

[54] **FORKED WRENCH**

[76] **Inventor: Bruce L. Strock, 3046 Camino
Graciosa St., Thousand Oaks, Calif.
91360**

[**] **Term: 14 Years**

[21] **Appl. No.: 27,023**

[22] **Filed: Mar. 10, 1987**

[52] **U.S. Cl. D8/17; D8/21;
D8/27**

[58] **Field of Search D8/14, 16-19,
D8/21-29; 81/177.1, 177.2, 177.75, 176.1, 119,
121.1, 124.2, 124.5, 125, 125.1**

[56] **References Cited**

U.S. PATENT DOCUMENTS

D. 186,131 9/1959 Wallace D8/27
1,770,621 7/1930 McElwee, Sr. et al. 81/125.1
2,421,665 6/1947 Umbdenstock 81/125.1

FOREIGN PATENT DOCUMENTS

126548 1/1932 Austria 81/124.2
511128 3/1955 Canada 81/119

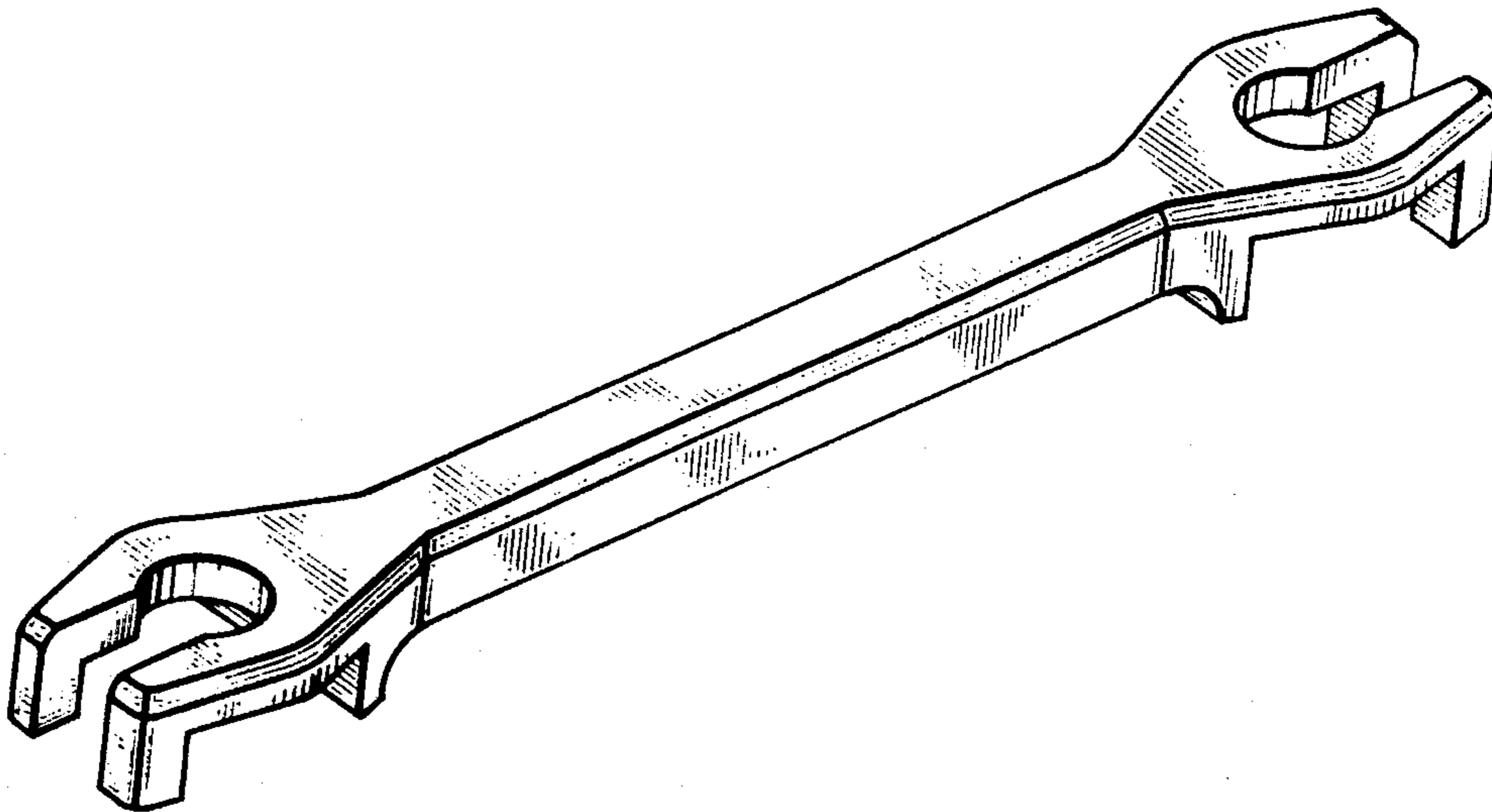
Primary Examiner—Bruce W. Dunkins
Assistant Examiner—Clare E. Heflin
Attorney, Agent, or Firm—Jack C. Munro

[57] **CLAIM**

The ornamental design for a forked wrench, as shown and described.

DESCRIPTION

FIG. 1 is an isometric view of the forked wrench showing my new design;
FIG. 2 is a front elevational view thereof, the rear view being identical;
FIG. 3 is a side elevational view thereof, the opposite side being identical;
FIG. 4 is a top plan view thereof;
FIG. 5 is a bottom plan view thereof.



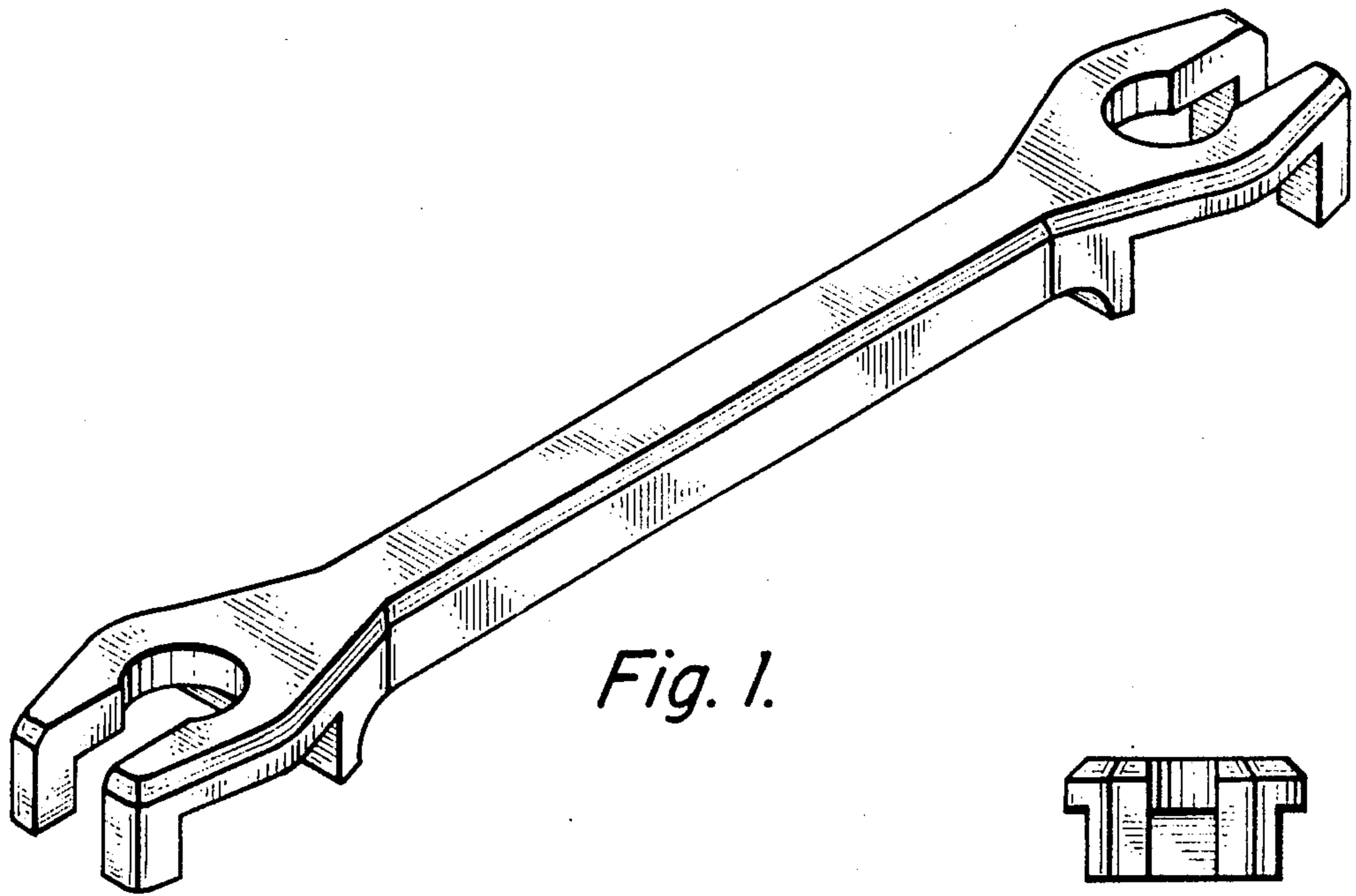


Fig. 1.



Fig. 2.

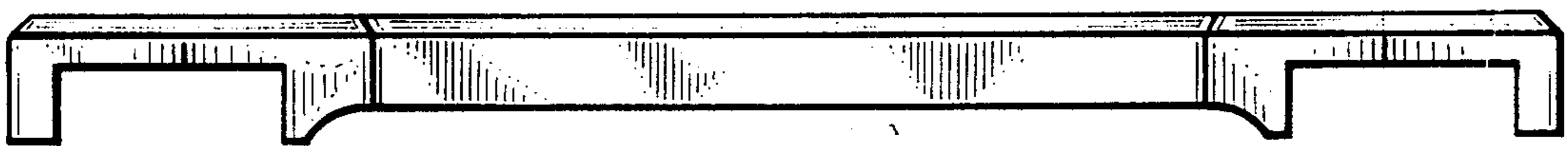


Fig. 3.



Fig. 4.

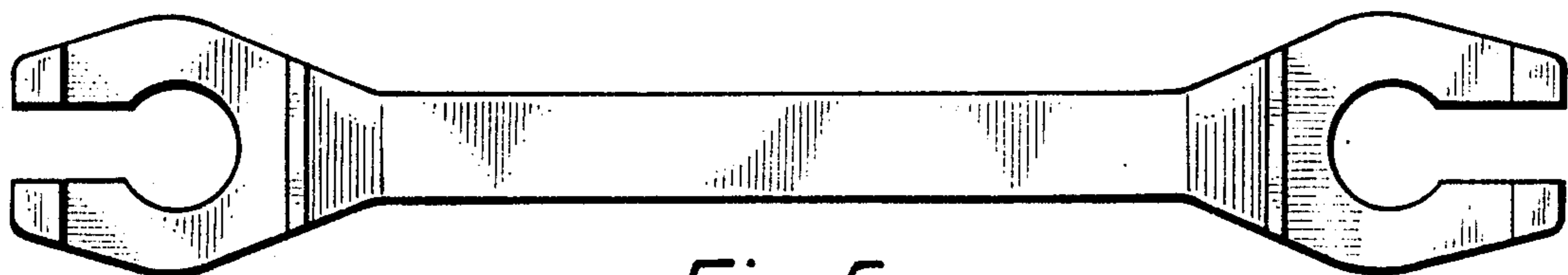


Fig. 5.