

[54] **ALE FONT**

[75] **Inventor: Michael J. Start, Poole, England**

[73] **Assignee: Homark Associates Limited, Dorset, England**

[**] **Term: 14 Years**

[21] **Appl. No.: 938,742**

[22] **Filed: Dec. 5, 1986**

[30] **Foreign Application Priority Data**

Jun. 11, 1986 [GB] United Kingdom 1034707
[52] **U.S. Cl. D7/313; D7/398**
[58] **Field of Search D7/398, 397, 308, 311, D7/313, 301, 300, 305; D23/231, 232, 234; D25/126, 129; D21/52**

[56]

References Cited

U.S. PATENT DOCUMENTS

D. 1,733 3/1863 Cromwell D23/232
D. 83,922 4/1931 Sakier D25/126 X
D. 88,350 11/1932 Green D7/313
D. 121,936 8/1940 Stephens D7/307
D. 228,823 10/1973 Oelschlaeger D7/397
D. 277,537 2/1985 Merl D7/398 X
1,408,397 2/1922 Ragsdale D7/398 X
2,262,043 11/1941 Perlick D7/398 X

Primary Examiner—Winifred E. Herrmann
Attorney, Agent, or Firm—Kenyon & Kenyon

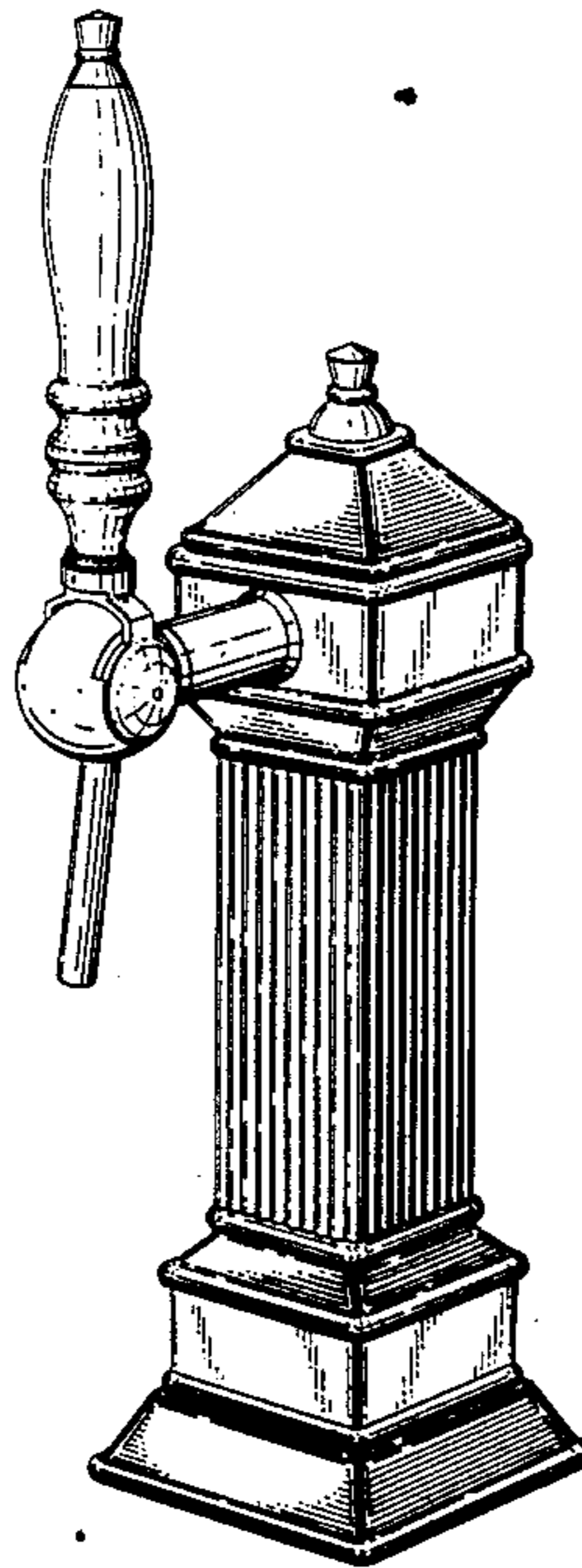
[57]

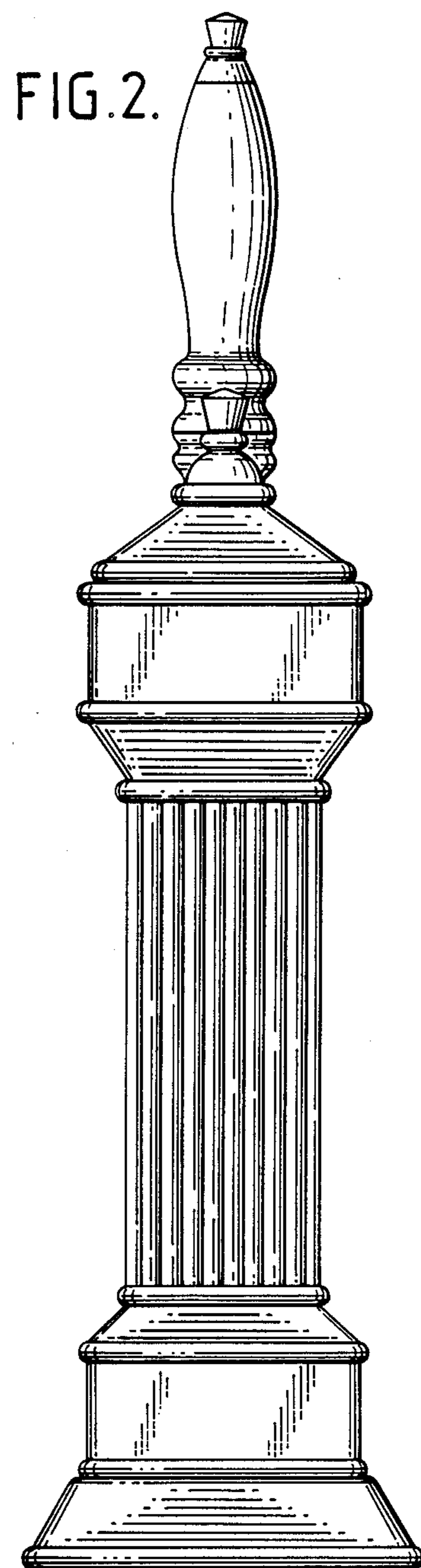
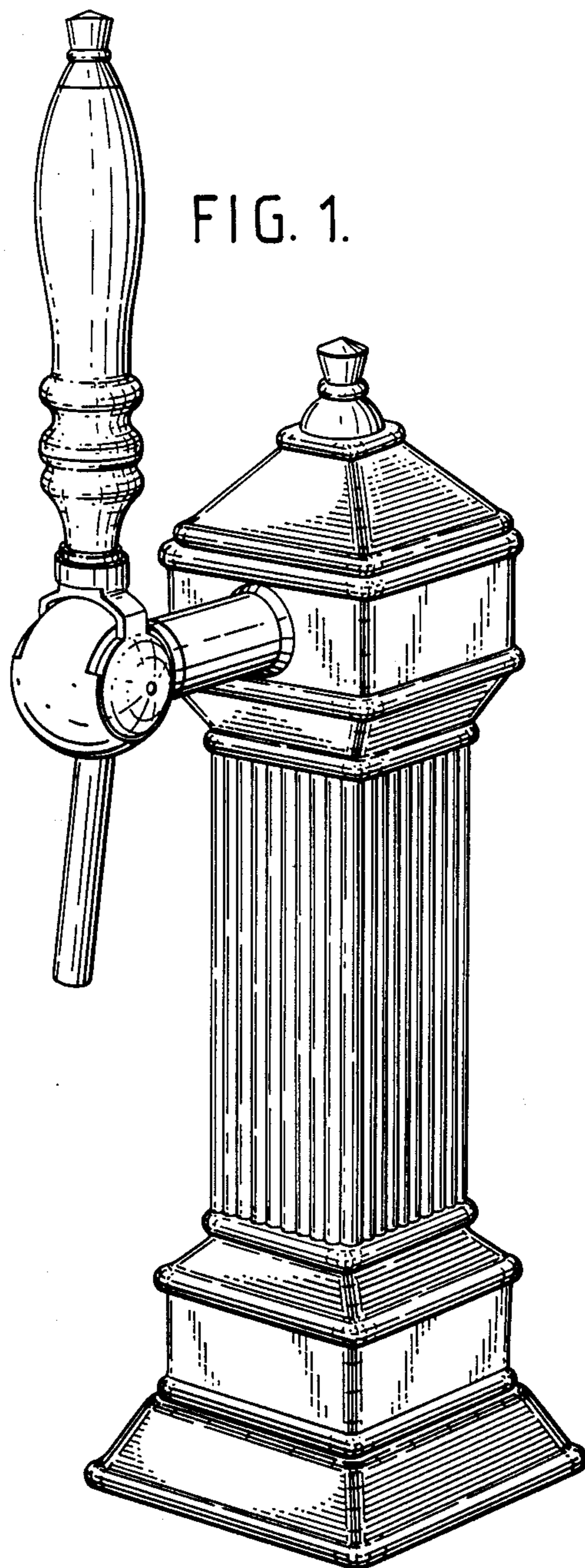
CLAIM

The ornamental design for an ale font, as shown and described.

DESCRIPTION

FIG. 1 is a right front perspective view of an ale font showing my new design;
FIG. 2 is a rear elevational view thereof;
FIG. 3 is a top plan view thereof; and
FIG. 4 is a left side elevational view thereof.





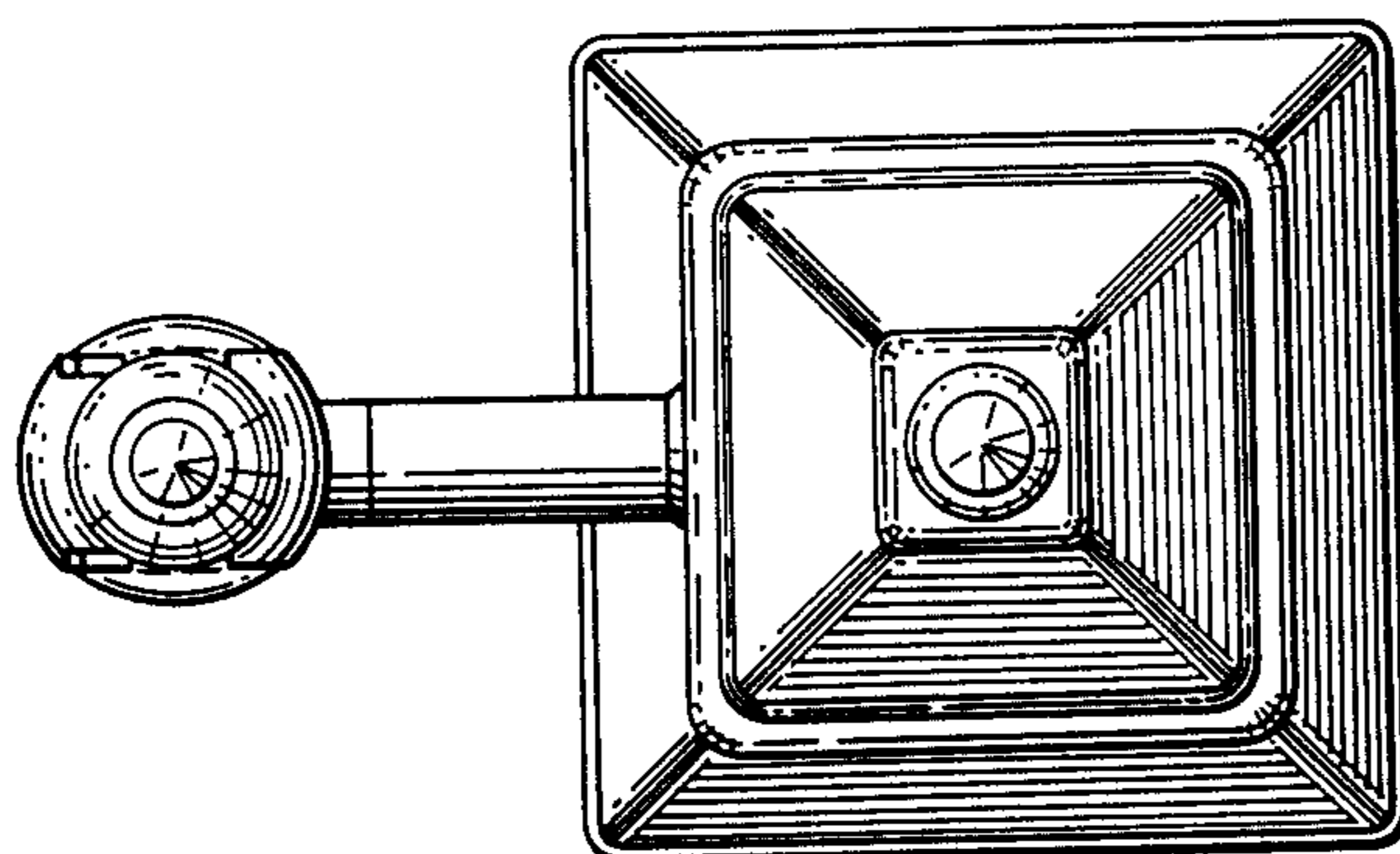


FIG. 3.

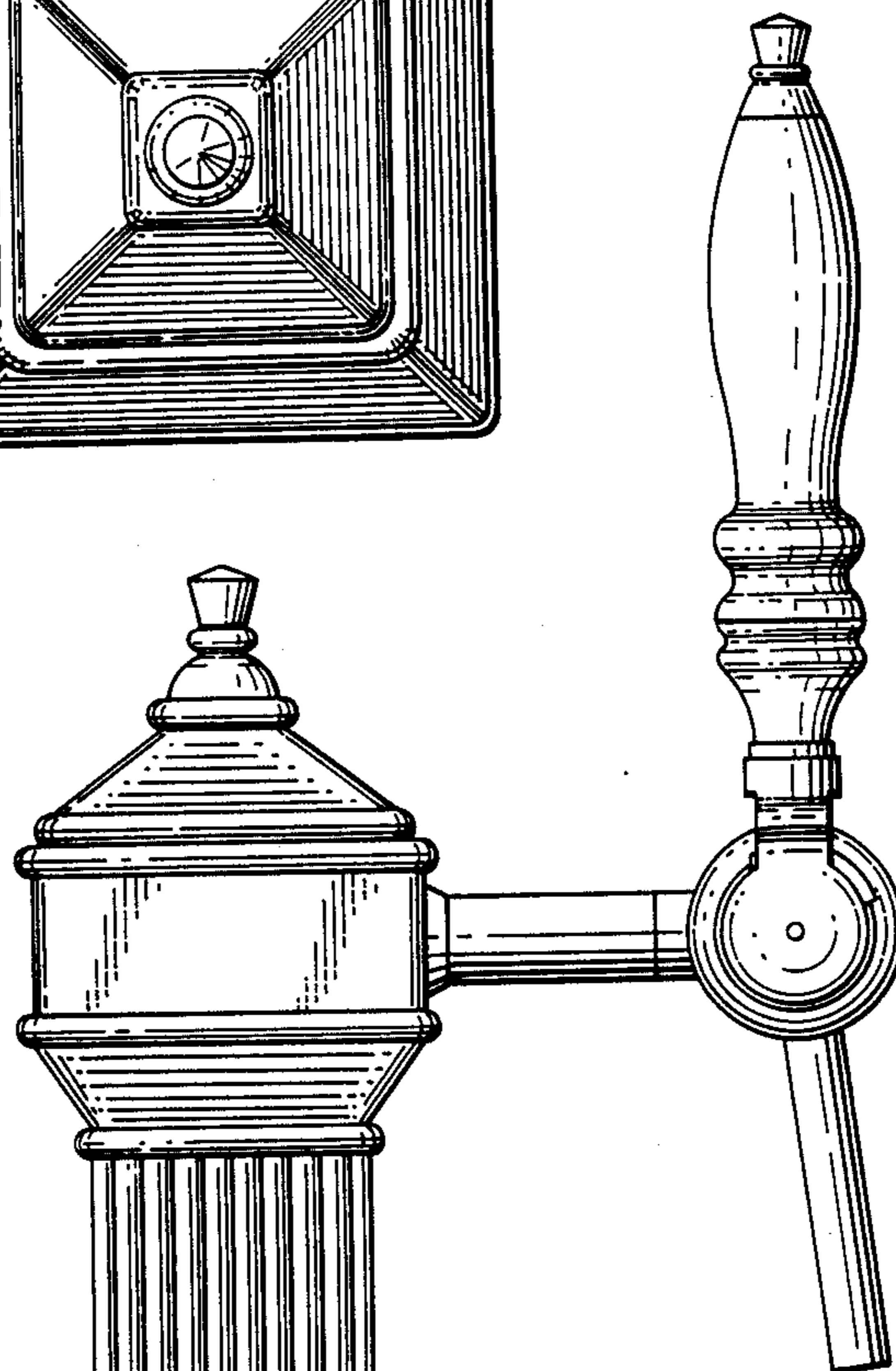


FIG. 4.