

[54] **COMBINATION JUICE RESERVOIR AND DISPENSER**

[76] **Inventor: Robert F. Tunila, 22392 Rippling Brook, El Toro, Calif. 92647**

[**] **Term: 14 Years**

[21] **Appl. No.: 825,858**

[22] **Filed: Feb. 4, 1986**

Related U.S. Application Data

[63] **Continuation-in-part of Ser. No. 551,952, Nov. 15, 1983, abandoned.**

[52] **U.S. Cl. D7/397**

[58] **Field of Search D7/397, 313; 222/527, 222/529, 530; D23/202, 207; D9/349, 350, 352, 390, 399, 327; D34/7**

[56] **References Cited**

U.S. PATENT DOCUMENTS

2,326,420 8/1943 Vukasinovich D7/313 X

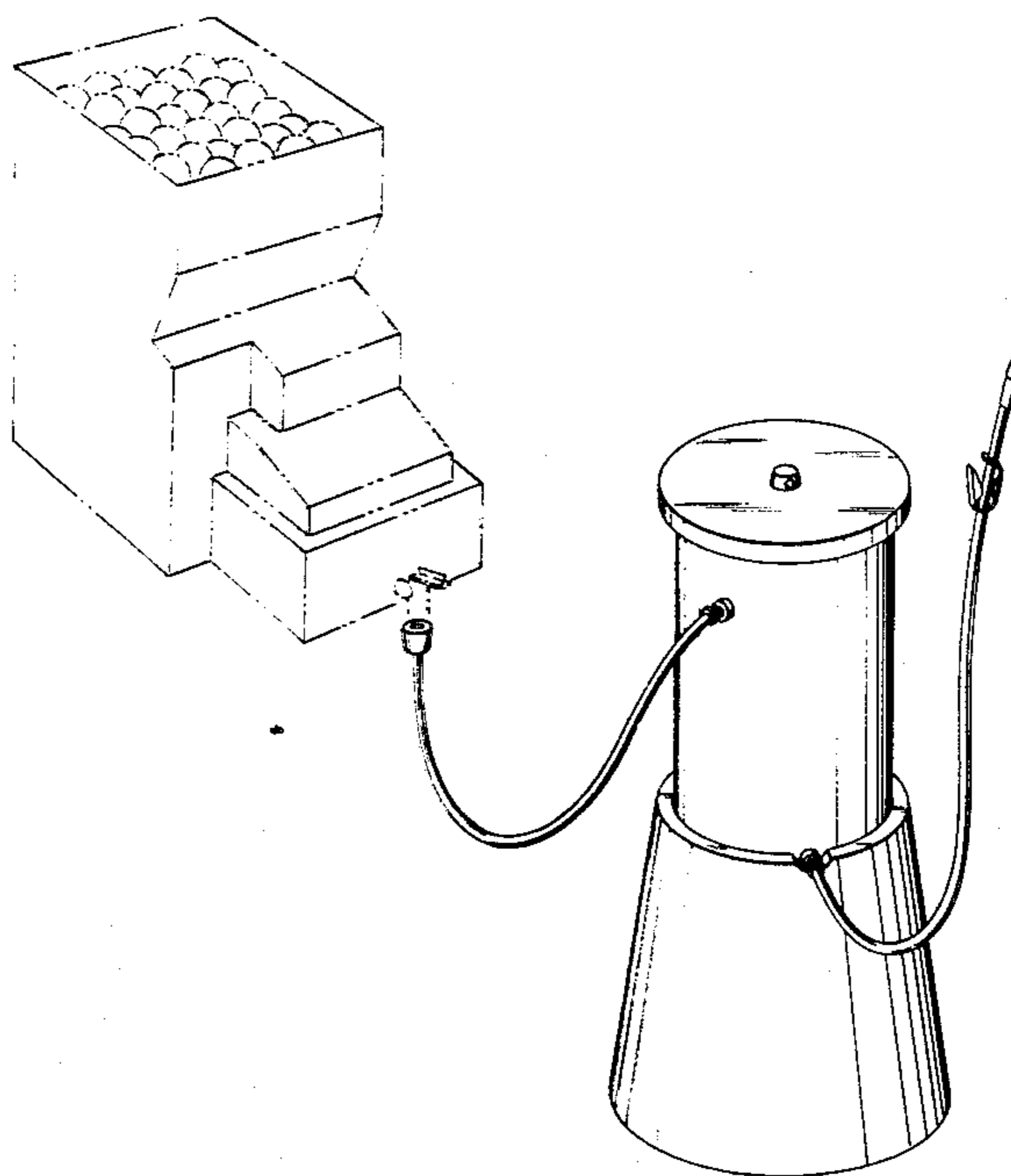
Primary Examiner—Bernard Ansher
Assistant Examiner—Terry A. Pfeffer
Attorney, Agent, or Firm—Stetina and Brunda

[57] **CLAIM**

The ornamental design for a combination juice reservoir and dispenser, as shown and described.

DESCRIPTION

FIG. 1 is a perspective view of a combination juice reservoir and dispenser showing my new design, the broken lines shown for illustrative purposes only; FIG. 2 is a bottom plan thereof; FIG. 3 is a left side elevational view thereof; and FIG. 4 is a rear elevational view thereof.



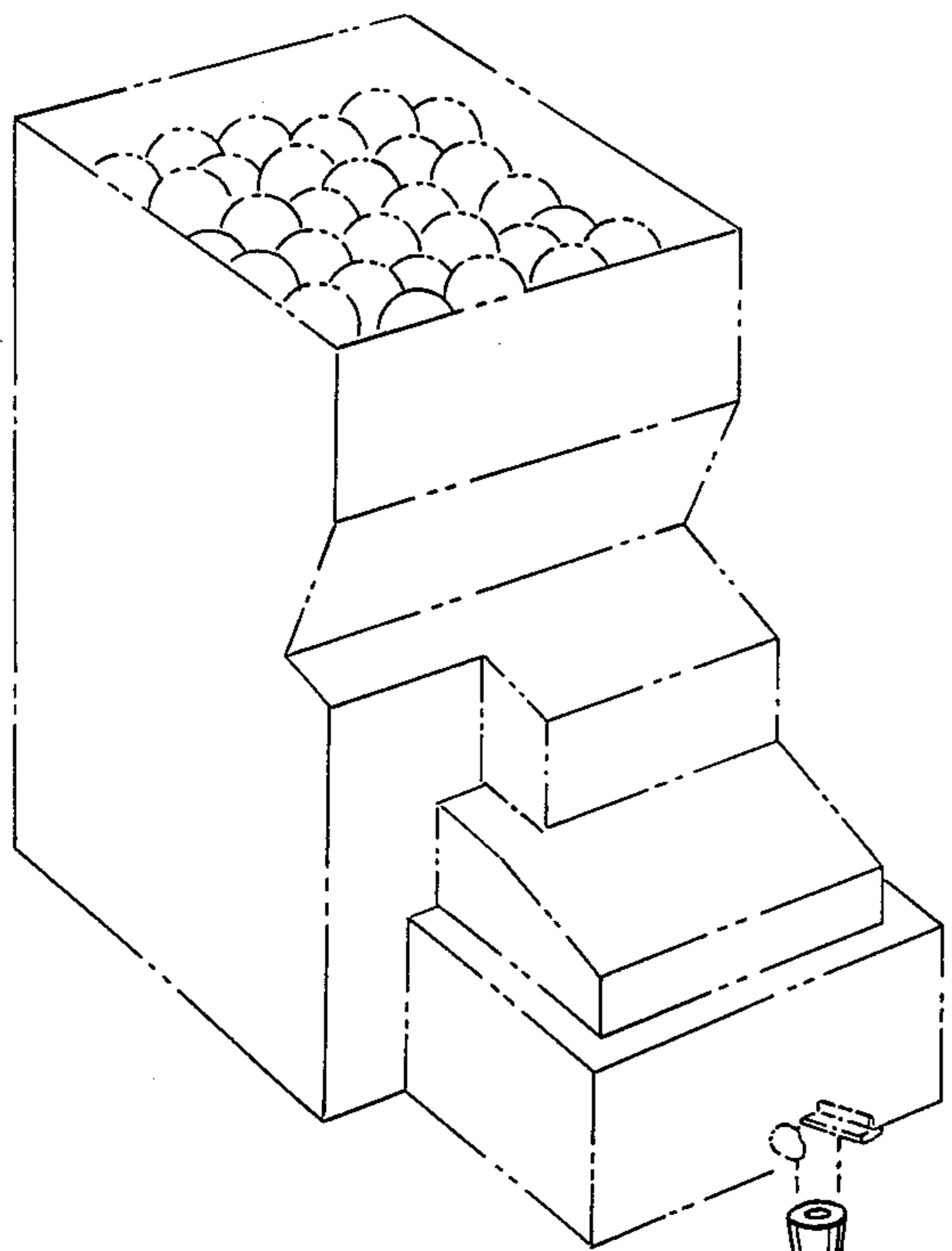


Fig. 1

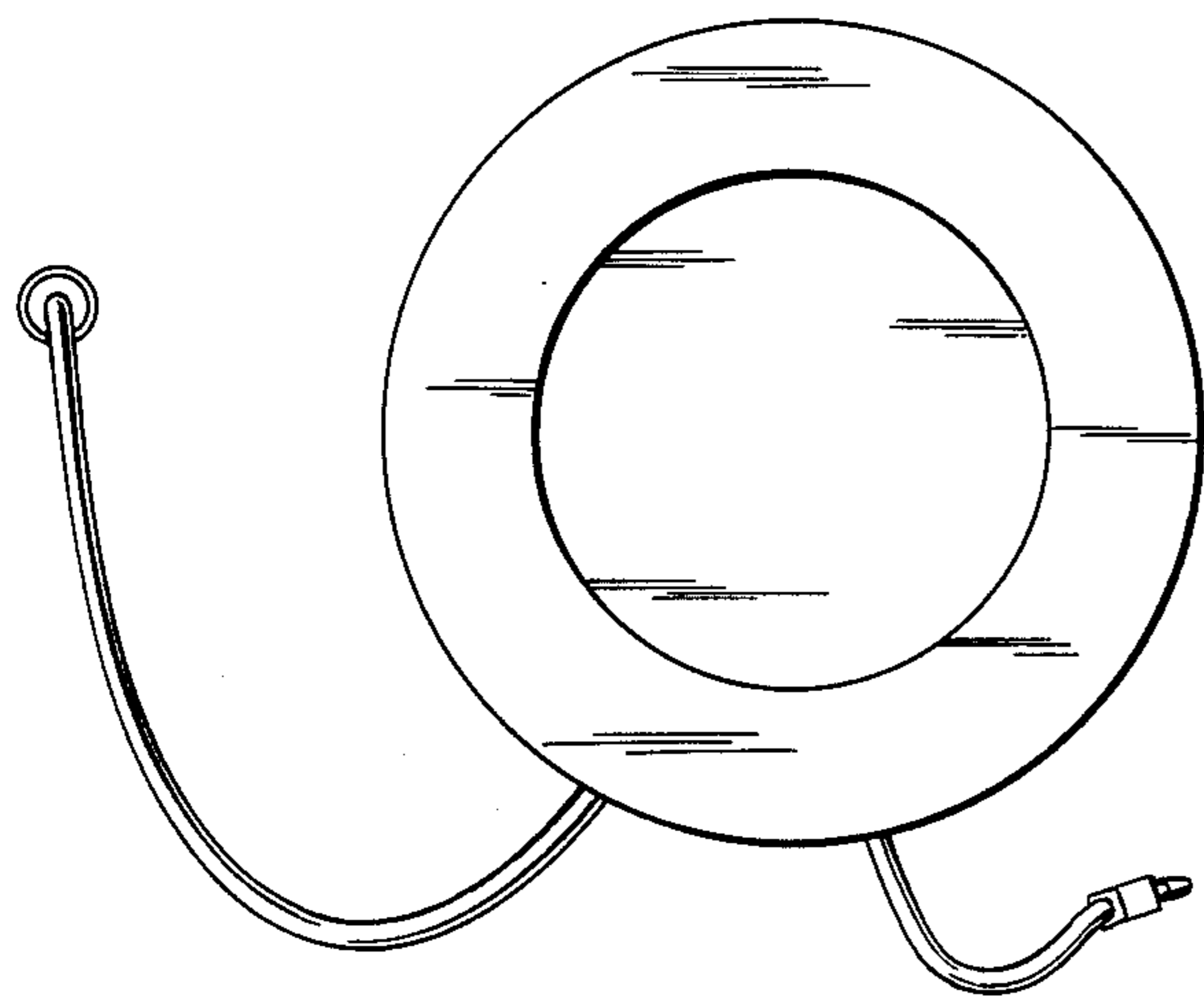
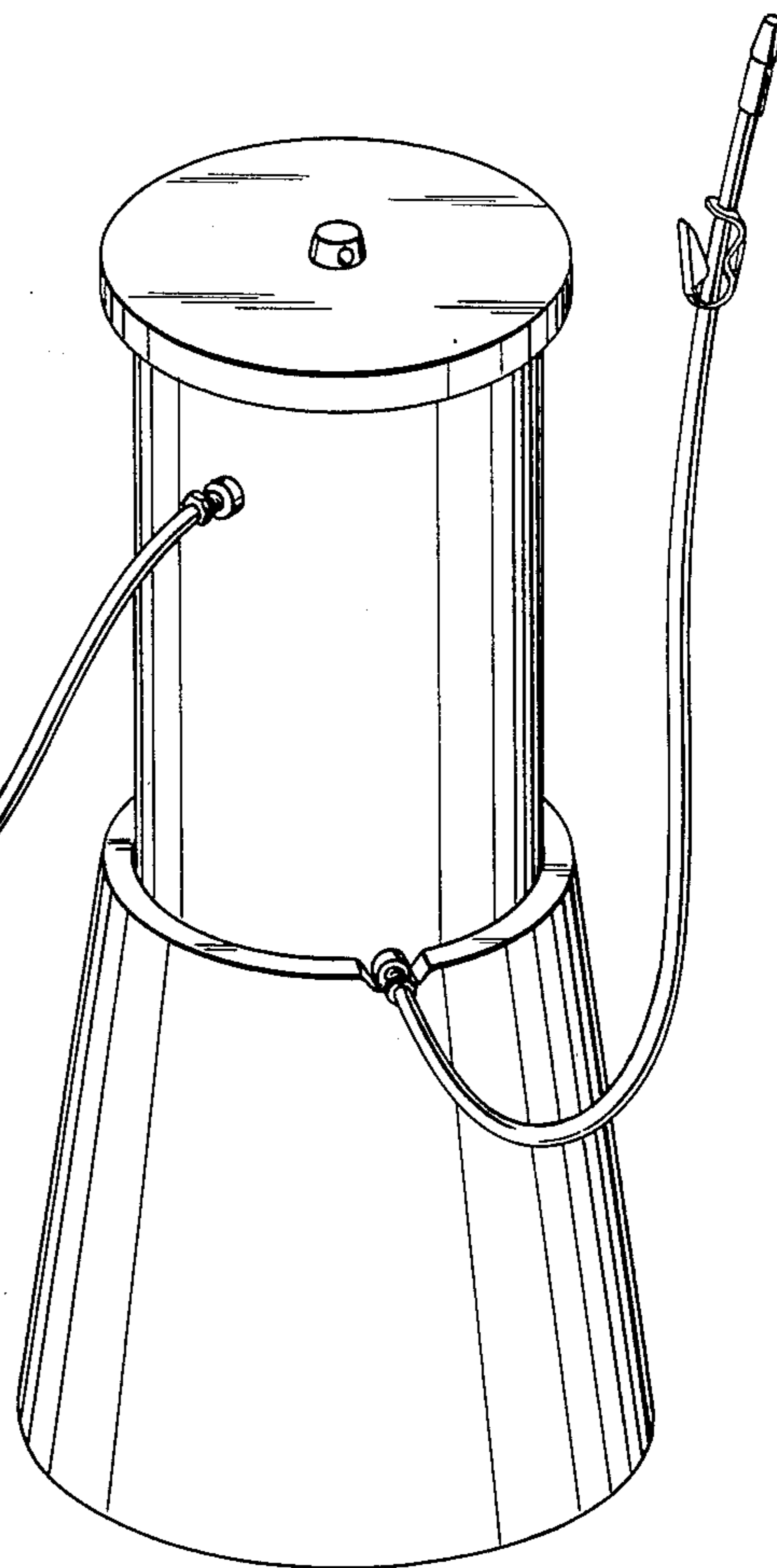


Fig. 2

Fig. 3

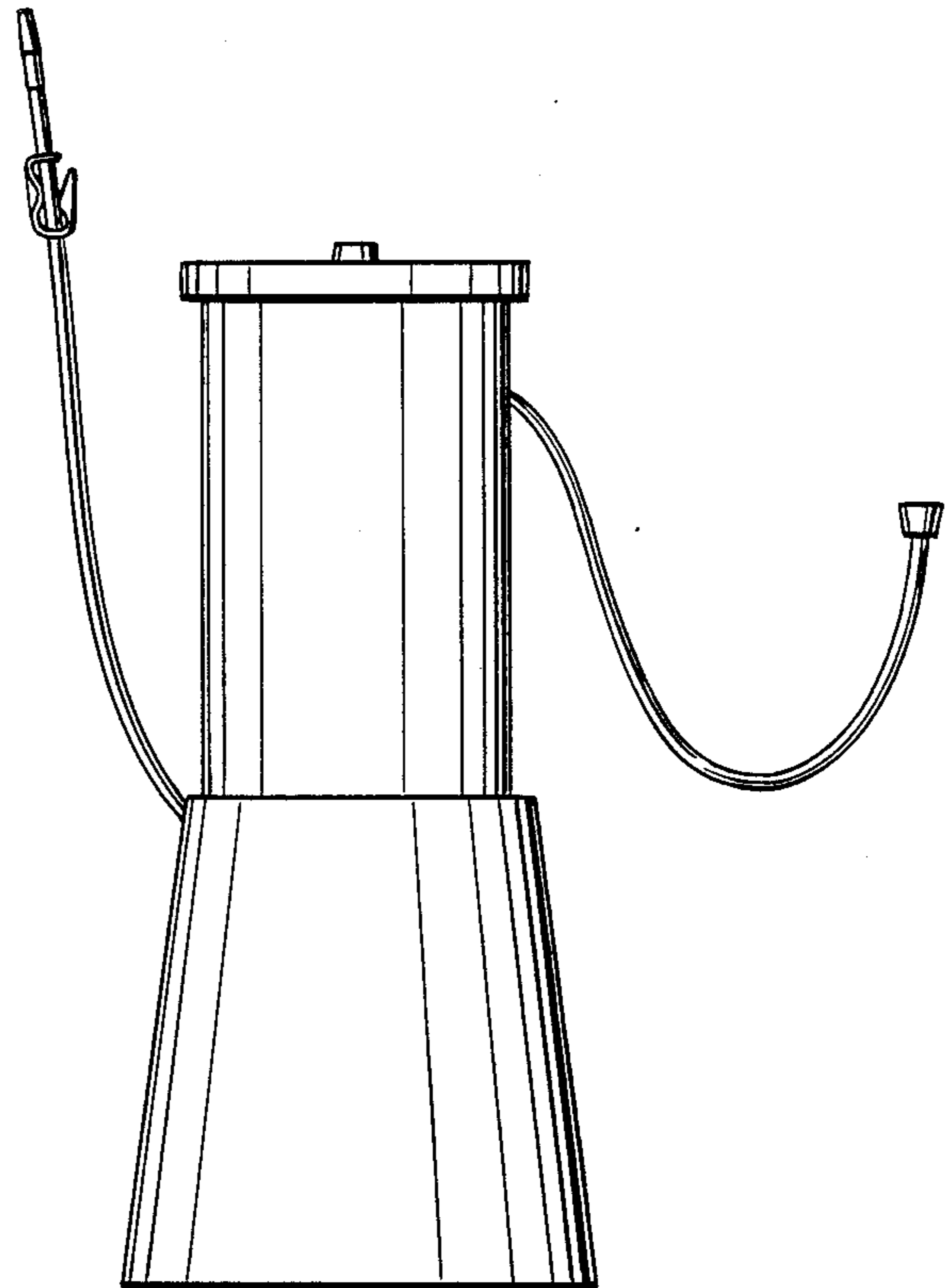
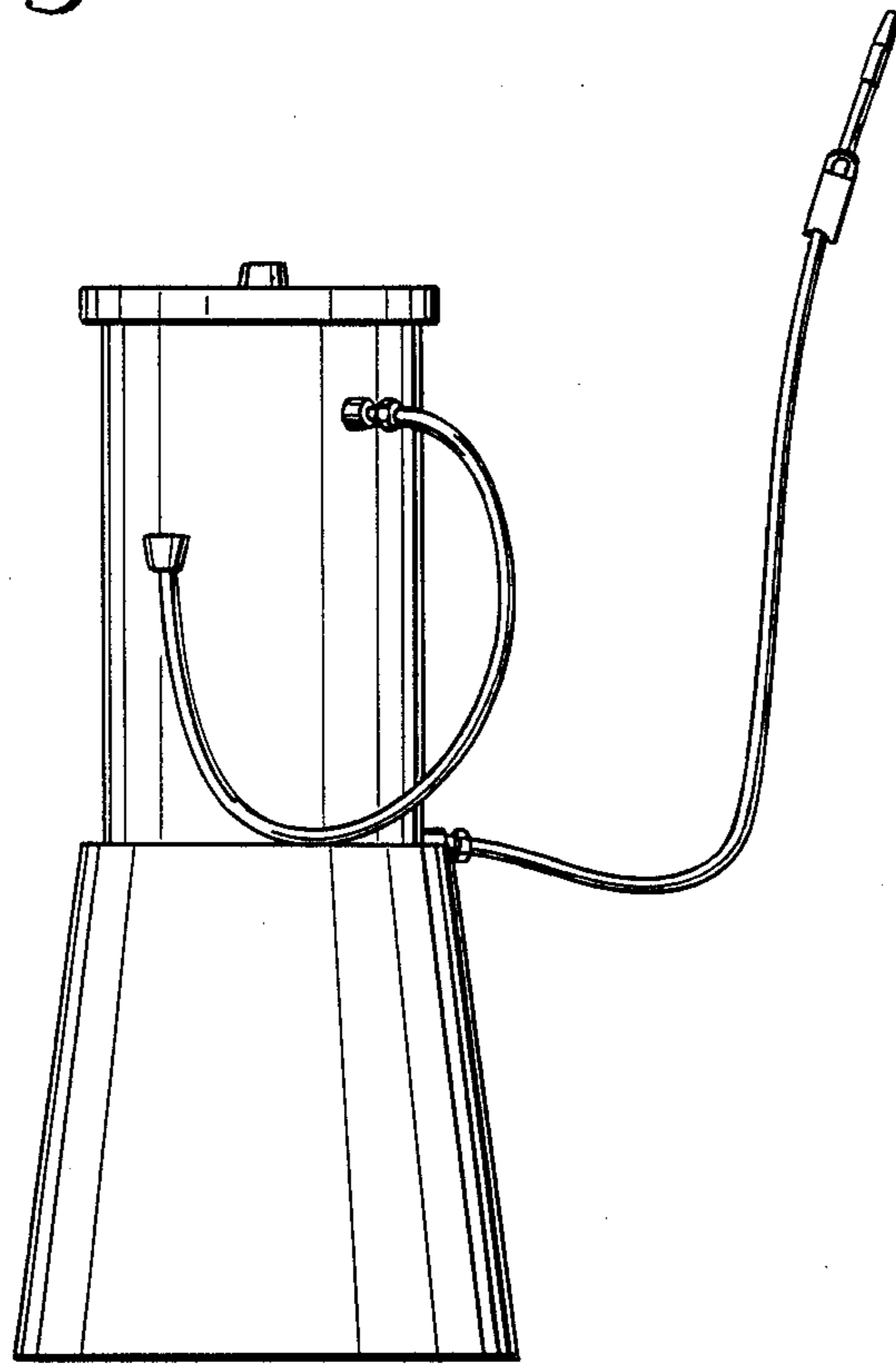


Fig. 4