

[54] **MICROWAVE OVEN**

[75] **Inventor: Seung H. Yoo, Buchon, Rep. of Korea**

[73] **Assignee: Gold Star Co., Ltd., Seoul, Rep. of Korea**

[*] **Notice: The portion of the term of this patent subsequent to Aug. 30, 2002 has been disclaimed.**

[**] **Term: 14 Years**

[21] **Appl. No.: 16,178**

[22] **Filed: Feb. 18, 1987**

[30] **Foreign Application Priority Data**

Aug. 27, 1986 [KR] Rep. of Korea Des.86-12208
[52] **U.S. Cl. D7/351**
[58] **Field of Search D7/350, 351; 219/10.55 R, 10.55 A-10.55 D, 10.55 F**

[56] **References Cited**

U.S. PATENT DOCUMENTS

D. 280,063 8/1985 Choi D7/351
D. 285,893 9/1986 Mizuma et al. D7/351
D. 295,358 4/1988 Kubo et al. D7/351
D. 297,392 8/1988 Han D7/351

FOREIGN PATENT DOCUMENTS

2055280 2/1981 United Kingdom D7/351

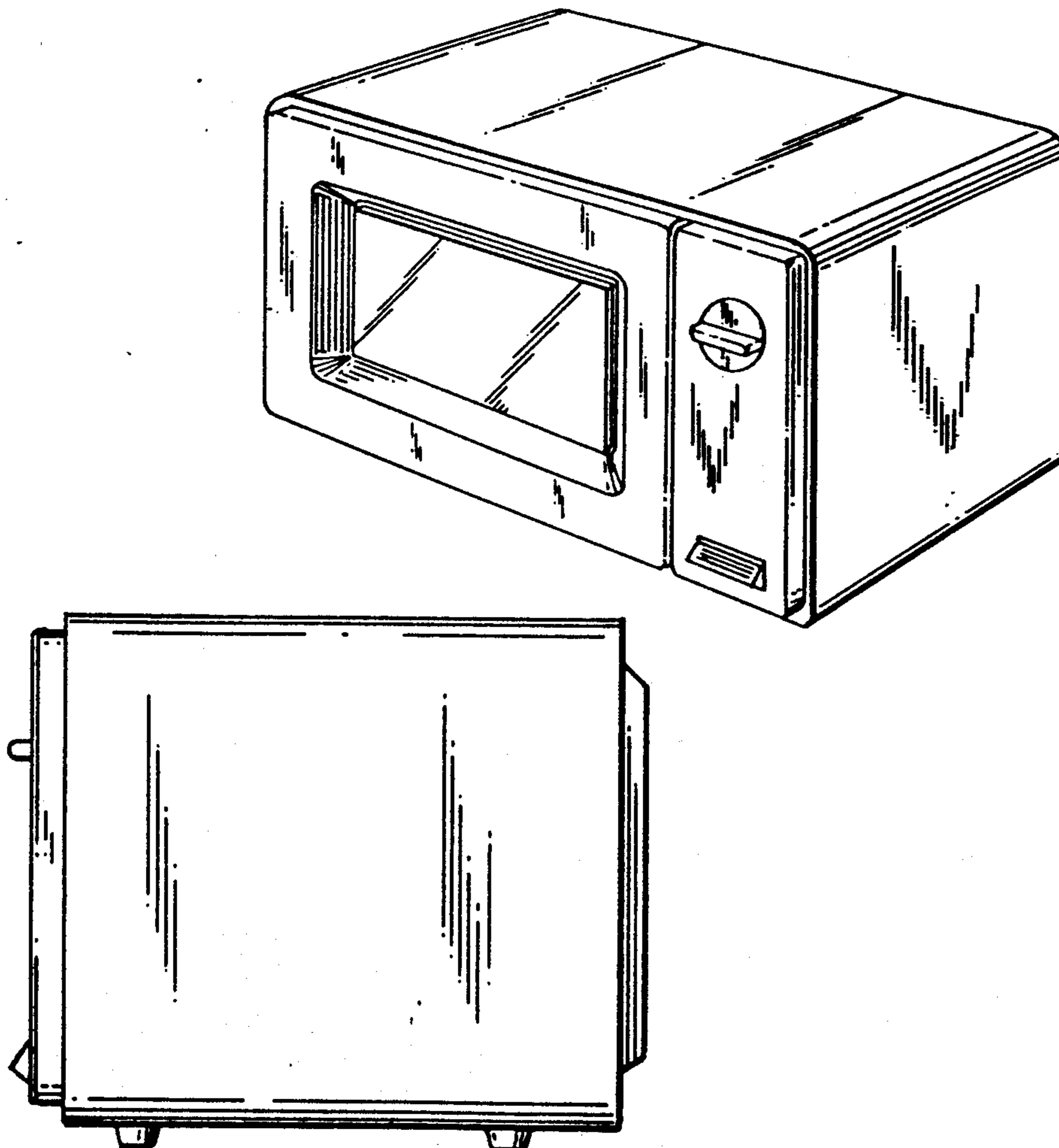
Primary Examiner—Bruce W. Dunkins
Assistant Examiner—R. Takemoto
Attorney, Agent, or Firm—Birch, Stewart, Kolasch & Birch

[57] **CLAIM**

The ornamental design for a microwave oven, as shown and described.

DESCRIPTION

FIG. 1 is a top, front and right side perspective view of a microwave oven showing my new design; FIG. 2 is a top plan view thereof; FIG. 3 is a front elevational view thereof; FIG. 4 is a bottom plan view thereof; FIG. 5 is a rear elevational view thereof; FIG. 6 is a right side elevational view thereof; and FIG. 7 is a left side elevational view thereof.



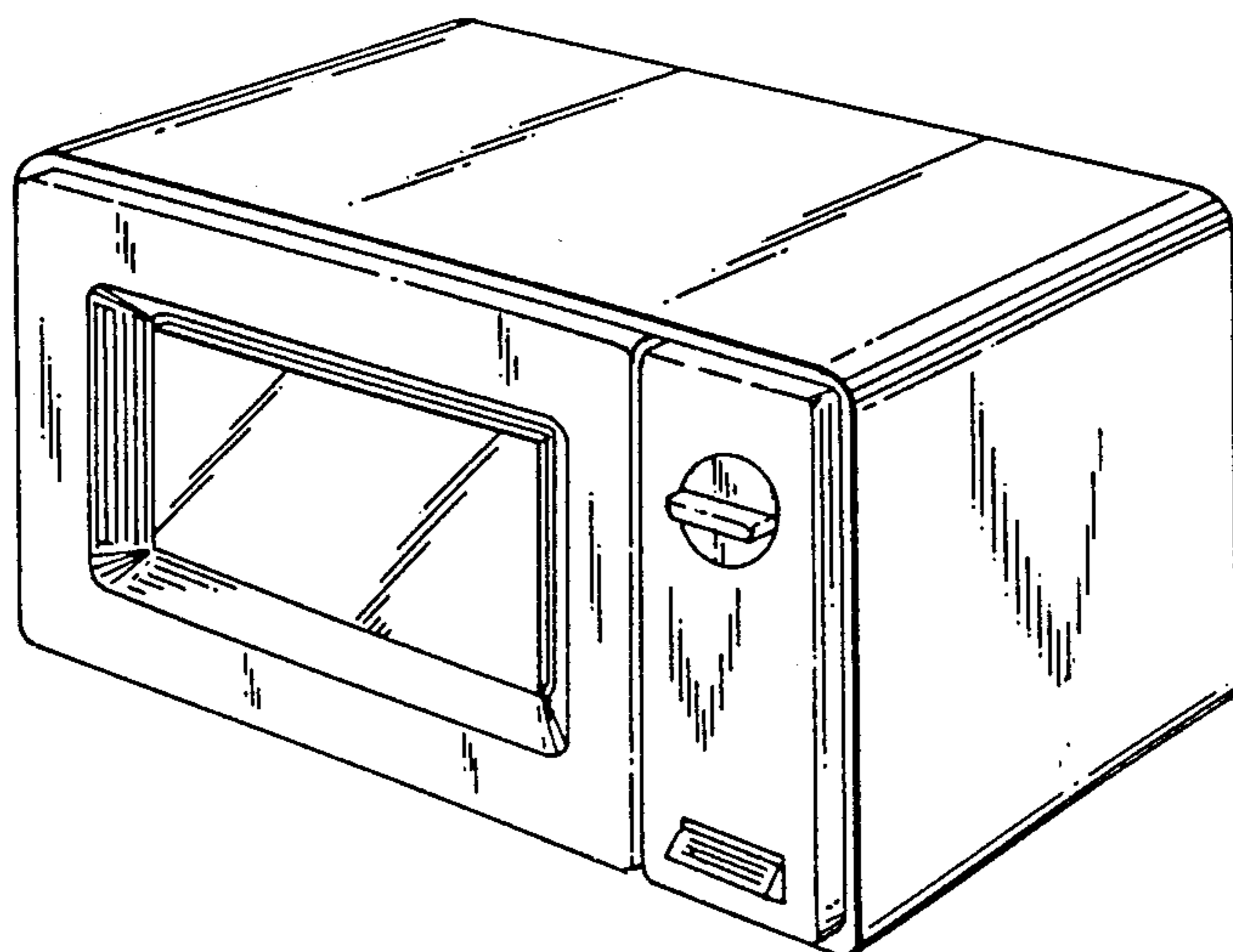


FIG. 1

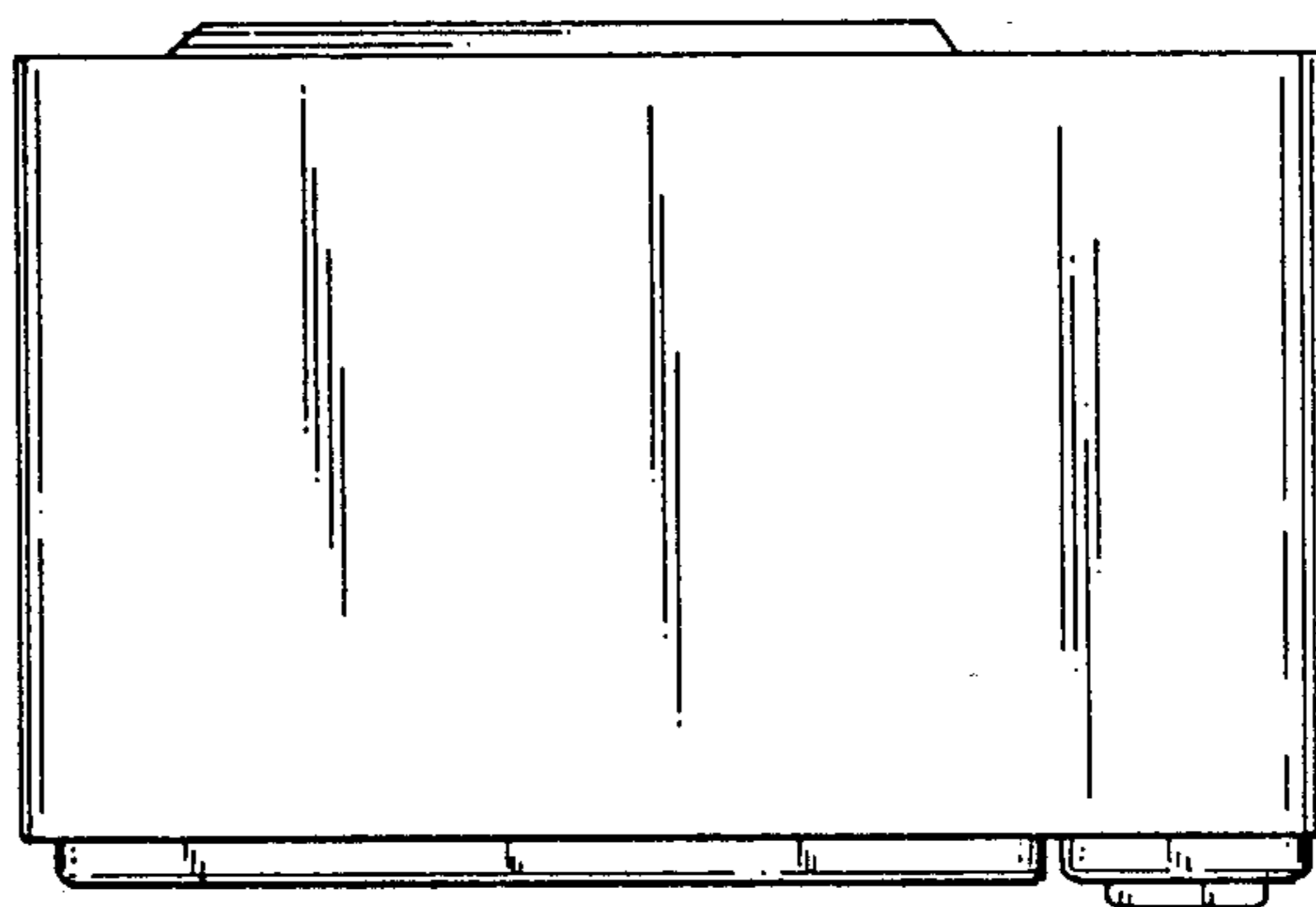


FIG. 2

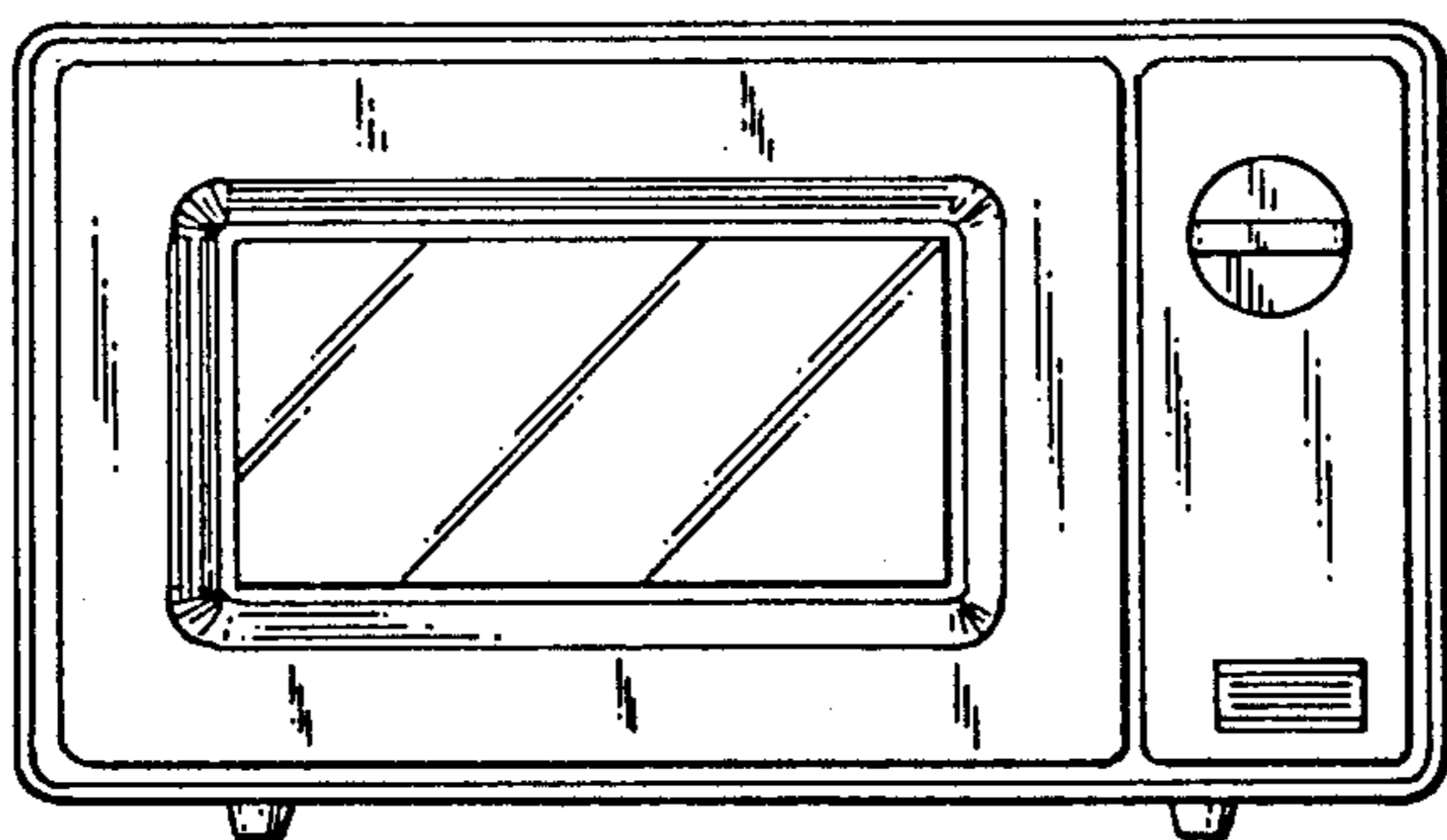


FIG. 3

FIG. 4

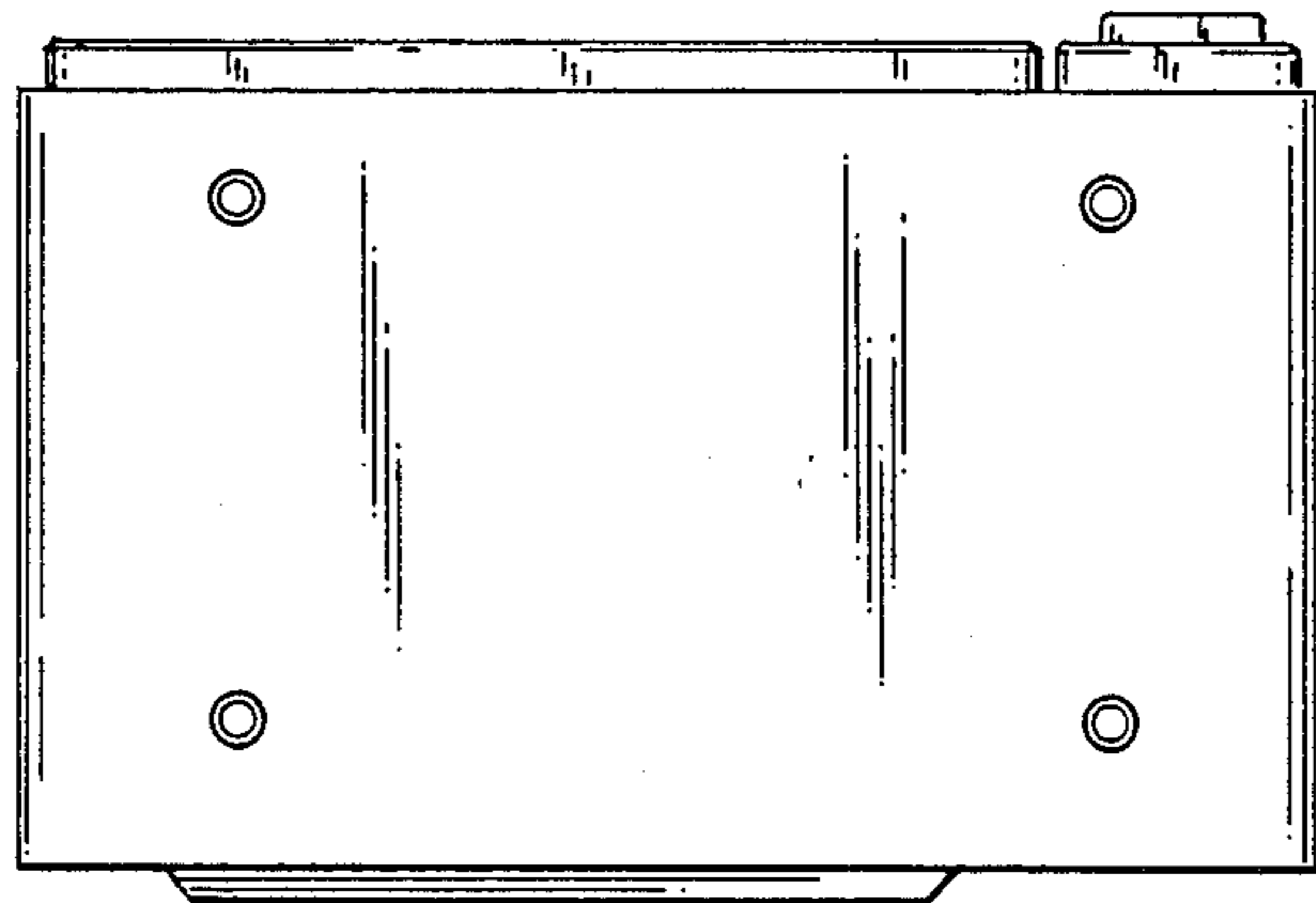


FIG. 5

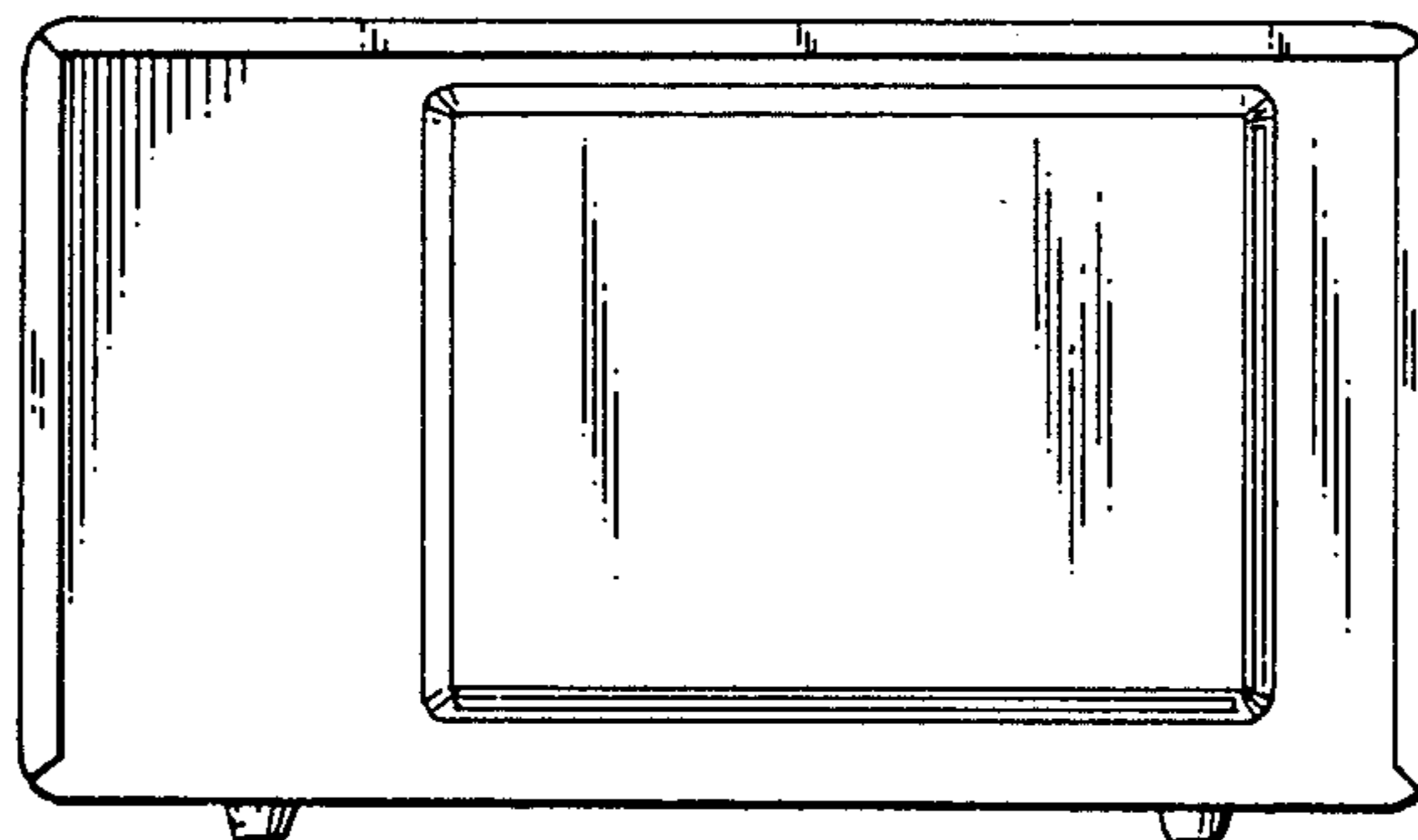


FIG. 6

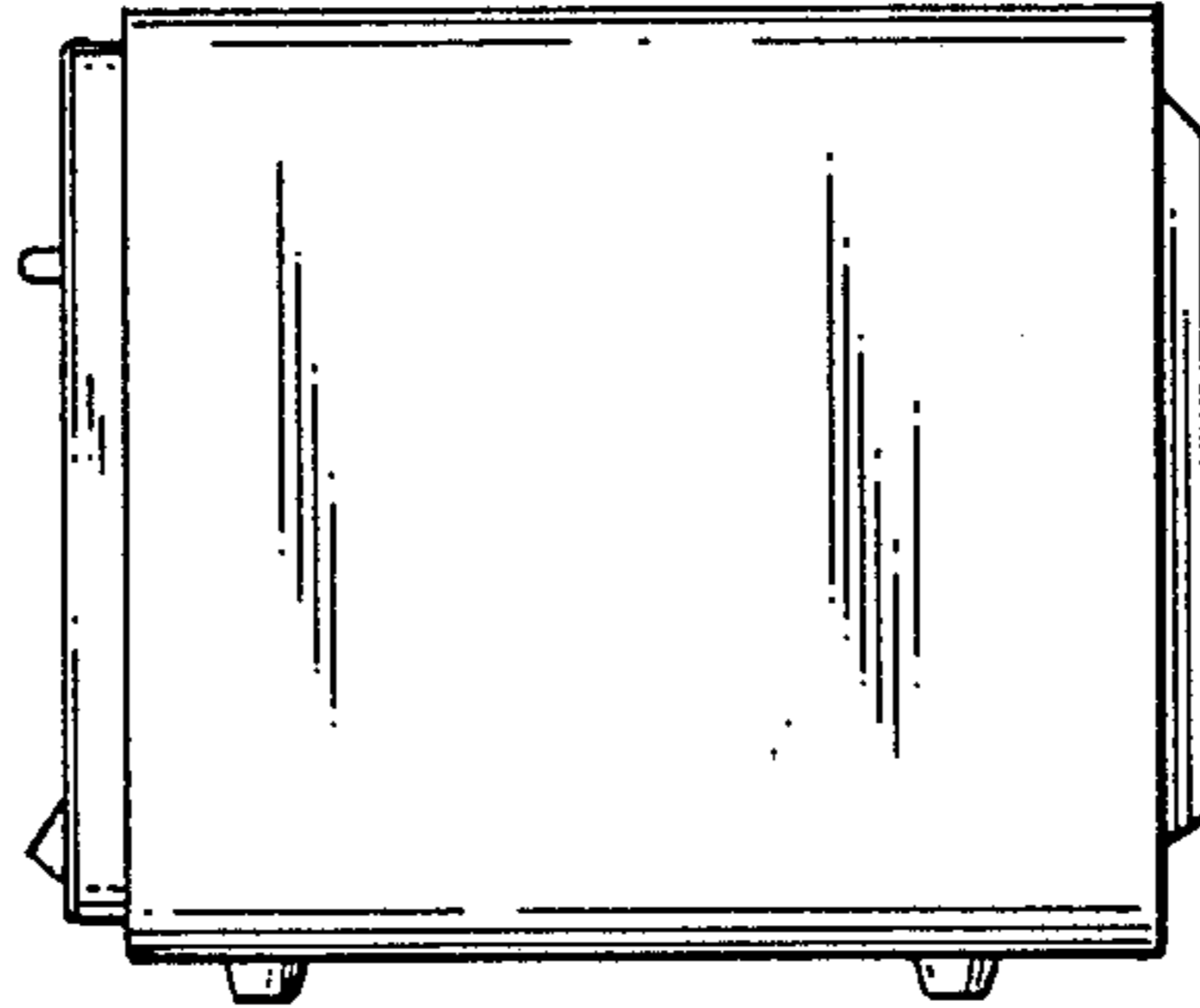


FIG. 7

