

[54] **NAPKIN HOLDER**

[76] **Inventor: Lester C. Lynch, 8 River St.,  
Cressona, Pa. 17929**

[\*\*] **Term: 14 Years**

[21] **Appl. No.: 112,761**

[22] **Filed: Oct. 26, 1987**

[52] **U.S. Cl. .... D7/72**

[58] **Field of Search ..... D7/72; 211/51, 59.3**

[56] **References Cited**

**U.S. PATENT DOCUMENTS**

D. 178,655 9/1956 Fresco ..... D7/72  
3,473,672 10/1969 Fincher ..... D7/72 X

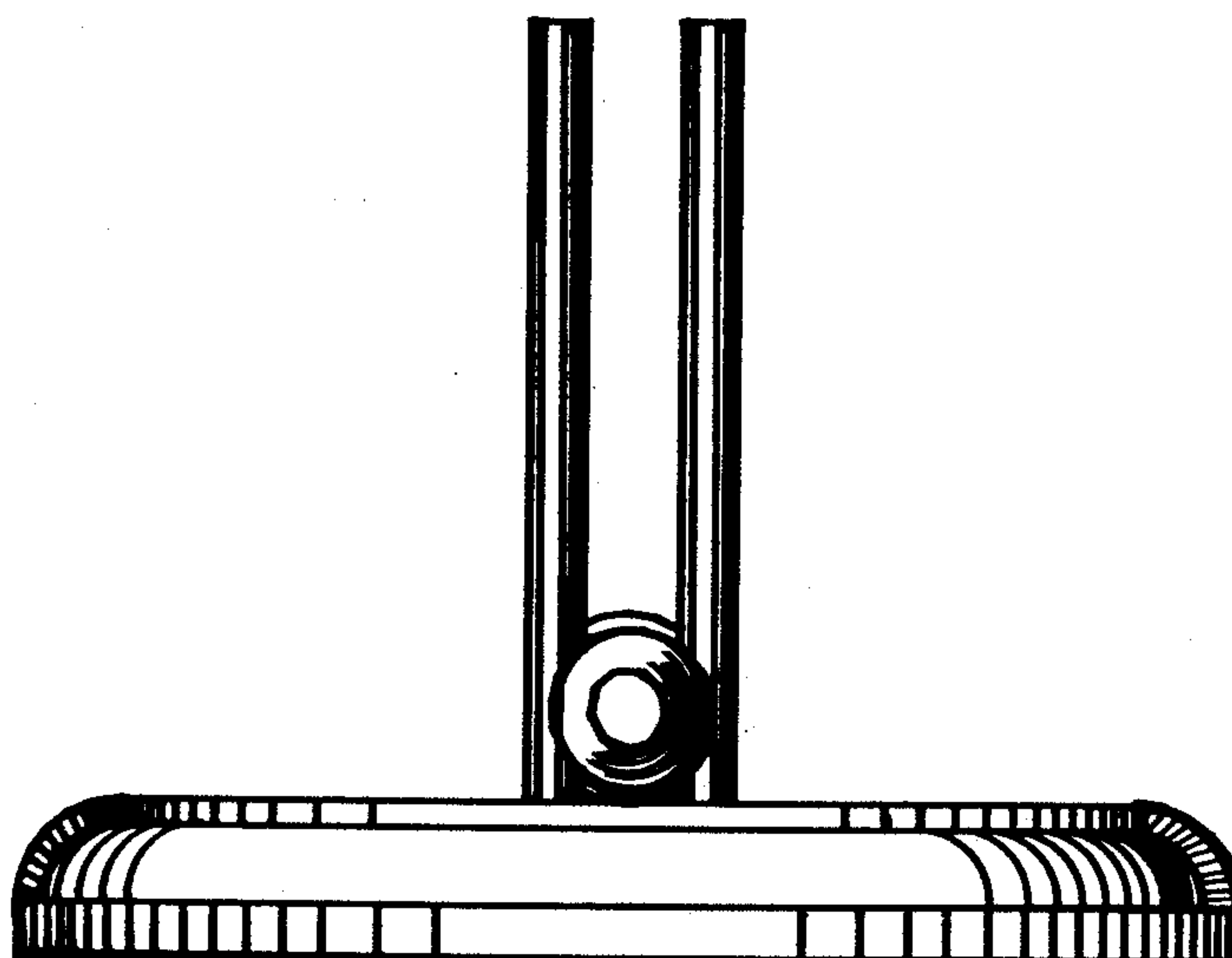
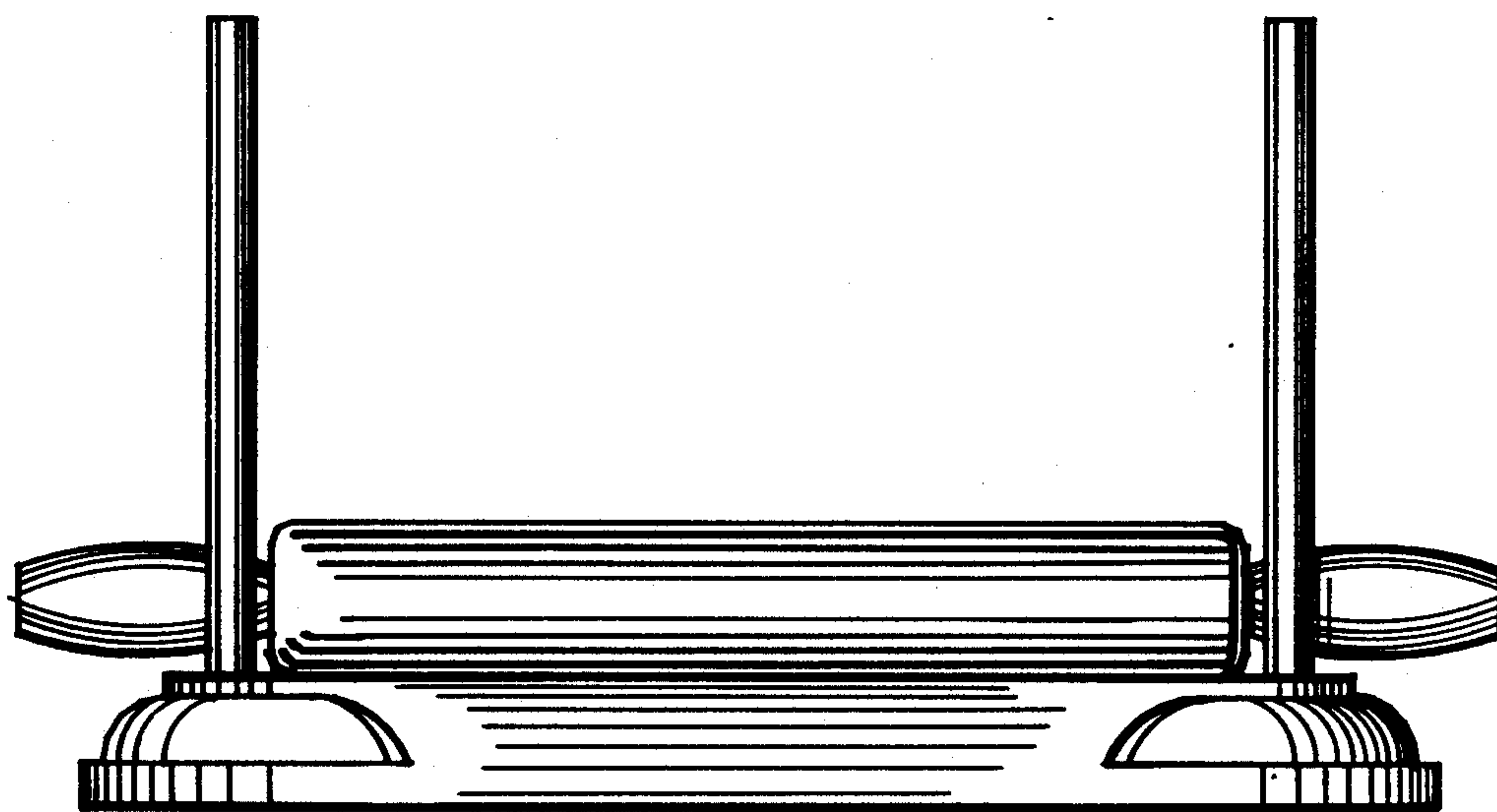
*Primary Examiner*—Bernard Ansher  
*Assistant Examiner*—Terry A. Pfeffer  
*Attorney, Agent, or Firm*—Jerry T. Kearns

[57] **CLAIM**

The ornamental design for a napkin holder, as shown and described.

**DESCRIPTION**

FIG. 1 is a front elevational view of a napkin holder showing my new design;  
FIG. 2 is a rear elevational view thereof;  
FIG. 3 is a left side elevational view thereof;  
FIG. 4 is a right side elevational view thereof;  
FIG. 5 is a top plan view thereof; and,  
FIG. 6 is a bottom plan view thereof.



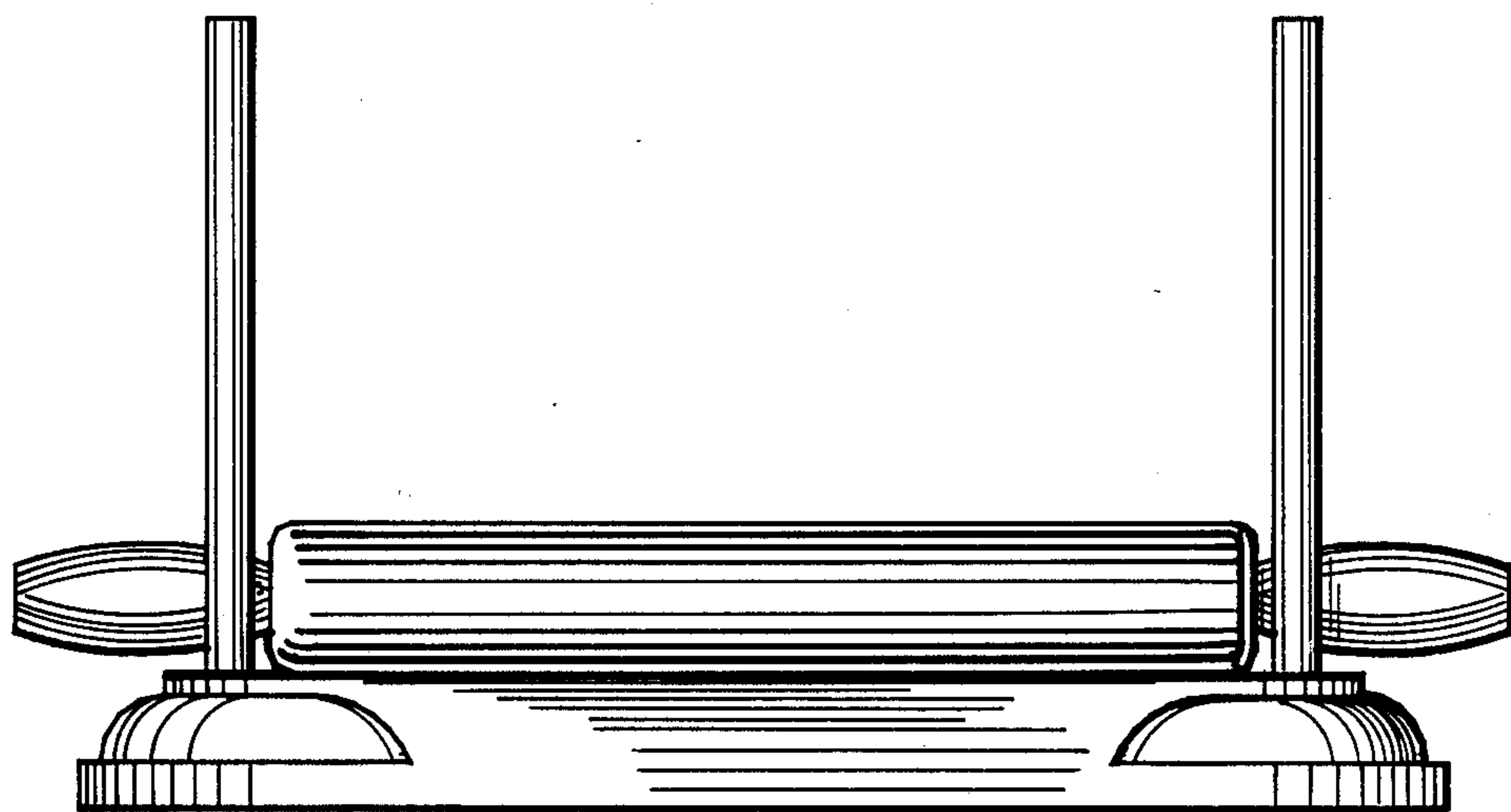


Fig. 1

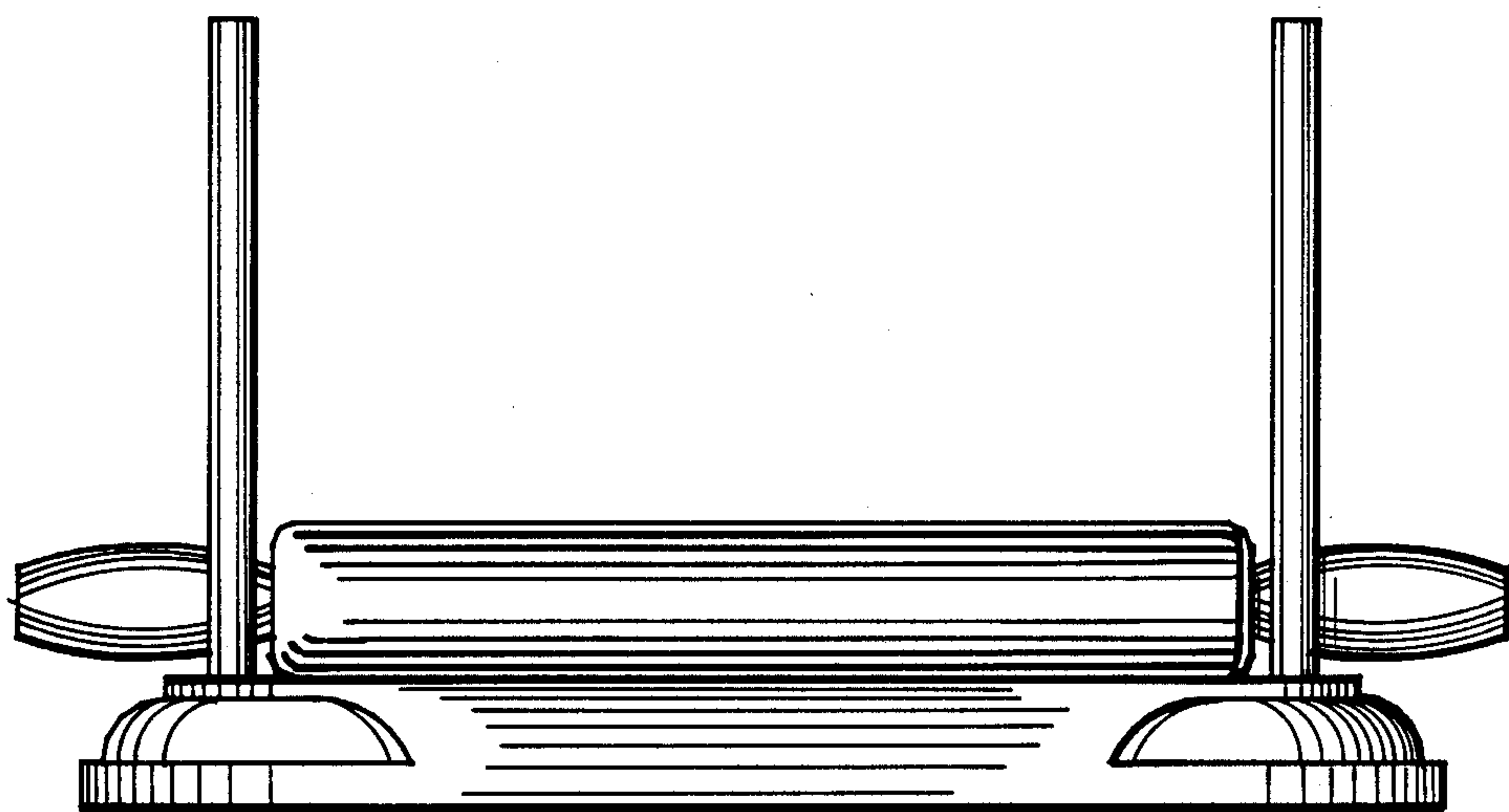


Fig. 2

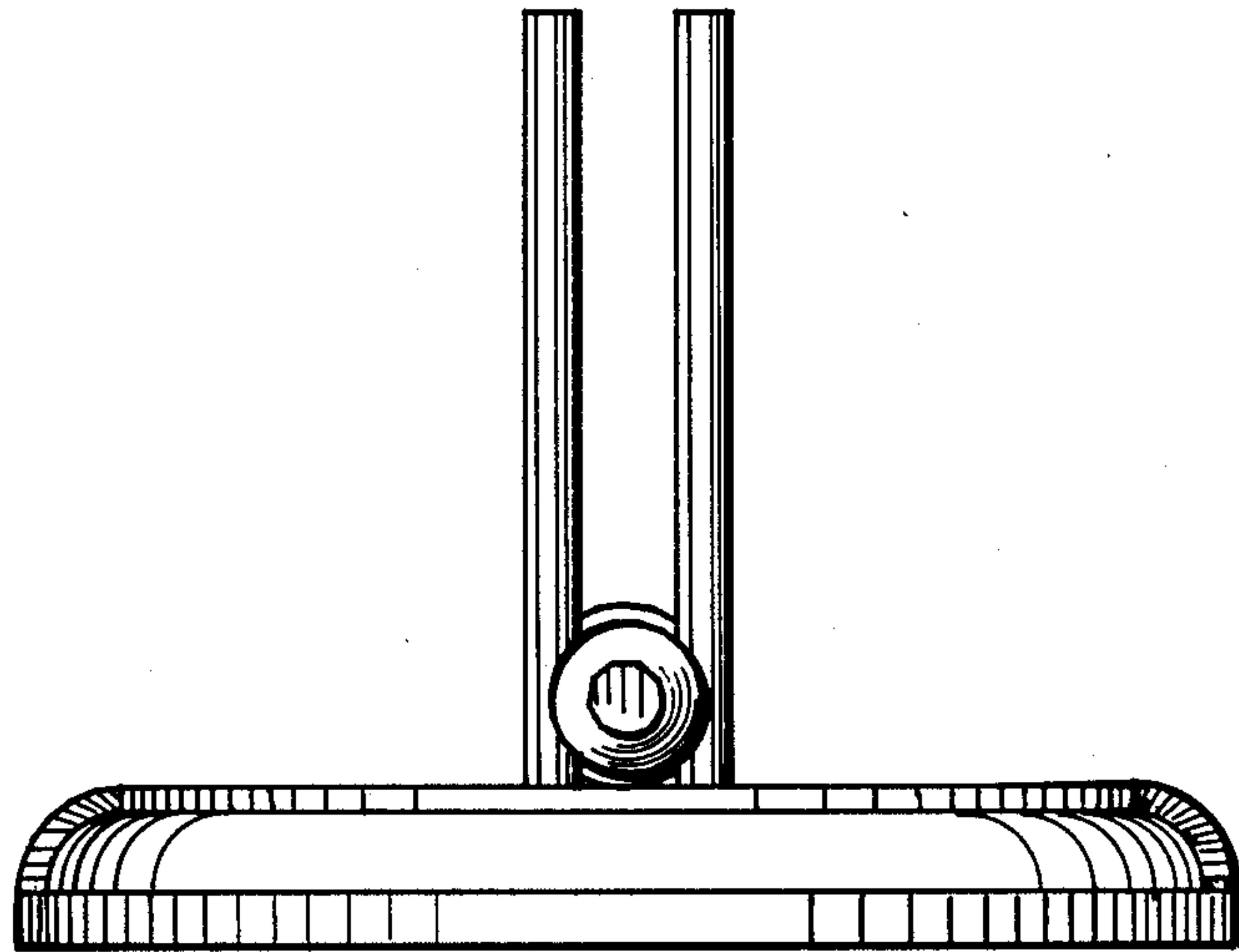


Fig. 3

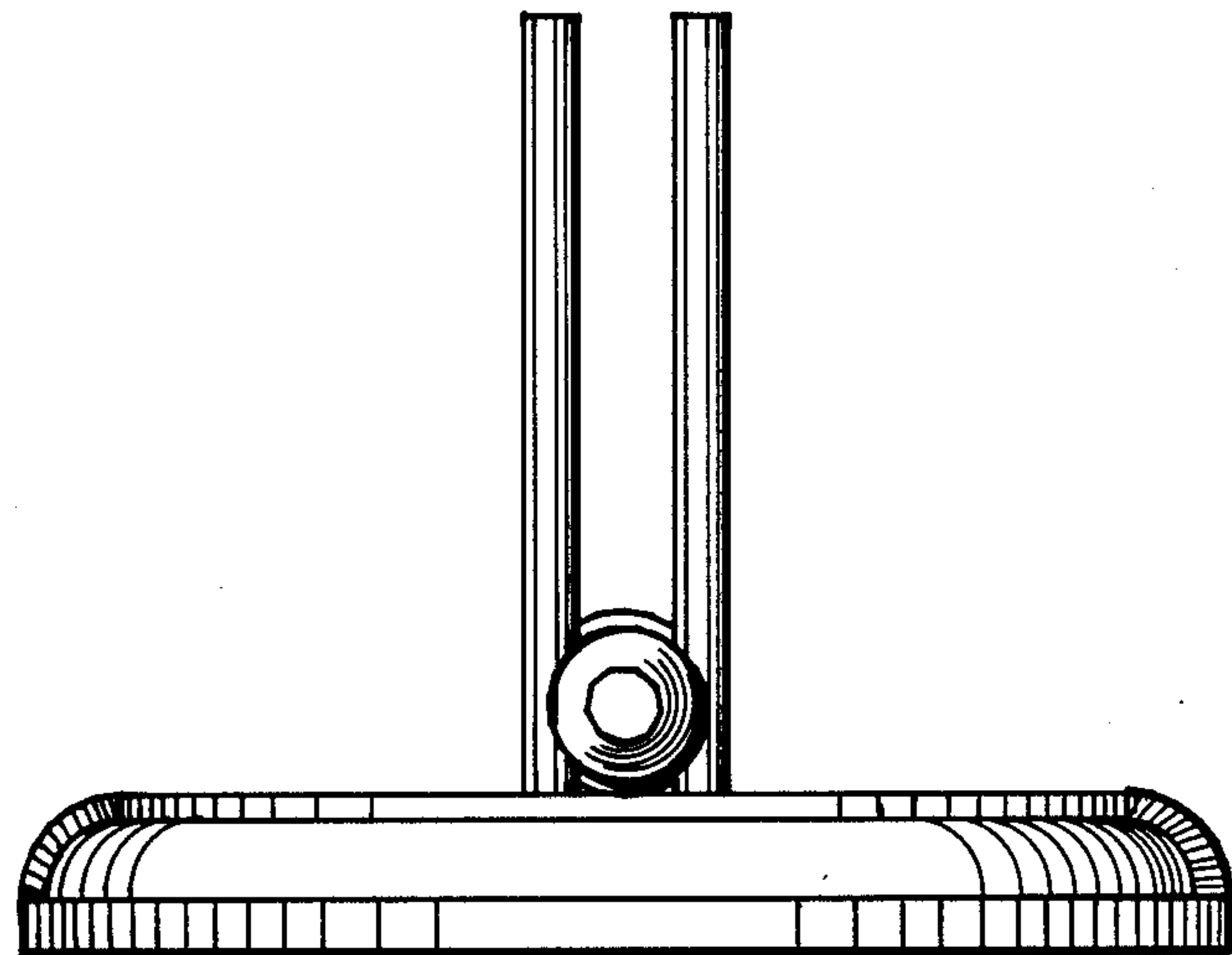


Fig. 4

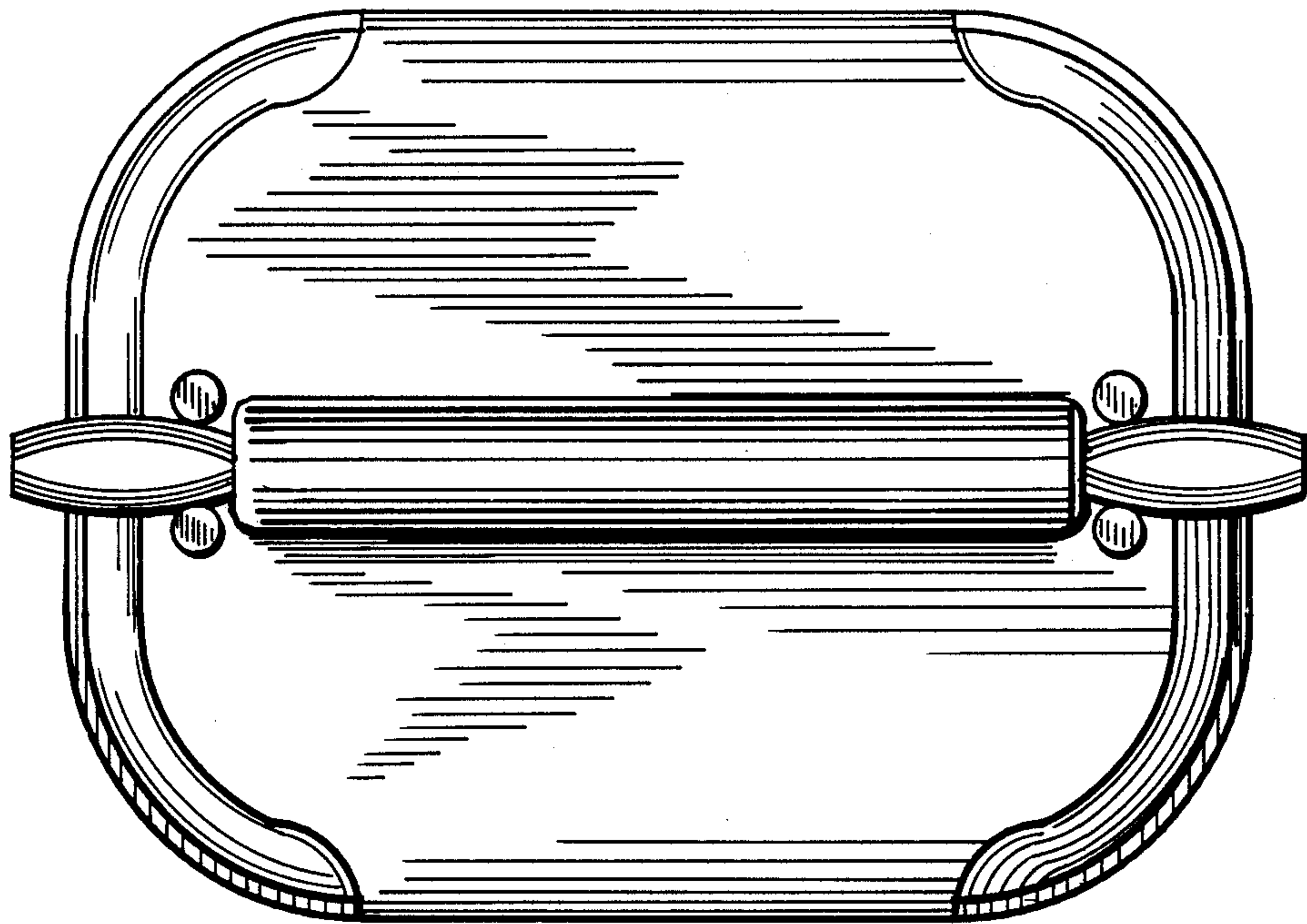


Fig. 5

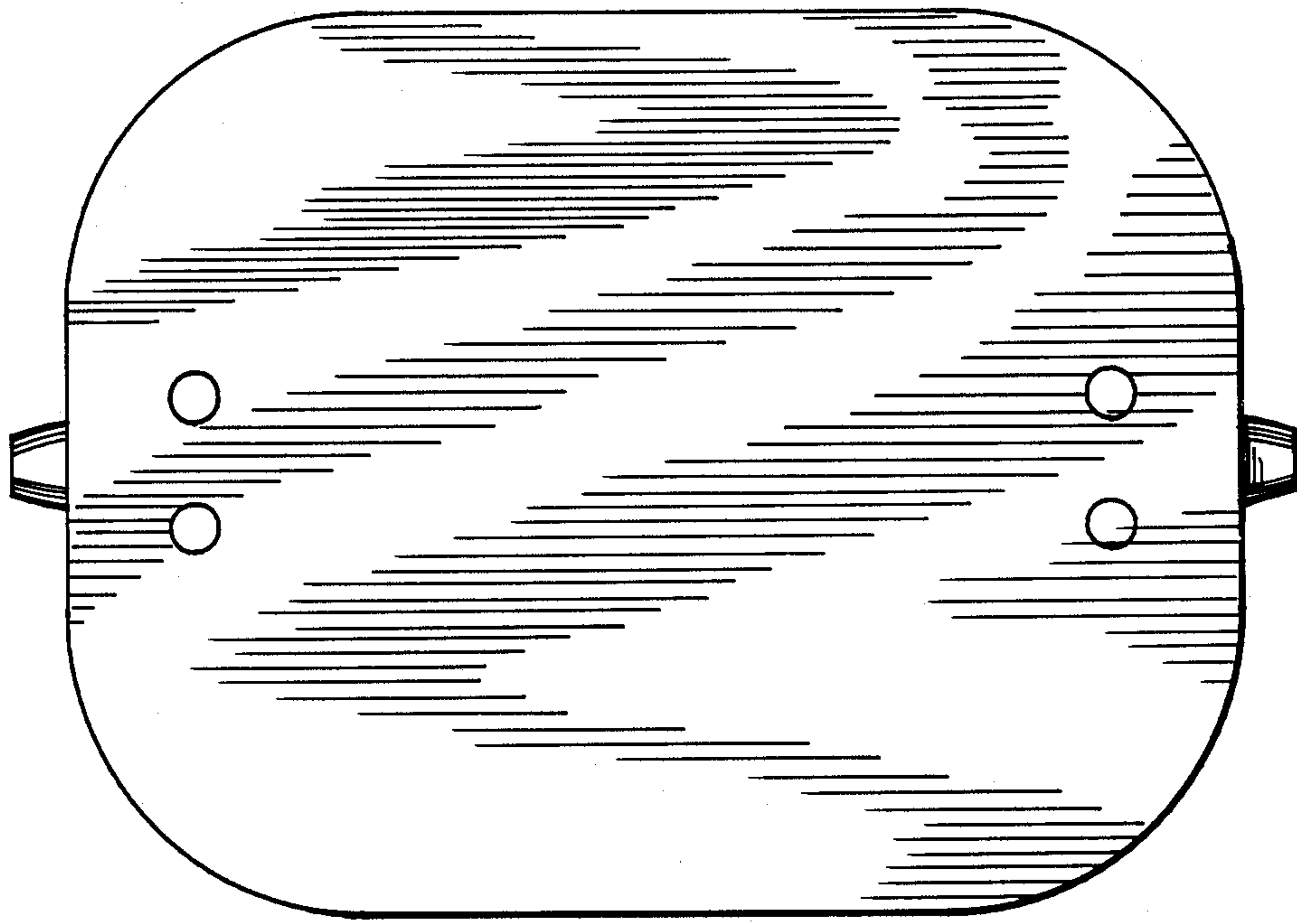


Fig. 6