

[54] COMBINED CHIP AND SALSA SERVER

[76] Inventor: Jerome L. Asner, 2233 NW. 48th St., Oklahoma City, Okla. 73112

[**] Term: 14 Years

[21] Appl. No.: 45,673

[22] Filed: May 4, 1987

[52] U.S. Cl. D7/3; D7/20; D7/23; D7/27

[58] Field of Search D7/3, 27, 23, 2, 4, D7/20, 17

[56] References Cited

U.S. PATENT DOCUMENTS

D. 87,824	9/1932	Barnes	D7/23
D. 102,968	1/1937	Farber	D7/23 X
D. 195,046	4/1963	Swett	D7/3
D. 222,177	10/1971	Tondu	D7/20
3,179,320	4/1965	Ward	D7/3 X

OTHER PUBLICATIONS

Palmer Distributors/Flyer p. 2, Snack tray at bottom left/Plexiglas ST-125 or ST-187.

Primary Examiner—Winifred E. Herrmann
Attorney, Agent, or Firm—William S. Dorman

[57] CLAIM

The ornamental design for a combined chip and salsa server, as shown and described.

DESCRIPTION

FIG. 1 is a front elevational view of a combined chip and salsa server showing my new design;

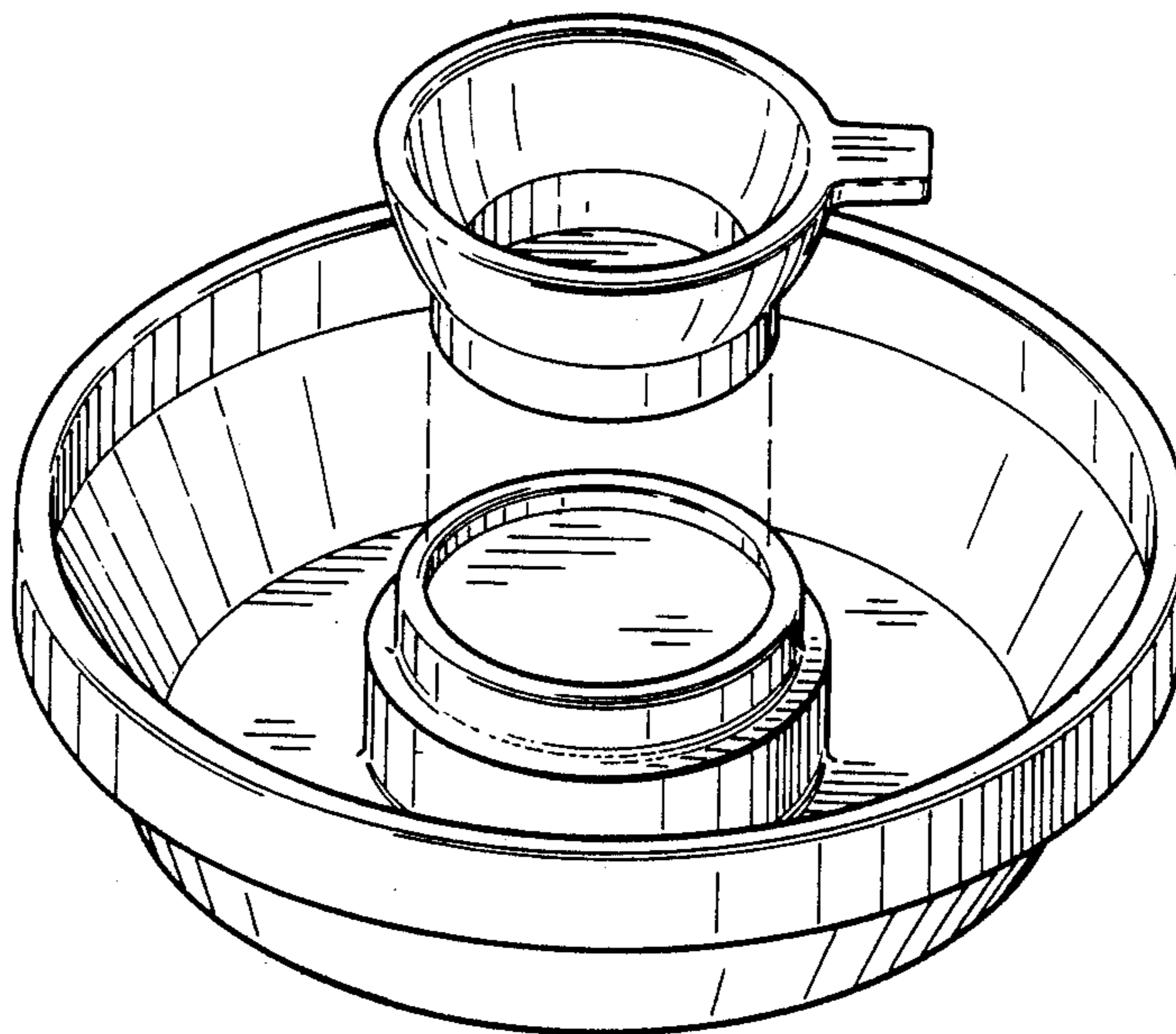
FIG. 2 is the right side elevational view thereof at a reduced scale;

FIG. 3 is the left side elevational view thereof at the same reduced scale as FIG. 2;

FIG. 4 is the top plan view thereof;

FIG. 5 is the bottom plan view thereof at a reduced scale;

FIG. 6 is an exploded top perspective view thereof.



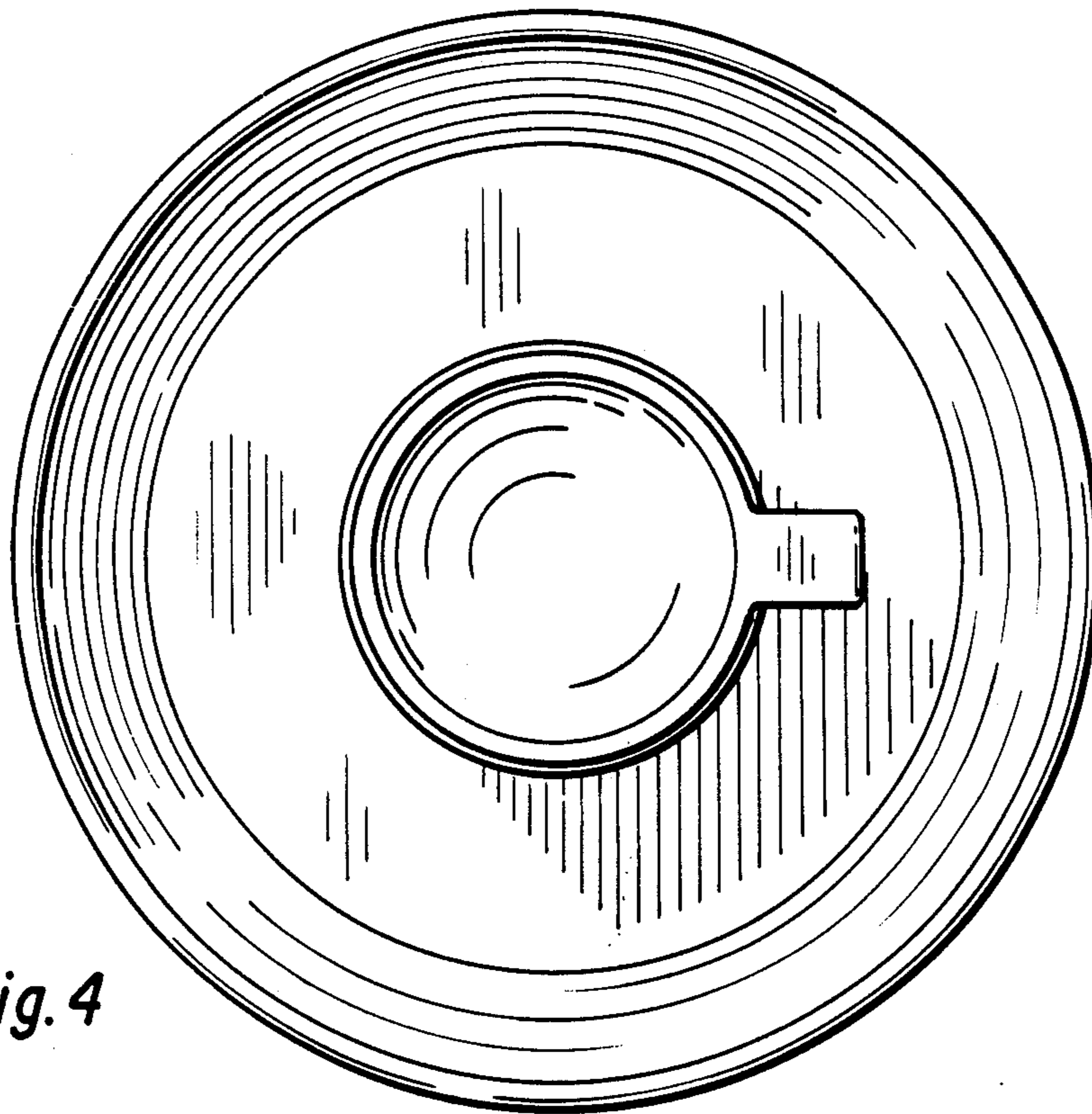


Fig. 4

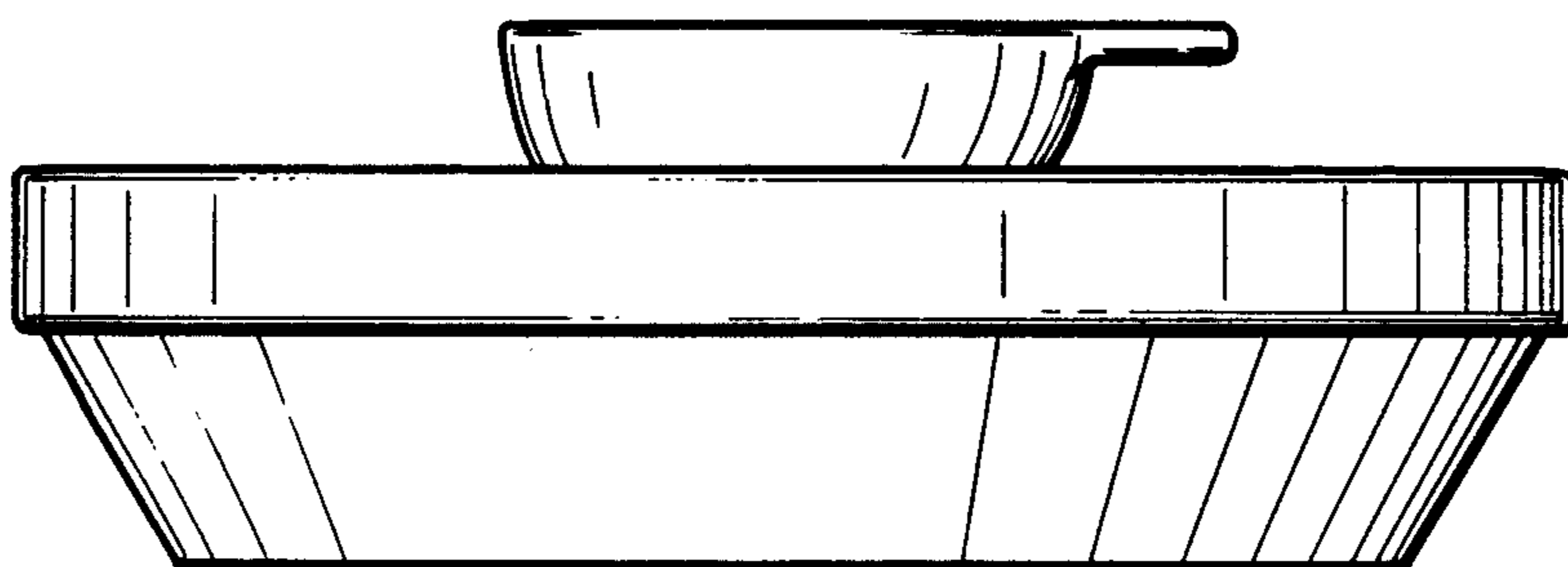


Fig. 1

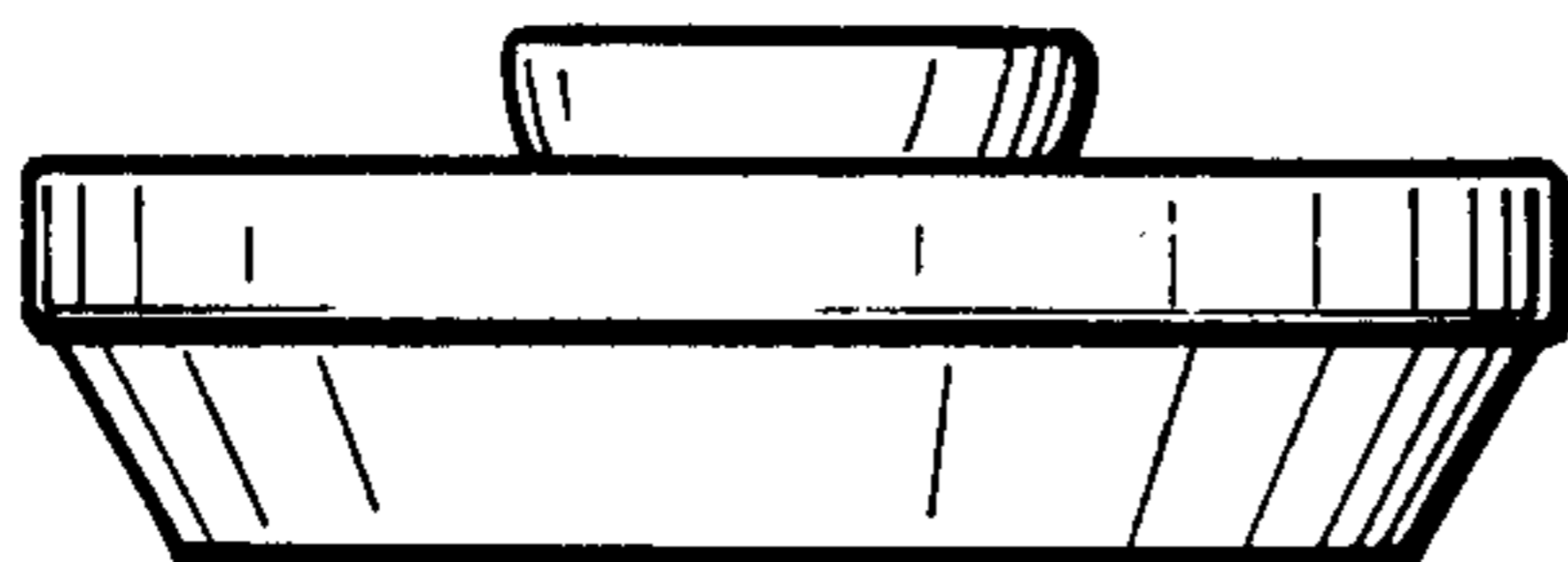


Fig. 3

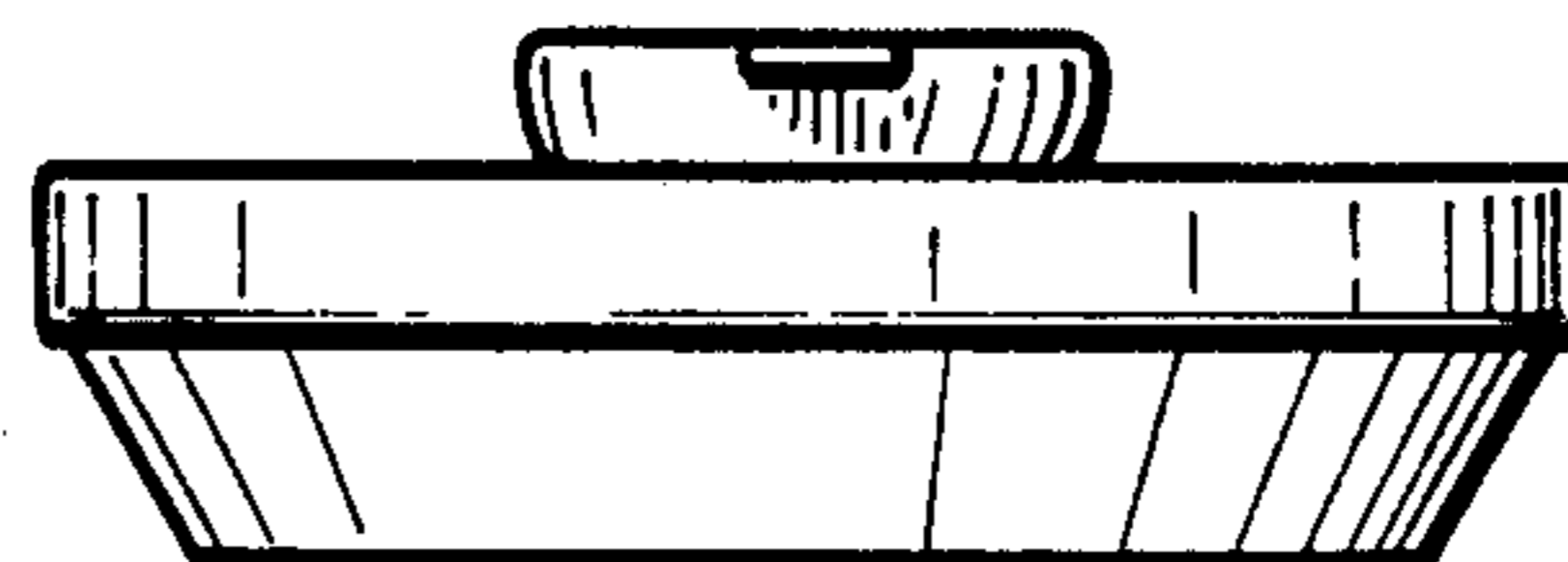


Fig. 2

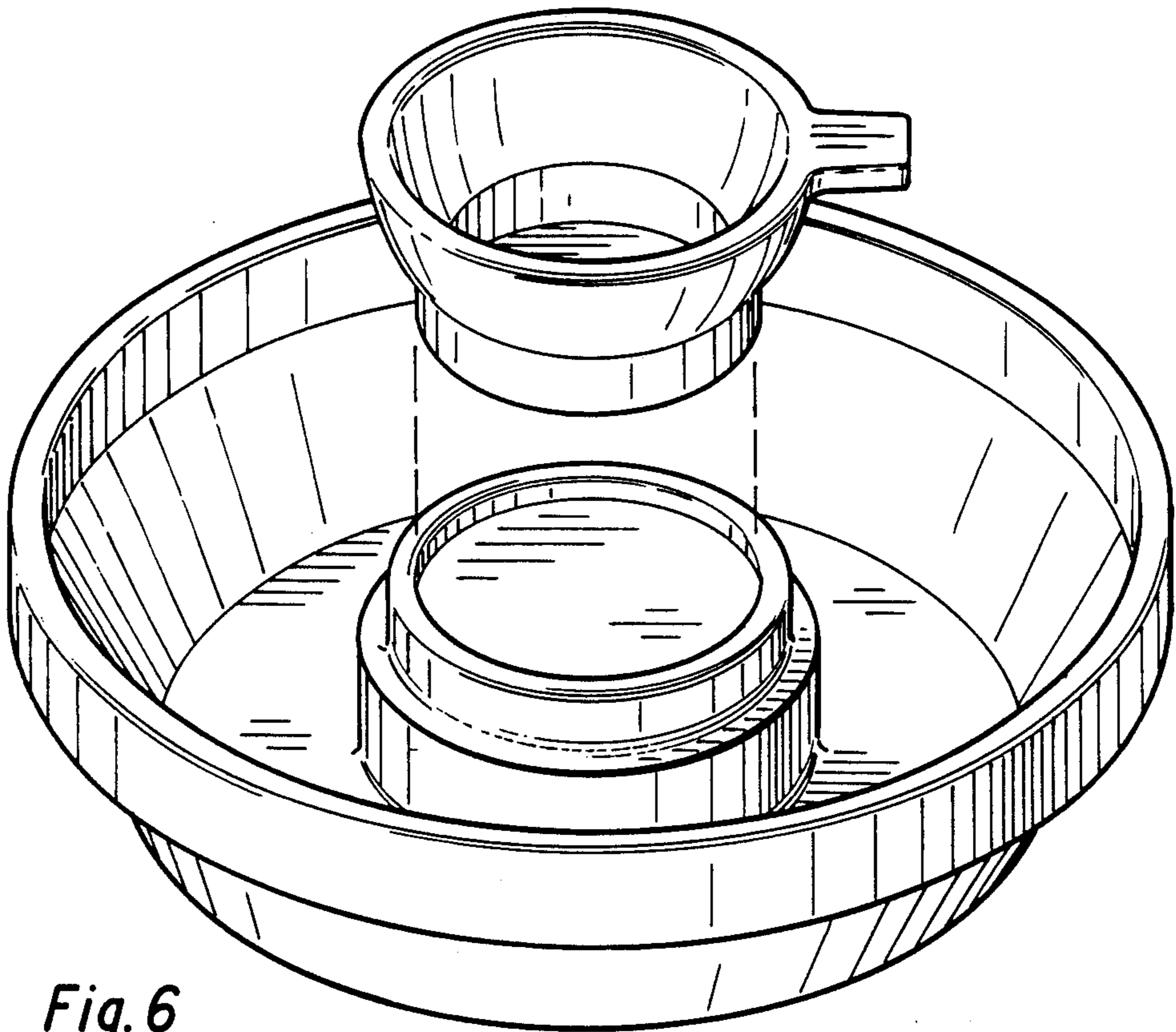


Fig. 6

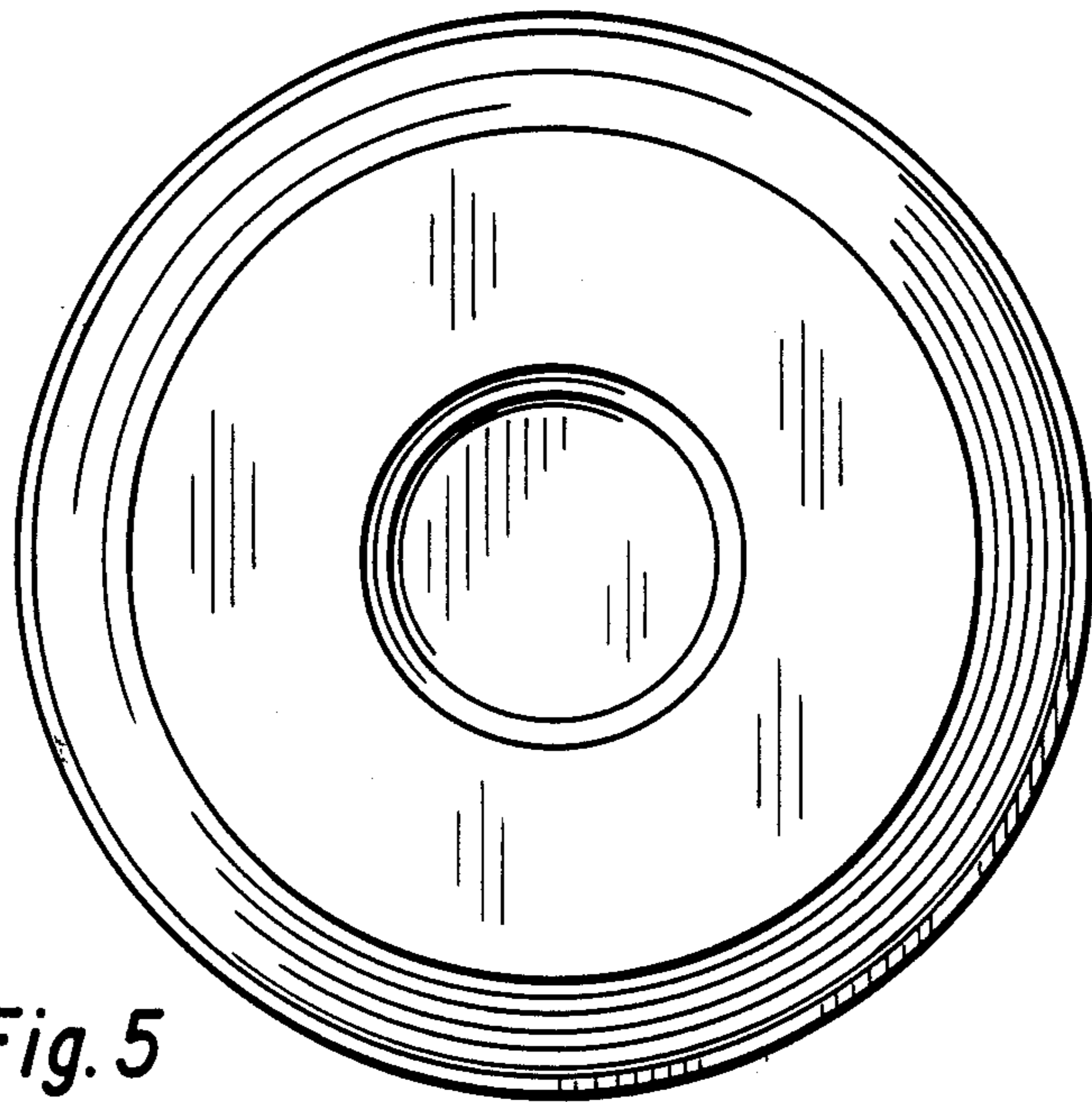


Fig. 5