

[54] **MULTI-PURPOSE HOLDER**

[76] Inventor: **D. Richard Hancock, R.F.D. Rte. #1,**  
Box 383, Morgan, Utah 84050

[\*\*] Term: **14 Years**

[21] Appl. No.: **38,523**

[22] Filed: **Apr. 14, 1987**

[52] U.S. Cl. .... **D6/553**

[58] Field of Search ..... **D6/512, 552-553,**  
**D6/567, 572; 211/13, 601, 65, 68, 70.7, 70.8;**  
**D11/132, 140; 206/371**

[56] **References Cited**

**U.S. PATENT DOCUMENTS**

1,663,055	3/1928	McAuley	206/371	X
3,305,100	2/1967	Barbec	D6/569	X
3,812,976	5/1974	Rempel	211/63	X

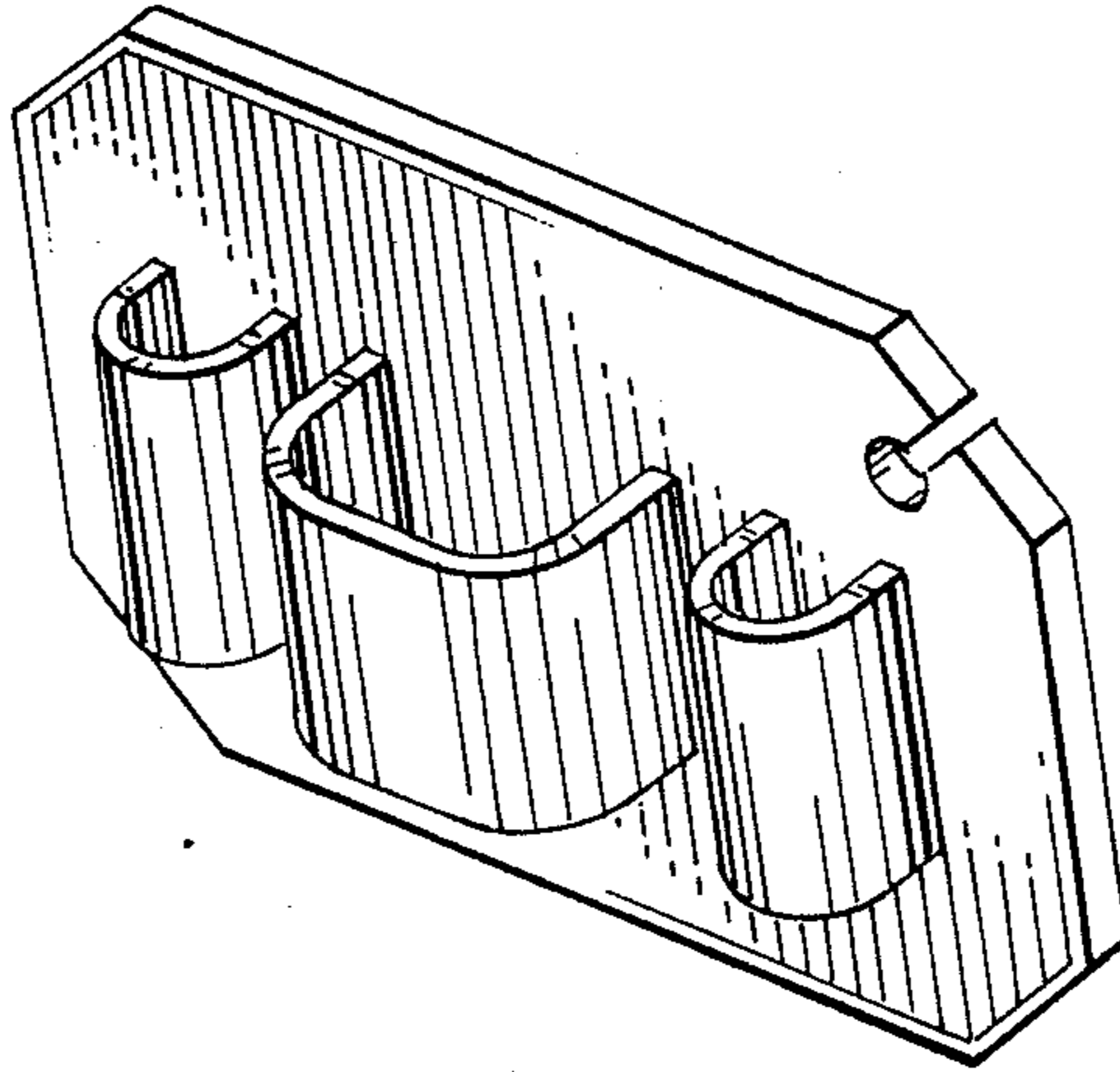
*Primary Examiner*—Wallace R. Burke  
*Assistant Examiner*—Brian N. Vinson  
*Attorney, Agent, or Firm*—William W. Holloway

[57] **CLAIM**

The ornamental design for a multi-purpose holder, as shown and described.

**DESCRIPTION**

FIG. 1 is a top plan view of a multi-purpose holder showing my new design;  
FIG. 2 is a bottom plan view thereof;  
FIG. 3 is a front elevational view thereof, the rear being substantially a mirror image of that shown;  
FIG. 4 is a side elevational view thereof, the opposite side being a mirror image of that shown; and  
FIG. 5 is a top, rear and right side perspective view thereof.



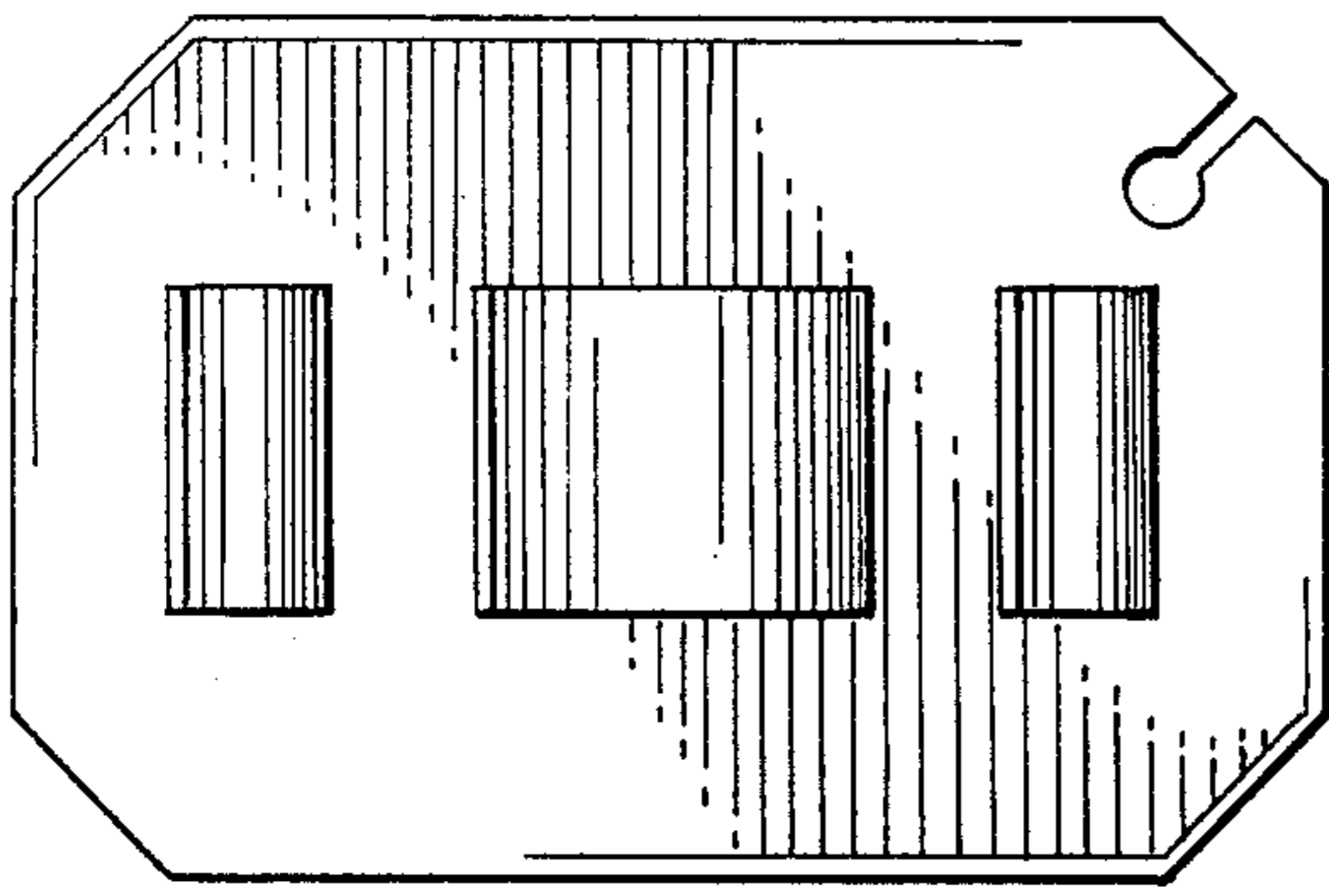


FIG. 1.

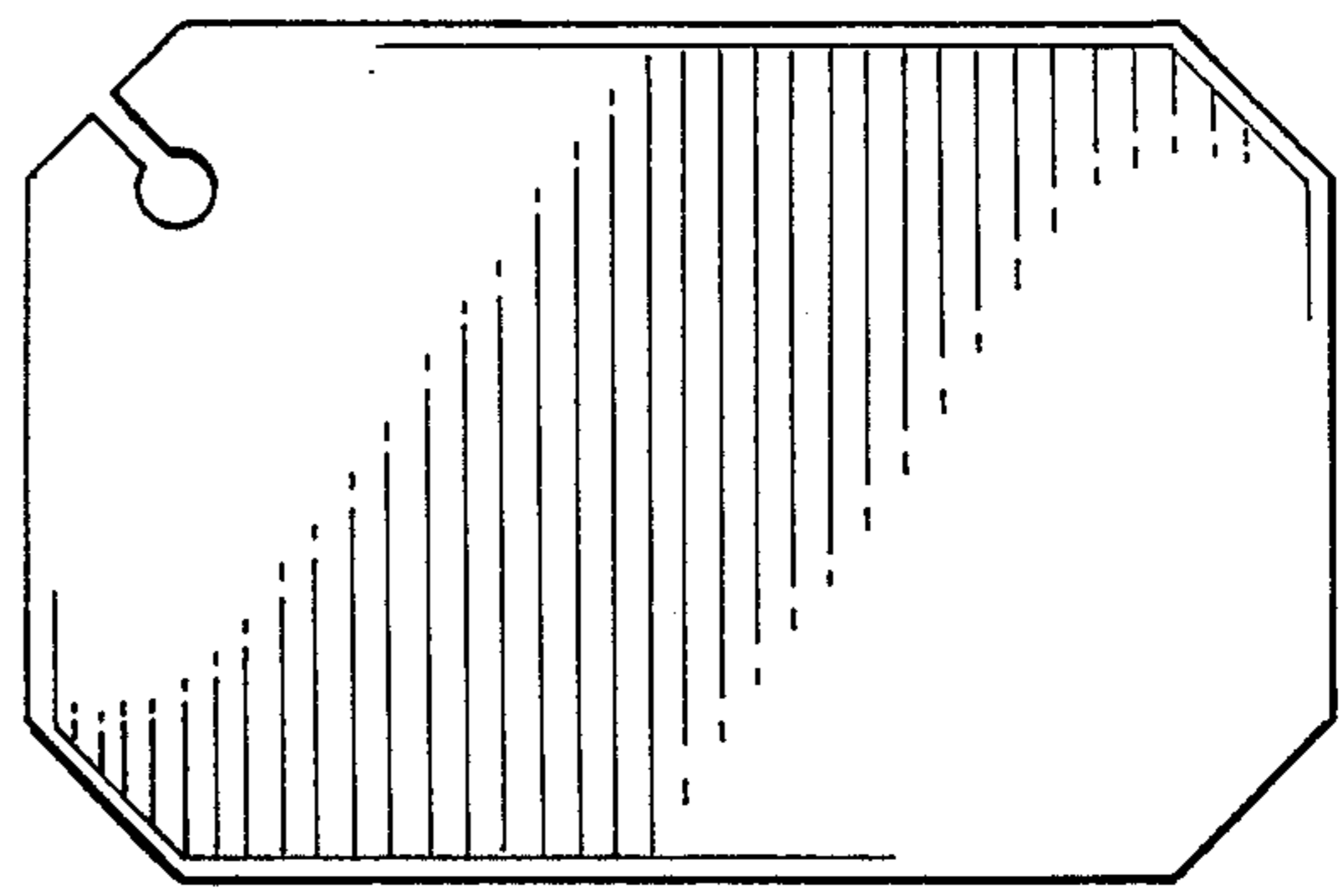


FIG. 2.

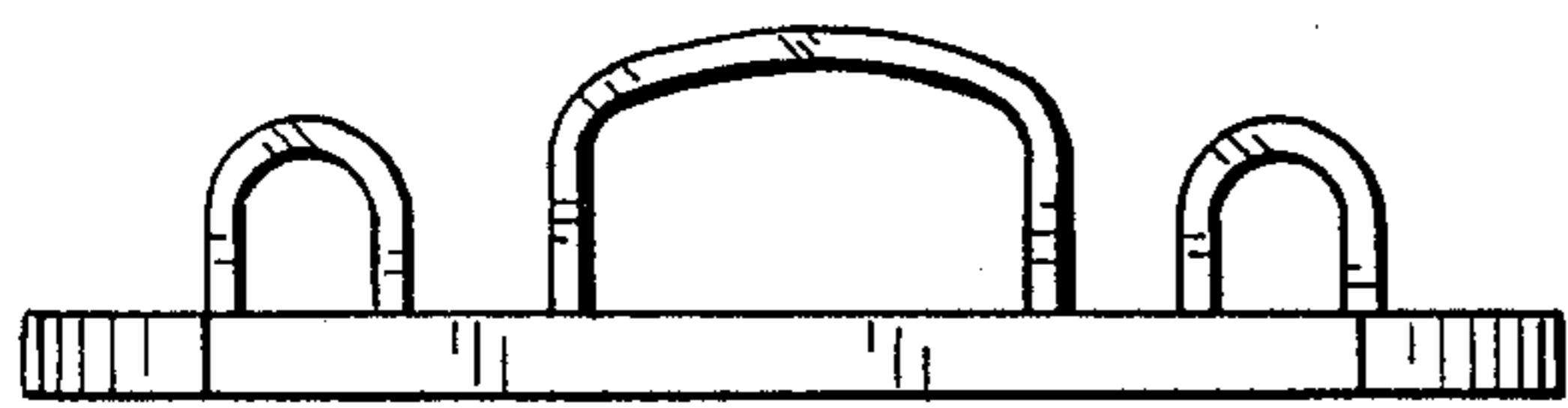


FIG. 3.

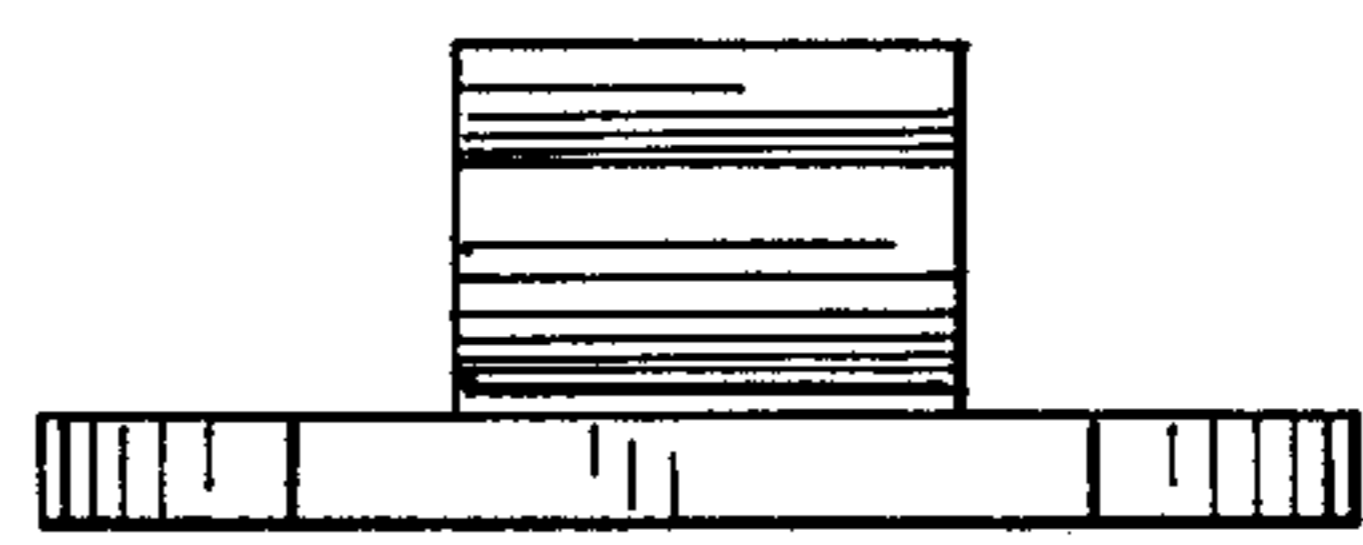


FIG. 4.

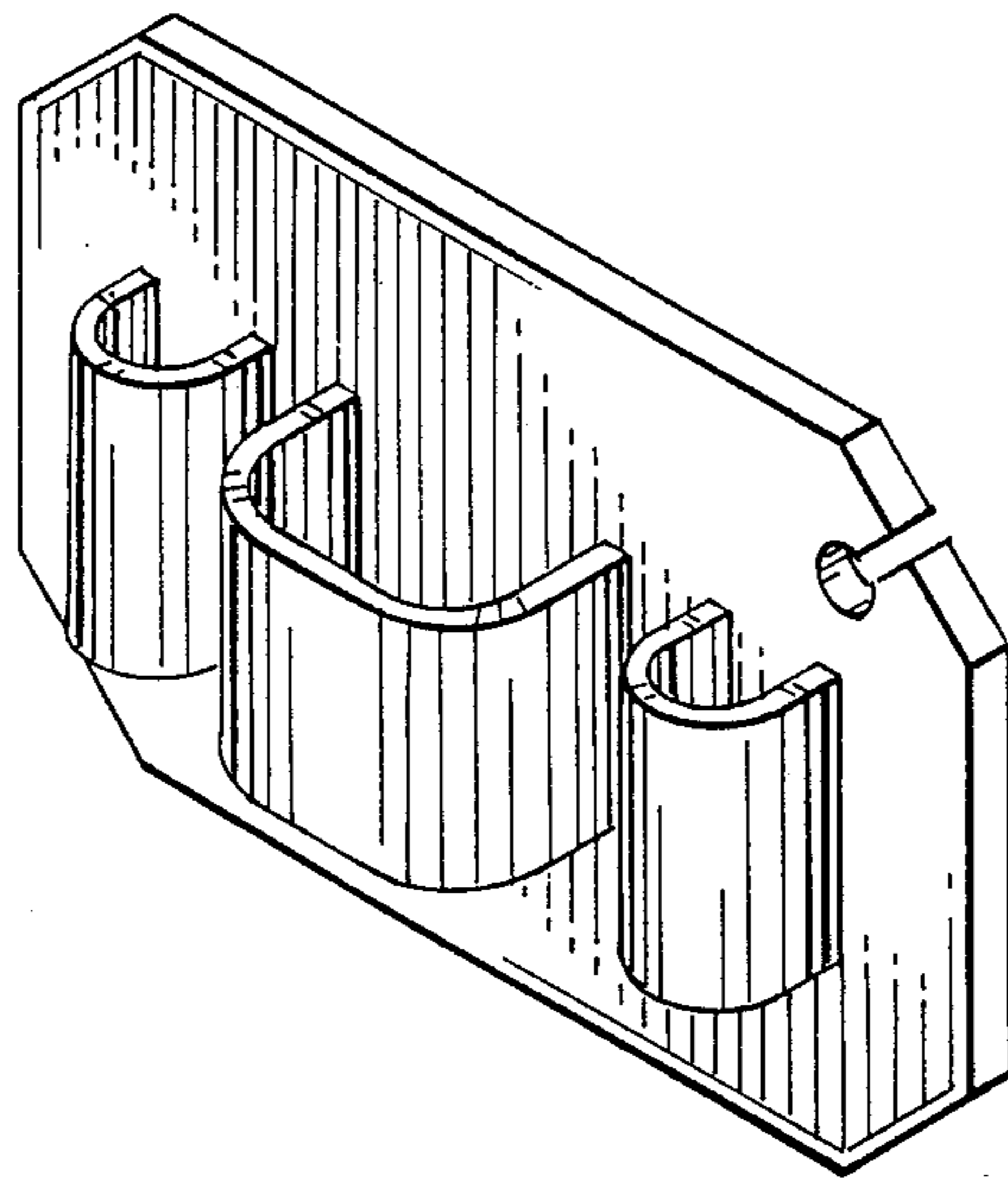


FIG. 5.