

[54] **CLOTHES HOOK**

[75] **Inventor: Daniel L. Pool, Paradise Valley, Ariz.**

[73] **Assignee: Designer Bathware, Inc., Phoenix, Ariz.**

[\*\*] **Term: 14 Years**

[21] **Appl. No.: 139,032**

[22] **Filed: Dec. 28, 1987**

**Related U.S. Application Data**

- [62] Division of Ser. No. 63,631, Jun. 17, 1987, Pat. No. D. 294,907, which is a division of Ser. No. 845,772, Mar. 24, 1986, Pat. No. D. 291,753, which is a division of Ser. No. 514,002, Jul. 15, 1983, Pat. No. D. 283,188.
- [52] **U.S. Cl. .... D6/323; D8/373; D6/546**
- [58] **Field of Search ..... D6/526, 546, 548, 411, D6/323; D8/354, 363, 367, 372, 373; 248/339, 201, 304, 309.1, 310, 312, 312.1, 316.8**

[56] **References Cited**

**U.S. PATENT DOCUMENTS**

D. 195,124	4/1963	Clayton	.....	D6/323
D. 241,207	8/1976	West, III	.....	D6/567
D. 252,571	8/1979	Hancock	.....	D6/526 X
D. 254,881	5/1980	Pyskaty	.....	D6/526
D. 299,423	1/1989	Davis	.....	D8/372 X
D. 300,406	3/1989	Bordian	.....	D6/526 X

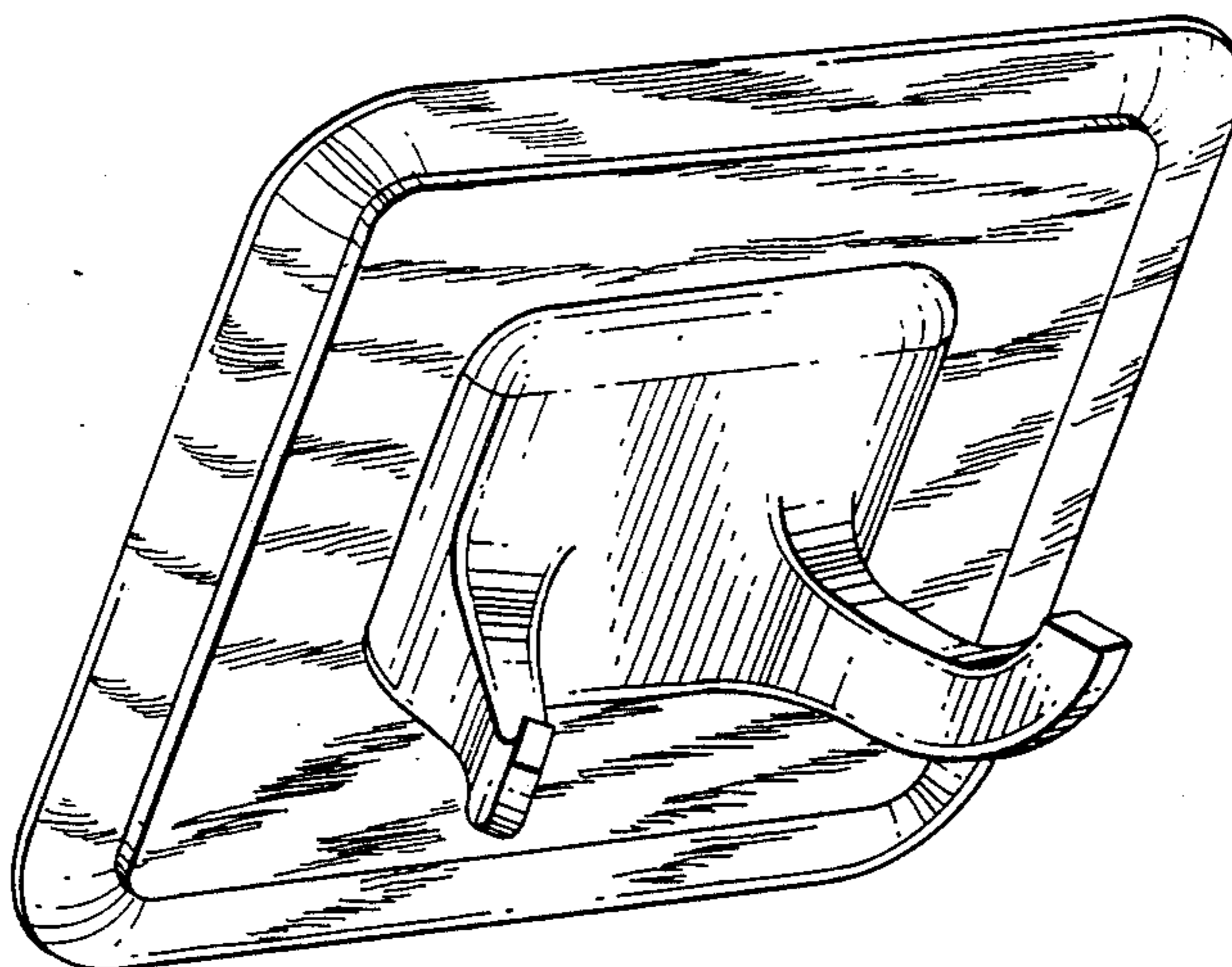
*Primary Examiner*—Wallace R. Burke  
*Assistant Examiner*—Brian N. Vinson  
*Attorney, Agent, or Firm*—Don J. Flickinger; Jordan M. Meschkow; Lowell W. Gresham

[57] **CLAIM**

The ornamental design for a clothes hook, as shown and described.

**DESCRIPTION**

FIG. 1 is a top front and left side perspective view of a clothes hook showing my new design;  
FIG. 2 is a top plan view thereof;  
FIG. 3 is a bottom plan view thereof;  
FIG. 4 is a right side elevation view thereof, it being understood that the left side elevation view is a mirror image; and  
FIG. 5 is a rear elevational view thereof.



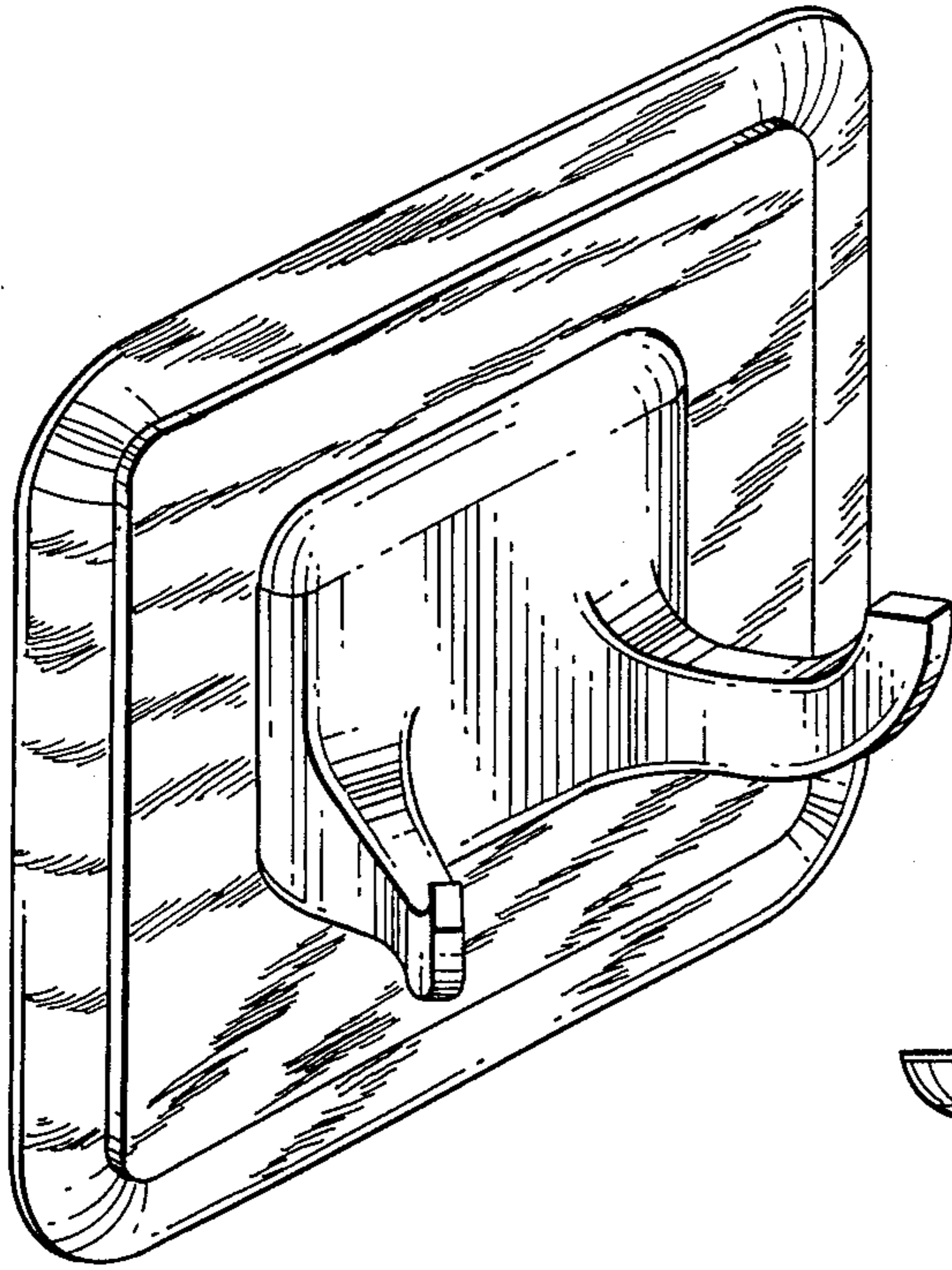


FIG. 1

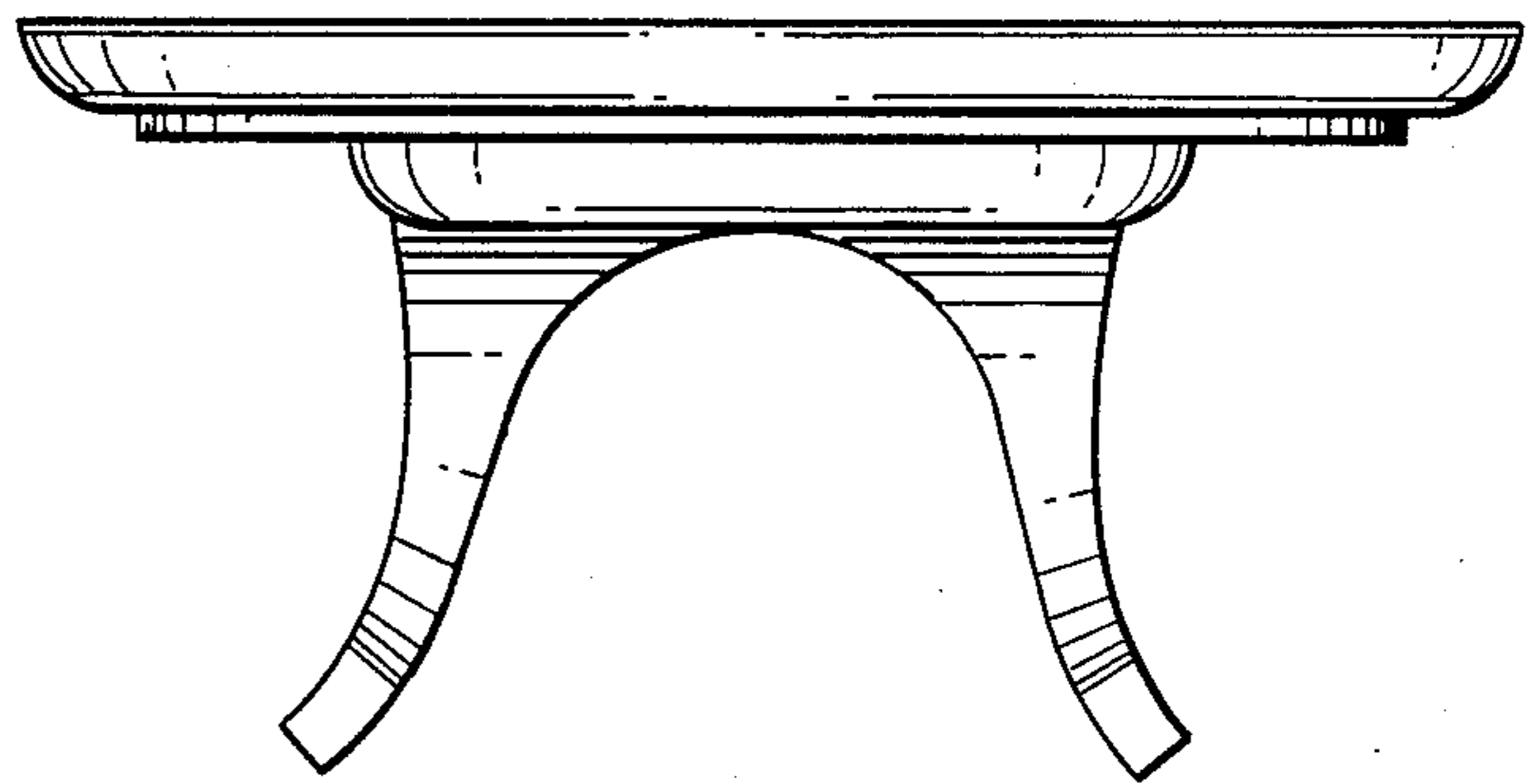


FIG. 2

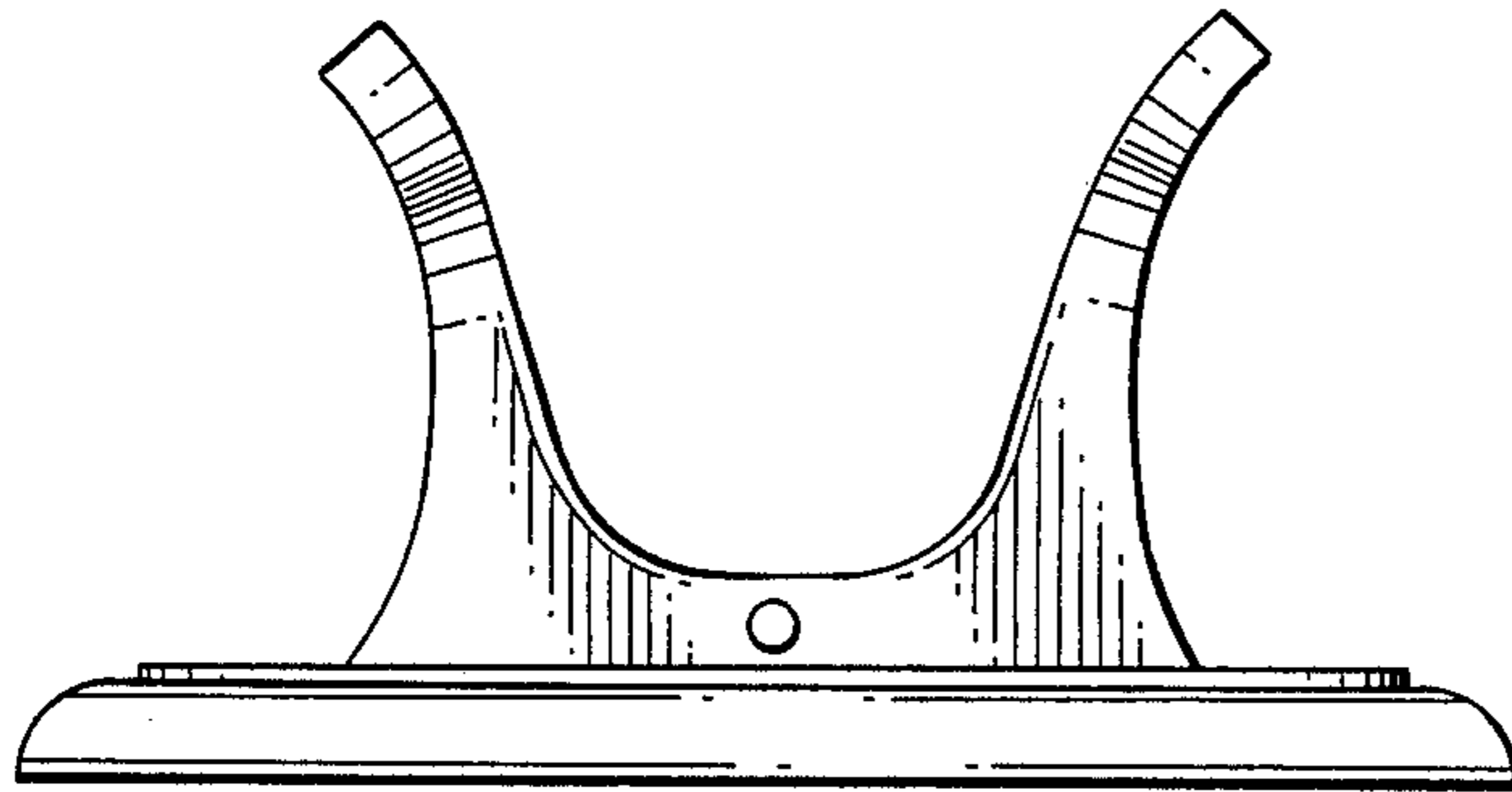


FIG. 3

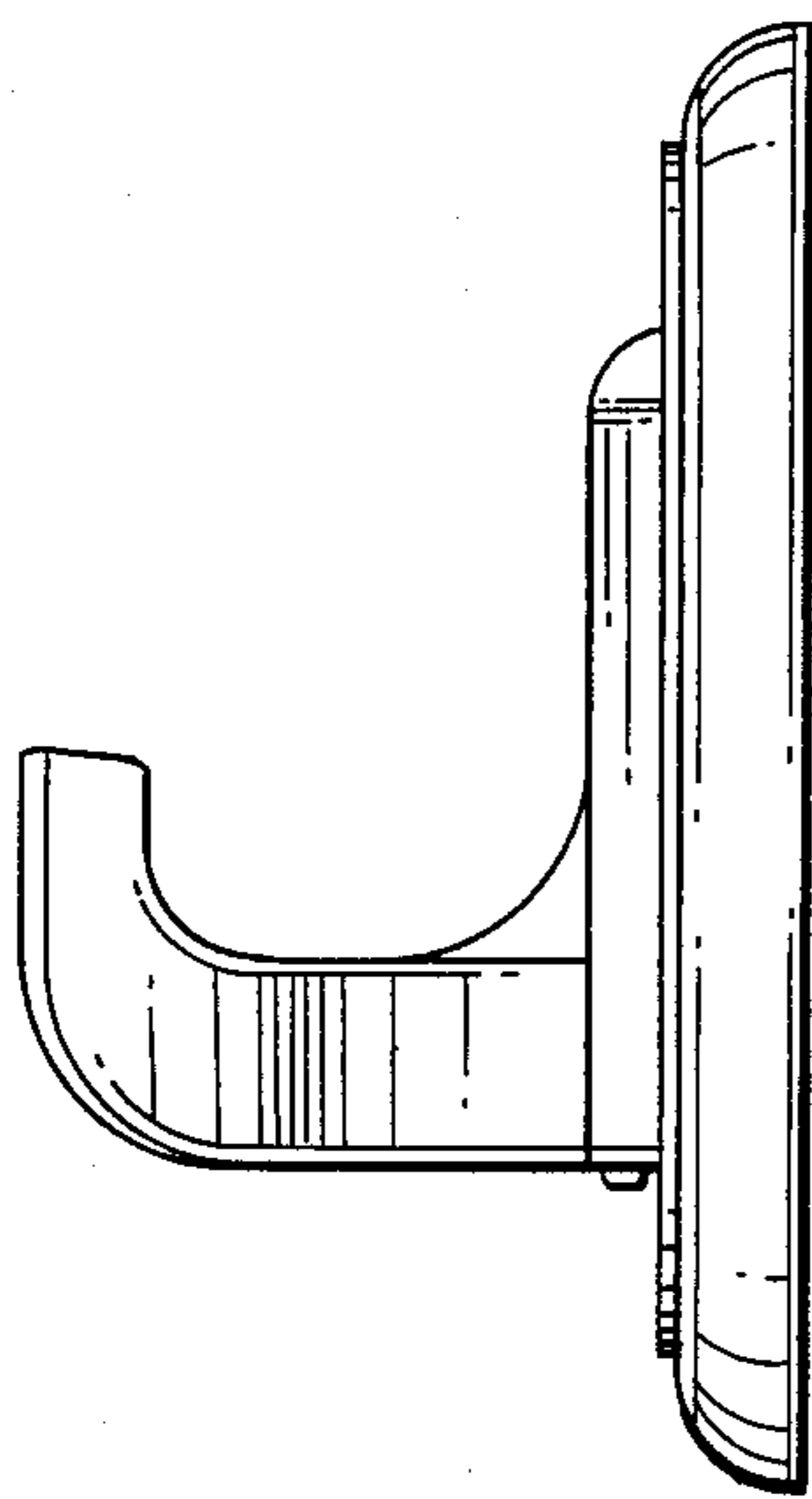


FIG. 4

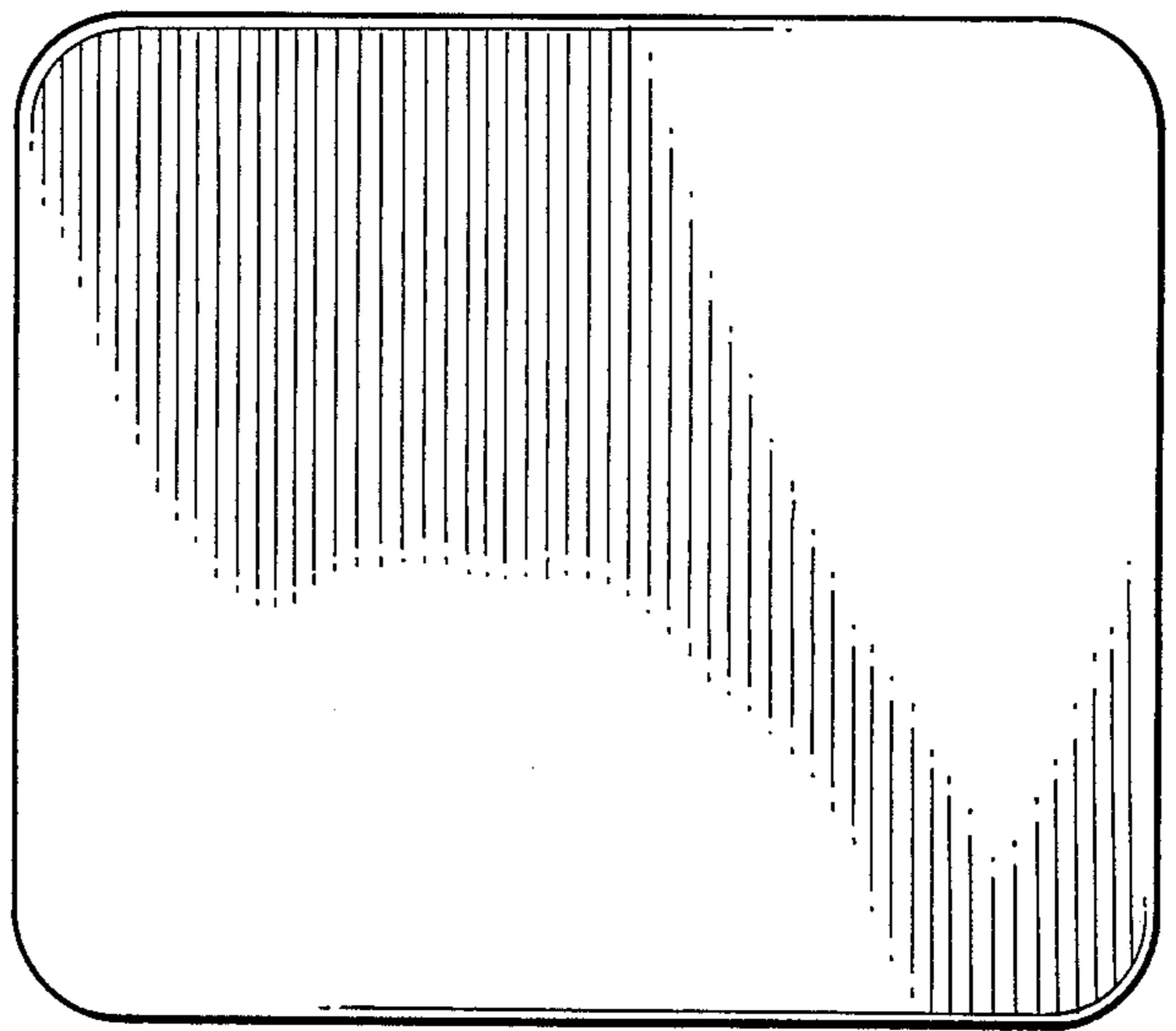


FIG. 5