

# United States Patent [19]

Price

[11] Patent Number: **Des. 304,650**

[45] Date of Patent: **\*\* Nov. 21, 1989**

[54] **FOLDABLE POWER TOOL SUPPORT**

[76] Inventor: **T. David Price**, 648 Turnin St., South St. Paul, Minn. 55075

[\*\*] Term: **14 Years**

[21] Appl. No.: **25,794**

[22] Filed: **Mar. 13, 1987**

[52] U.S. Cl. .... **D6/429; 108/119**

[58] Field of Search ..... **D6/396, 398, 400, 411, D6/413, 414, 428, 429, 448, 449, 480; 108/119**

[56] **References Cited**

**U.S. PATENT DOCUMENTS**

D. 253,212	10/1979	Maruscak et al. ....	D6/400
D. 256,641	9/1980	Wilson et al. ....	D6/400
D. 266,128	9/1982	Ferdinand et al. ....	D6/400
D. 266,218	9/1982	Hodson ....	D6/429

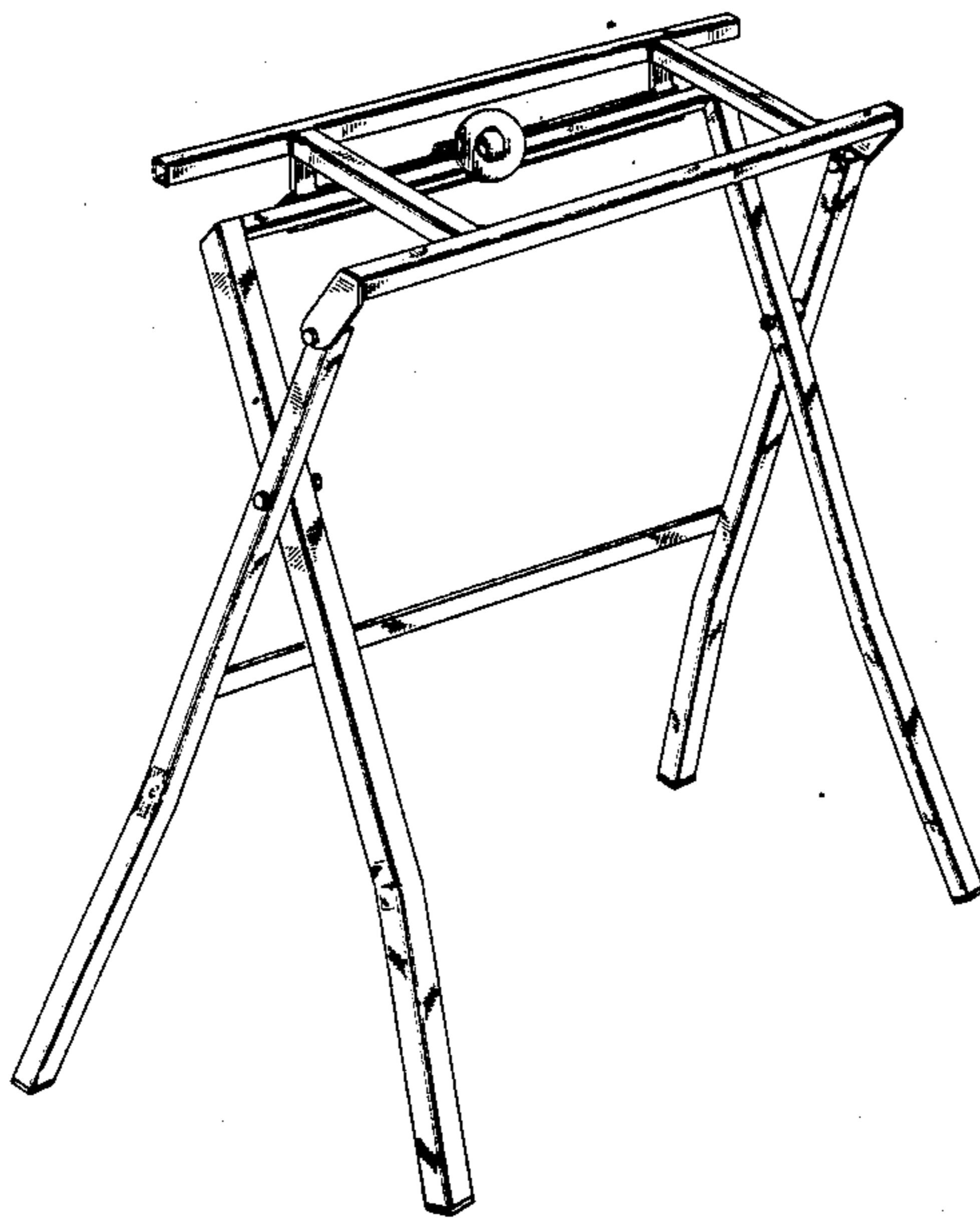
*Primary Examiner*—Carmen H. Vales-Lado  
*Assistant Examiner*—Schon C. Oppert  
*Attorney, Agent, or Firm*—Merchant, Gould, Smith, Edell, Welter & Schmidt

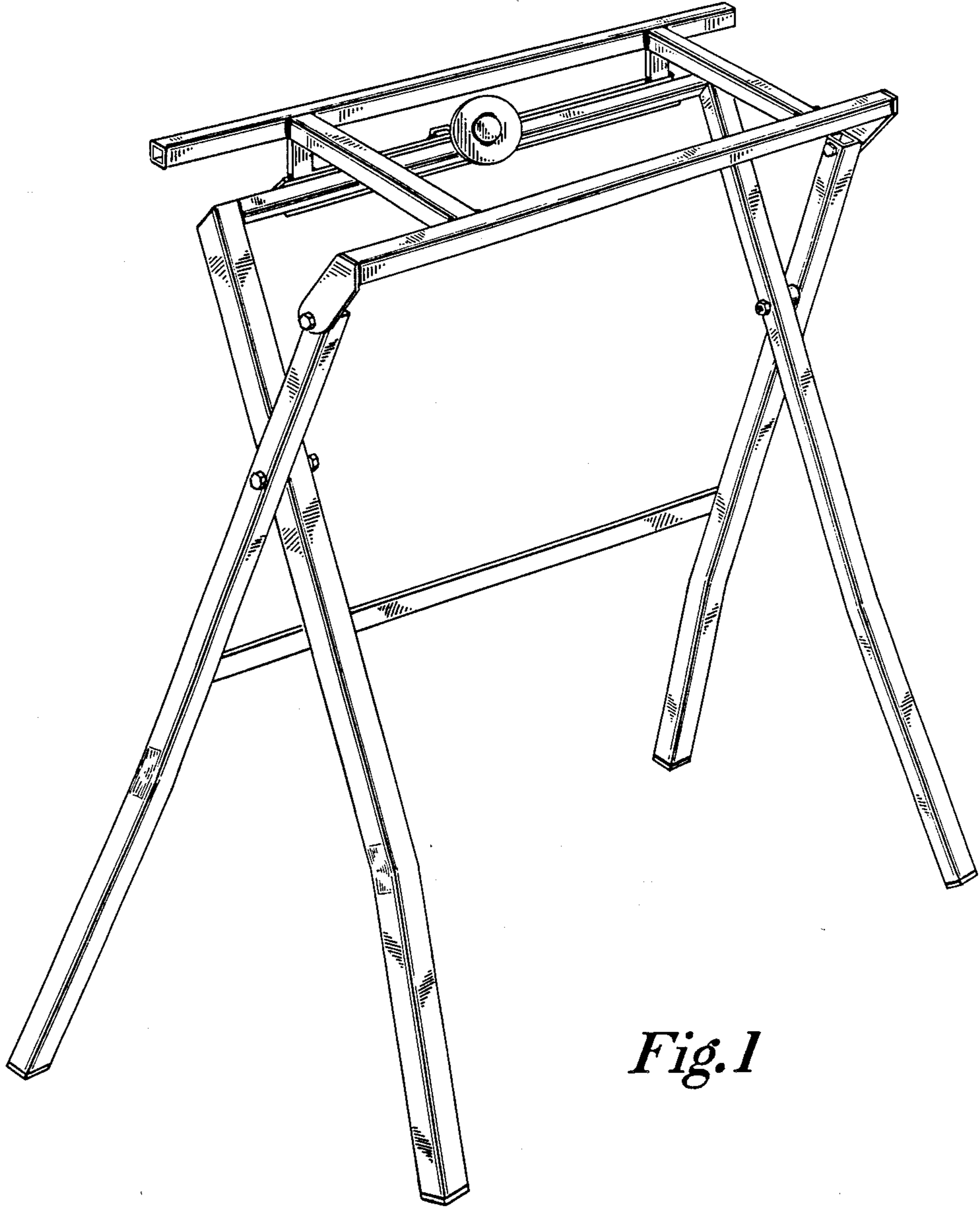
[57] **CLAIM**

The ornamental design for a foldable power tool support, as shown and described.

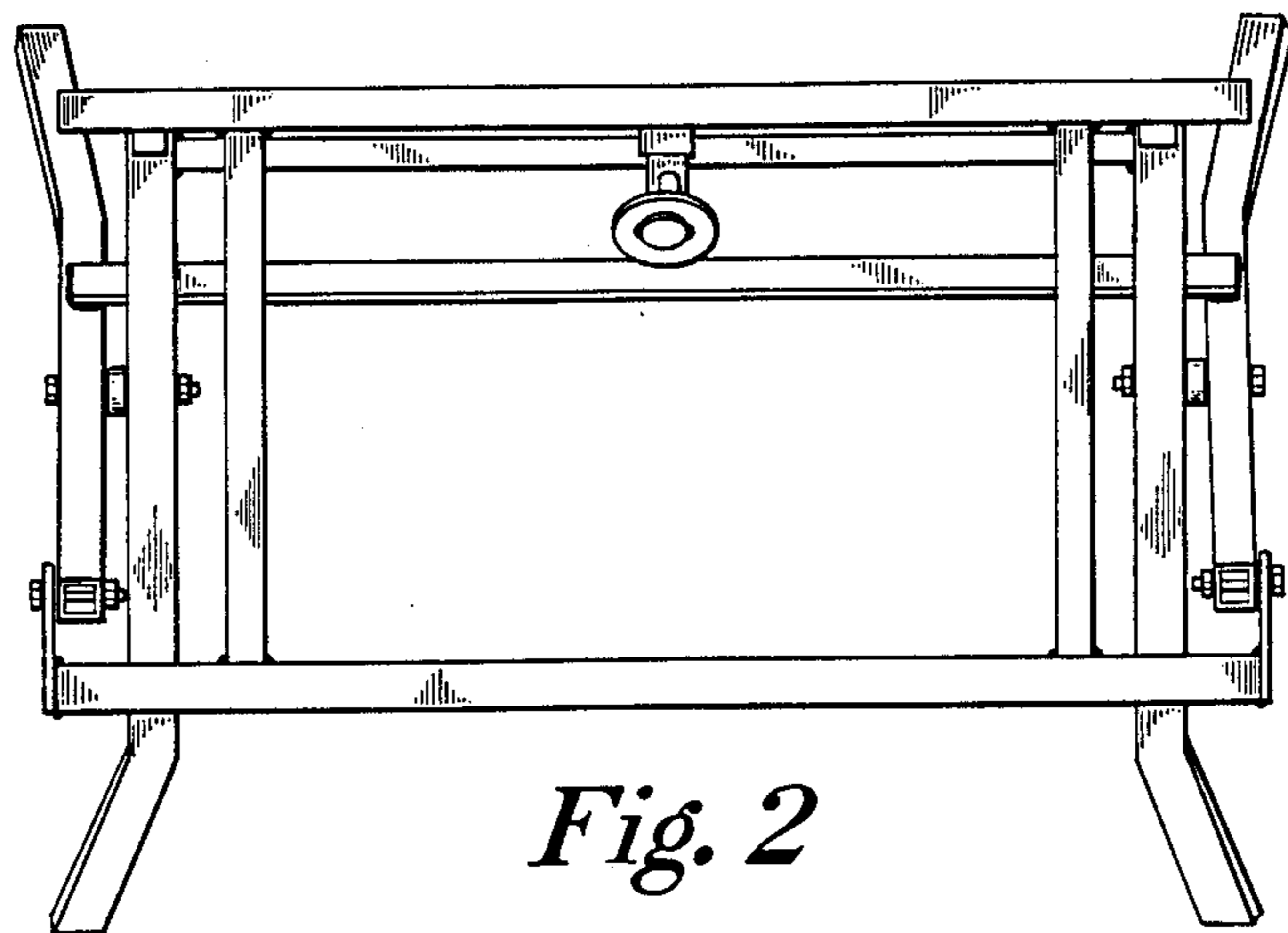
**DESCRIPTION**

FIG. 1 is a perspective view of the foldable power tool support showing my new design; FIG. 2 is a top plan view thereof; FIG. 3 is a bottom plan view thereof; FIG. 4 is a front elevational plan view thereof; FIG. 5 is a back elevational view thereof; FIG. 6 is a left elevational view thereof; and FIG. 7 is a right elevational view thereof.

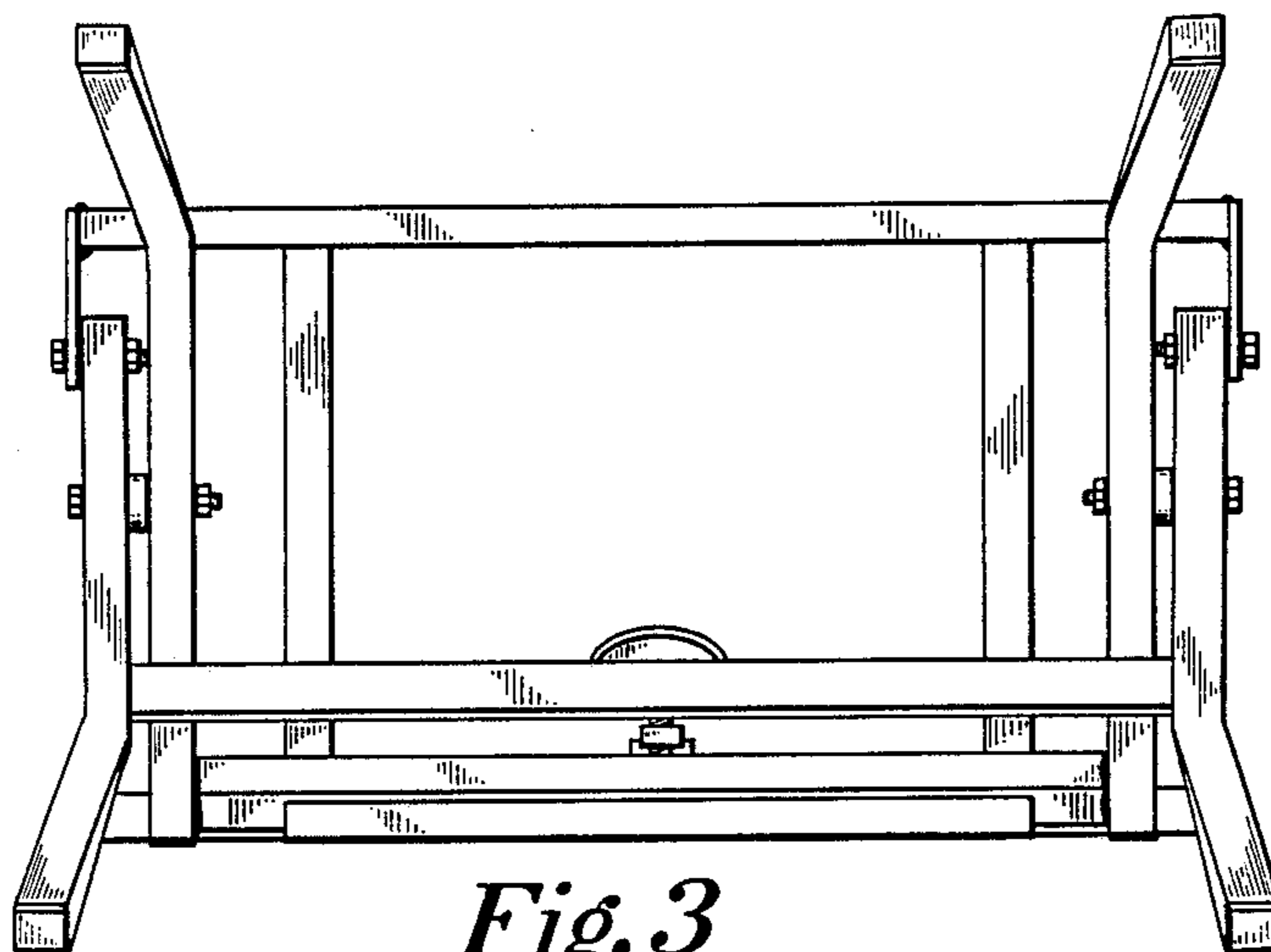




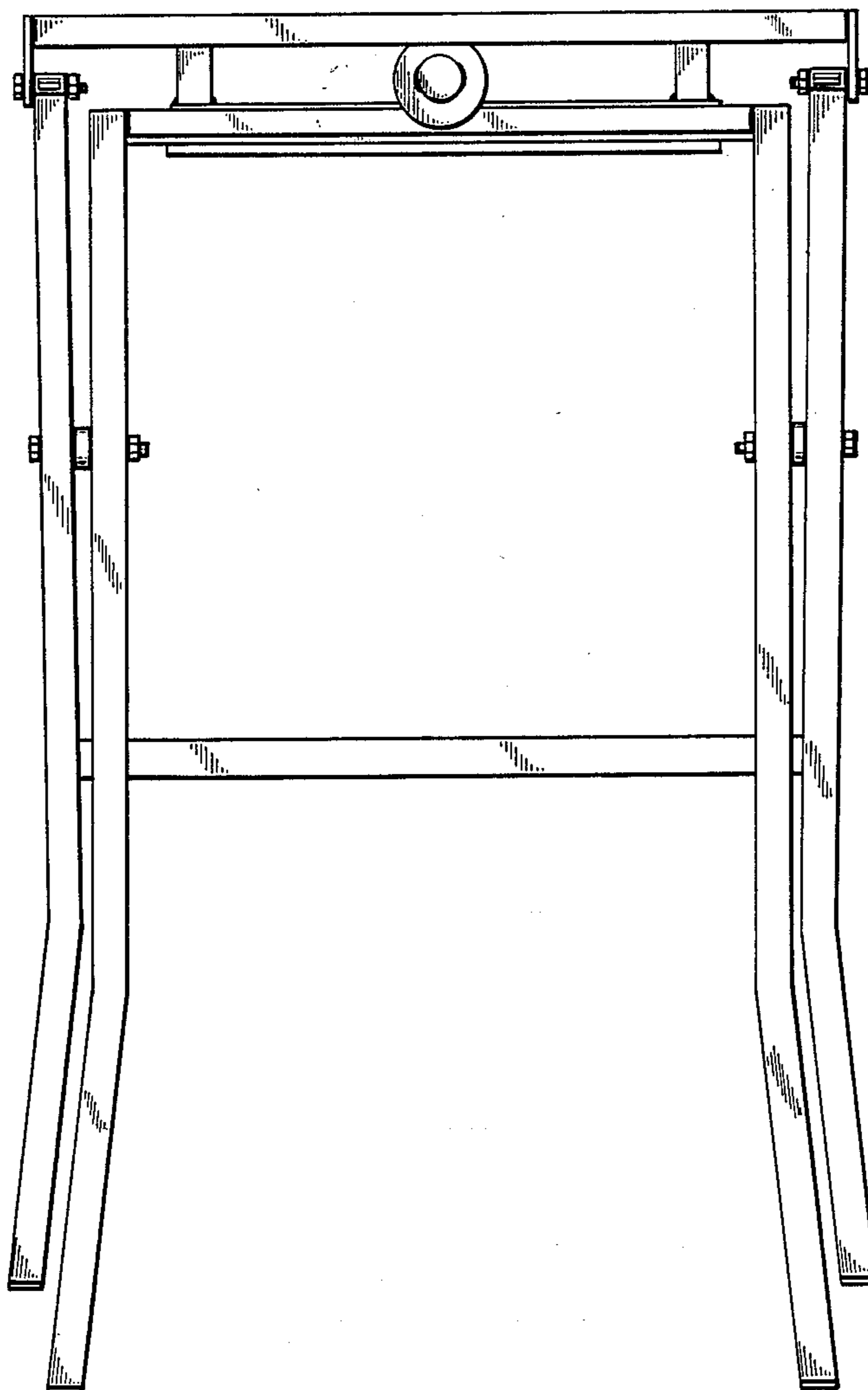
*Fig. 1*



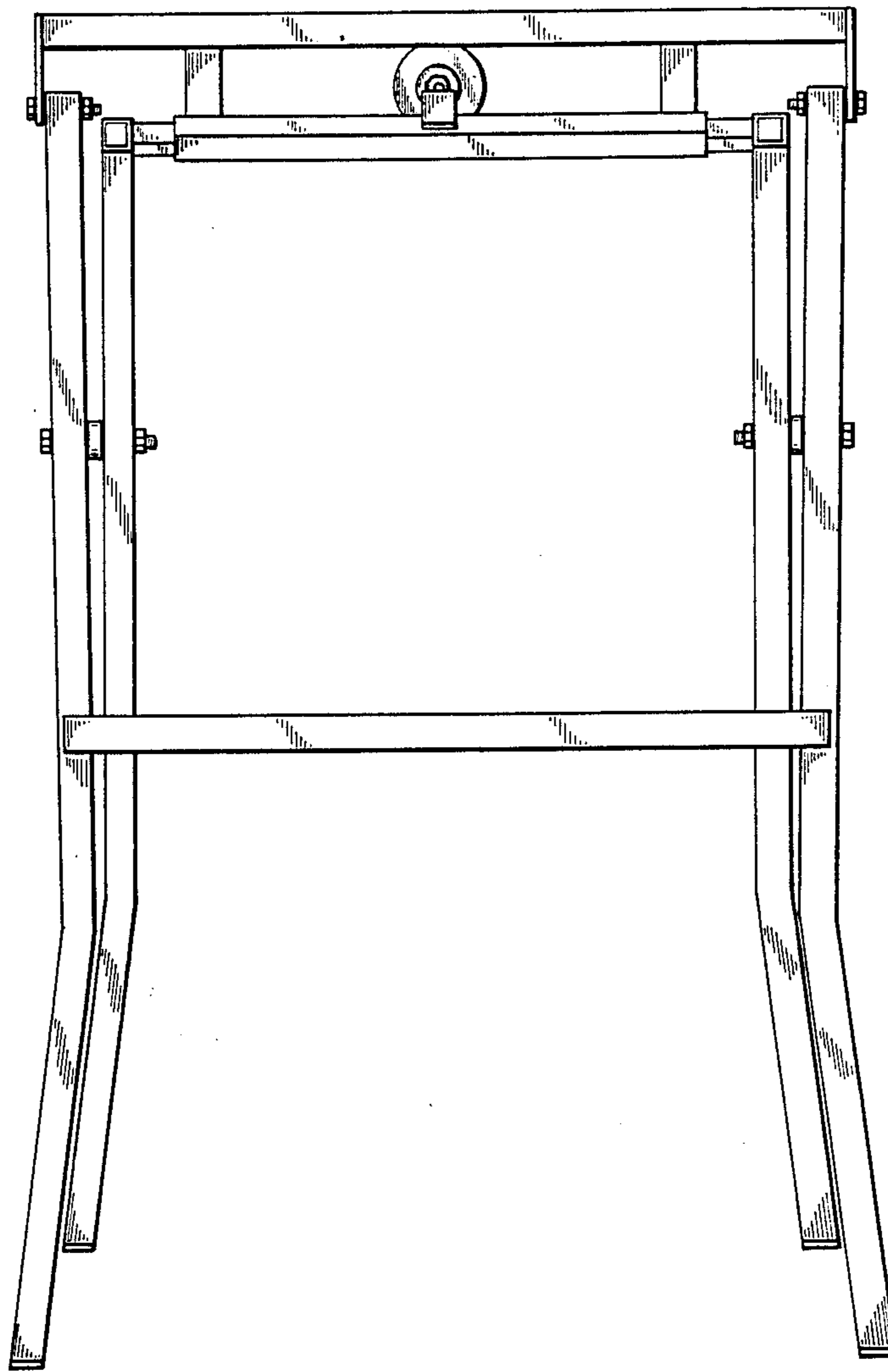
*Fig. 2*



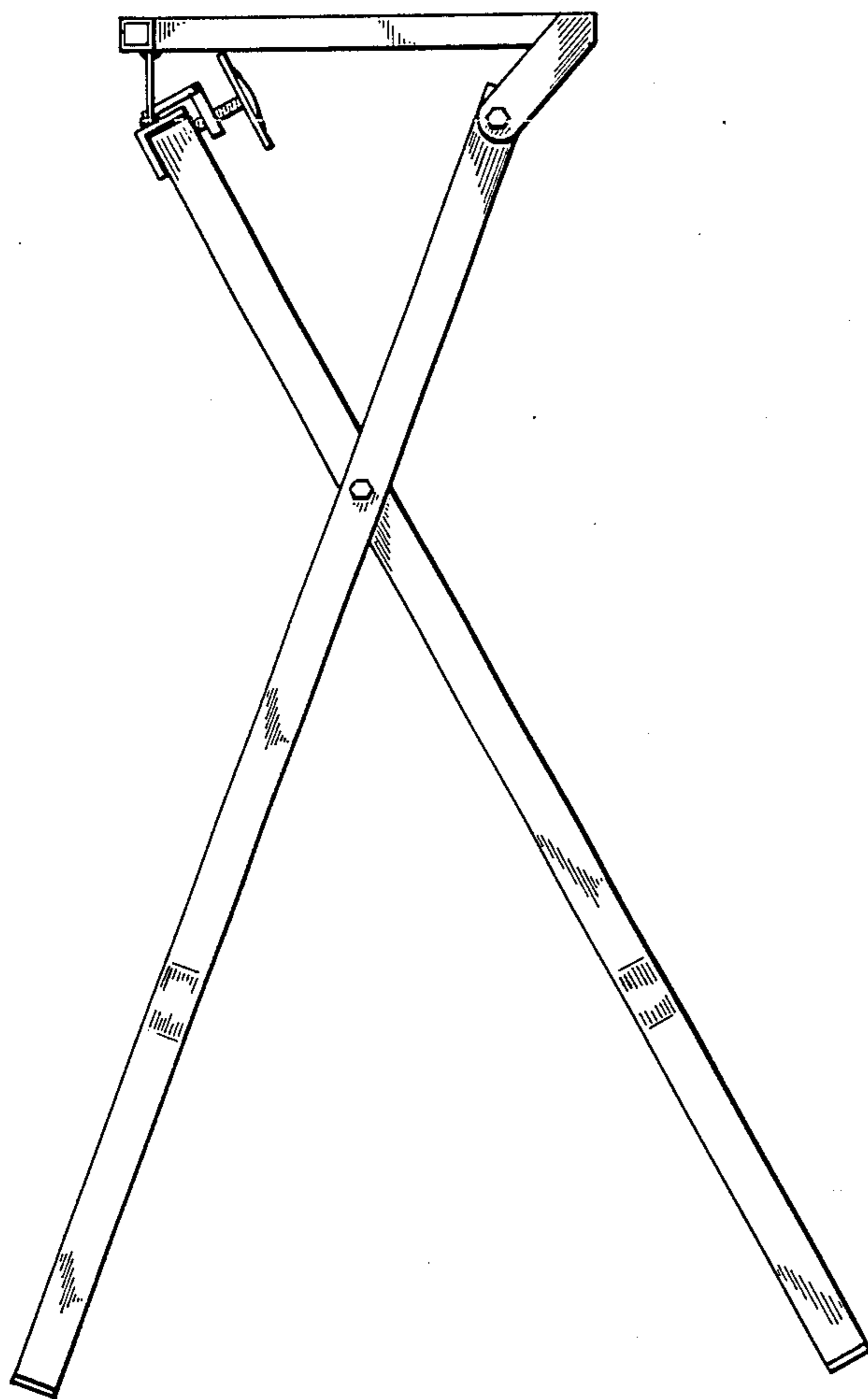
*Fig. 3*



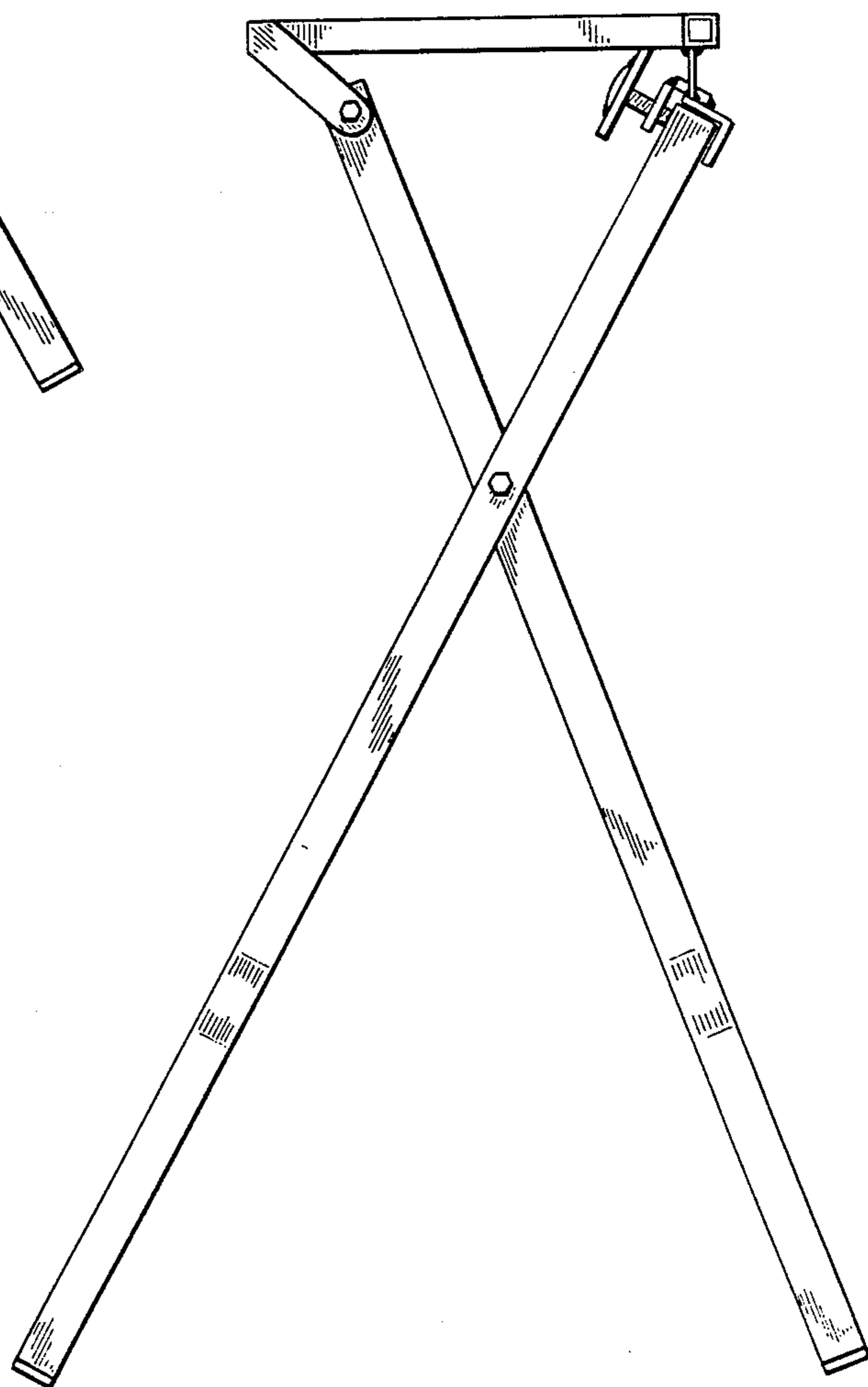
*Fig. 4*



*Fig. 5*



*Fig. 6*



*Fig. 7*