

[54] AUTOMATED TELLER MACHINE

D. 282,114 1/1986 Nishida D99/28
D. 283,746 5/1986 Kobayashi D99/28

[75] Inventors: Yoshinori Kakiuchi, Kawasaki, Japan; Luigi Di Benedetto, Los Angeles, Calif.

Primary Examiner—Winifred E. Herrmann
Assistant Examiner—John Warchol
Attorney, Agent, or Firm—Staas & Halsey

[73] Assignee: Fujitsu Limited, Kawasaki, Japan

[57] CLAIM

[**] Term: 14 Years

The ornamental design for an automated teller machine, as shown.

[21] Appl. No.: 7,827

[22] Filed: Jan. 28, 1987

[52] U.S. Cl. D99/28

[58] Field of Search D99/28, 43, 99; D20/1, D20/2; D14/102, 105, 107; 109/24.1, 66; 235/379, 381

DESCRIPTION

FIG. 1 is a front elevational view of an automated teller machine showing our new design; FIG. 2 is a left side elevational view thereof; FIG. 3 is a right side elevational view thereof; FIG. 4 is a rear elevational view thereof; FIG. 5 is a top plan view thereof; FIG. 6 is a bottom plan view thereof; and FIG. 7 is a top, front and left side perspective view thereof.

[56] References Cited

U.S. PATENT DOCUMENTS

D. 238,429 1/1976 Hermann D99/28

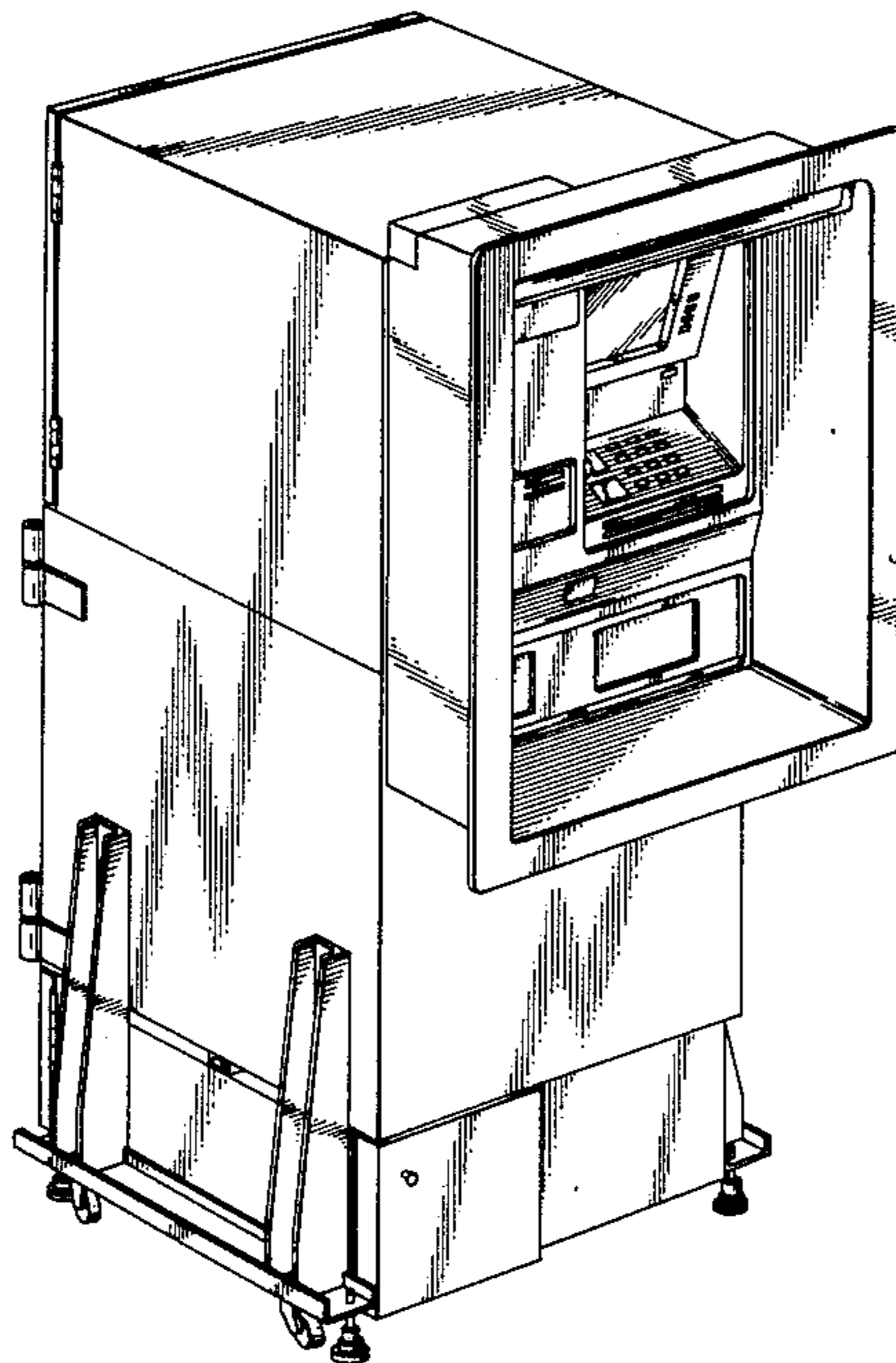


FIG. 2

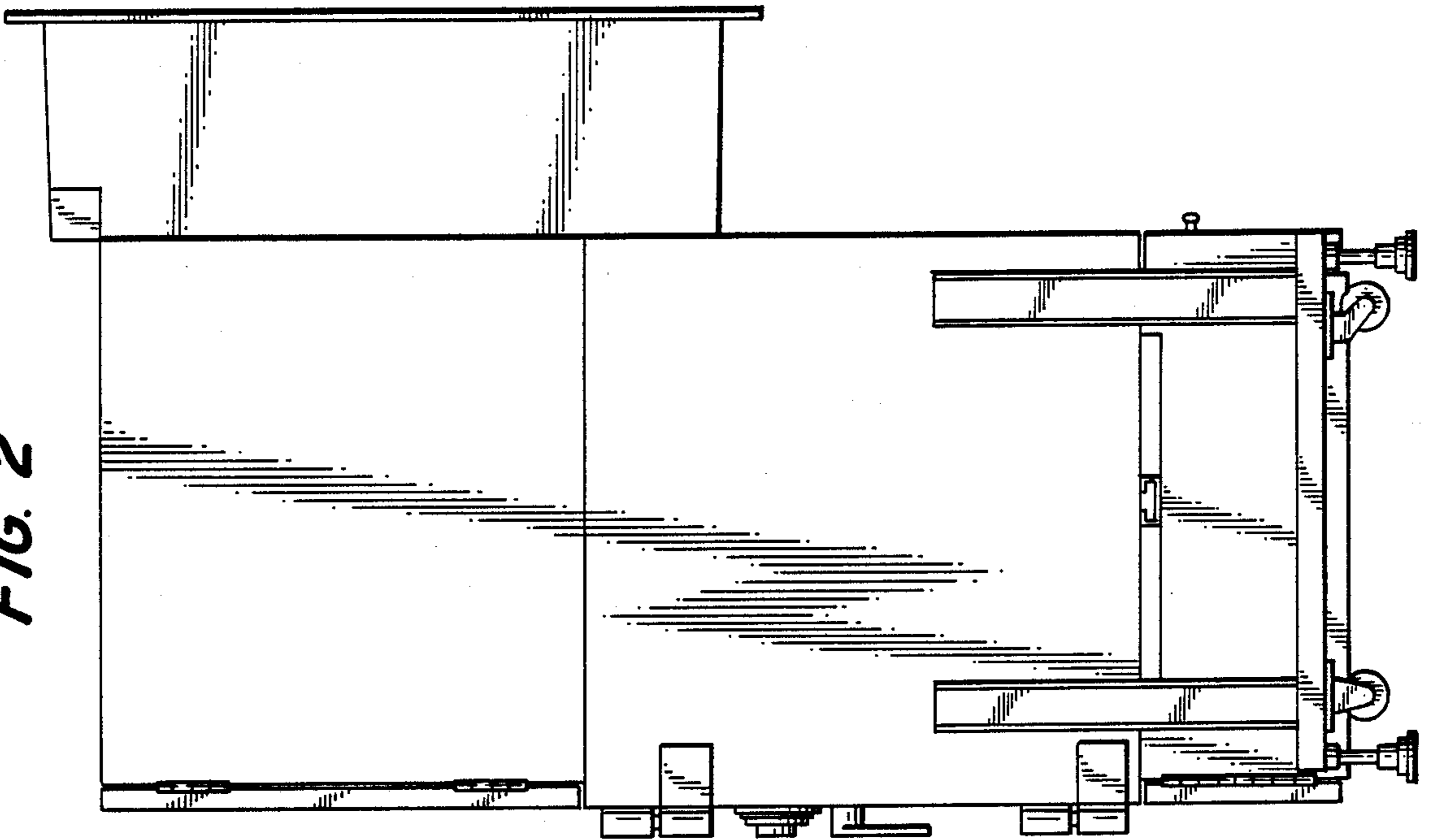
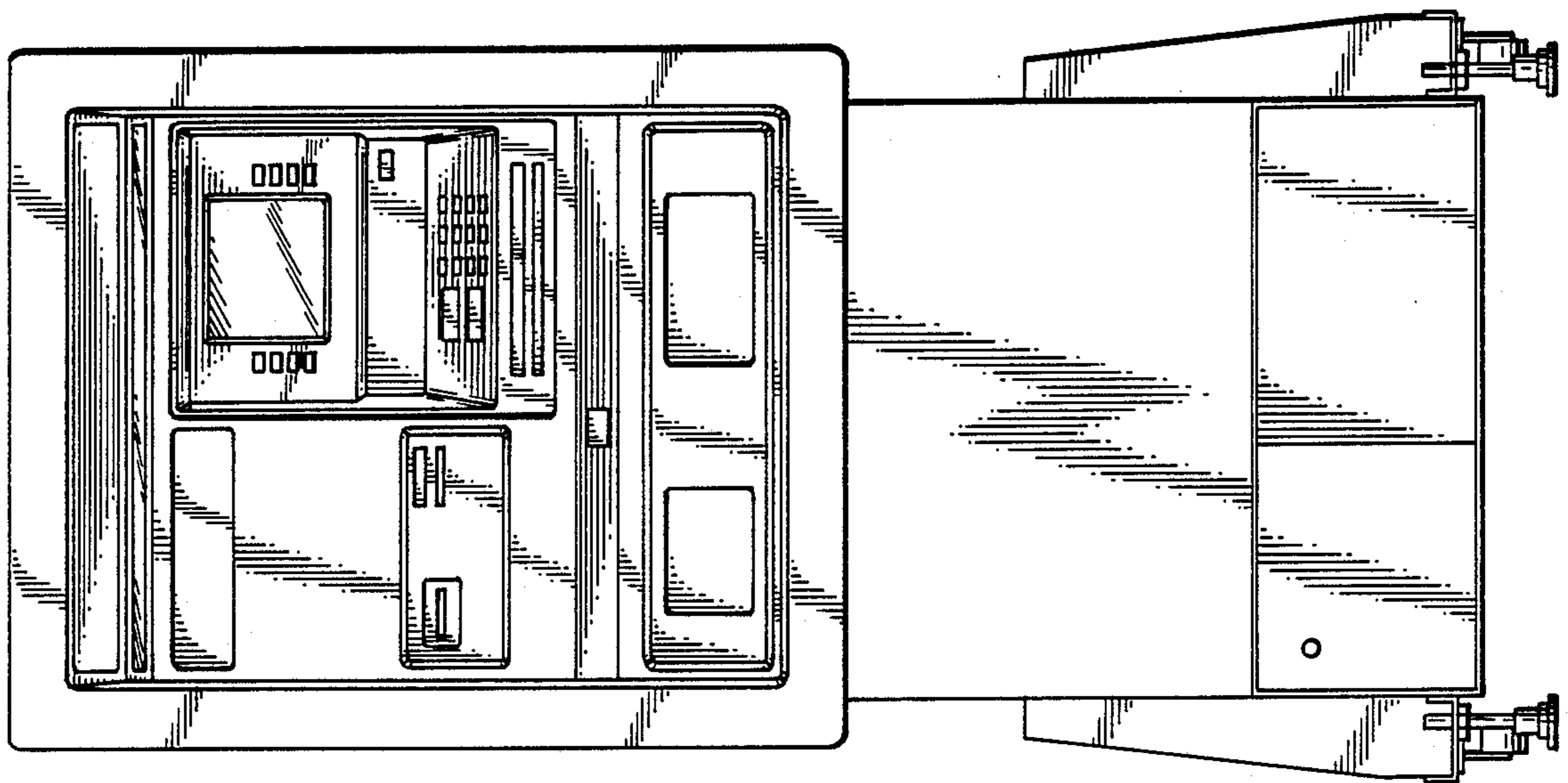


FIG. 1



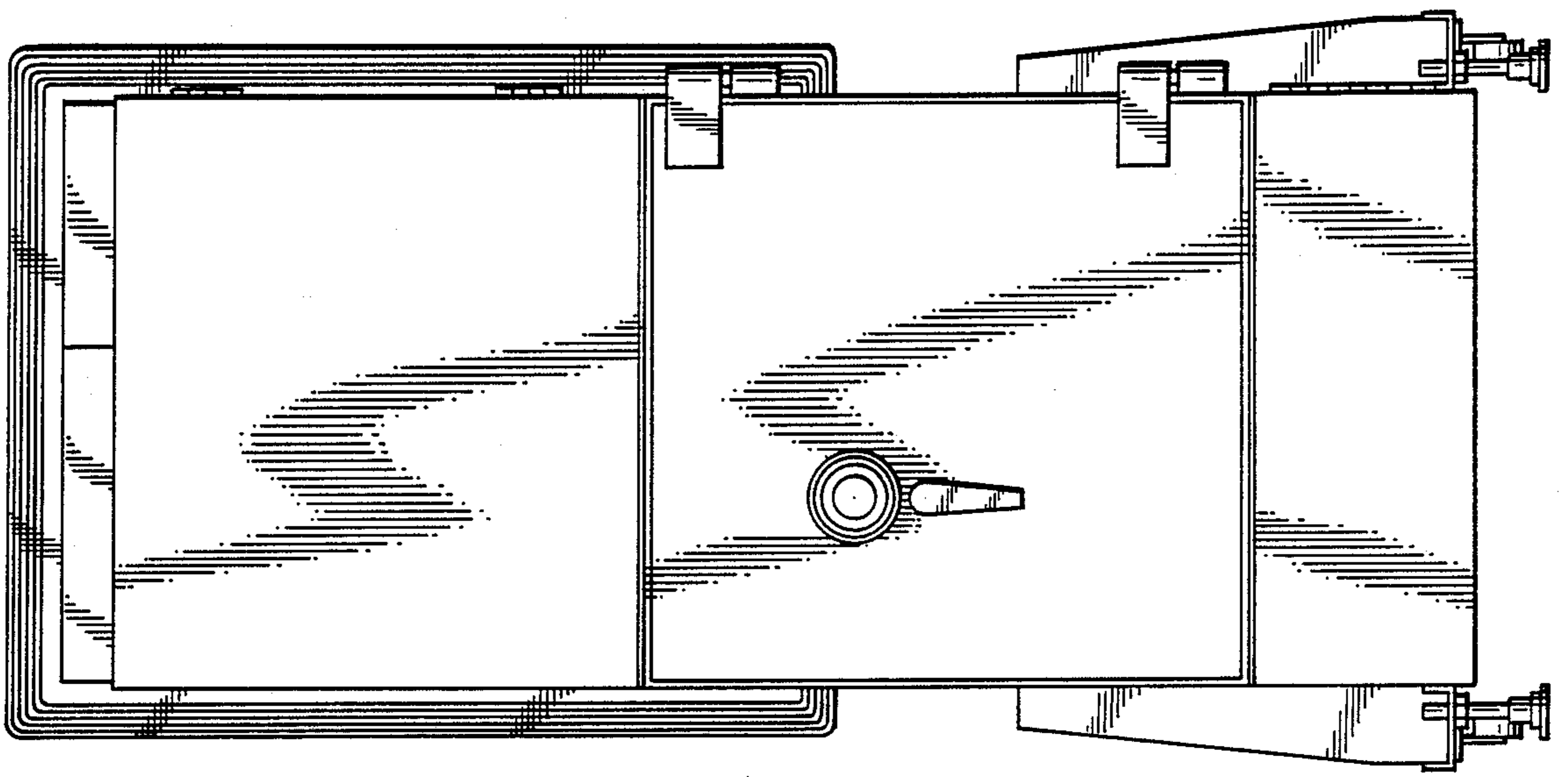


FIG. 4



FIG. 3

FIG. 5

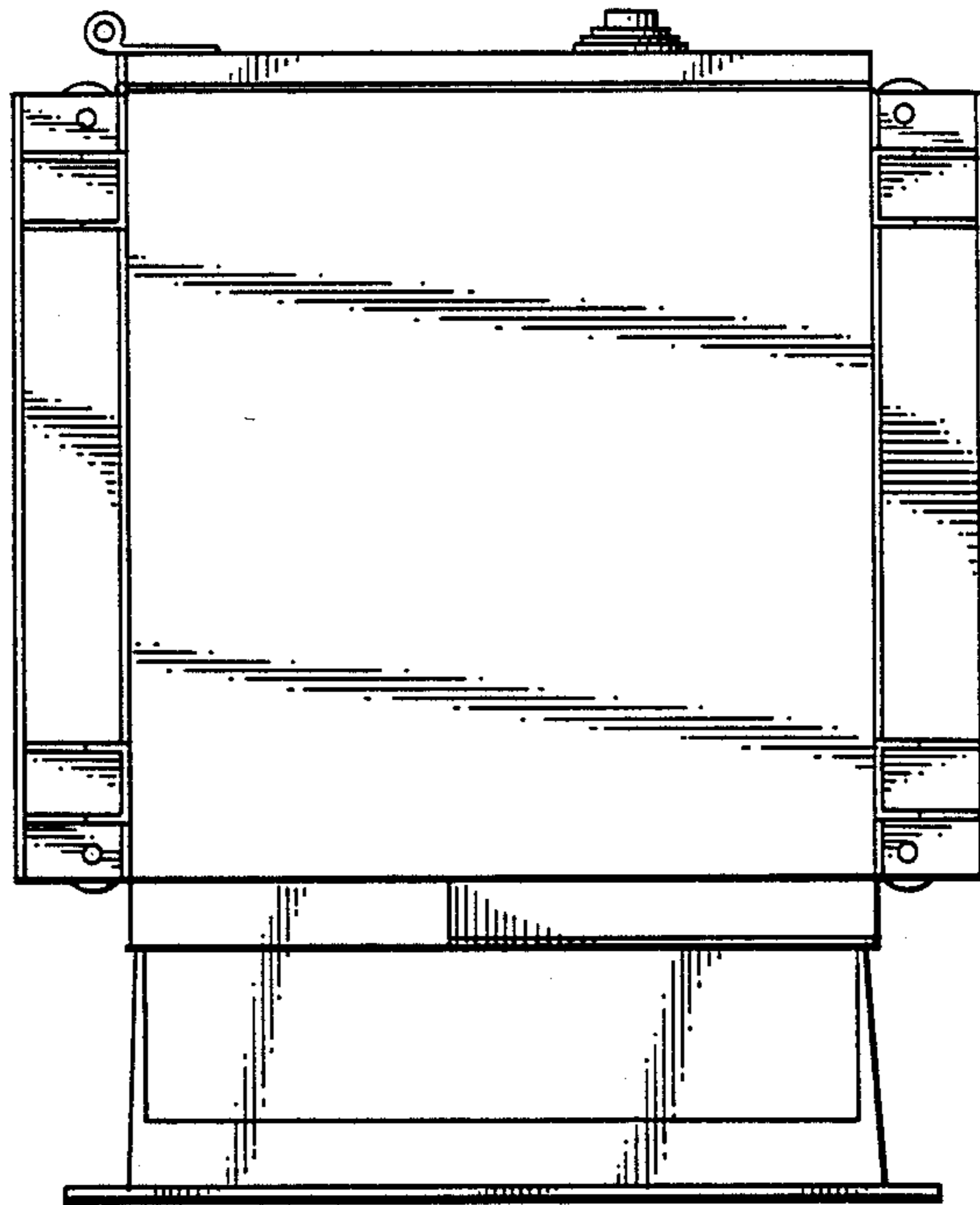


FIG. 6

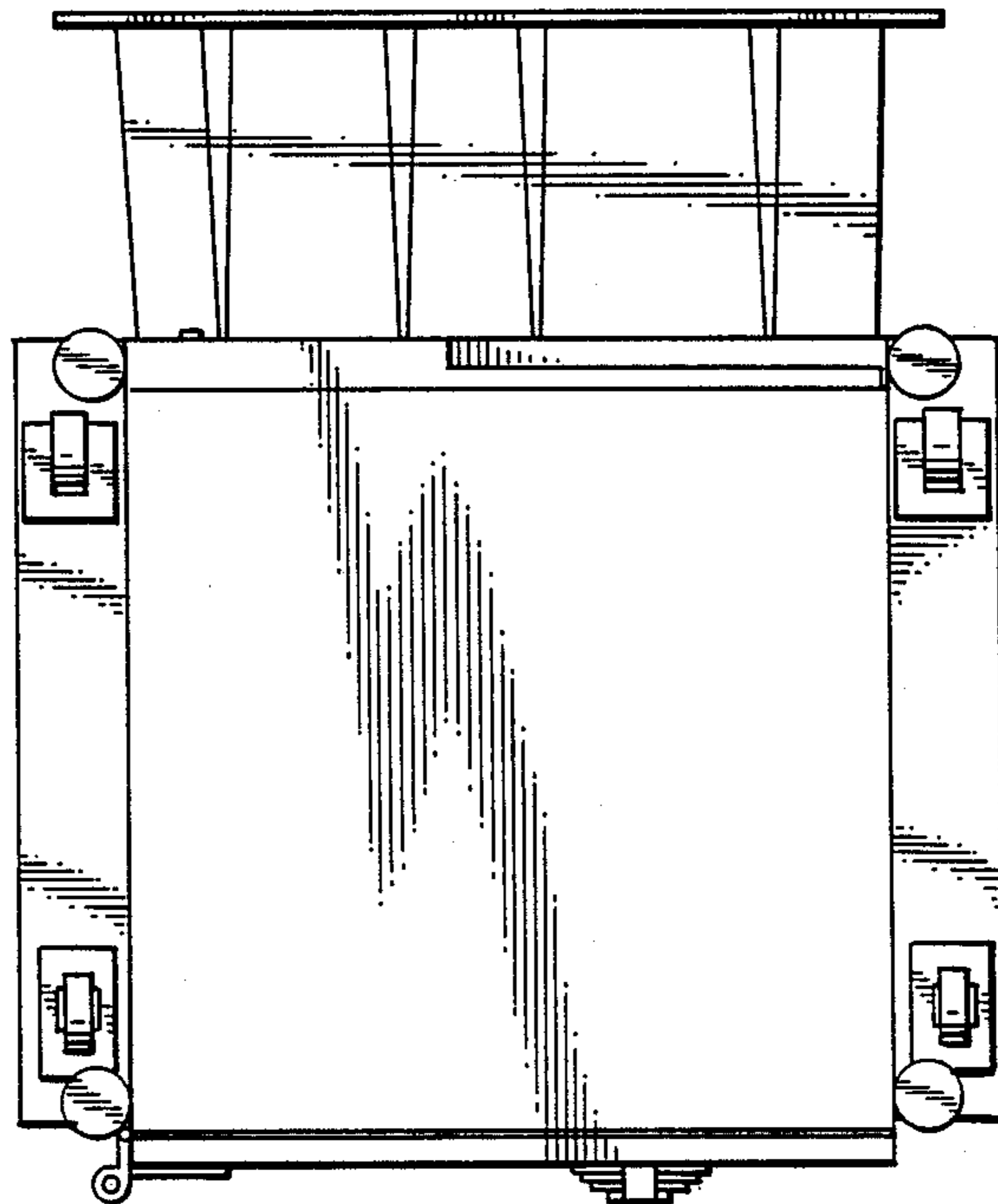


FIG. 7

