

[54] **SUPPLY TRAY**

[76] **Inventor: Ann M. Ireland, 1931 Wilcox Ave.,
Hollywood, Calif. 90068**

[**] **Term: 14 Years**

[21] **Appl. No.: 905,050**

[22] **Filed: Sep. 8, 1986**

[52] **U.S. Cl. D34/40**

[58] **Field of Search D34/40-46;
D7/37, 70; 206/203, 503, 505, 509, 510, 513,
557; 220/1.5, 23.83, 23.6, 20; 211/88, 126;
D9/341, 342, 434, 425, 347; D19/25**

[56] **References Cited**

U.S. PATENT DOCUMENTS

- D. 251,586 4/1979 Leuenhagen D9/425
- D. 269,657 7/1983 Taylor D34/40
- D. 275,918 10/1984 Taylor D34/40
- D. 276,090 10/1984 Gibson D34/43

- D. 277,297 2/1985 Chabot D34/43
- D. 298,604 11/1988 Newton D34/40
- 4,247,004 1/1981 Bird 206/509
- 4,711,356 12/1987 Dunden 220/23.6

Primary Examiner—Bernard Ansher
Assistant Examiner—Prabhakar Deshmukh
Attorney, Agent, or Firm—Frank L. Zugelter

[57] **CLAIM**

The ornamental design for a supply tray, as shown.

DESCRIPTION

FIG. 1 is a rear perspective view of a supply tray showing my new design;
FIG. 2 is a front perspective view thereof;
FIG. 3 is a top plan view thereof;
FIG. 4 is a front elevation thereof;
FIG. 5 is a right side elevation thereof;
FIG. 6 is a left side elevation thereof;
FIG. 7 is a rear side elevation thereof; and
FIG. 8 is a bottom plan view thereof.

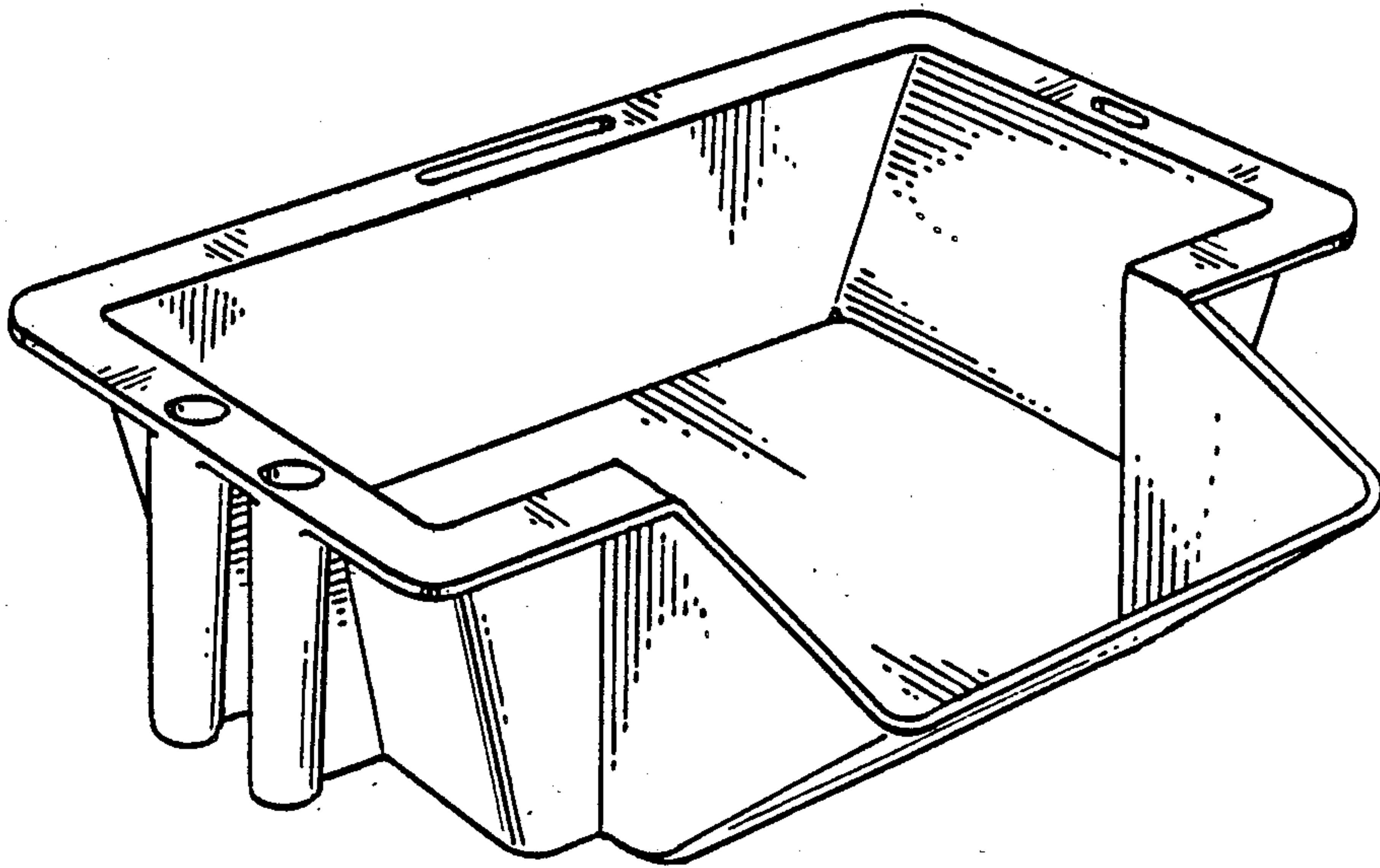


FIG. 1.

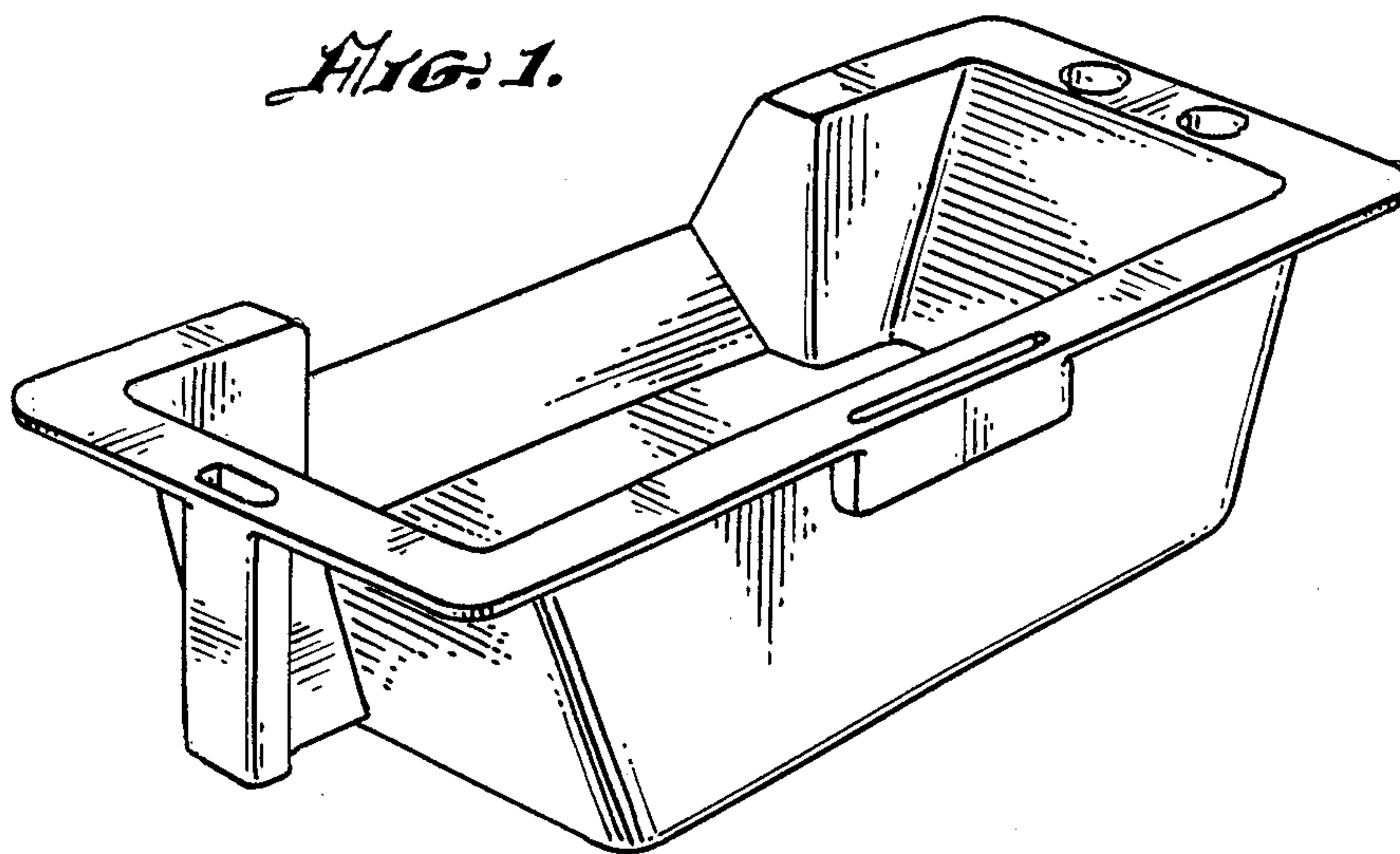
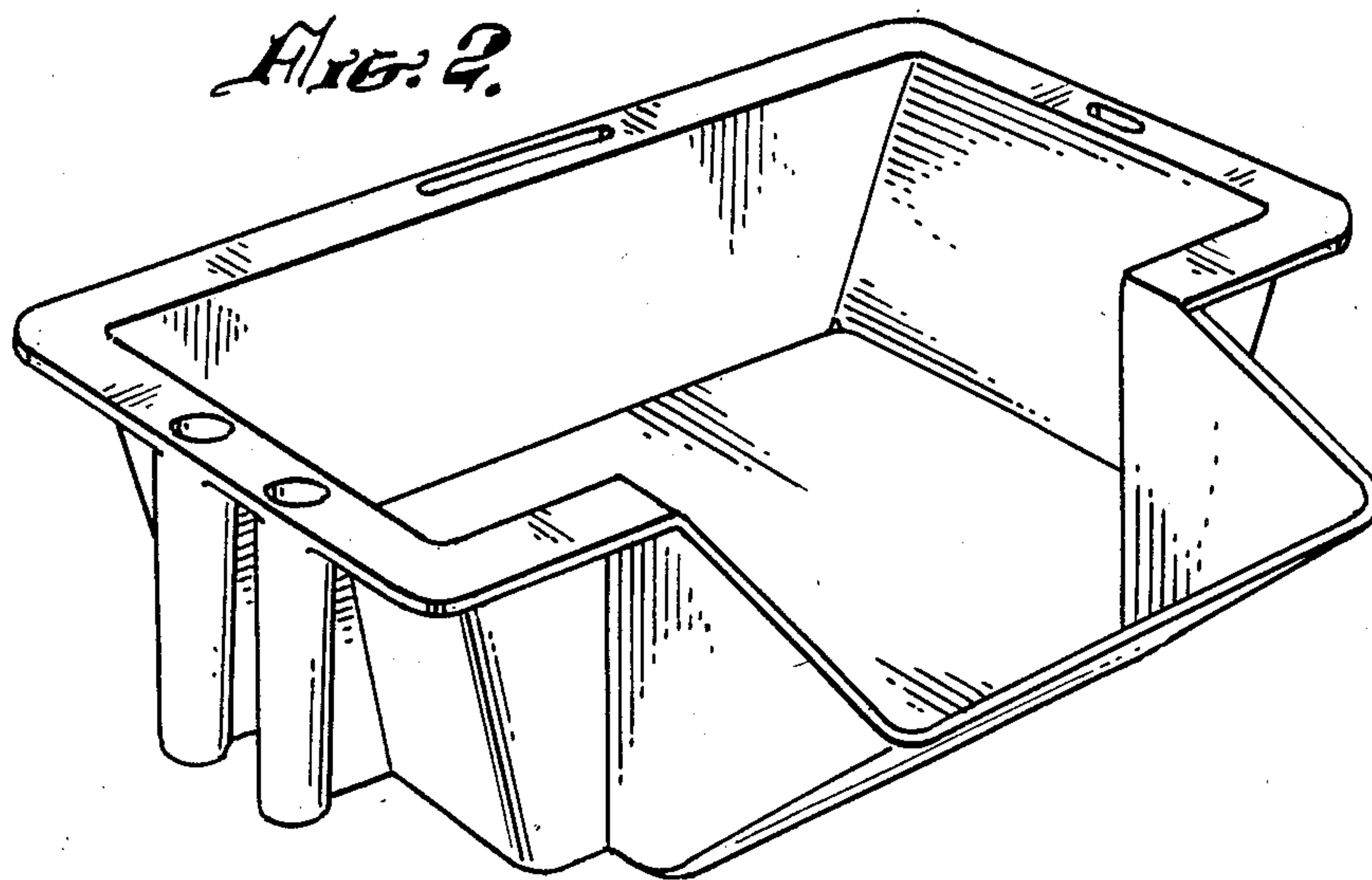


FIG. 2.



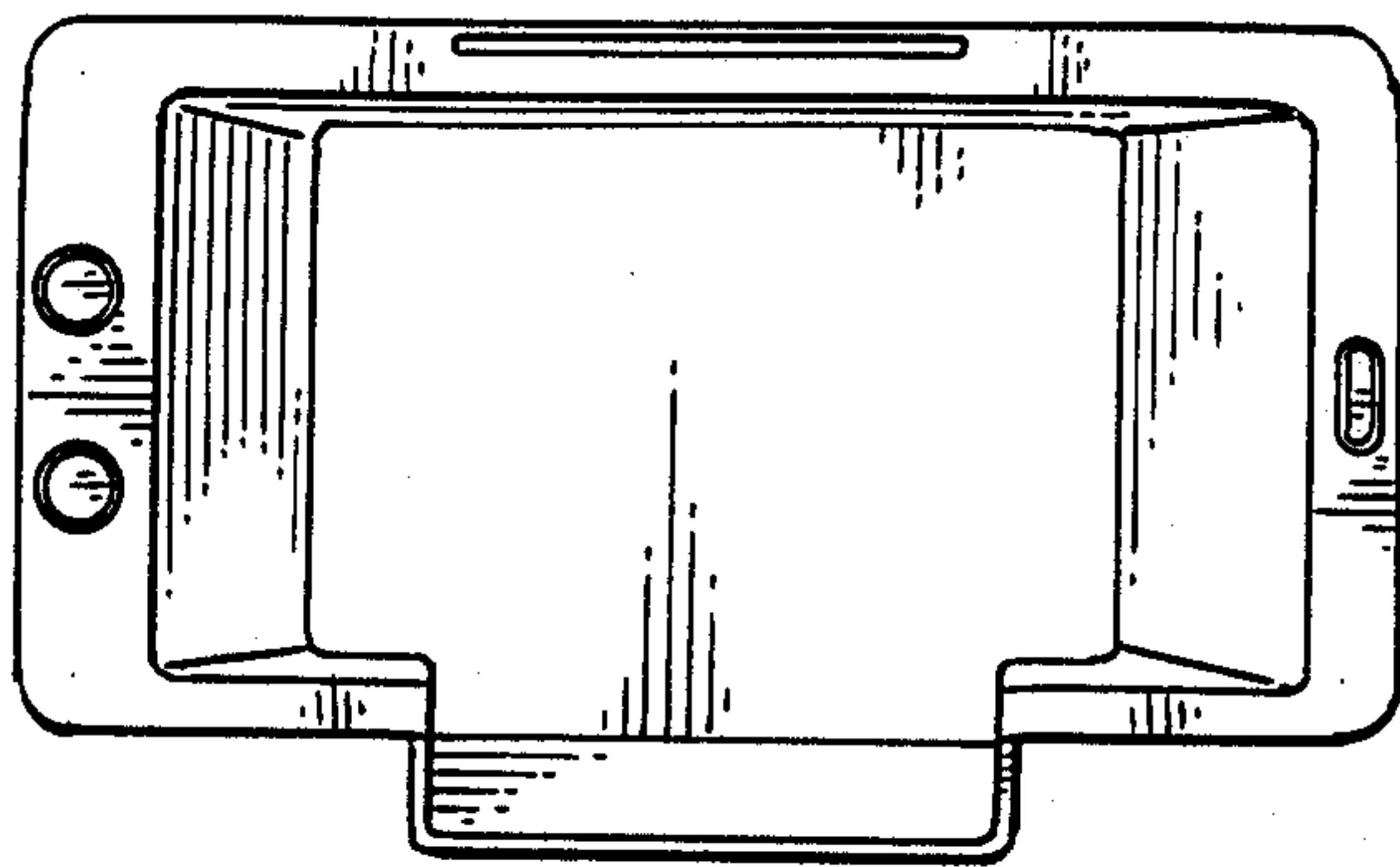


FIG. 3.

FIG. 4.

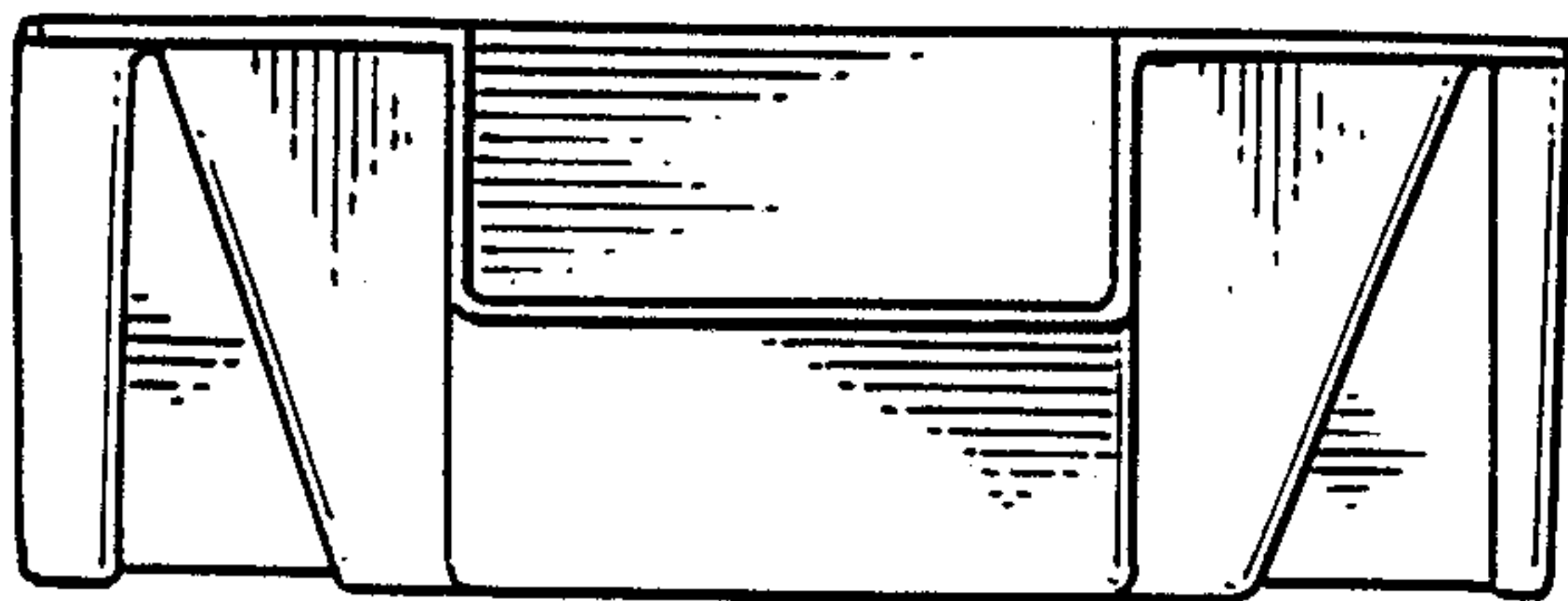


FIG. 5.

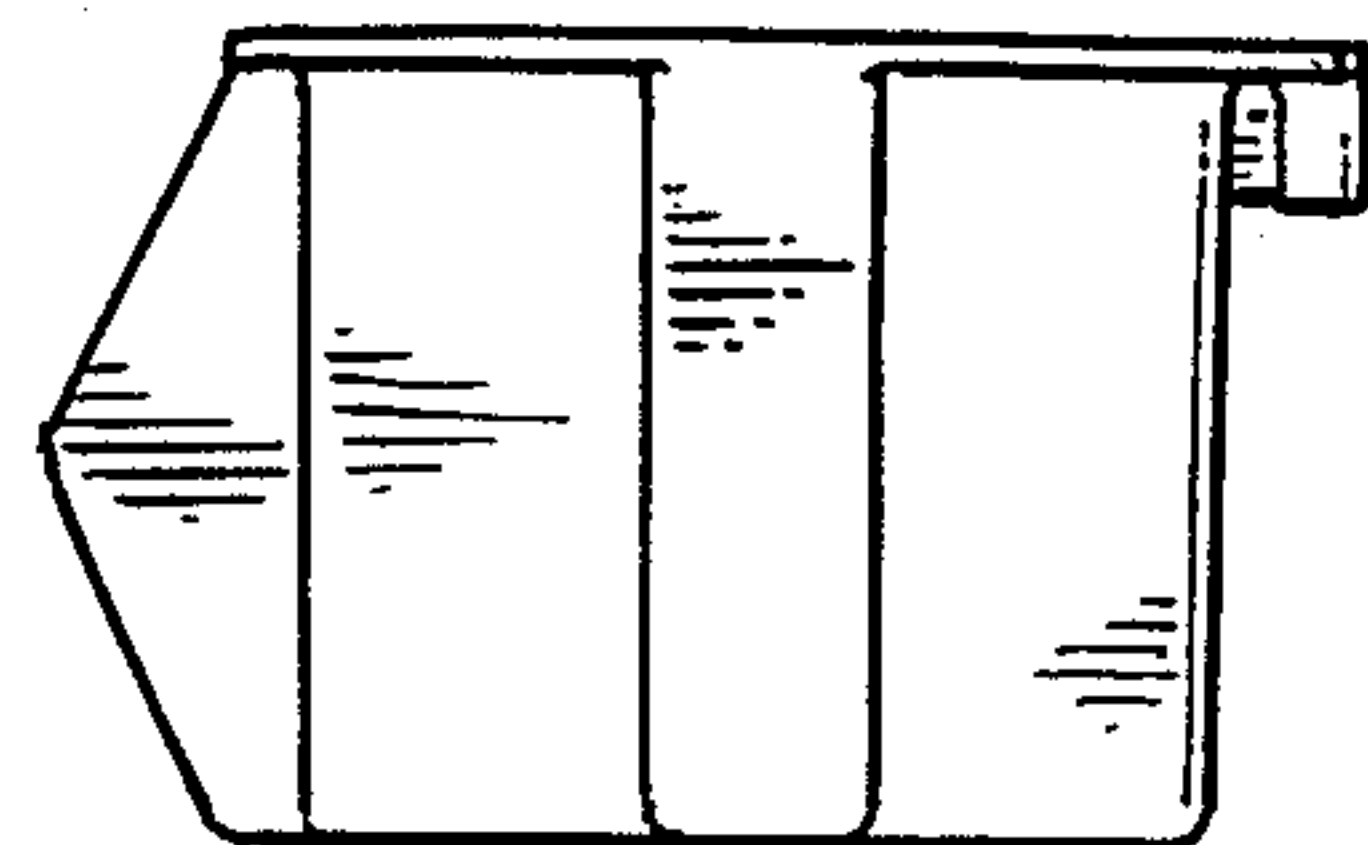


FIG. 6.

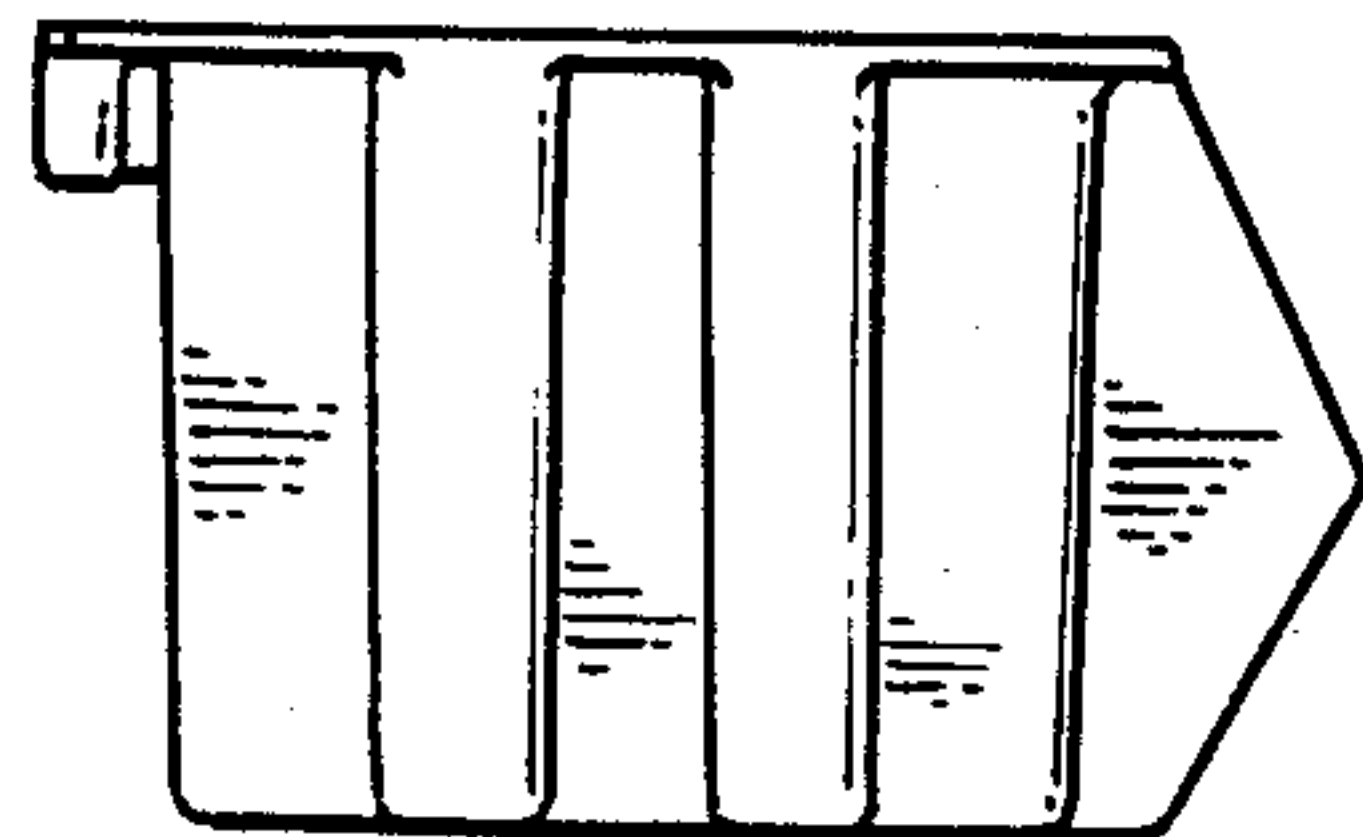


FIG. 7.

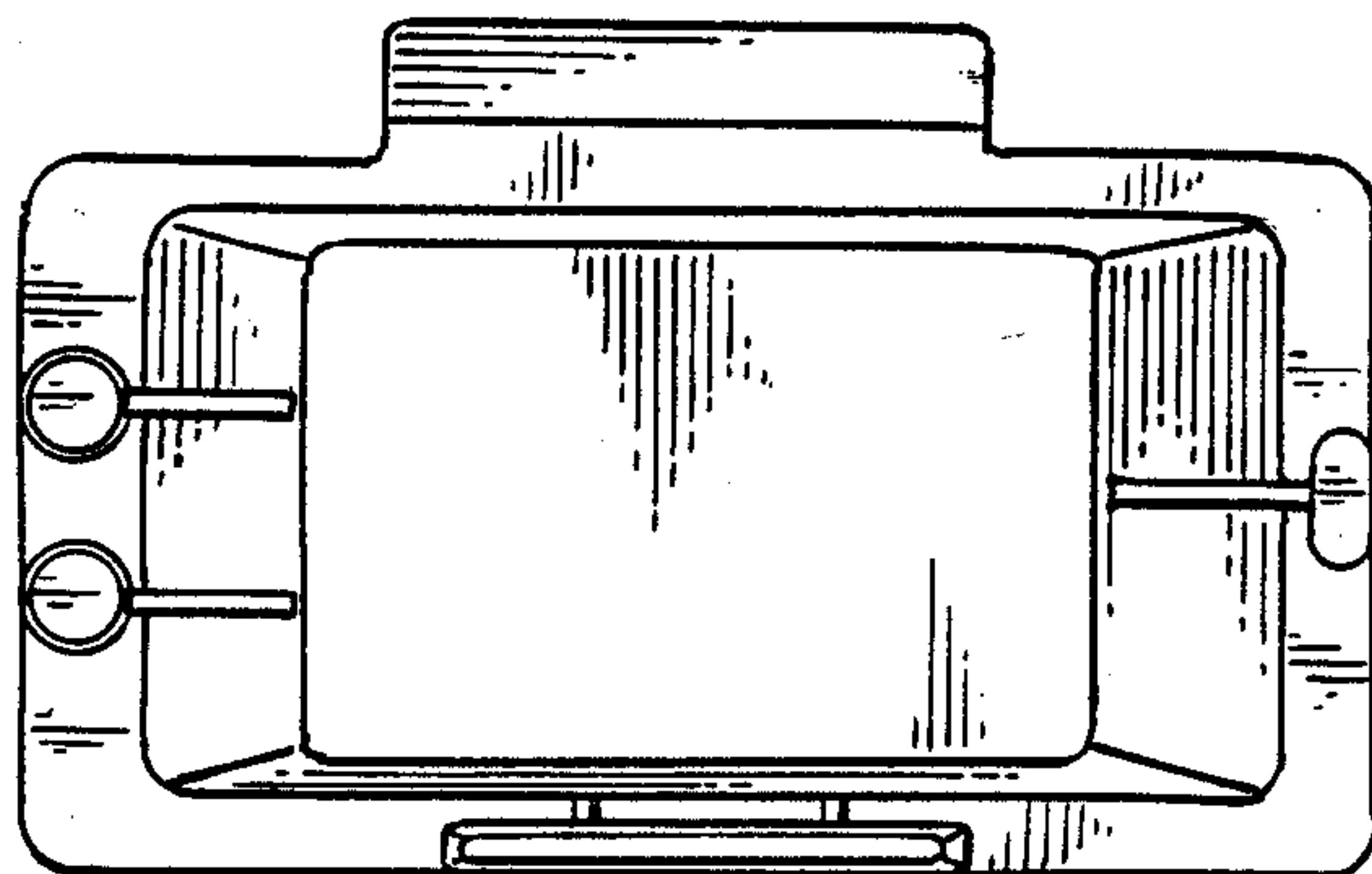
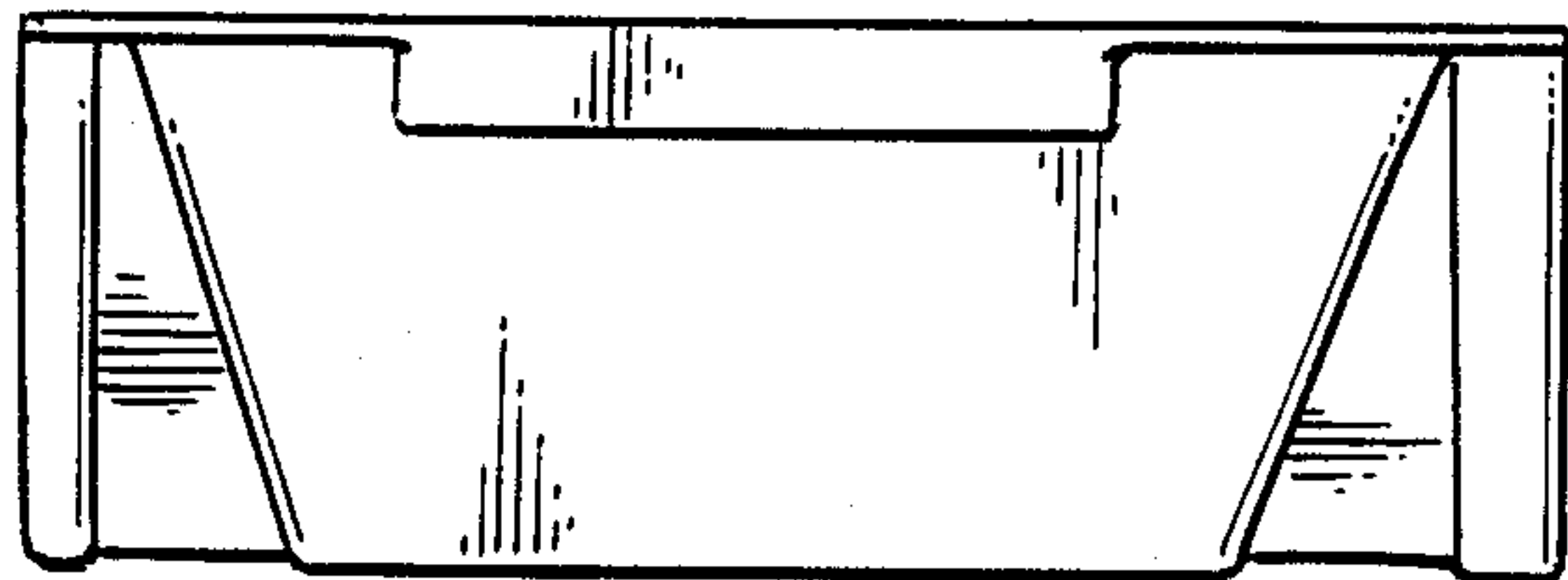


FIG. 8.