

[54] VENTILATING COVER FOR CONTAINER

1,509,549 9/1924 Freeland 217/42
4,613,053 9/1986 Kimura 220/22

[76] Inventor: Seo Y. Jun, 1-1205, Hongsil
Apartment, 79 Samsung-Dong,
Kangnam-Ku, Seoul, Rep. of Korea

Primary Examiner—Louis S. Zarfes
Assistant Examiner—R. Seifert
Attorney, Agent, or Firm—Burns, Doane, Swecker &
Mathis

[**] Term: 14 Years

[21] Appl. No.: 823,042

[57] CLAIM

[22] Filed: Jan. 27, 1986

The ornamental design for a ventilating cover for con-
tainer, as shown and described.

[30] Foreign Application Priority Data

Sep. 6, 1985 [KR] Rep. of Korea 12619/85

[52] U.S. Cl. D34/28; D3/30.1

[58] Field of Search D9/434, 435; 229/43;
220/200, DIG. 27, 366, 367, 22; 215/200;
D34/28; D3/30.1; 217/42, 44

DESCRIPTION

[56] References Cited

U.S. PATENT DOCUMENTS

D. 164,628 9/1951 Davis D9/435
D. 257,939 1/1981 Conti D9/435
D. 271,554 11/1983 Grusin D9/435

FIG. 1 is a top perspective view of a ventilating cover for container showing my new design;
FIG. 2 is a rear perspective view thereof;
FIG. 3 is a top plan view thereof;
FIG. 4 is a front elevational view thereof;
FIG. 5 is a rear elevational view thereof;
FIG. 6 is a bottom plan view thereof;
FIG. 7 is a right side elevational view thereof, the left side being a mirror image;
FIG. 8 is a sectional view taken in the direction of the arrows 8—8 of FIG. 3.

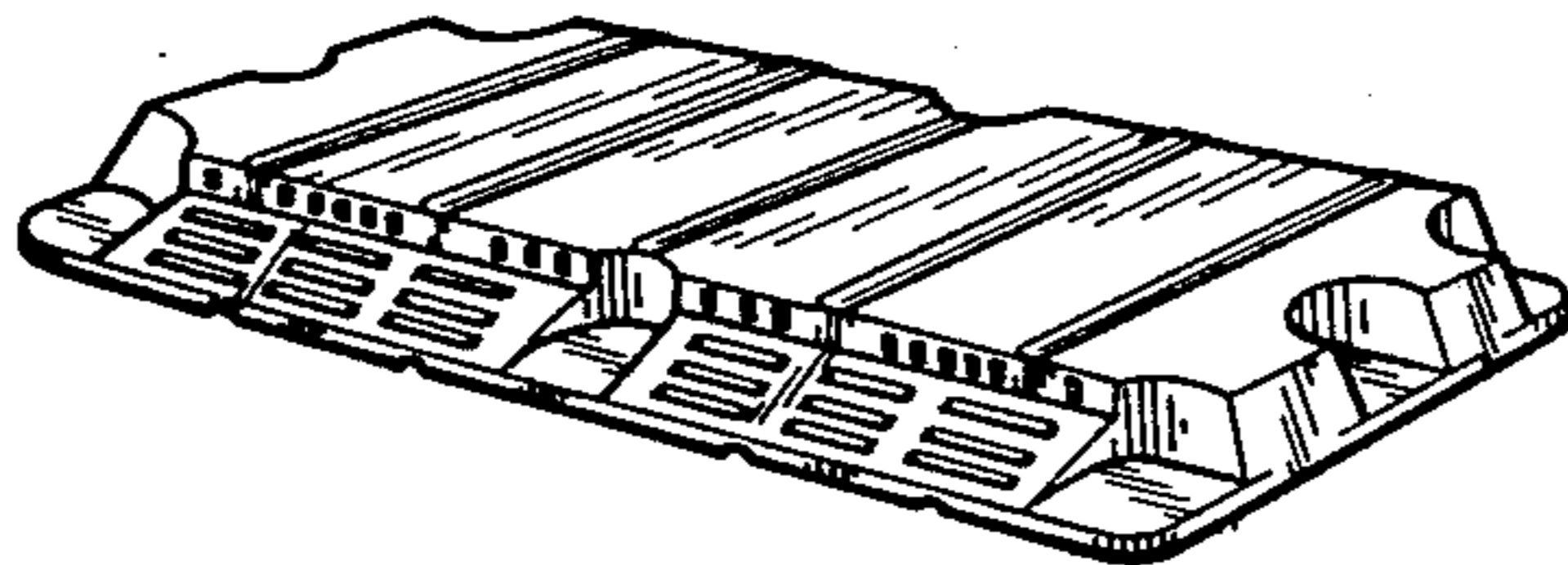
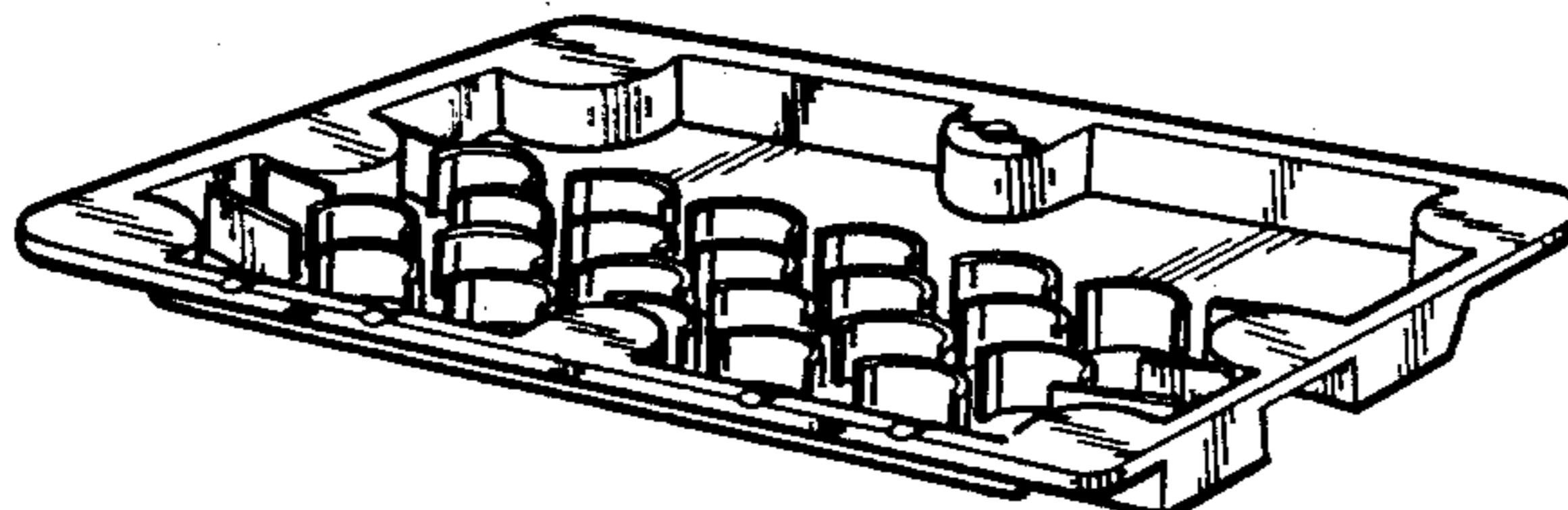


Fig 1.

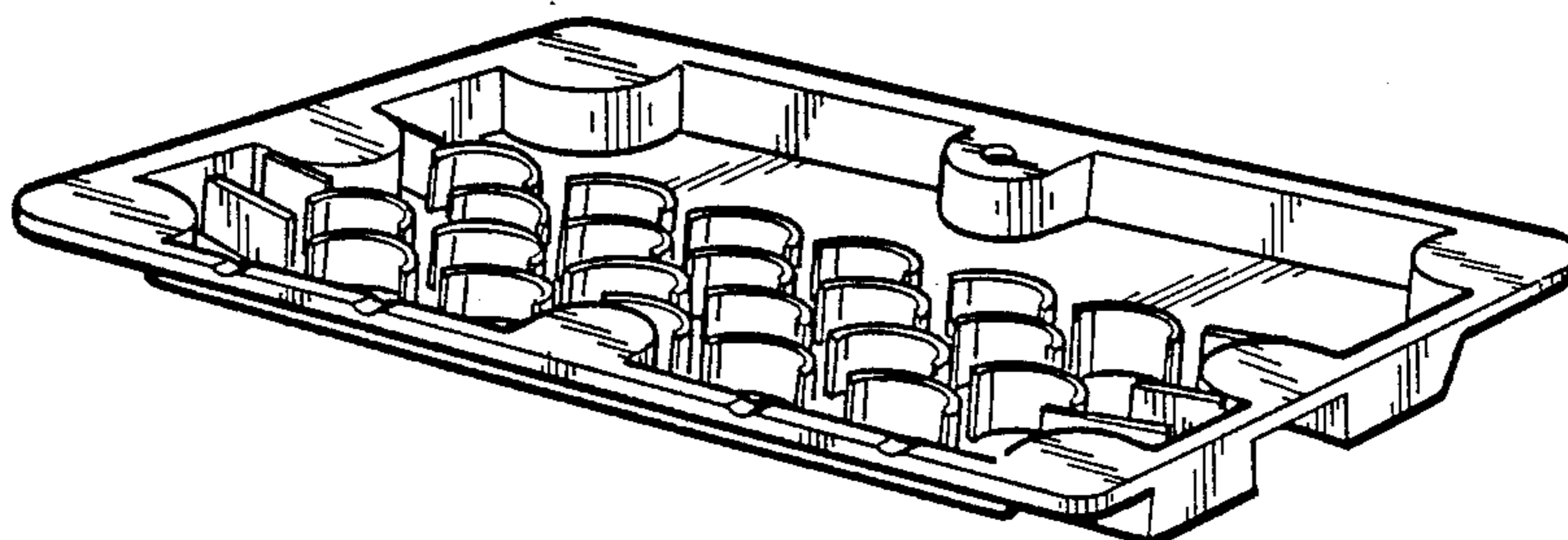


Fig 2.

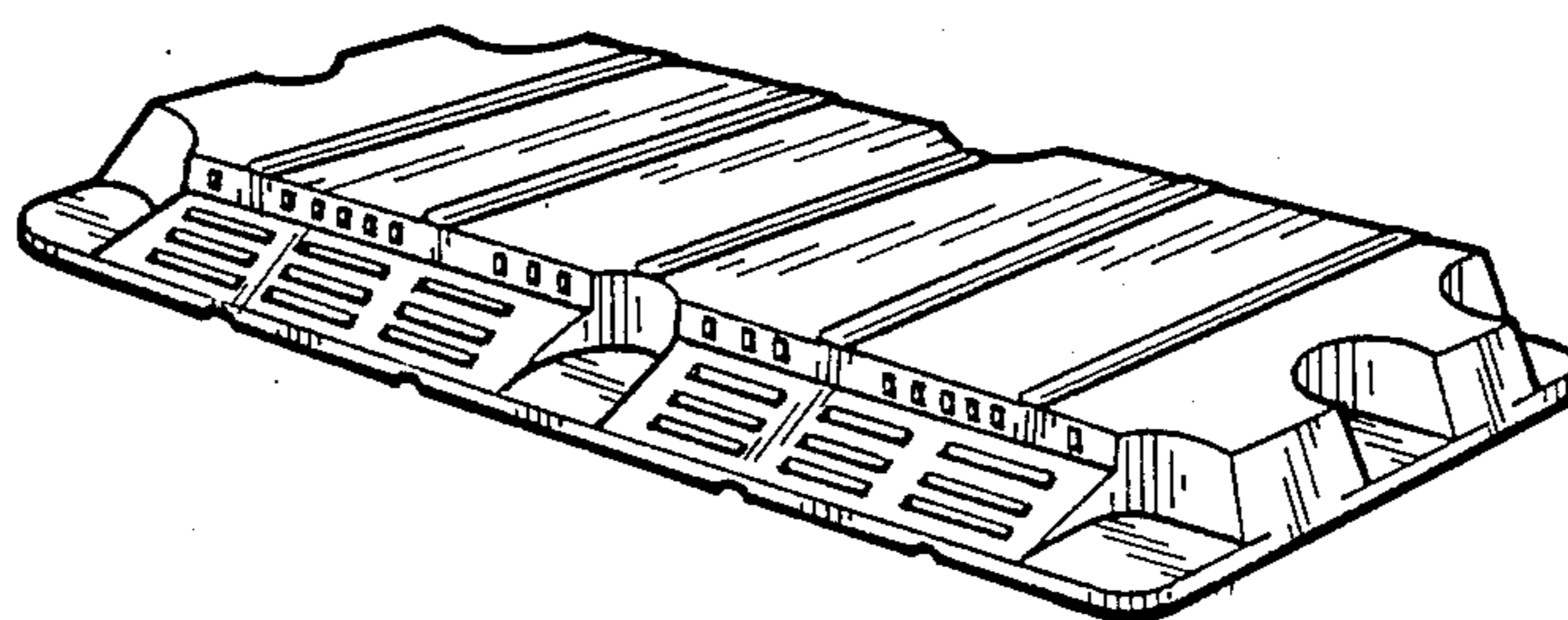


Fig 3.

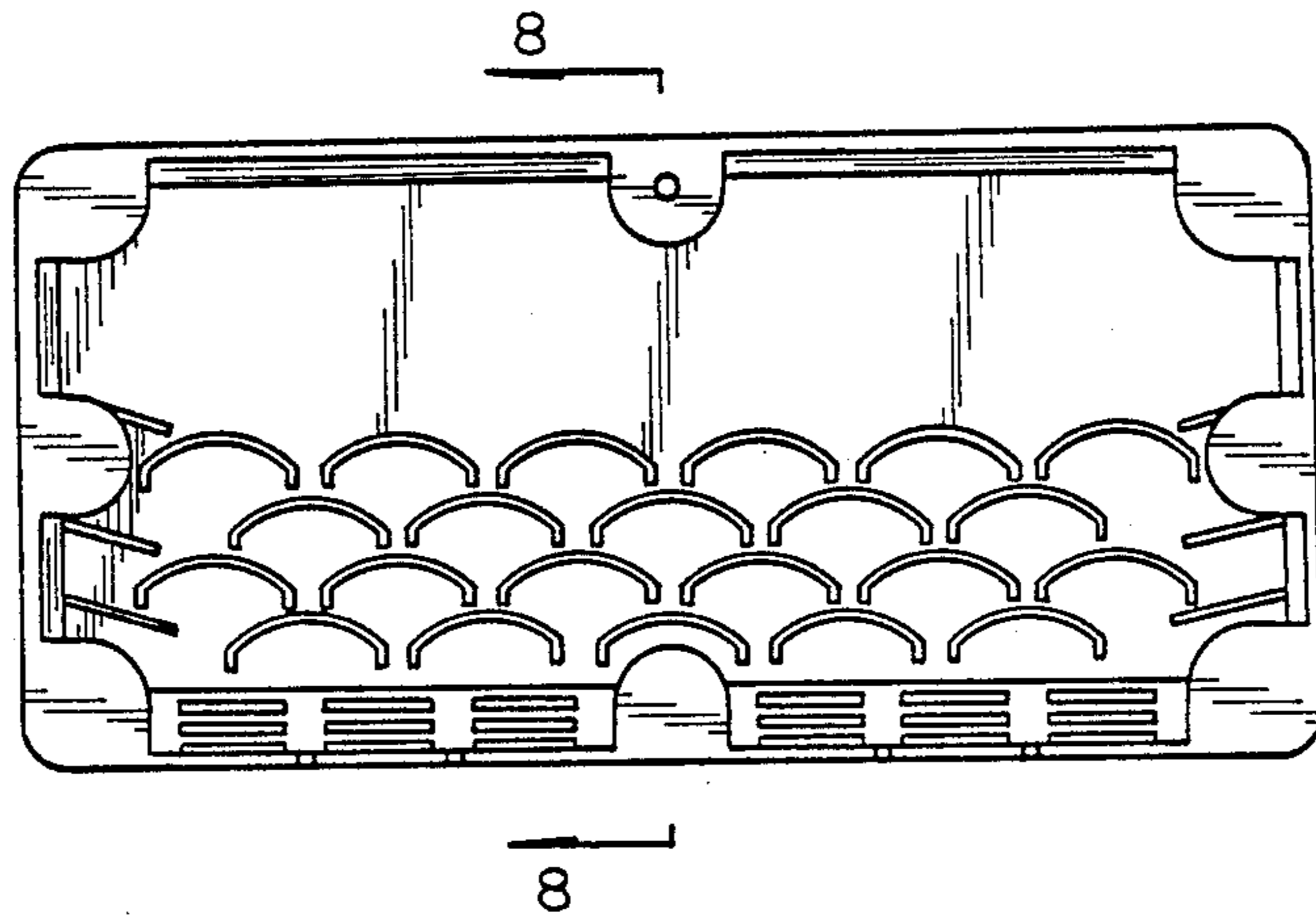


Fig 4.

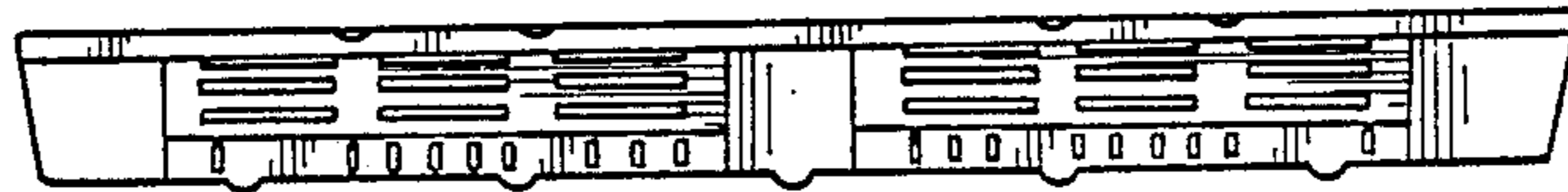


Fig 5.



Fig 6.

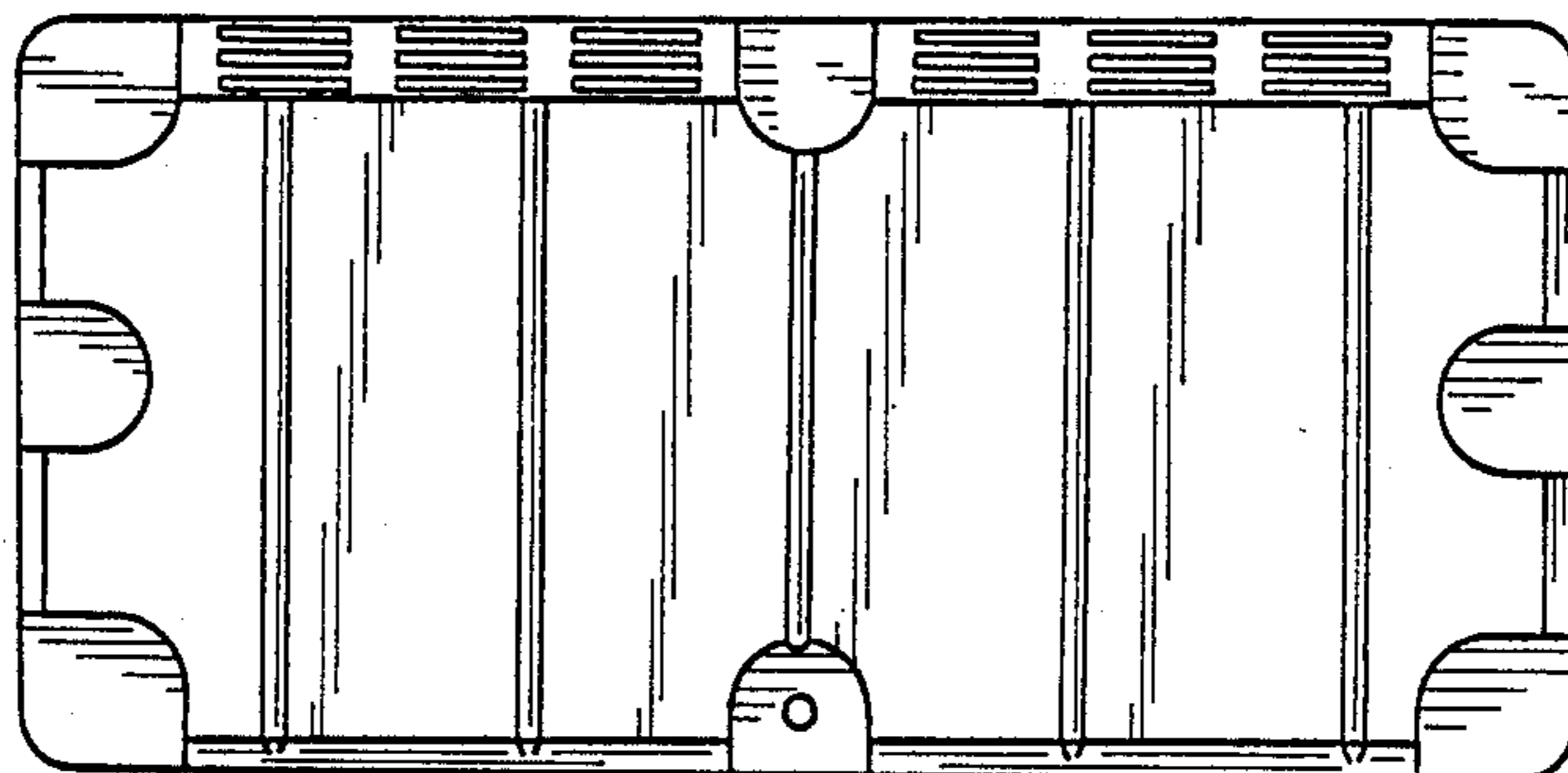


Fig 7.

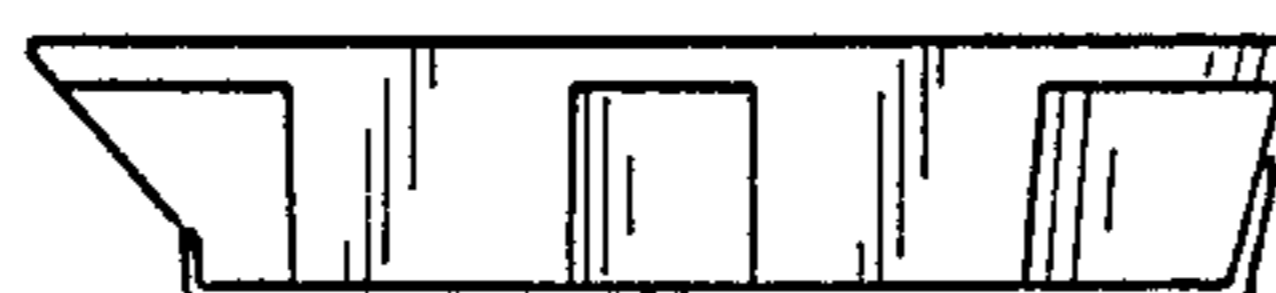


Fig 8.

