

United States Patent [19]

Barrett et al.

[11] Patent Number: **Des. 304,635**

[45] Date of Patent: **** Nov. 14, 1989**

[54] **CART**

[75] Inventors: **William H. Barrett, Woodstock; Joseph A. Gregory, Kingston; Lisa M. Mohr; David L. Schaum, both of Woodstock, all of N.Y.**

[73] Assignee: **International Business Machines Corporation, Armonk, N.Y.**

[**] Term: **14 Years**

[21] Appl. No.: **926,473**

[22] Filed: **Nov. 3, 1986**

[52] U.S. Cl. **D34/19; D34/17**

[58] Field of Search **D34/12, 17, 19, 20, D34/21, 23; 280/47.34, 43.24, 79.2**

[56] **References Cited**

U.S. PATENT DOCUMENTS

Re. 30,191	1/1980	Mautz	280/43.24
2,202,068	5/1940	Schreck	280/47.34
2,873,993	2/1959	Sauke	280/79.2

3,889,967	6/1975	Sauer	280/79.2
3,894,753	7/1975	Ickes	280/47.34
4,062,556	12/1977	Evans	280/79.2

Primary Examiner—Wallace R. Burke
Assistant Examiner—Kay H. Chin
Attorney, Agent, or Firm—Mark S. Walker; George E. Clark

[57] **CLAIM**

The ornamental design for cart, as shown and described.

DESCRIPTION

FIG. 1 is a front, right perspective view of a cart showing our new design;
FIG. 2 is a front, left perspective view thereof;
FIG. 3 is a front elevational view thereof;
FIG. 4 is a rear elevational view thereof;
FIG. 5 is a left side elevational view thereof;
FIG. 6 is a right side elevational view thereof;
FIG. 7 is a rear perspective view thereof;
FIG. 8 is a top plan view thereof; and
FIG. 9 is a bottom plan view thereof.

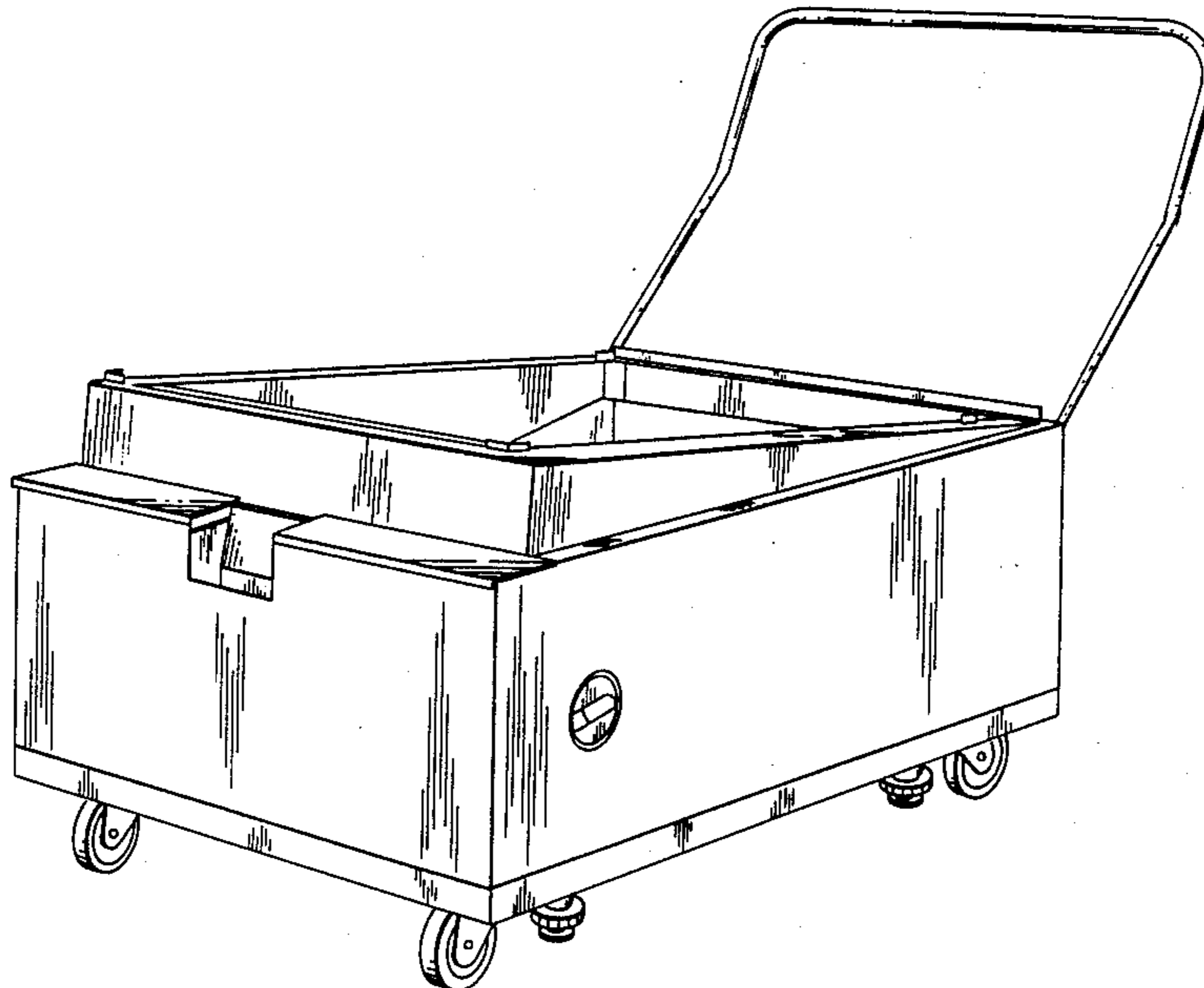


FIG. 1

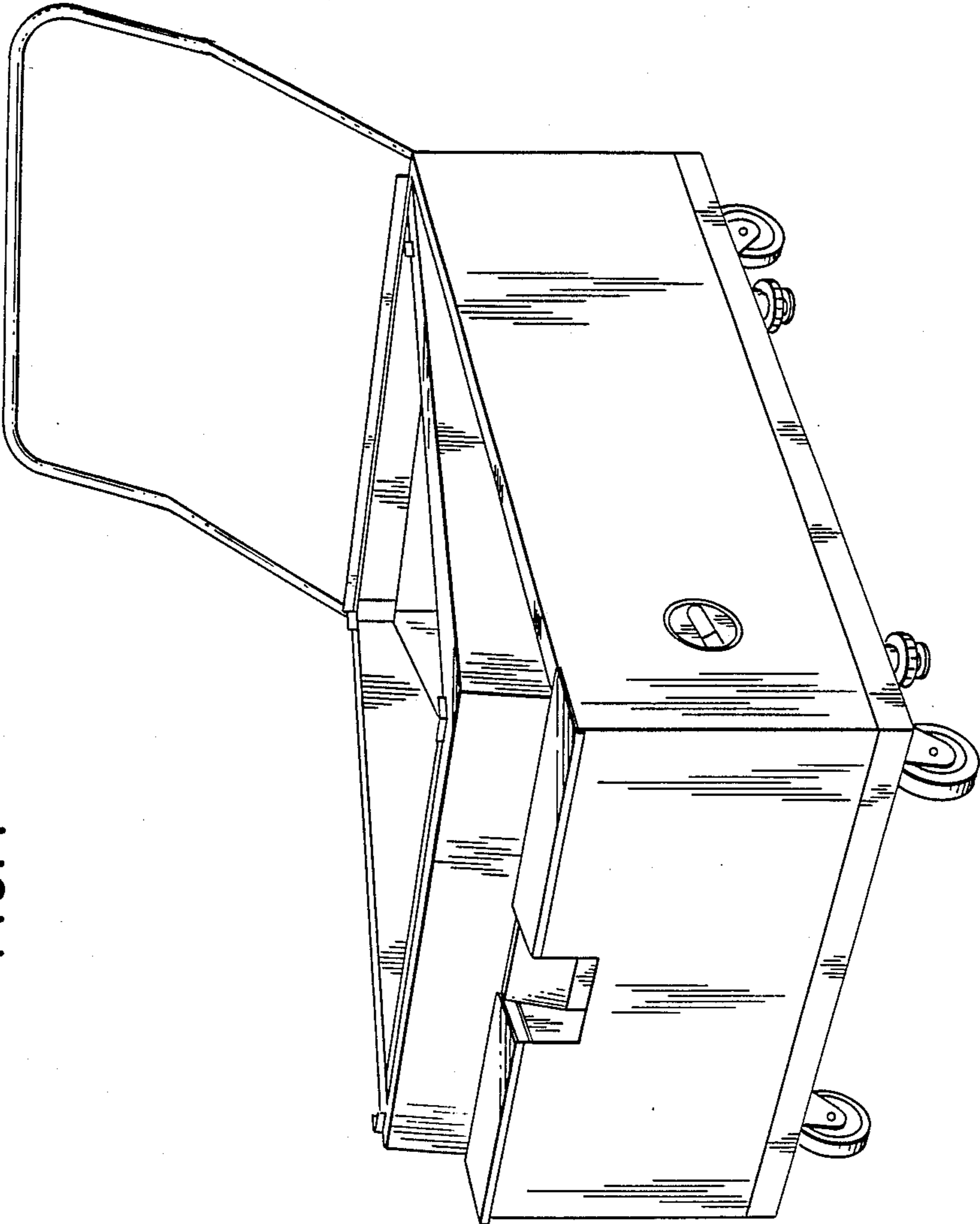


FIG. 2

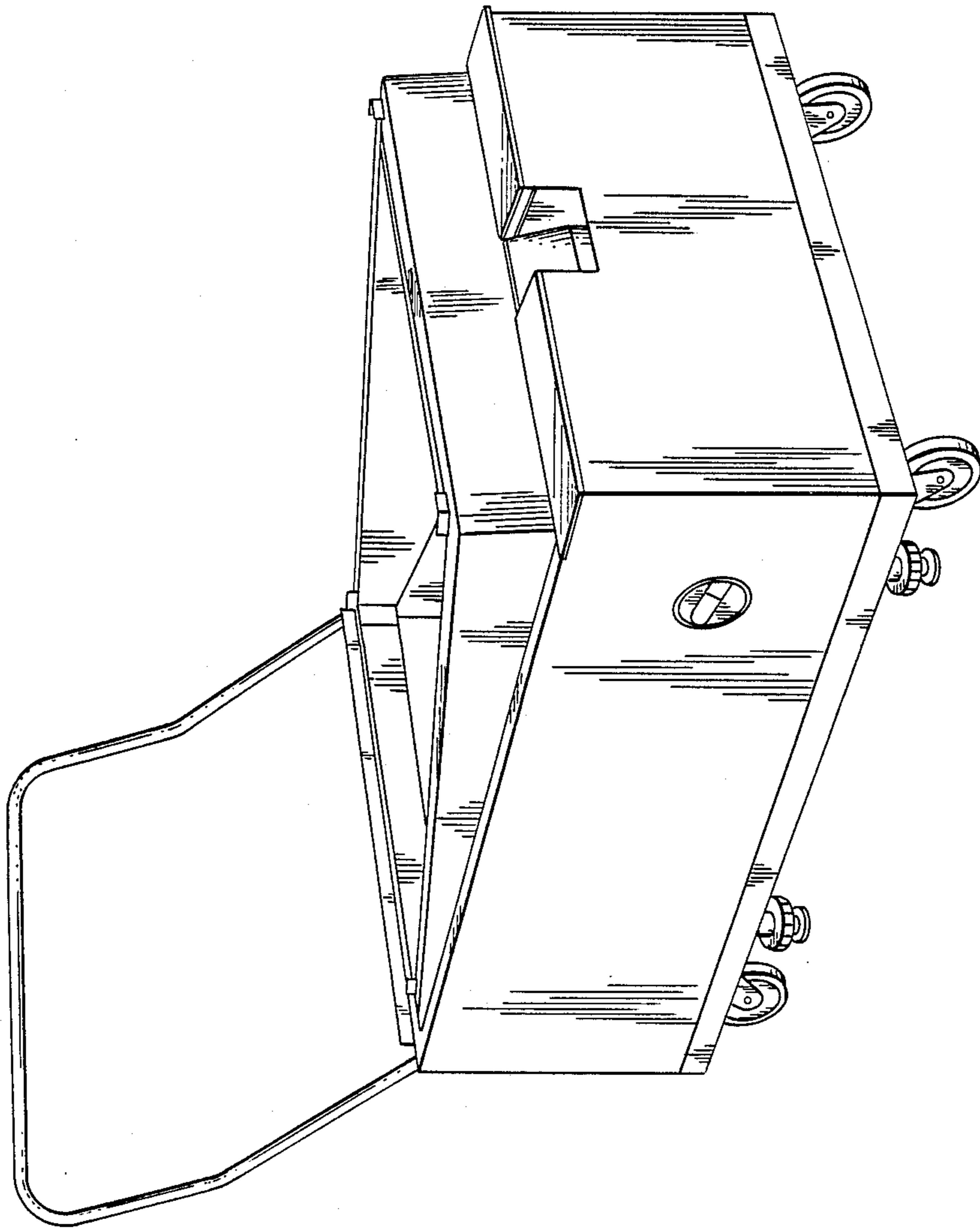


FIG. 3

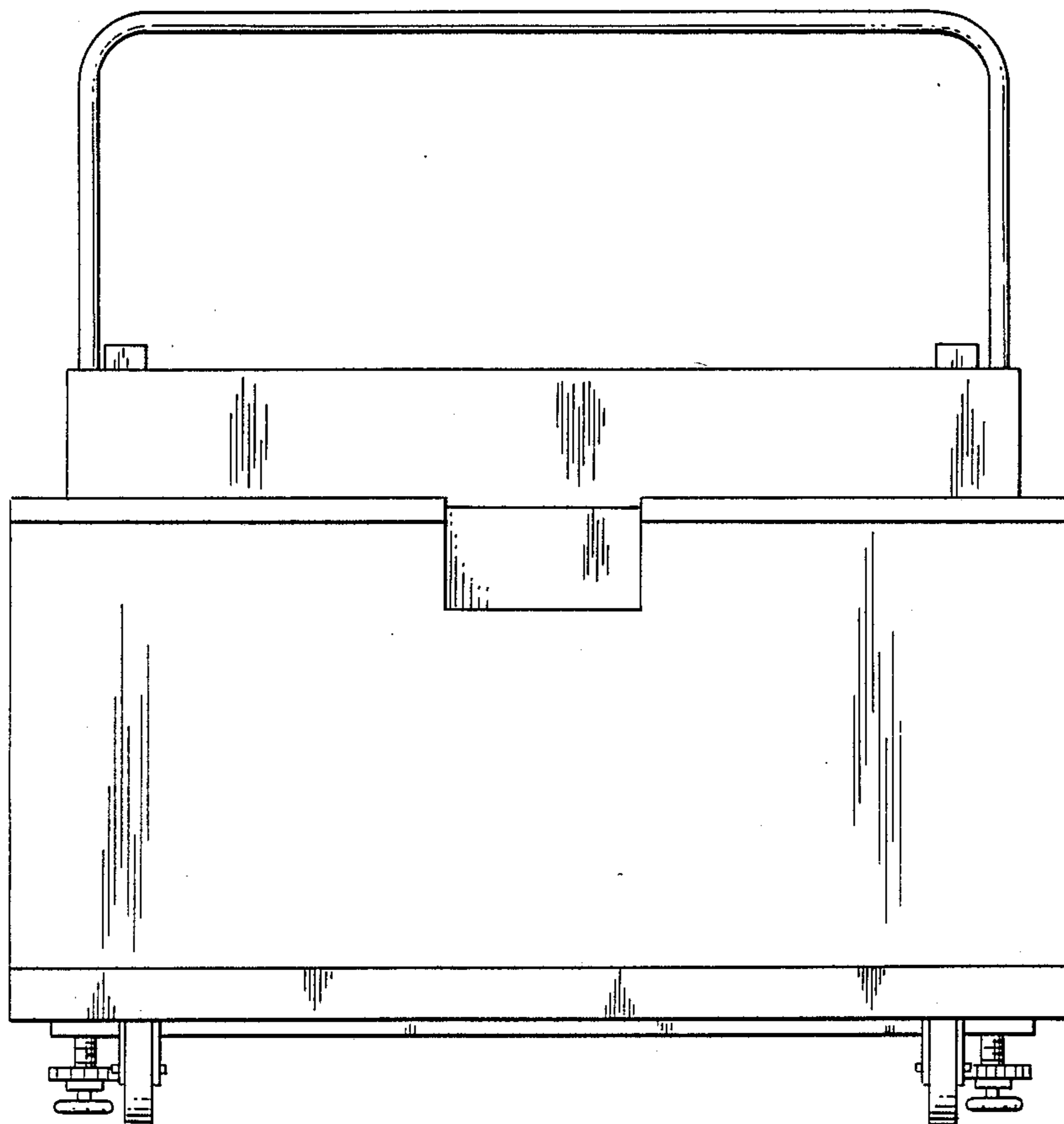


FIG. 4

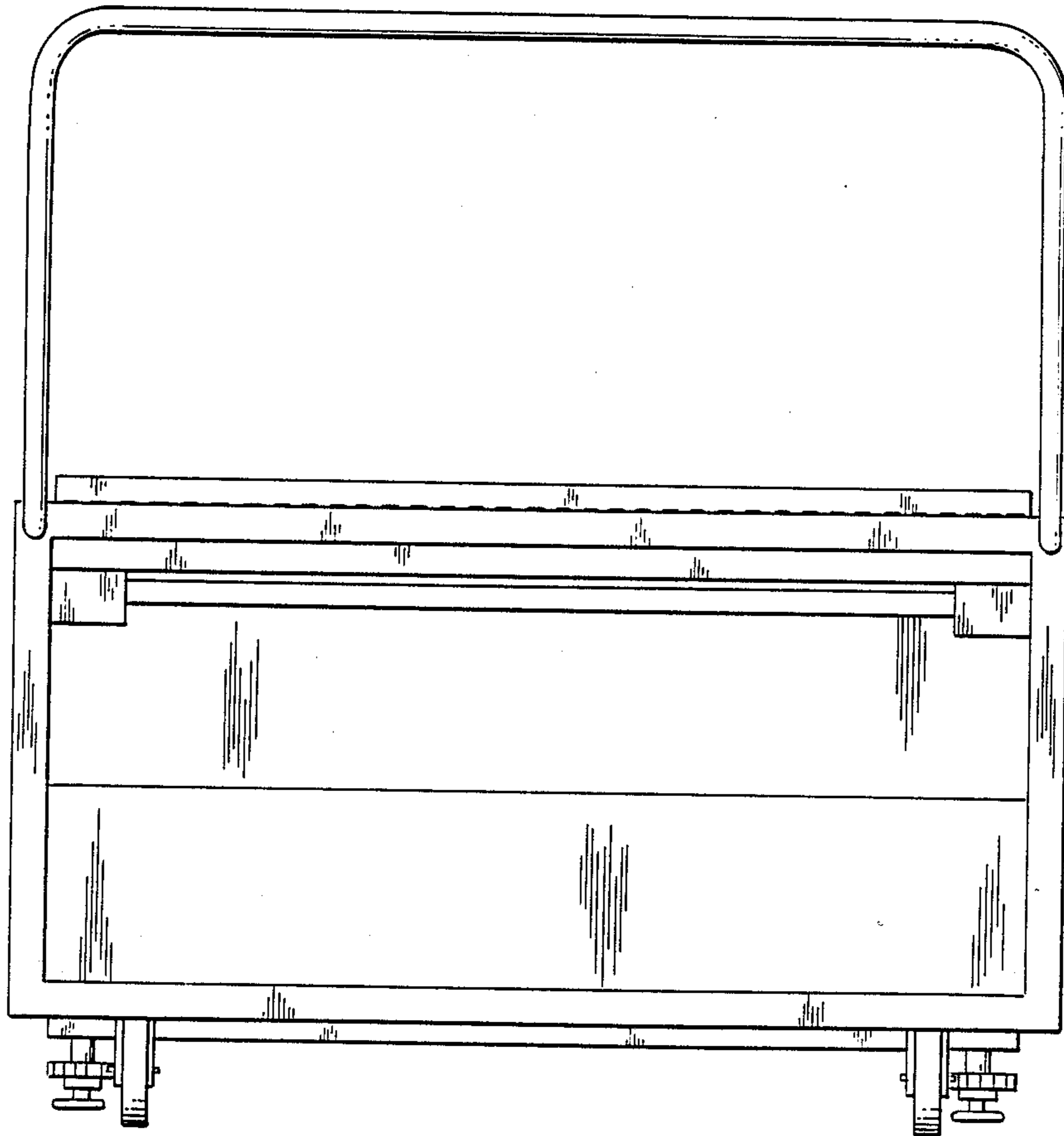


FIG. 5

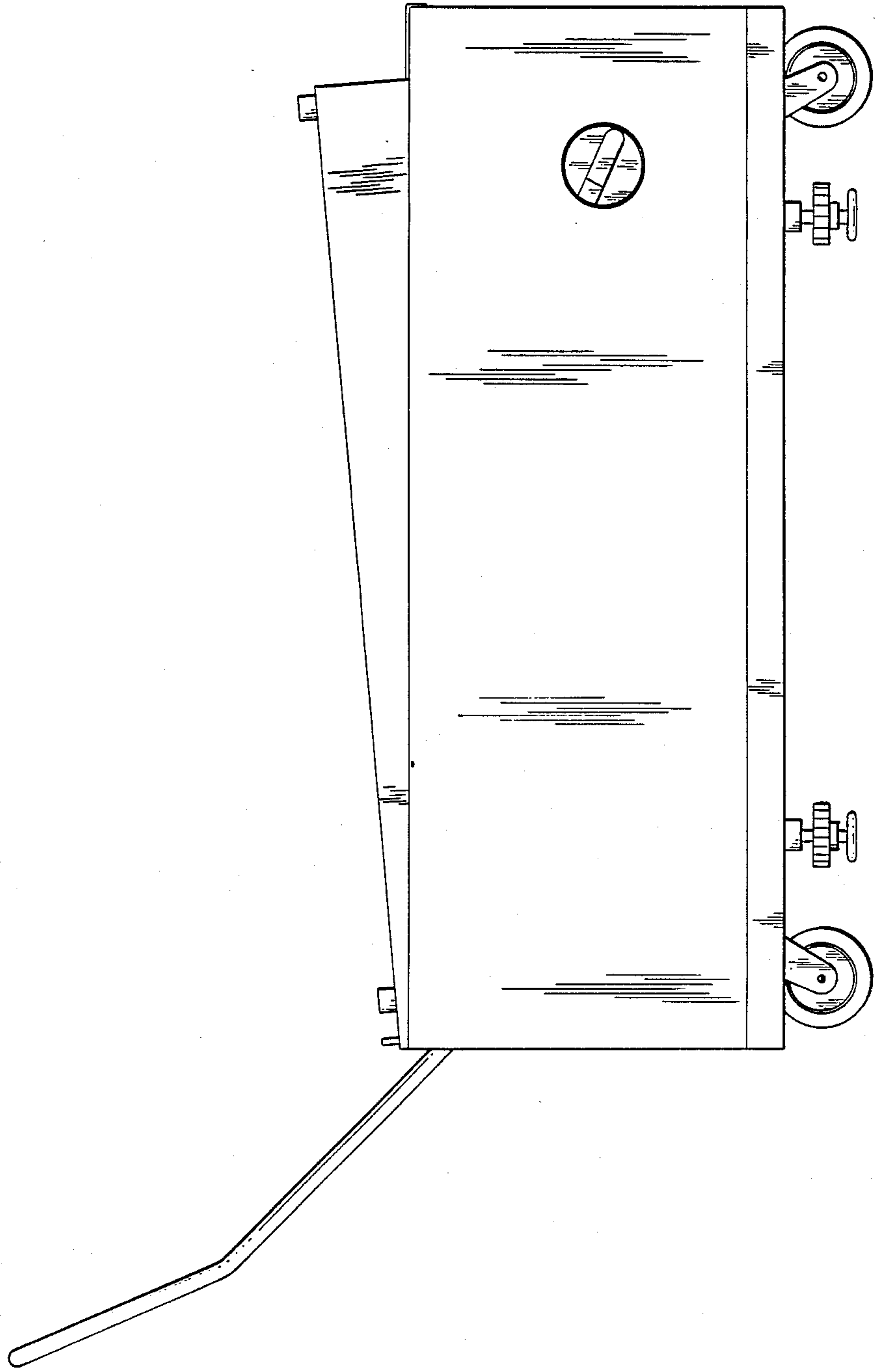
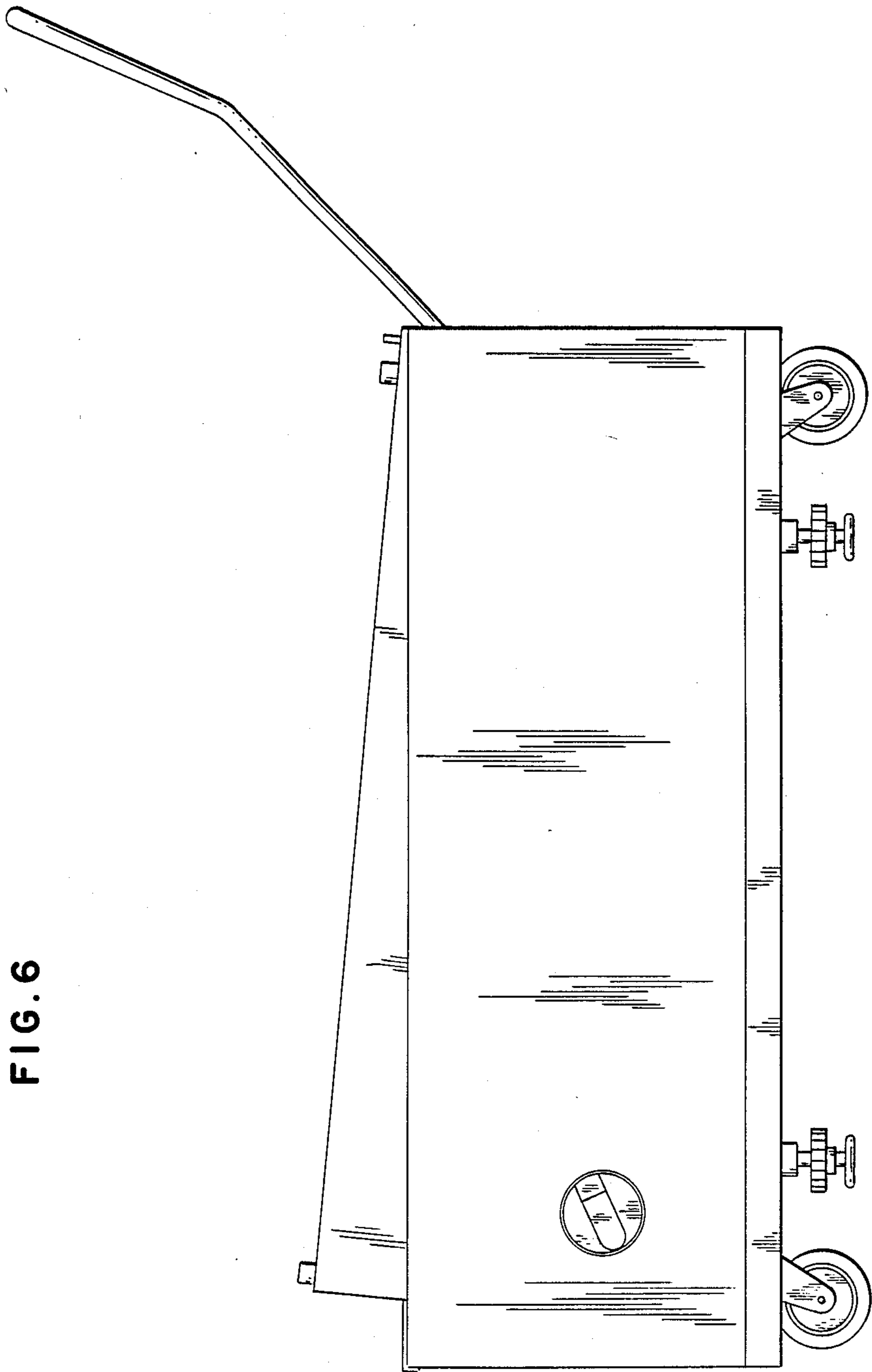


FIG. 6



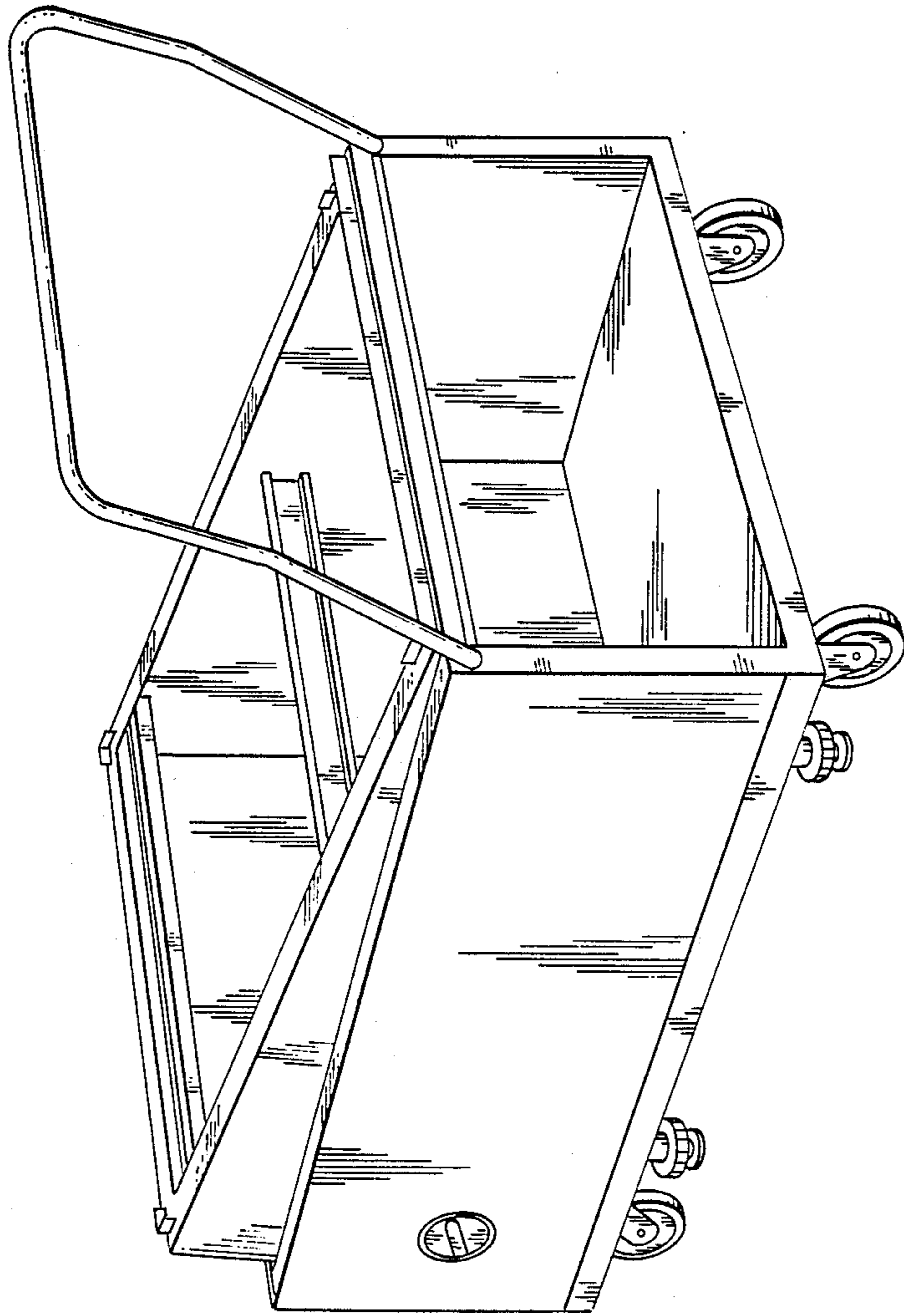


FIG. 7

FIG. 8

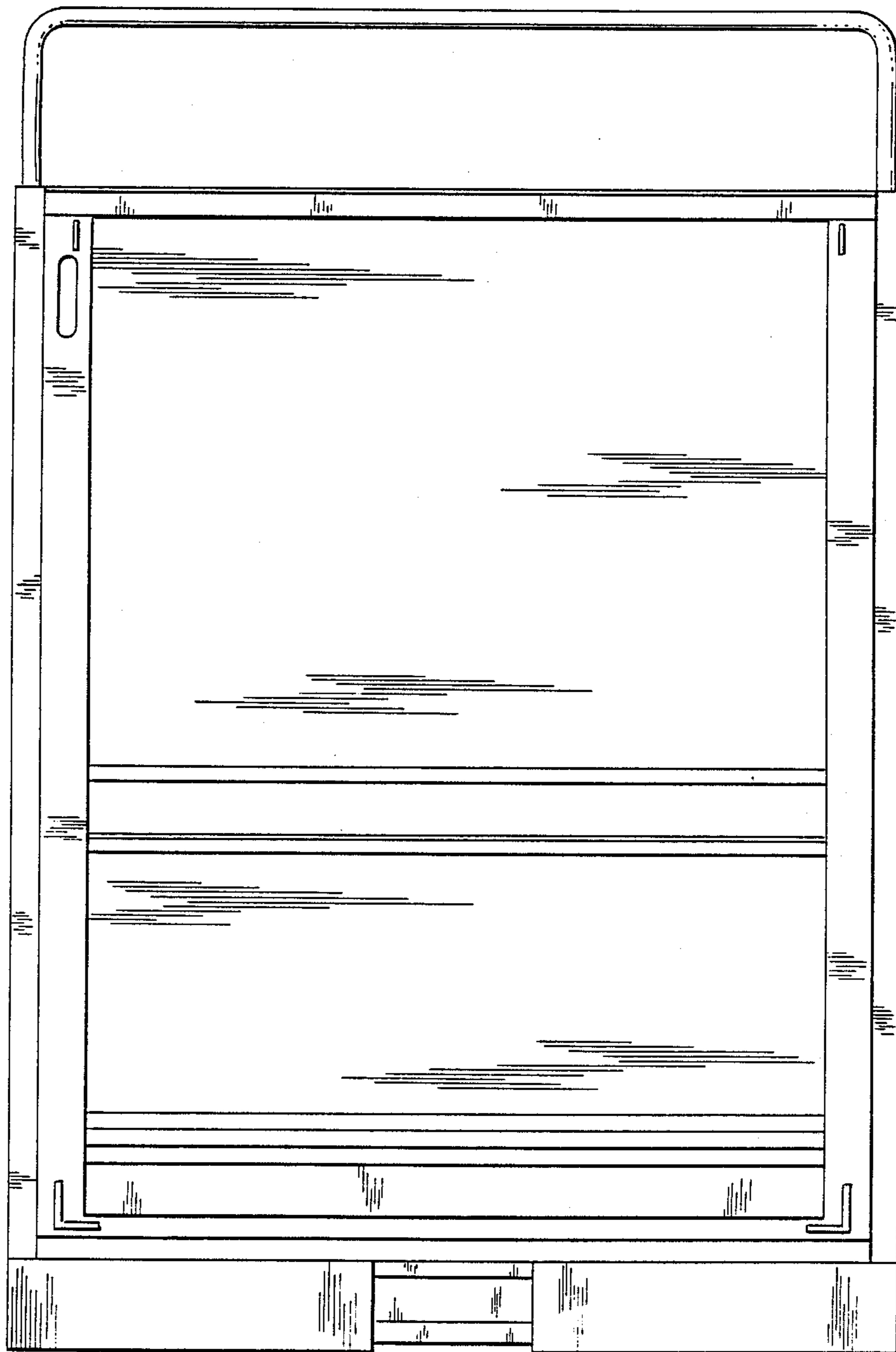


FIG. 9

