

[54] **SIDE-LOADING DISH AND TRAY CART**

[75] **Inventors:** Ronald C. Banko, North Wales;
Robert H. Nattress, Shavertown,
both of Pa.

[73] **Assignee:** InterMetro Industries Corporation,
Wilkes-Barre, Pa.

[**] **Term:** 14 Years

[21] **Appl. No.:** 98,661

[22] **Filed:** Sep. 18, 1987

[52] **U.S. Cl.** D34/14; D34/17;
D34/21

[58] **Field of Search** D34/14, 12, 17, 21,
D34/23; 280/79.3, 79.2, 79.1 A, 79.1 R;
D6/467; 211/49.1, 41

[56] **References Cited**

U.S. PATENT DOCUMENTS

D. 295,097	4/1988	Cohn et al.	D34/21
3,445,150	5/1969	Zartarian	280/79.2
3,544,183	12/1970	Dixon	280/79.2

OTHER PUBLICATIONS

Food Service Equipment & Supplies, Sep. 1987, p. 110,
Side-Loading Dish Cart (lower right).

Primary Examiner—Wallace R. Burke
Assistant Examiner—Kay H. Chin
Attorney, Agent, or Firm—Fitzpatrick, Cella, Harper &
Scinto

[57] **CLAIM**

The ornamental design for a side-loading dish and tray cart, as shown and described.

DESCRIPTION

FIG. 1 is a front elevational view of a side-loading dish and tray cart showing our new design, the rear elevational view being identical thereto;
FIG. 2 is a top plan view thereof;
FIG. 3 is a right side elevational view thereof, the left side elevational view being identical thereto;
FIG. 4 is a bottom plan view thereof;
FIG. 5 is a front elevational view of a side-loading dish and tray cart showing a second embodiment;
FIG. 6 is a top plan view of FIG. 5;
FIG. 7 is a left-side elevational view of FIG. 5, the right-side elevational view being a mirror thereof;
FIG. 8 is a rear elevational view of FIG. 5;
FIG. 9 is a bottom plan view of FIG. 5.
FIG. 10 is a perspective view of the first embodiment shown in FIGS. 1 through 4;
FIG. 11 is a perspective view of the second embodiment shown in FIGS. 5 through 9.

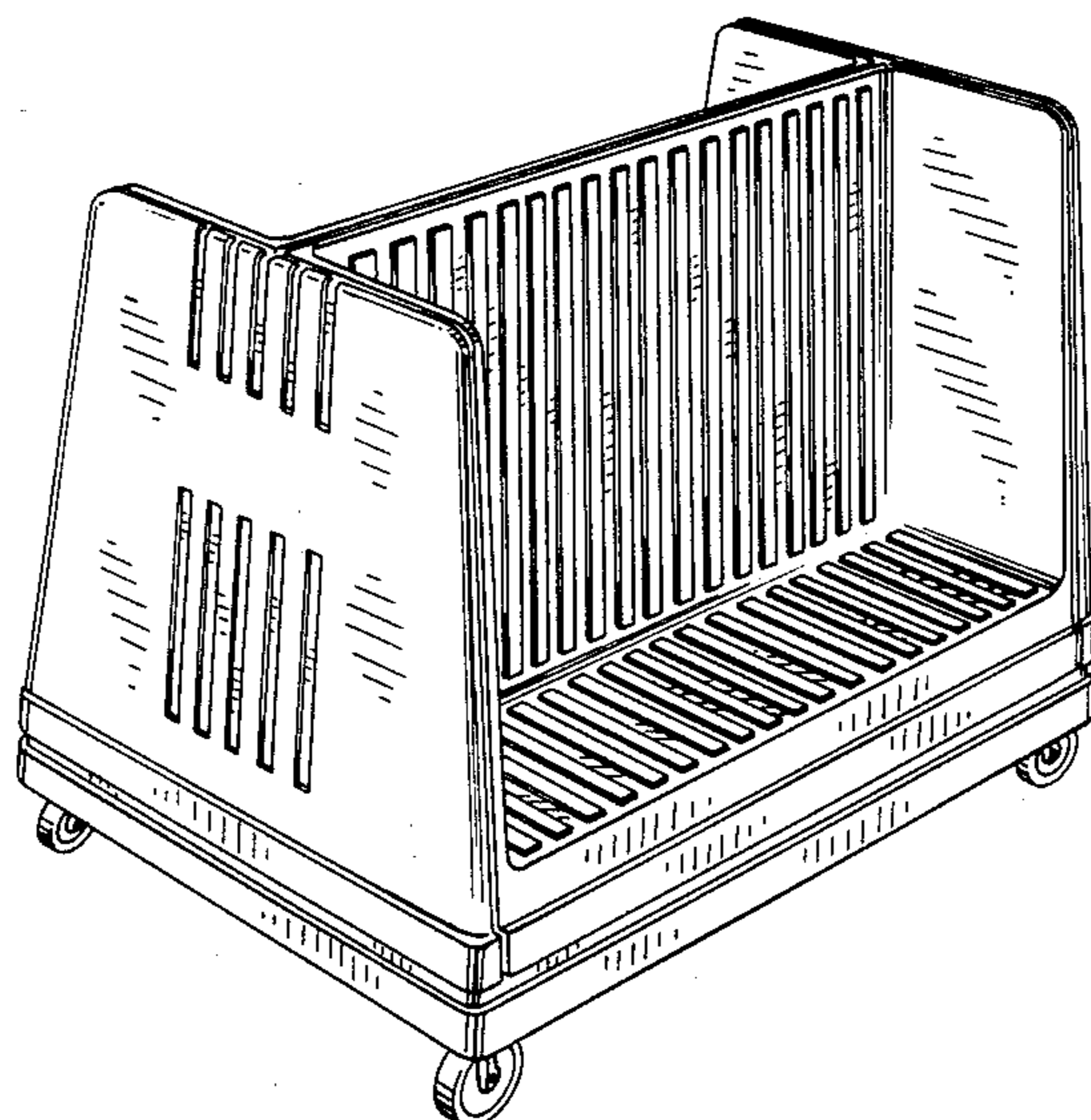


Fig. 1.

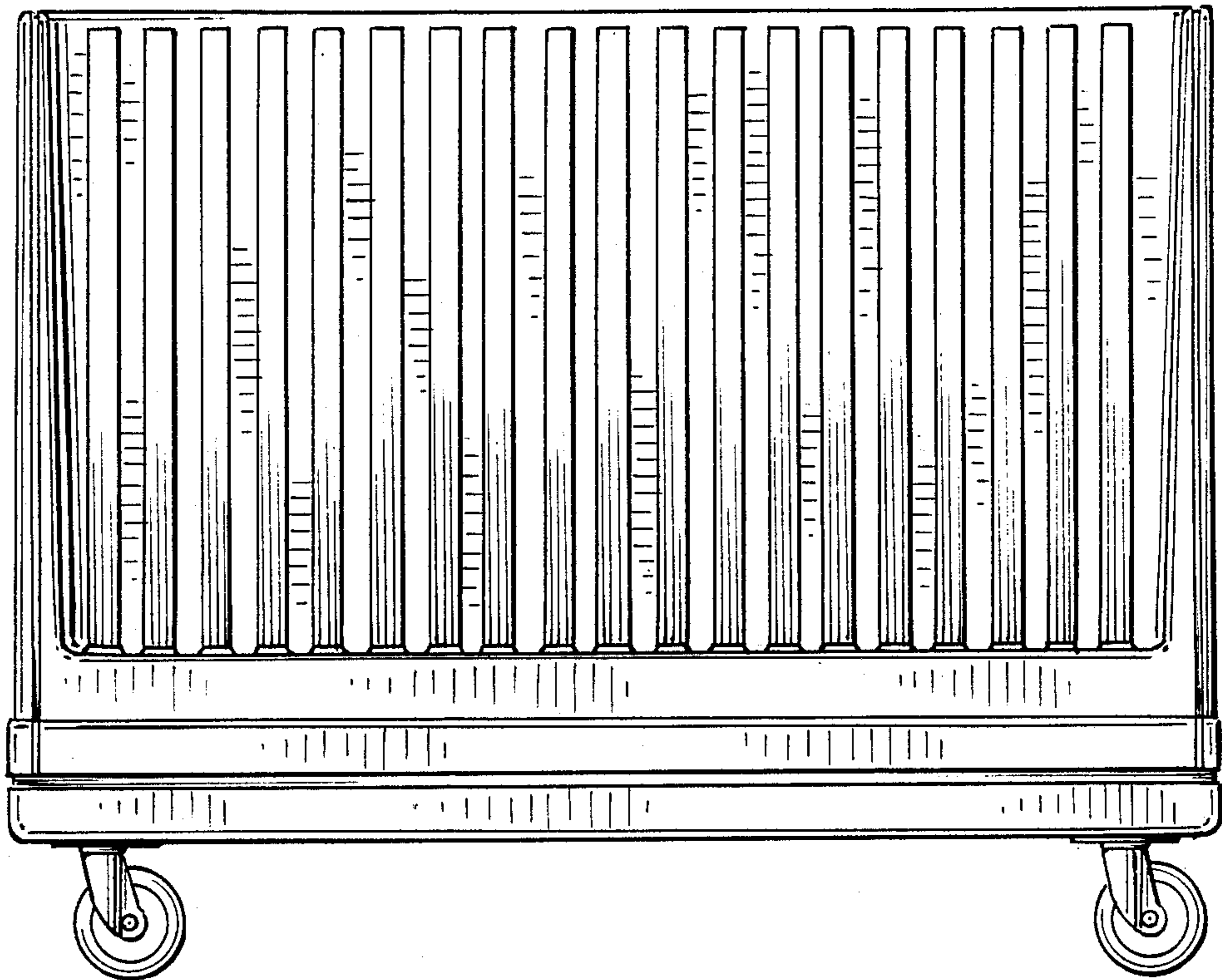


Fig. 2.

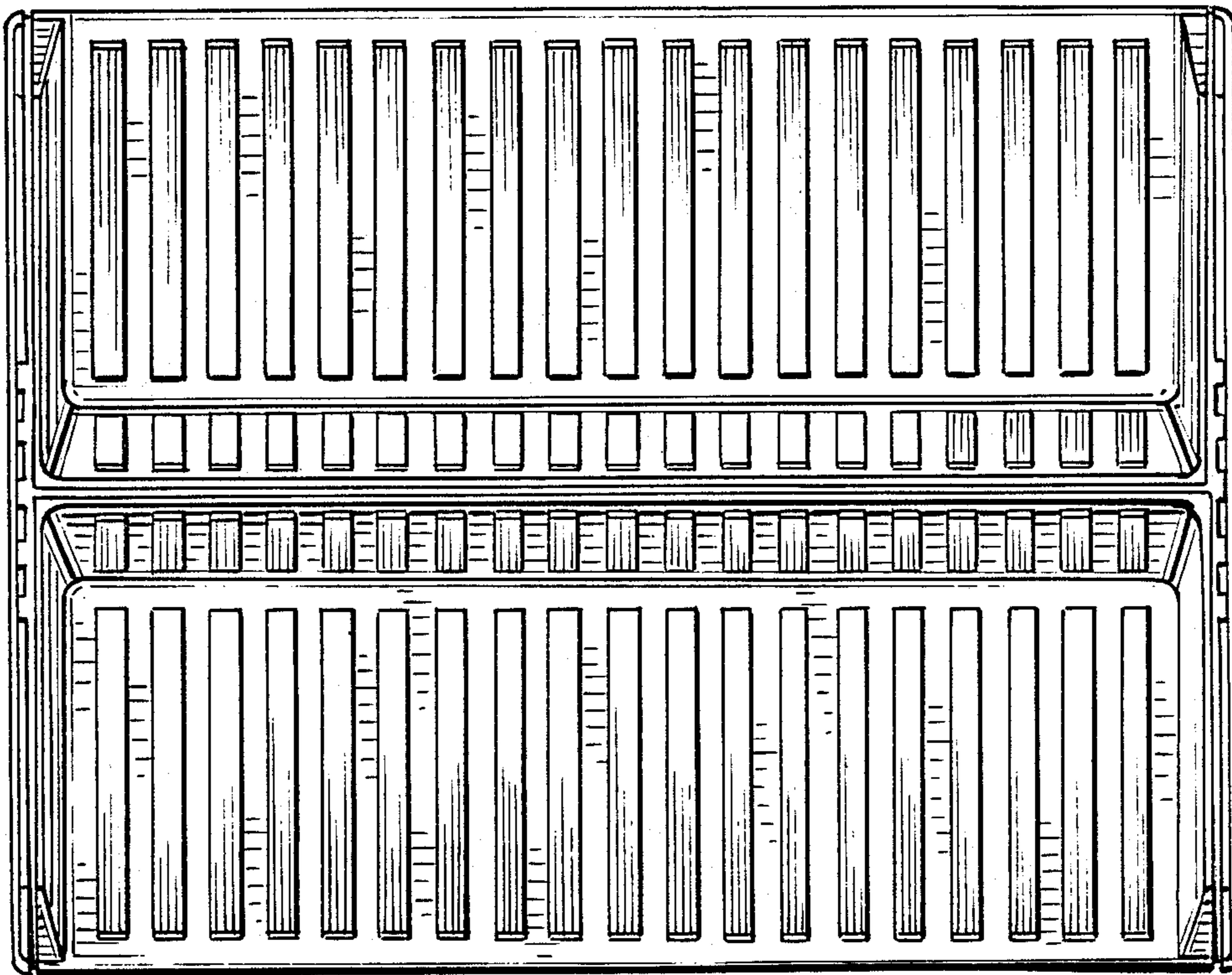


Fig. 3.

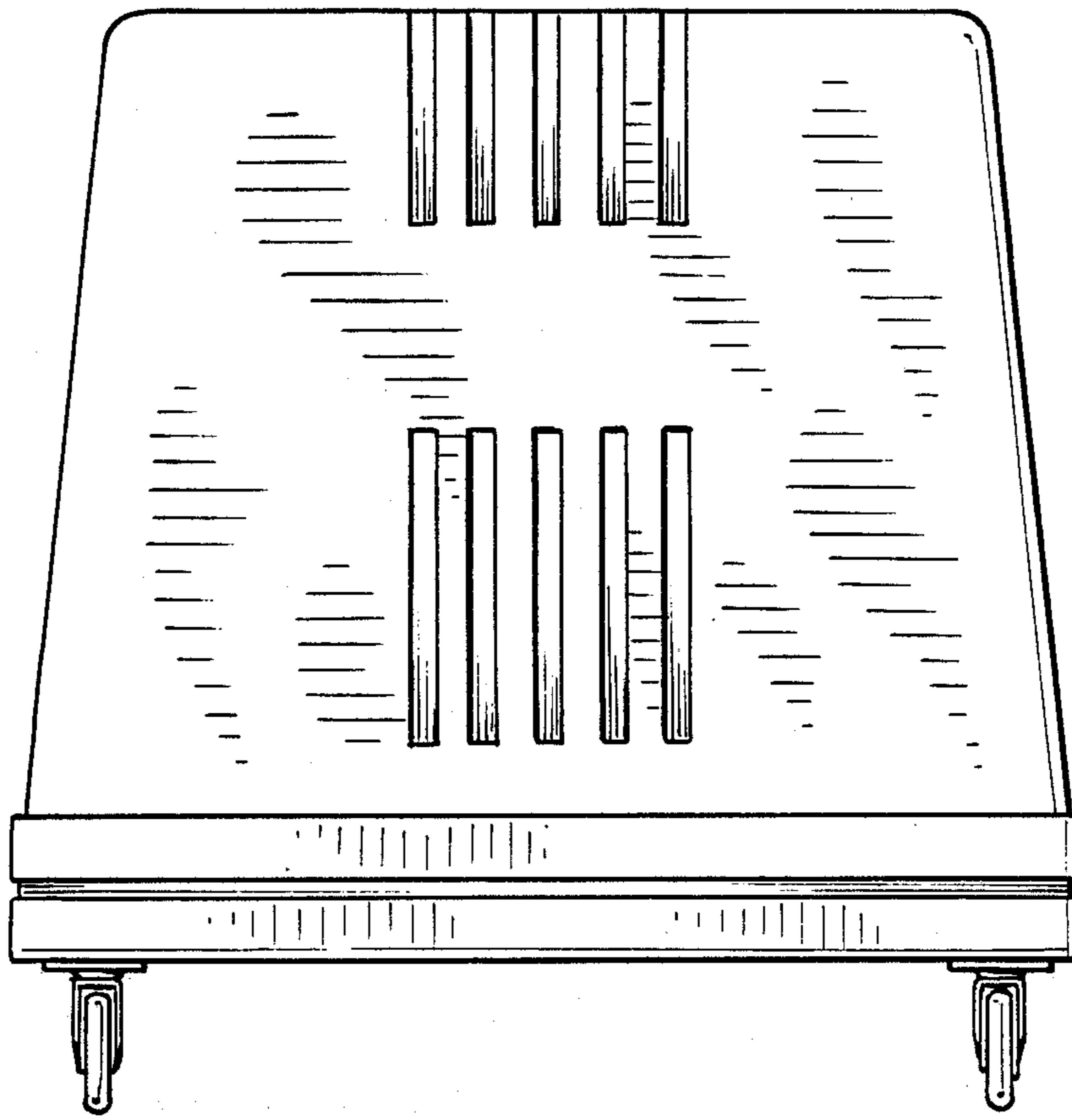
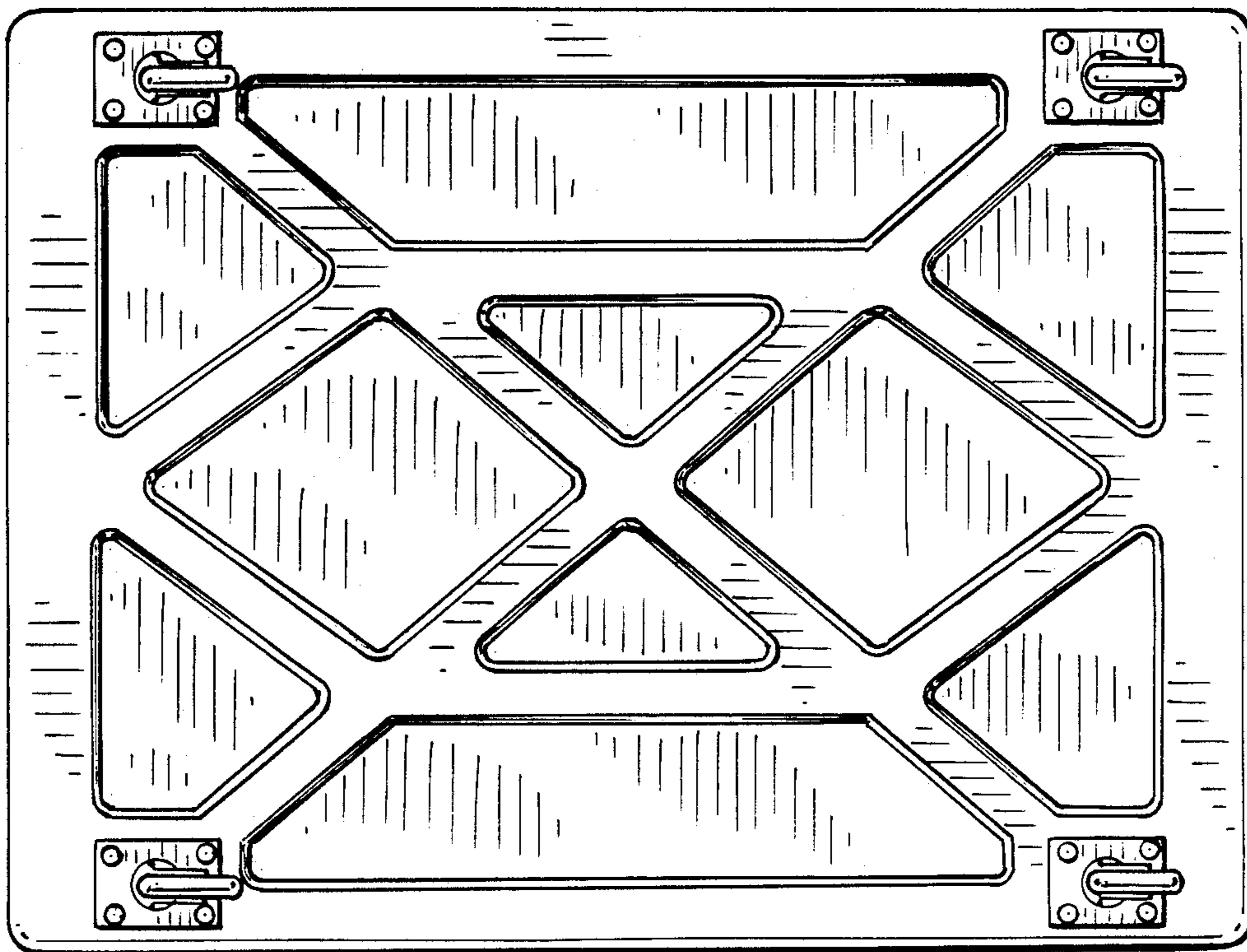


Fig. 4.



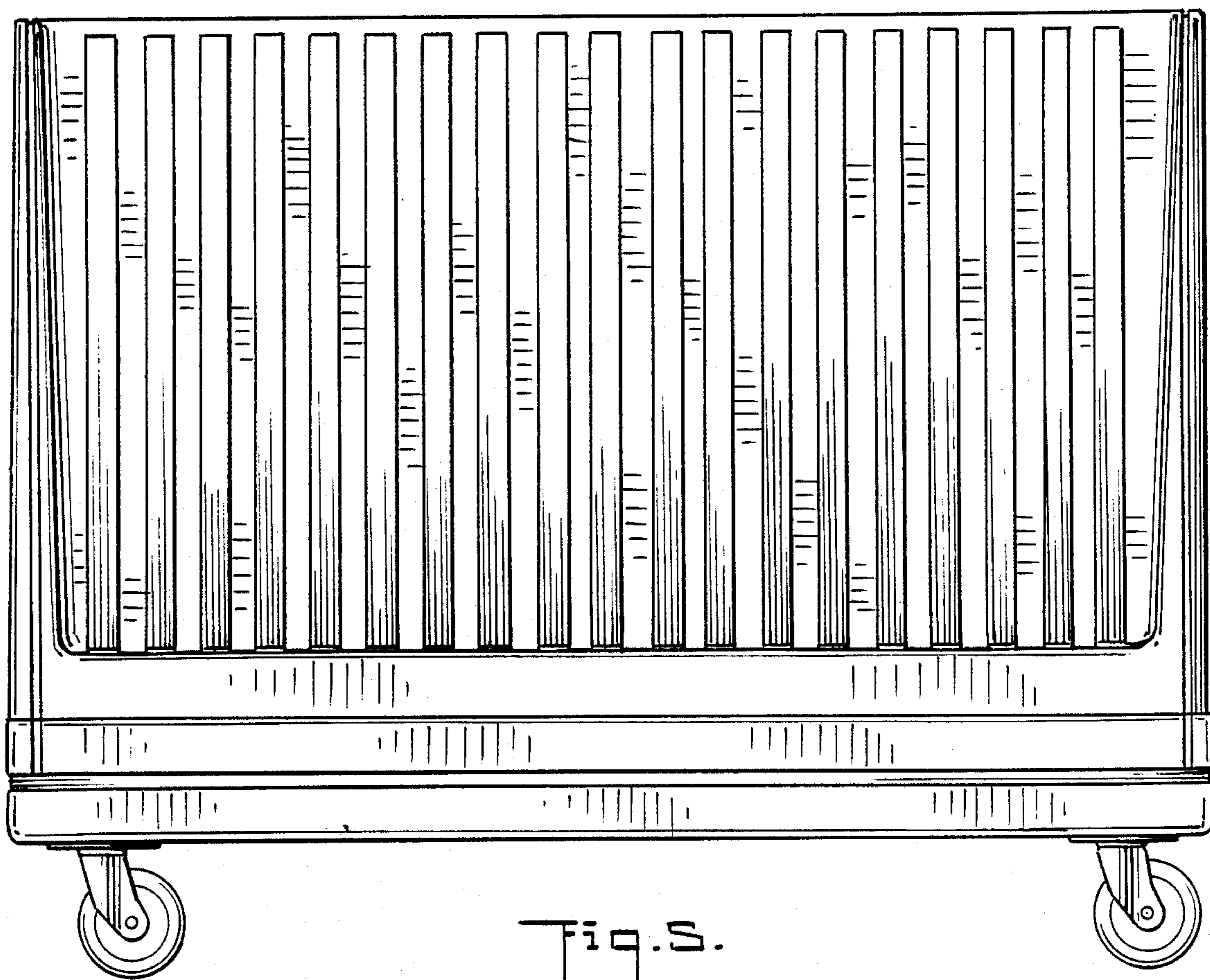


Fig. 5.

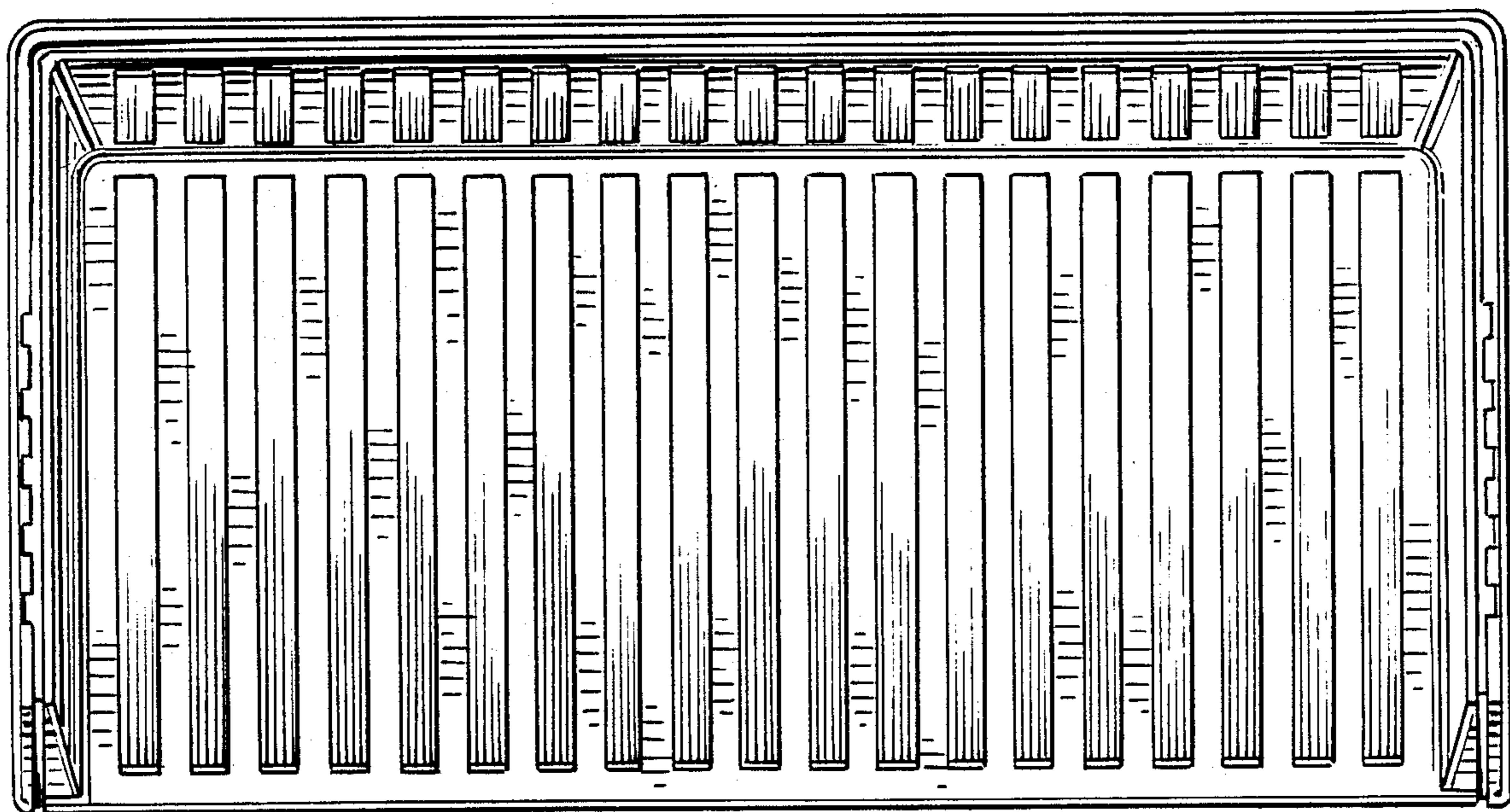


Fig. 6.

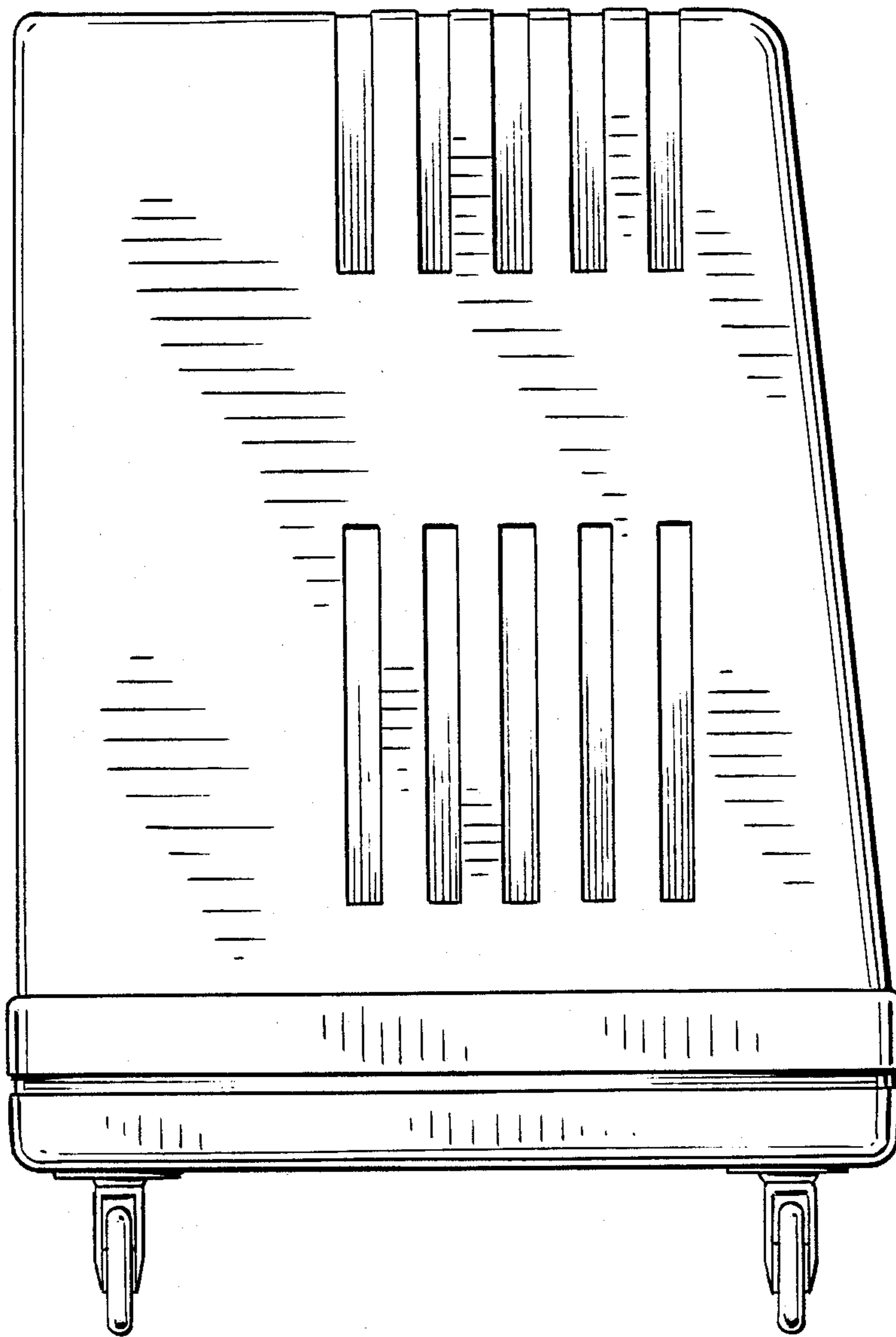


Fig. 2

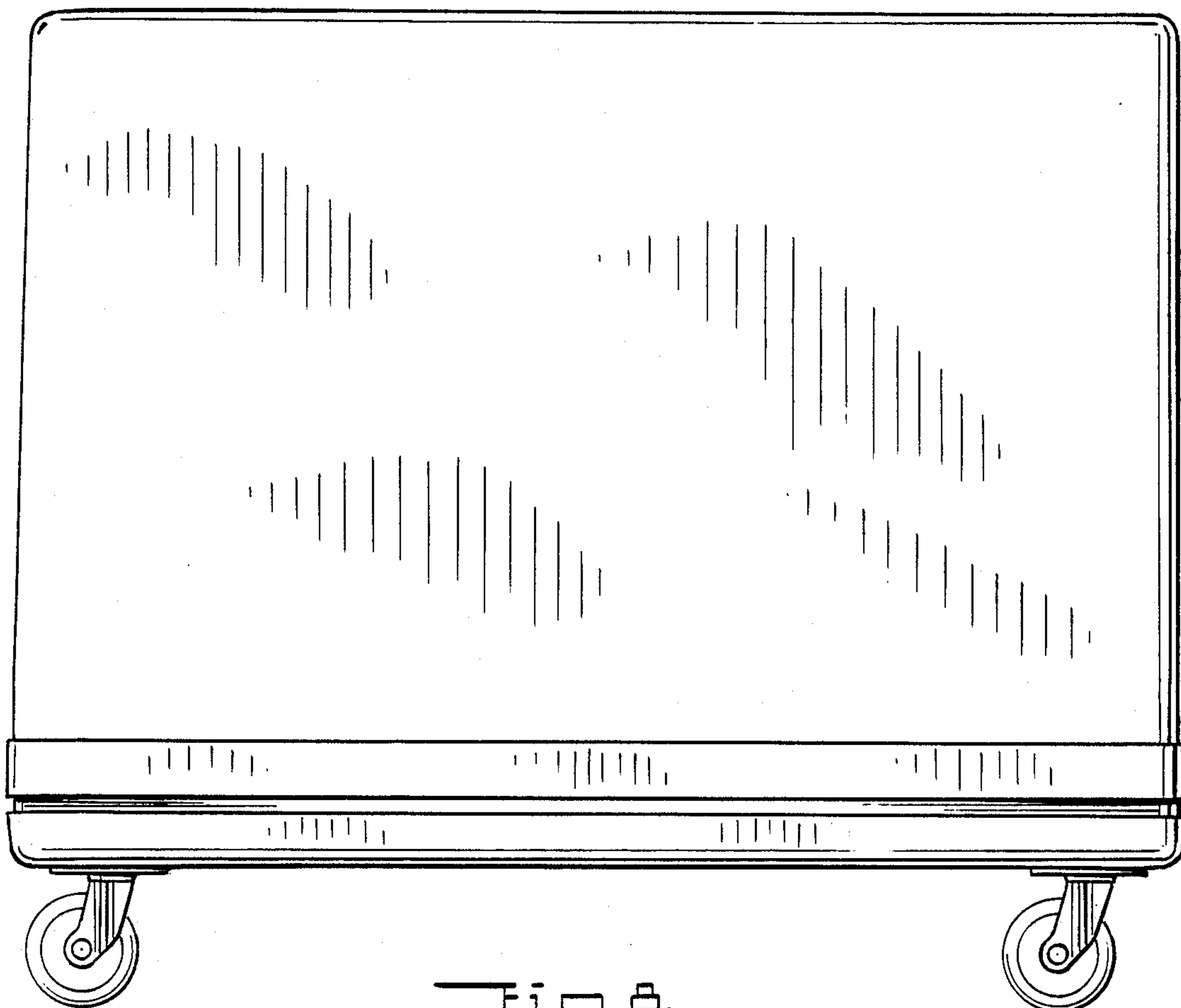


Fig. 8.

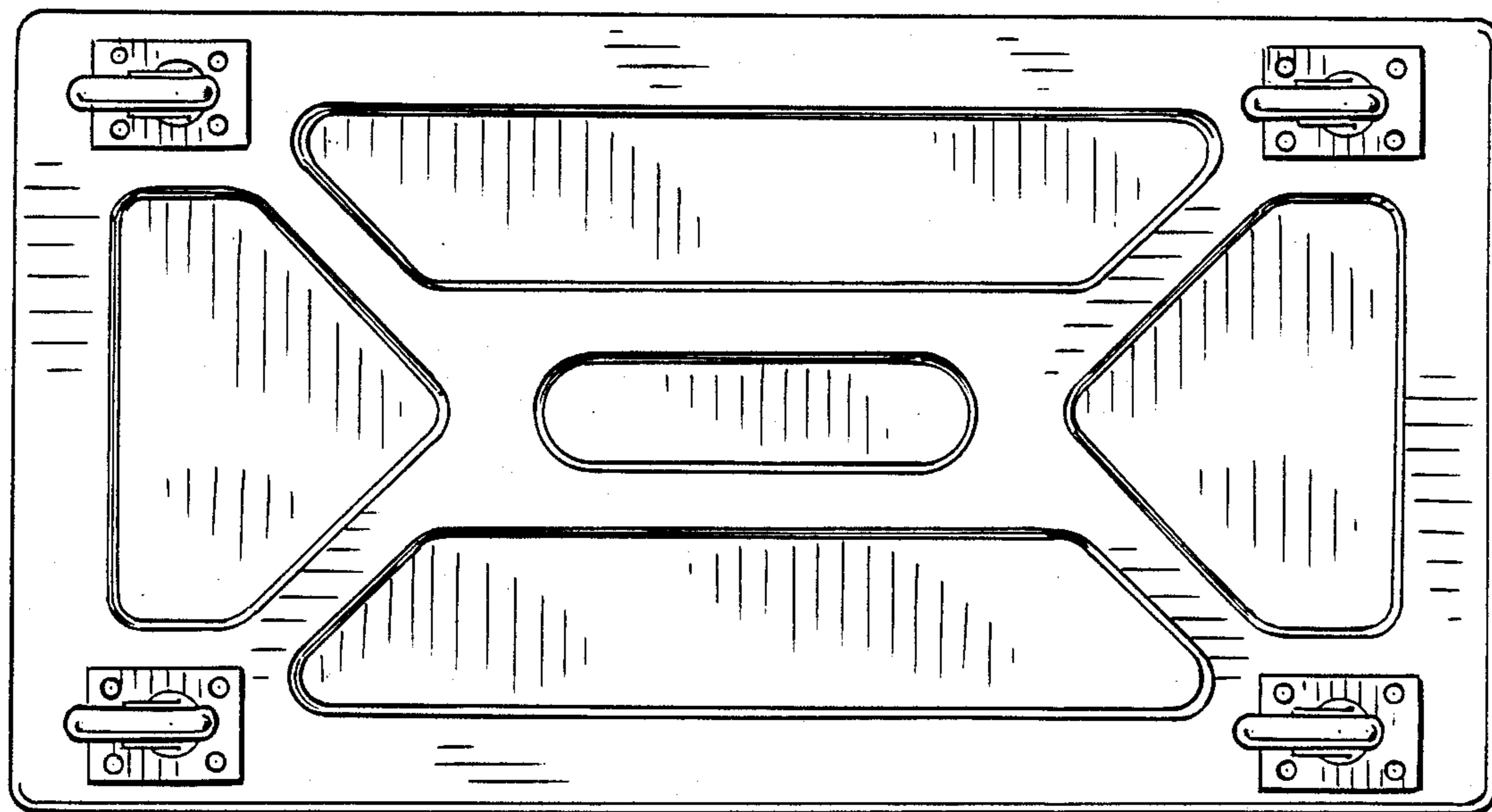
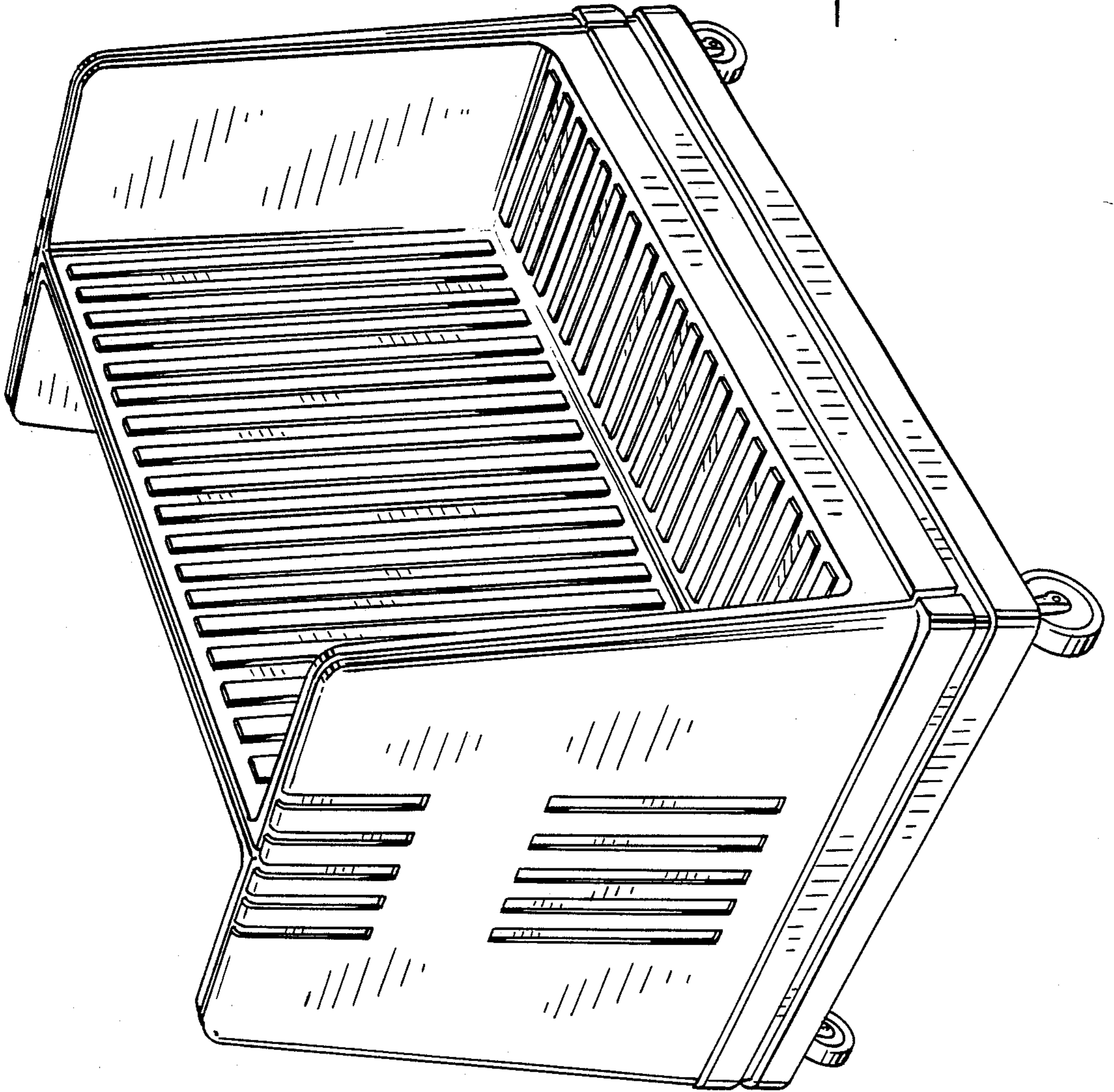


Fig. 9.

Fig. 10.



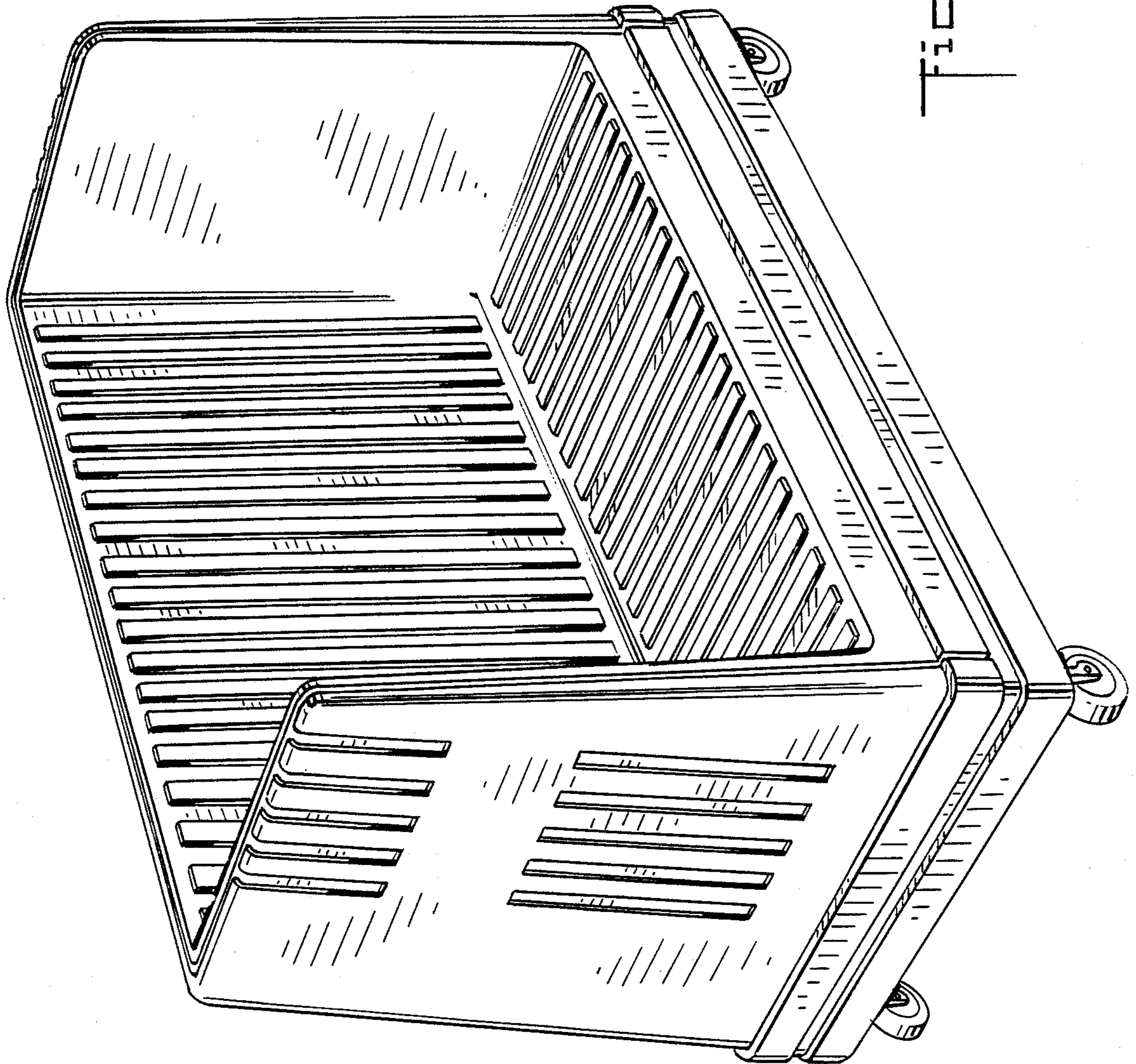


Fig. 11.

UNITED STATES PATENT AND TRADEMARK OFFICE
CERTIFICATE OF CORRECTION

PATENT NO. : Des. 304,634
DATED : November 14, 1989
INVENTOR(S) : RONALD C. BANKO, ET AL.

It is certified that error appears in the above-identified patent and that said Letters Patent is hereby corrected as shown below:

TITLE PAGE: DESCRIPTION

Line 12, "mirror thereof;" should read
--mirror image thereof;--.
Line 14, "FIG. 5." should read --FIG. 5;--.
Line 16, "FIGS. 1 through 4;" should read
--FIGS. 1 through 4; and--.

Signed and Sealed this
Sixteenth Day of July, 1991

Attest:

Attesting Officer

HARRY F. MANBECK, JR.

Commissioner of Patents and Trademarks