

[54] SPONGE MOP FOR CLEANING TUBS, TILE OR THE LIKE

[75] Inventors: David A. Jones, Dayton; William J. O'Neil, Jr., Cincinnati, both of Ohio

[73] Assignee: The Drackett Company, Cincinnati, Ohio

[**] Term: 14 Years

[21] Appl. No.: 80,375

[22] Filed: Jul. 31, 1987

[52] U.S. Cl. D32/40; D32/50

[58] Field of Search D4/137; D28/63; D32/35, D32/40-45, 50-52; 15/176.1, 208, 209 R, 209 C, 209 D, 210 R, 220 R, 244.1, 244.2, 244.3, 244.4

[56] References Cited

U.S. PATENT DOCUMENTS

- D. 262,936 2/1982 Nishiyama et al. D32/40
- D. 269,212 5/1983 Dowe D32/51

- D. 288,138 2/1987 Smith D32/42
- 3,345,669 10/1967 Starry 15/244.1

FOREIGN PATENT DOCUMENTS

- 6802881 9/1969 Netherlands 15/176.1
- 1033314 6/1966 United Kingdom 15/244.2

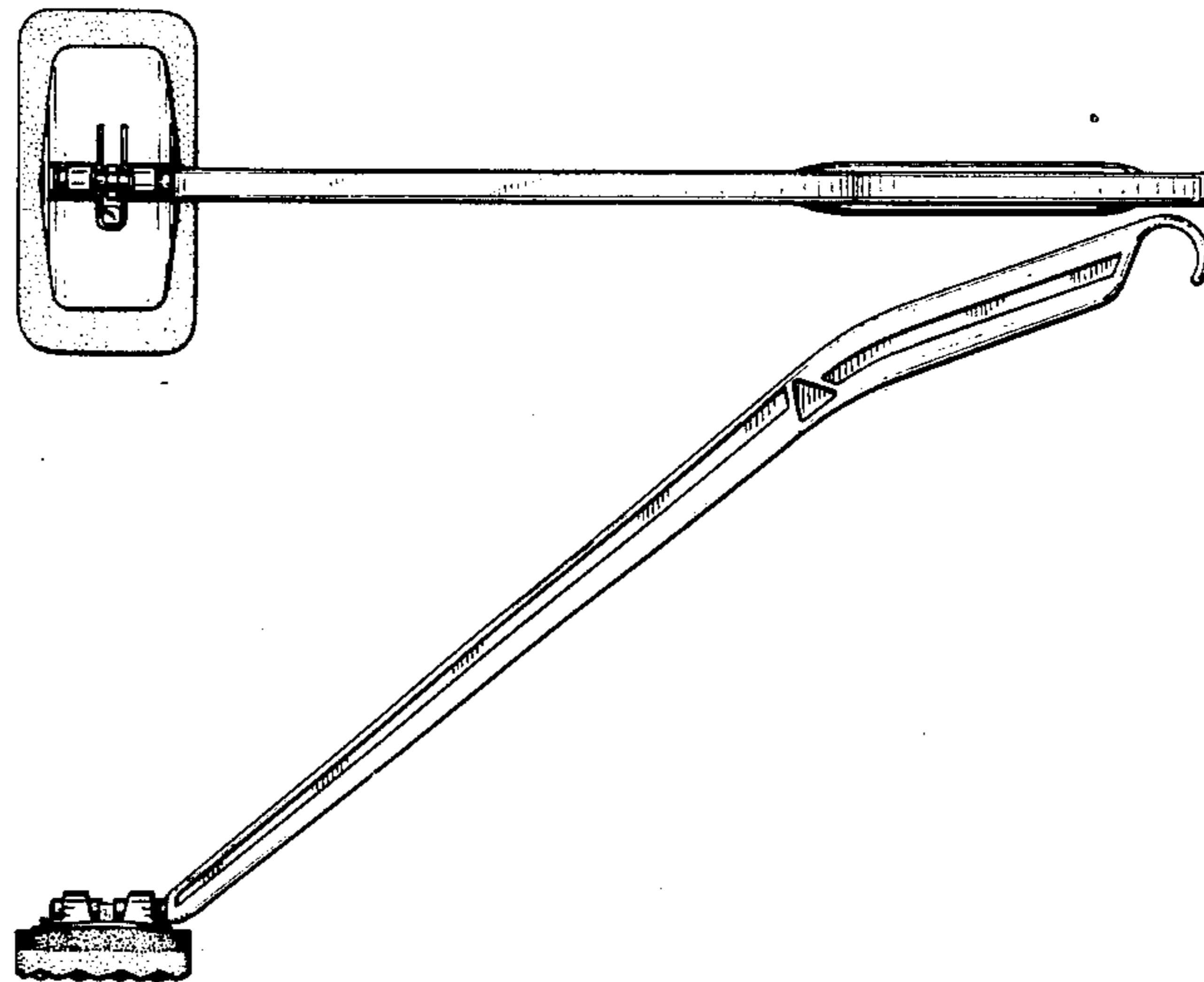
Primary Examiner—Wallace R. Burke
Assistant Examiner—Lavone D. Tabor
Attorney, Agent, or Firm—Gene Warzecha

[57] CLAIM

The ornamental design for a sponge mop for cleaning tubs, tile or the like, as shown and described.

DESCRIPTION

FIG. 1 is a top plan view of a sponge mop for cleaning tubs, tile or the like showing our new design; FIG. 2 is a right side elevational view thereof; FIG. 3 is a front elevational view thereof; FIG. 4 is a left side elevational view thereof; FIG. 5 is a rear elevational view thereof; and FIG. 6 is a bottom plan view thereof.



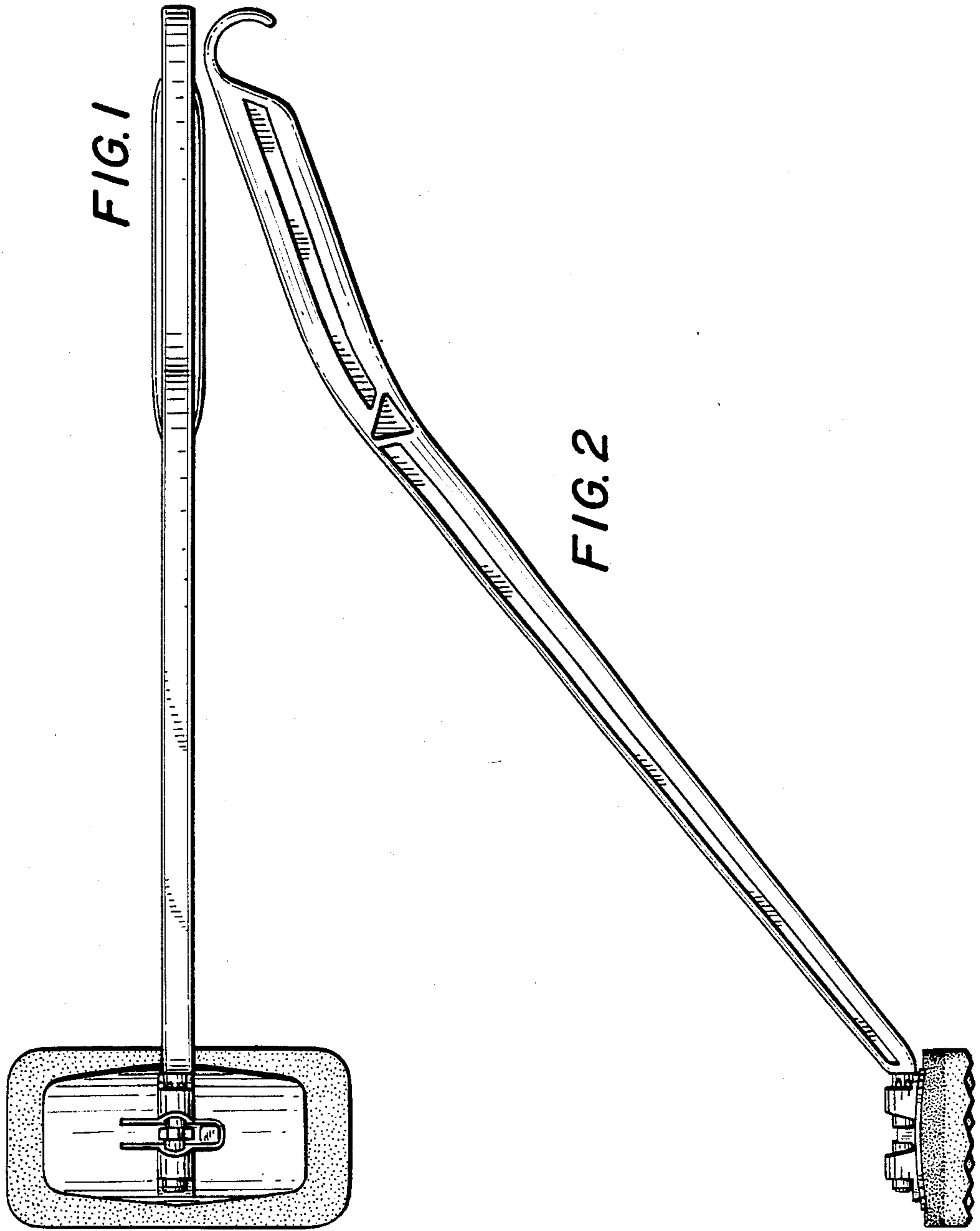


FIG. 3

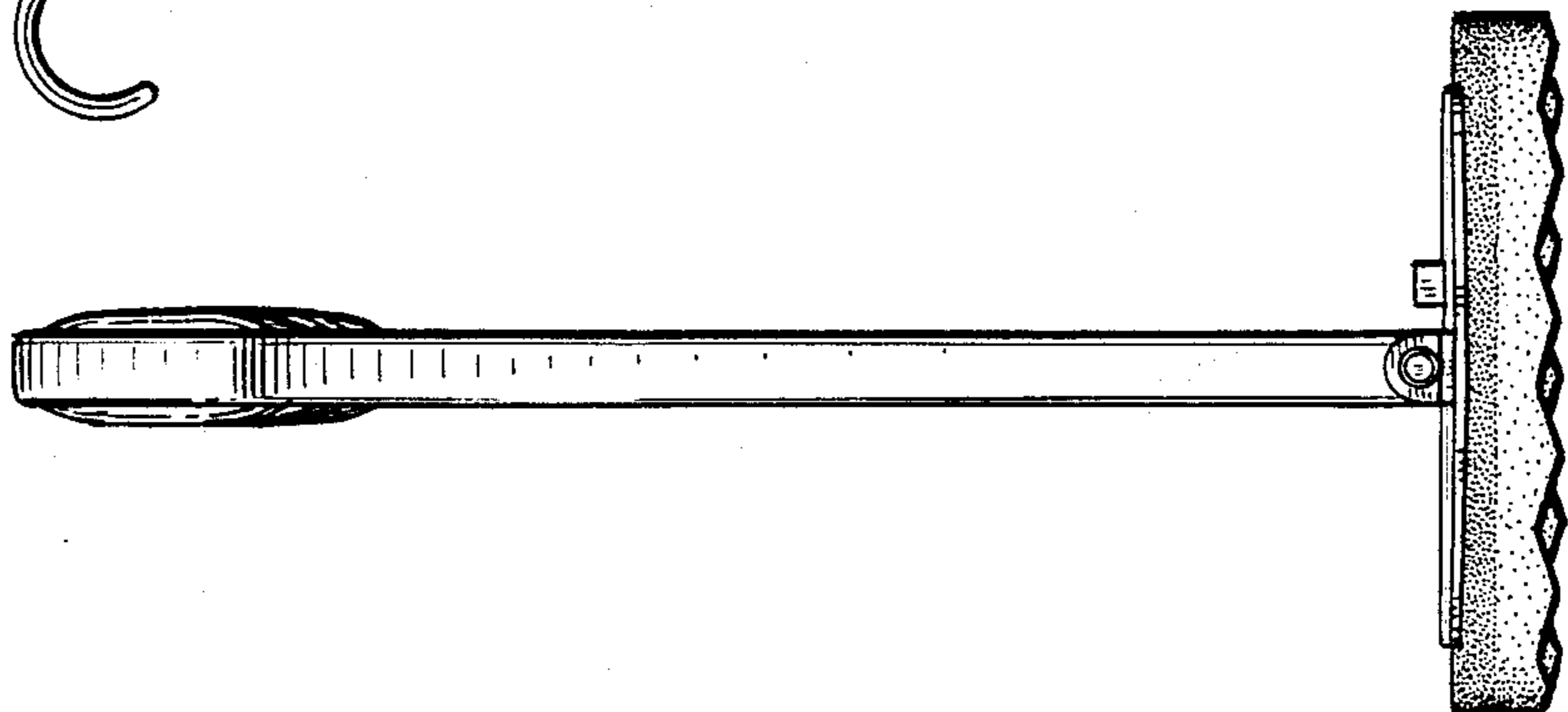


FIG. 4

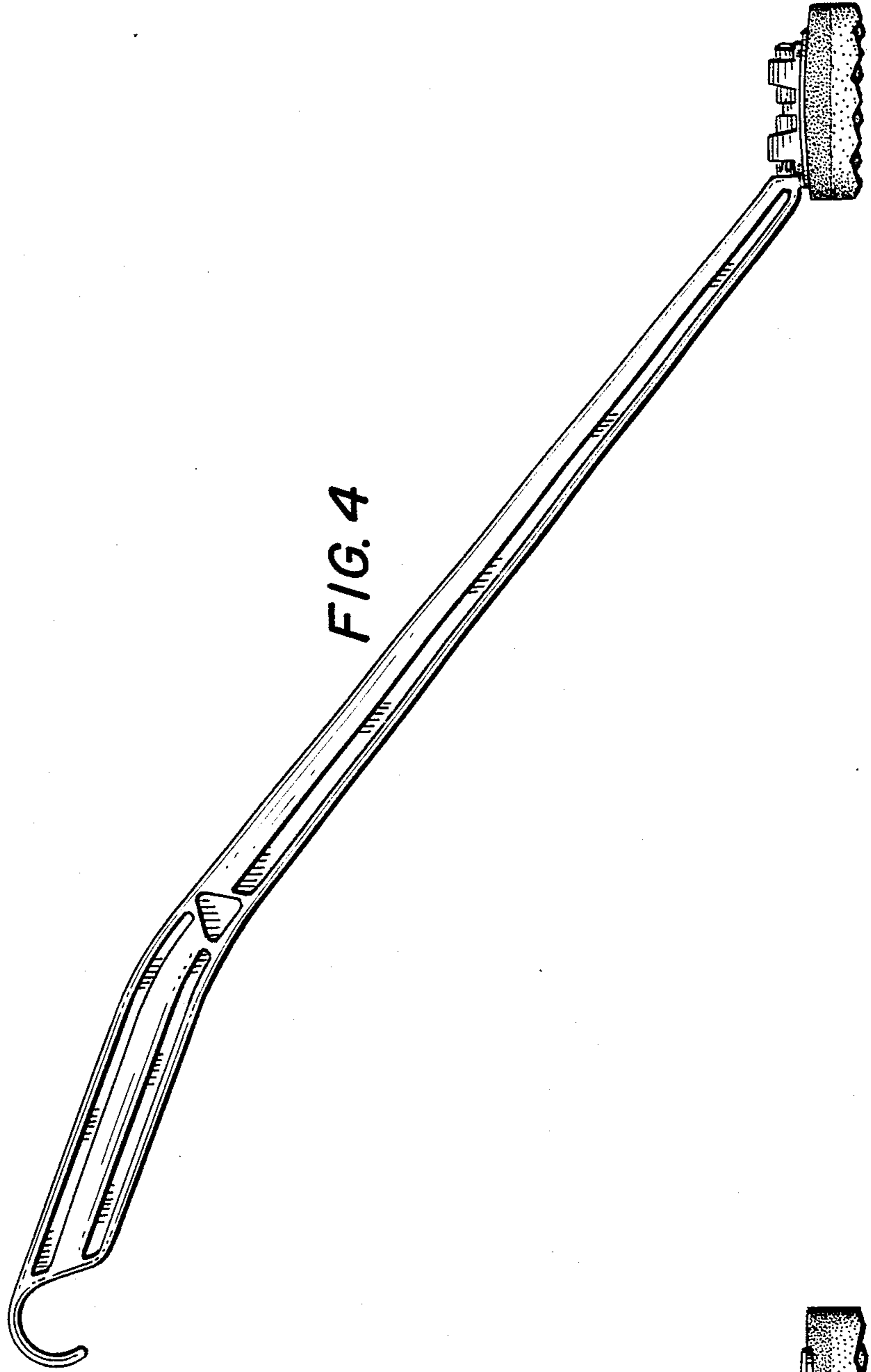


FIG. 5

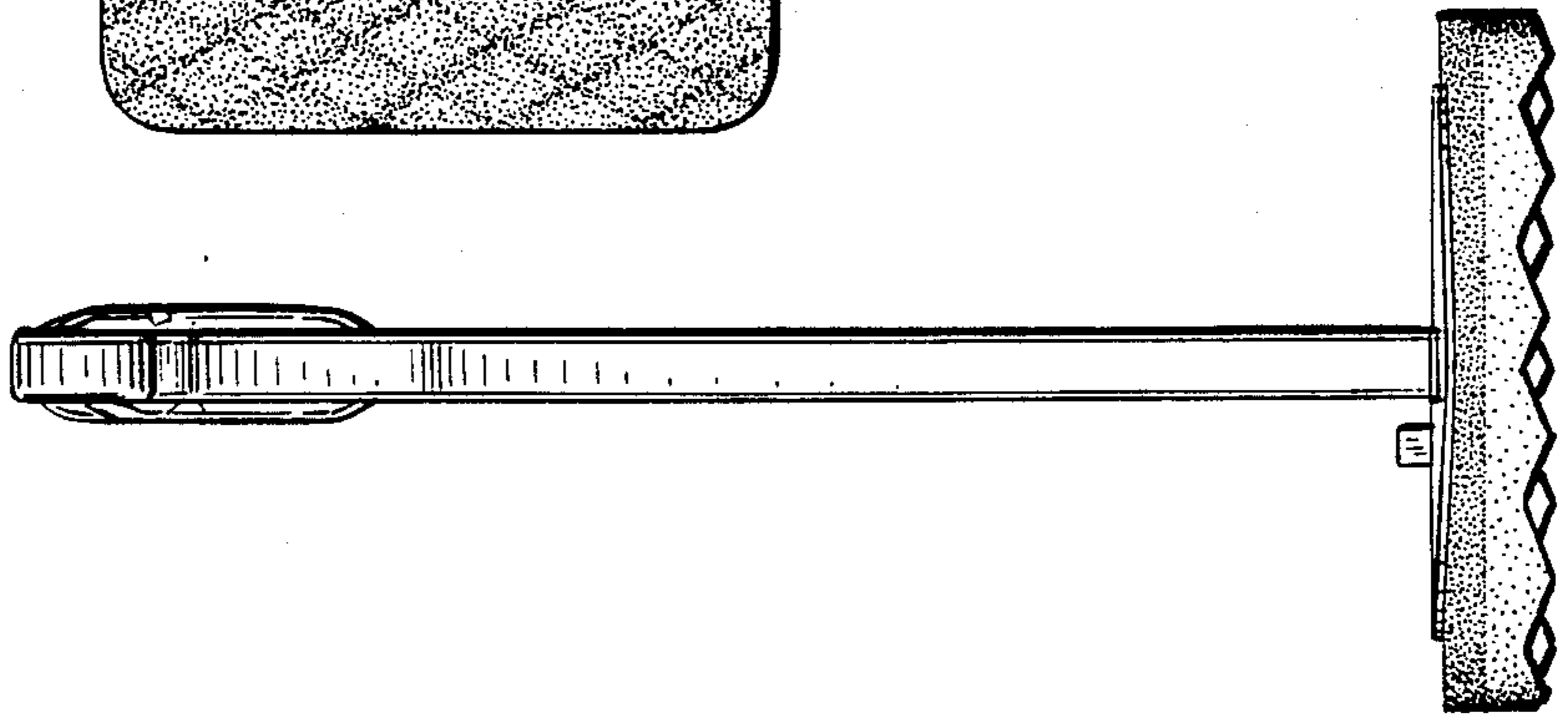


FIG. 6

