

[54] **FLOOD LIGHT**

[75] **Inventor: James E. Roulstone, Spring, Tex.**  
[73] **Assignee: Innovative Controls, Inc., Houston, Tex.**  
[\*\*] **Term: 14 Years**  
[21] **Appl. No.: 65,712**  
[22] **Filed: Jun. 24, 1987**  
[52] **U.S. Cl. .... D26/63**  
[58] **Field of Search .... D26/60-66, D26/72, 80-92; 362/432, 147, 362, 310, 311, 370-373, 269, 275, 287, 418, 419, 427, 428**

[56] **References Cited**  
**U.S. PATENT DOCUMENTS**  
D. 86,419 3/1932 Sutter ..... D26/63  
D. 104,401 5/1937 Kanter ..... D26/63  
D. 209,005 10/1967 Moore ..... D26/63  
4,259,710 3/1981 Schlack ..... 362/418 X

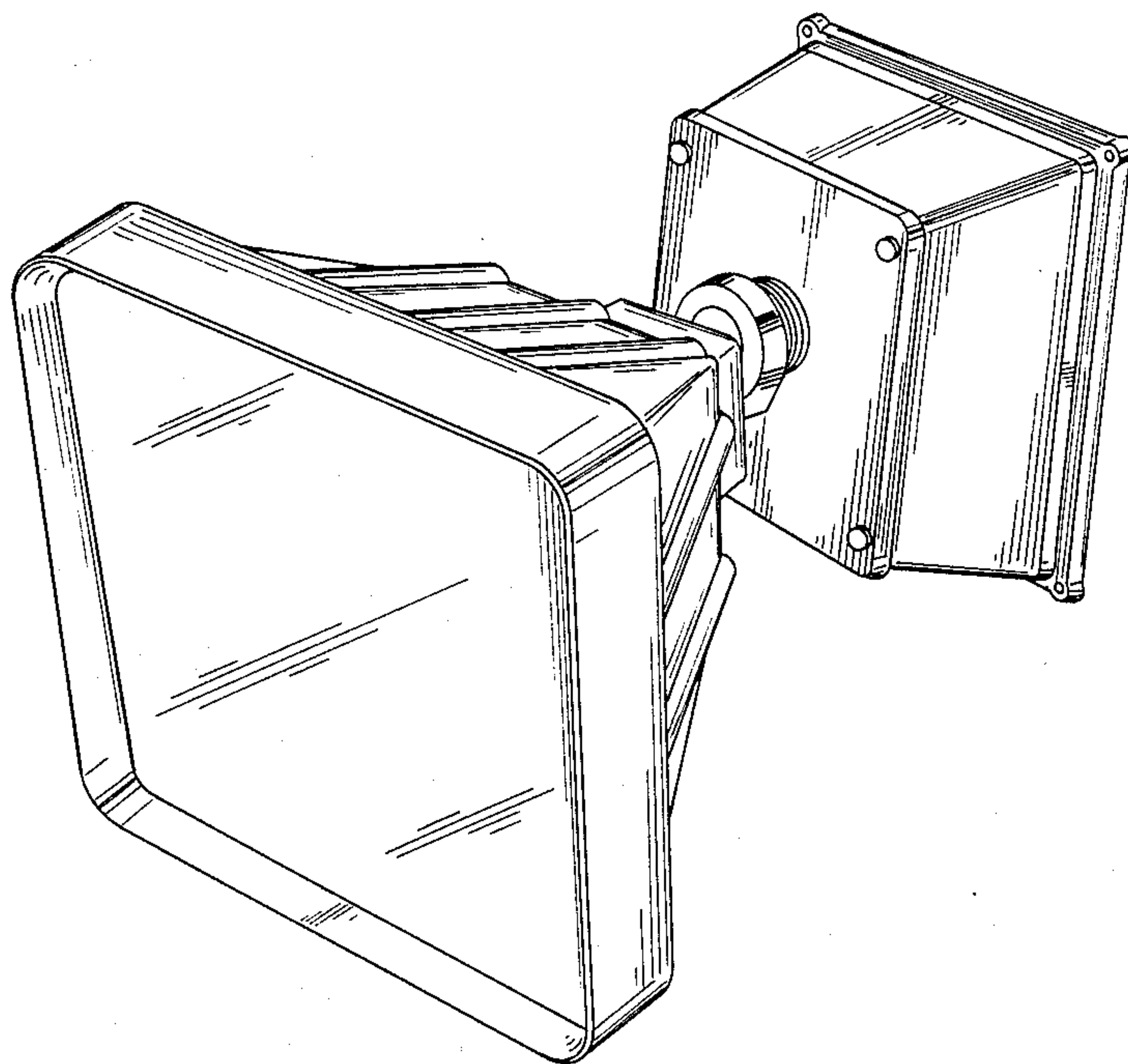
**OTHER PUBLICATIONS**

Hardware Age, 5-1972, p. 166, Wall/Ceiling Lighting Fixture.  
Light & Lighting, (England), 11-1961, p. 345, Spotlight.  
Light & Lighting (England), 3-1972, p. 116, Industrial Lighting Fixture, (#25).  
*Primary Examiner*—Susan J. Lucas  
*Attorney, Agent, or Firm*—Vaden, Eickenroht, Thompson & Boulware

[57] **CLAIM**  
The ornamental design for a flood light, as shown and described.

**DESCRIPTION**

FIG. 1 is a front perspective view of a flood light showing my new design;  
FIG. 2 is a side elevational view thereof, the opposite side being a mirror image;  
FIG. 3 is a top plan view thereof, the bottom being a mirror image.



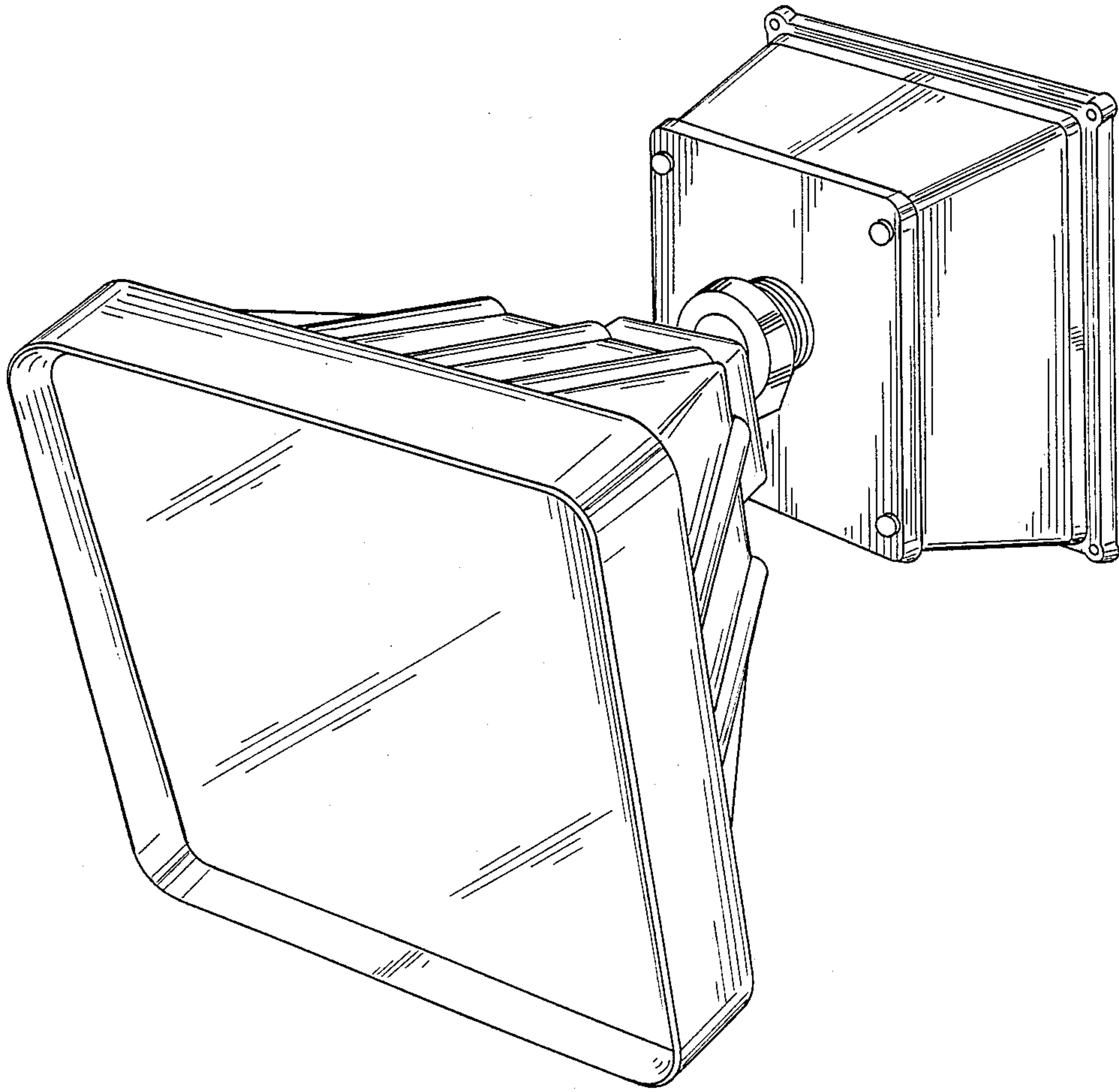


FIGURE 1

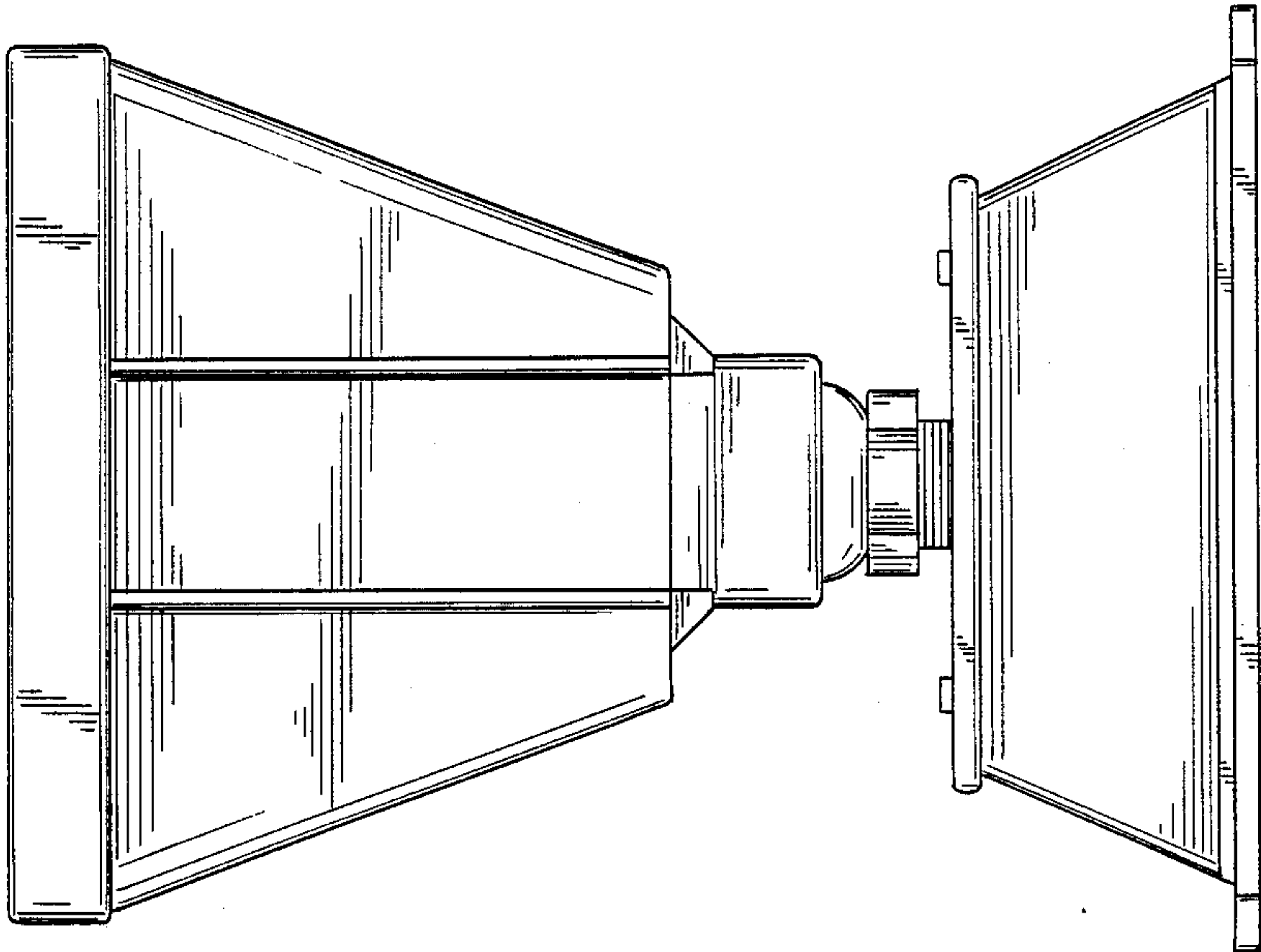


FIGURE 2

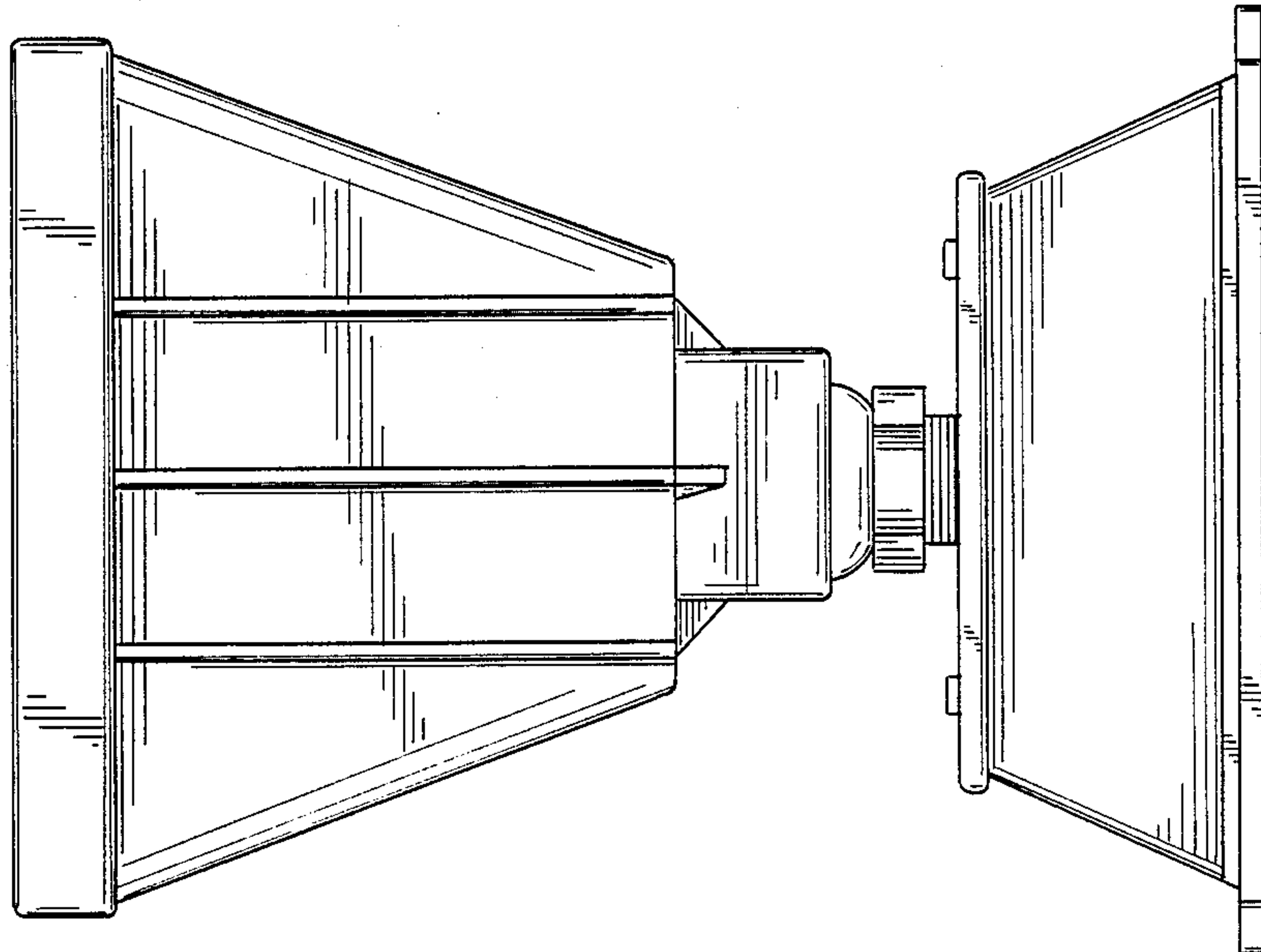


FIGURE 3