

[54] SELF STORING SECURITY STORM DOOR

DESCRIPTION

[75] Inventor: Harold E. Werthman, Denver, Colo.

[73] Assignee: All-Weather Industries, Inc., Denver, Colo.

[\*\*] Term: 14 Years

[21] Appl. No.: 216,986

[22] Filed: Jul. 11, 1988

[52] U.S. Cl. .... D25/48

[58] Field of Search ..... D25/47, 48, 49; 49/50, 49/52, 501; 160/37, 87, 90, 104

[56] References Cited

U.S. PATENT DOCUMENTS

D. 94,531	2/1935	Bemis	.....	D25/48
2,540,864	2/1951	Carter	.....	160/37
2,643,710	5/1949	Sylvan	.....	160/90
2,983,315	8/1959	D'Dona	.....	160/37
3,244,222	4/1966	Johnson	.....	160/37

Primary Examiner—A. Hugo Word  
Assistant Examiner—Doris Clark  
Attorney, Agent, or Firm—Norvell E. Von Behren

[57] CLAIM

The ornamental design for a self storing security storm door, as shown and described.

FIG. 1 is a front elevational view of a self storing security storm door showing my new design;  
 FIG. 2 is a rear elevational view thereof;  
 FIG. 3 is a right side elevational view thereof, the left side elevational view being a mirror image thereof;  
 FIG. 4 is a top plan view thereof;  
 FIG. 5 is a bottom plan view thereof;  
 FIG. 6 is a front elevational view of a modification of a self storing security storm door showing my new design;  
 FIG. 7 is a rear elevational view of the modification of FIG. 6.  
 FIG. 8 is a right side elevational view of the modification of FIG. 6, the left side elevational view being a mirror image thereof;  
 FIG. 9 is a top plan view of the modification of FIG. 6;  
 FIG. 10 is a bottom plan view of the modification of FIG. 6;  
 FIG. 11 is a front elevational view of another modification of a self storing security storm door showing my new design;  
 FIG. 12 is a rear elevational view of the modification of FIG. 11;  
 FIG. 13 is a right side elevational view of the modification of FIG. 11, the left side elevational view being a mirror image thereof;  
 FIG. 14 is a top plan view of the modification of FIG. 11; and  
 FIG. 15 is a bottom plan view of the modification of FIG. 11.

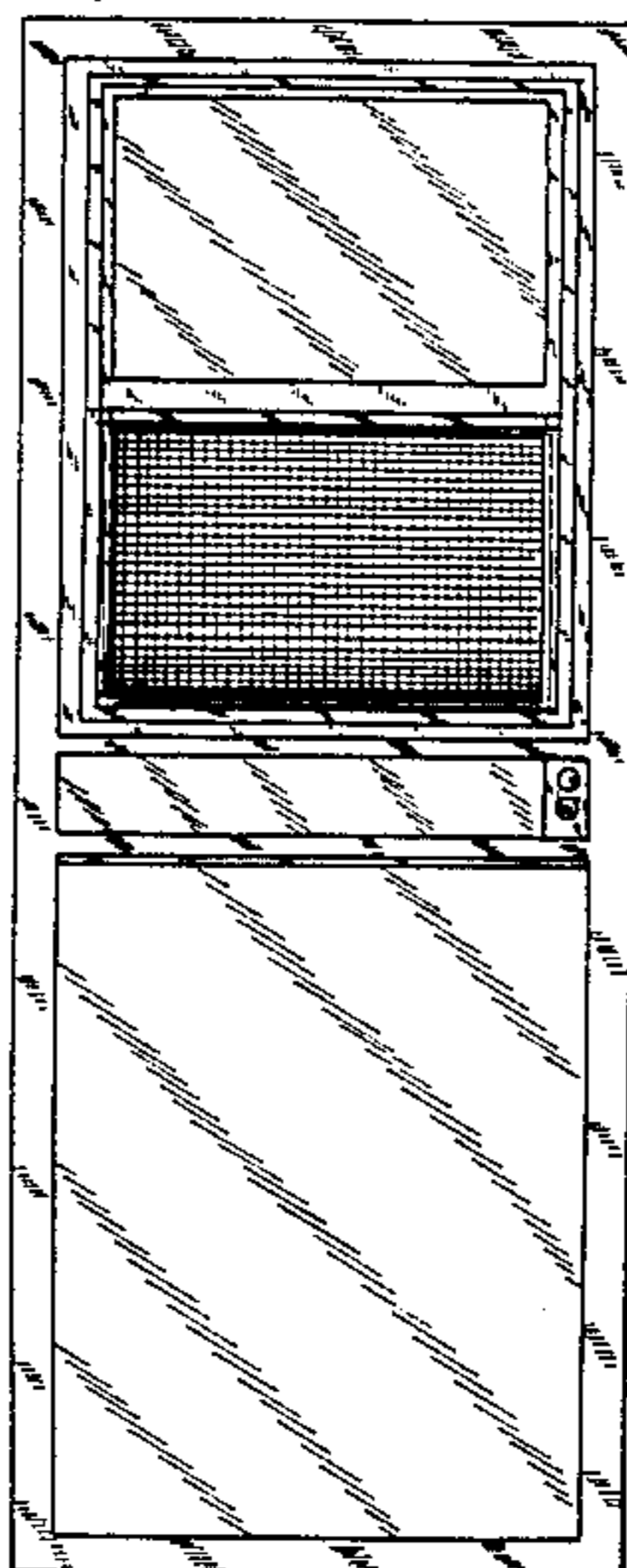




FIG-3

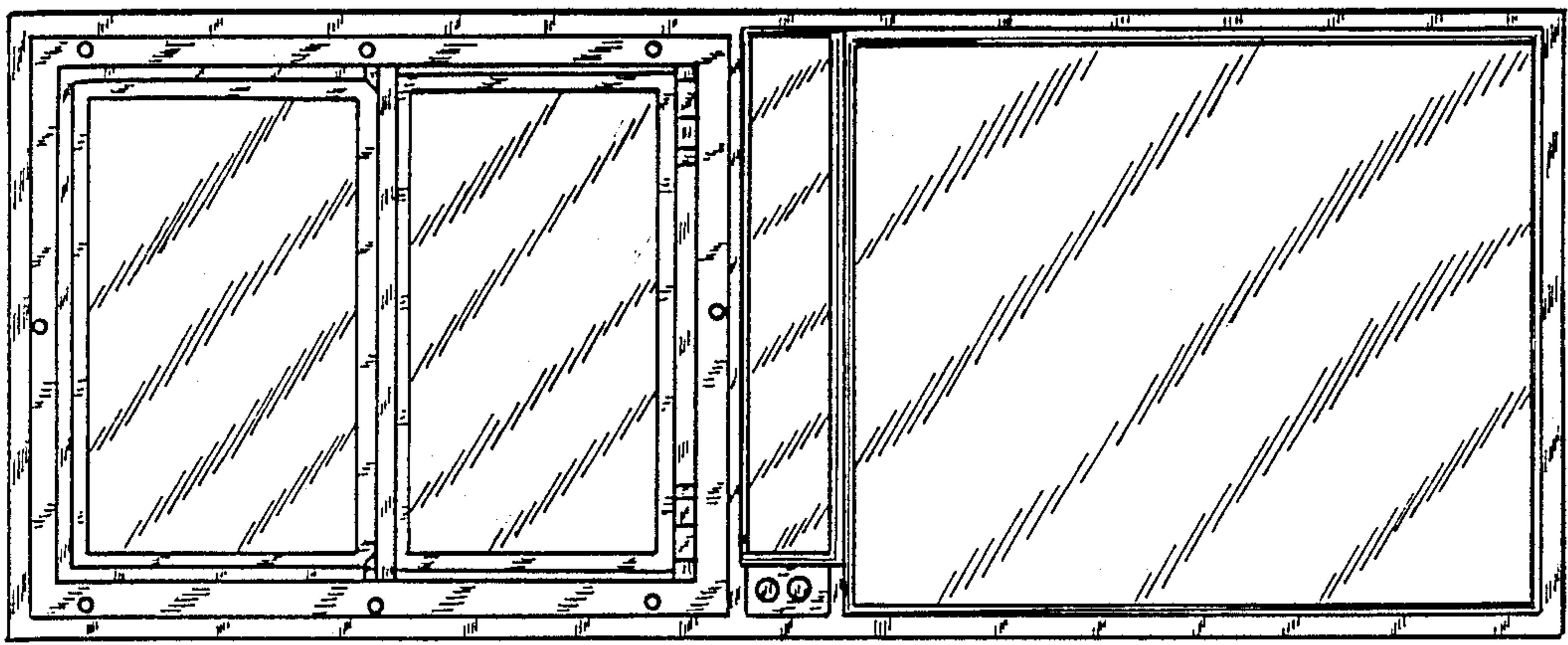


FIG-2



FIG-5

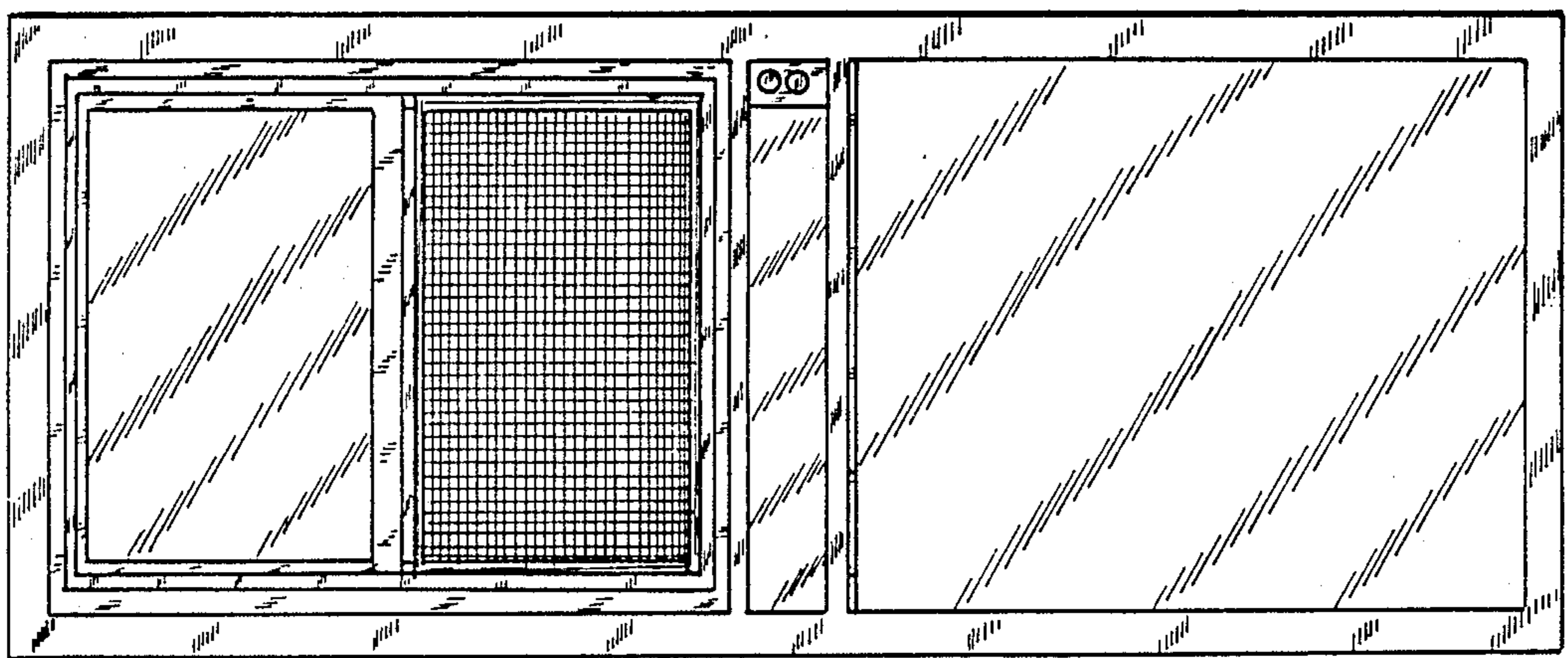


FIG-1



FIG-4



FIG-8

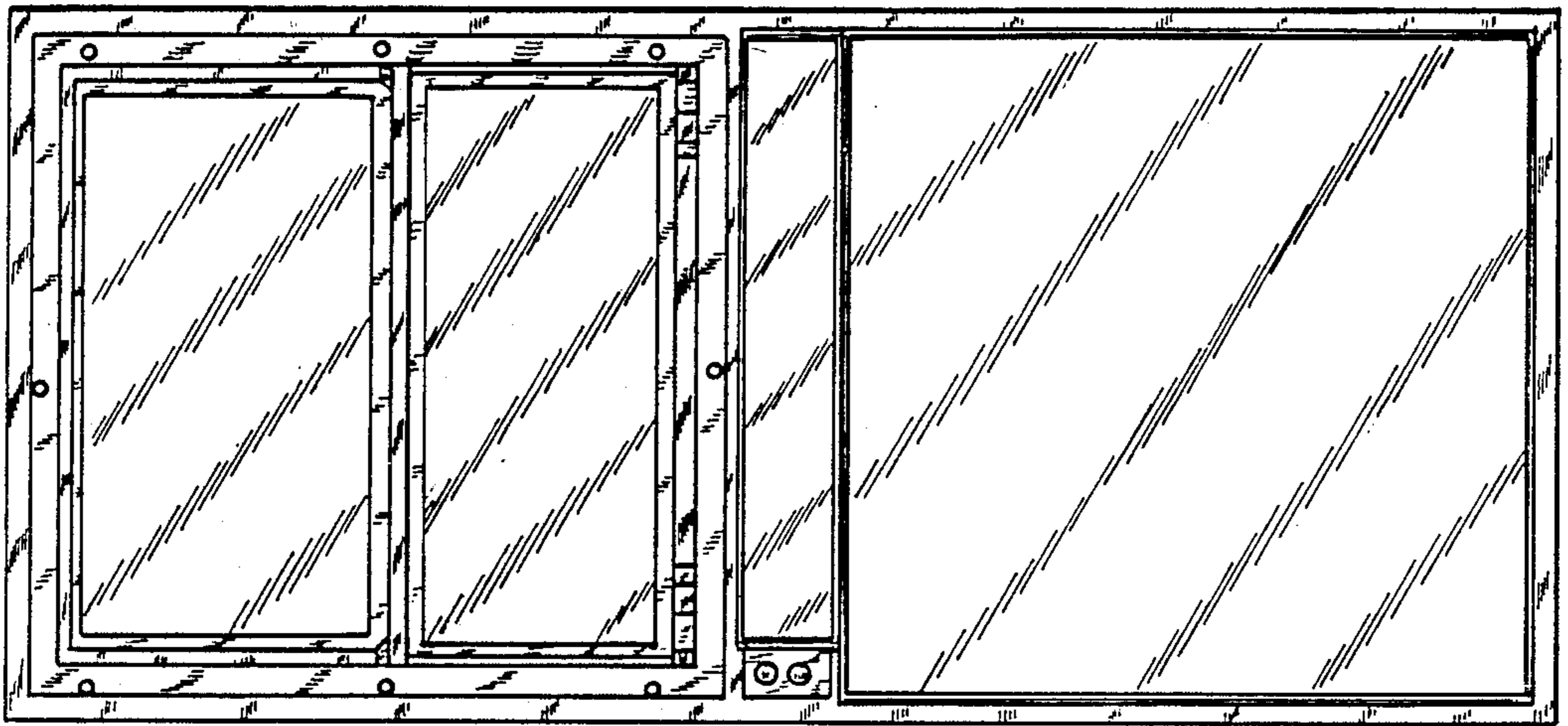


FIG-7



FIG-10

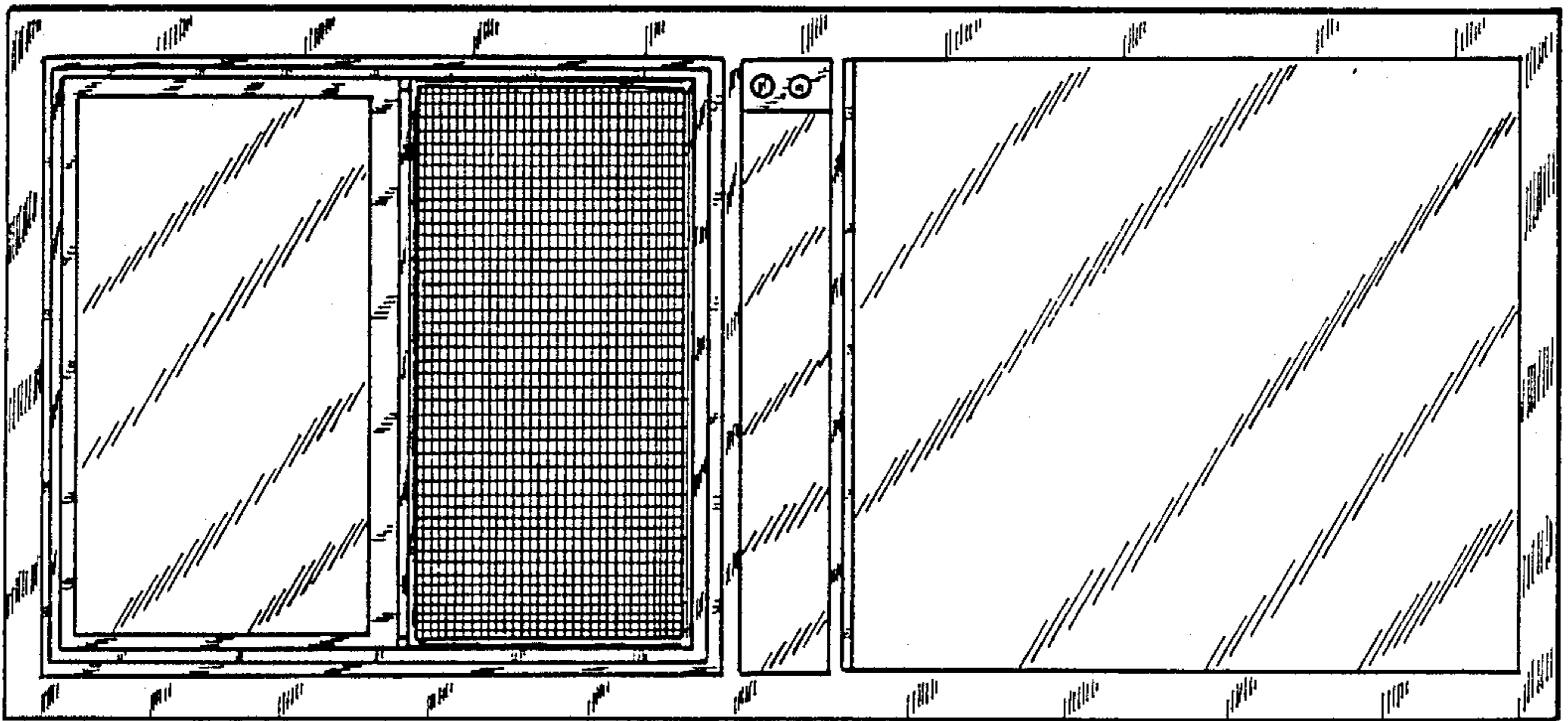


FIG-6



FIG-9

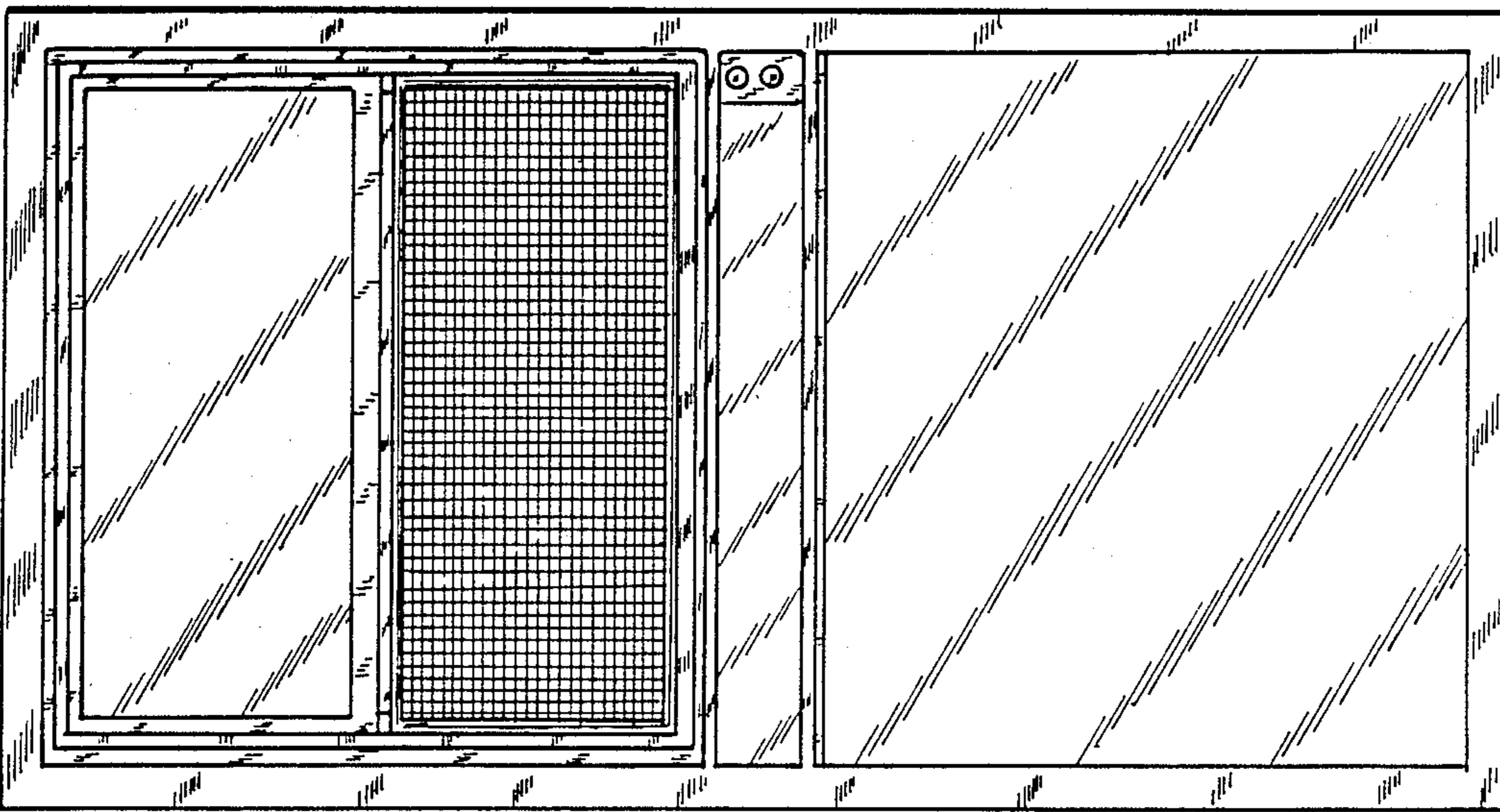


FIG-11

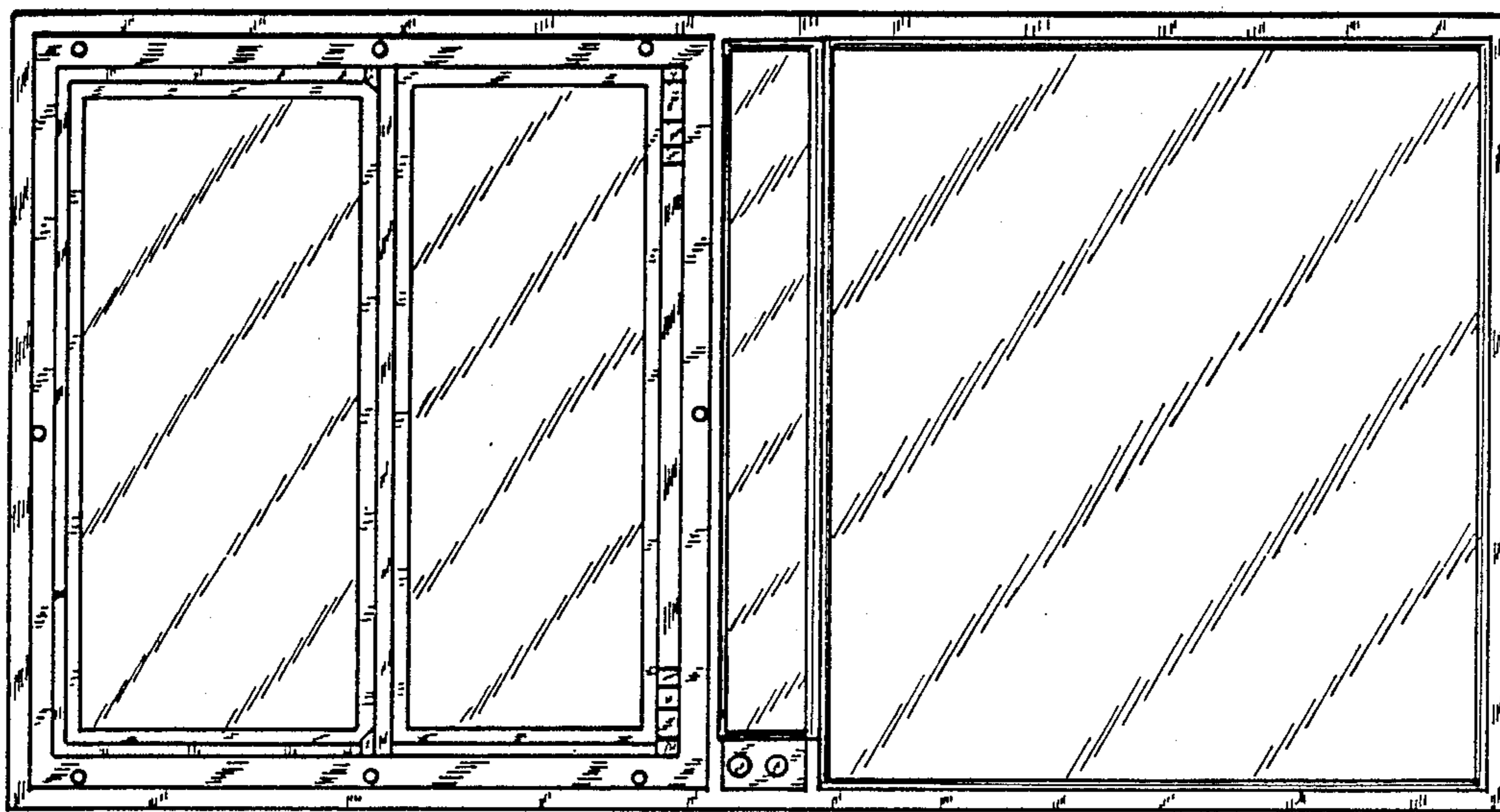


FIG-12



FIG-13



FIG-14



FIG-15