

[54] **MEDICAMENT INJECTOR**

[75] **Inventors: Kenneth W. Dunlap, Plymouth; David Bardwell, Minnetonka, both of Minn.**

[73] **Assignee: Derata Corporation, Minneapolis, Minn.**

[**] **Term: 14 Years**

[21] **Appl. No.: 44,520**

[22] **Filed: Apr. 30, 1987**

[52] **U.S. Cl. D24/24**

[58] **Field of Search D24/24, 25; 604/68, 604/69, 70, 71, 136, 191**

[56] **References Cited**

U.S. PATENT DOCUMENTS

2,322,244	6/1943	Lockhart	123/215
2,547,099	4/1951	Smoot	128/173
2,605,763	8/1952	Smoot	128/173
2,645,223	7/1953	Lawshe	128/173
2,687,725	8/1954	Hein, Jr.	128/173
2,754,818	7/1956	Scherer	604/68
2,762,369	9/1956	Venditty	128/173
2,762,370	9/1956	Venditty	128/173
2,816,543	12/1957	Venditty et al.	128/173
2,816,544	12/1957	Scherer et al.	128/173
2,825,332	3/1958	Johnson	128/173
3,115,133	12/1963	Morando	604/70
3,129,708	4/1964	Krantz	128/173
3,330,276	8/1967	Gordon	128/173
3,335,722	8/1967	Lowry et al.	128/173
3,507,276	4/1970	Burgess	128/173
3,521,633	7/1970	Yahner	128/173
4,394,863	7/1983	Bartner	604/90

4,507,113	3/1985	Dunlap	604/71
4,573,971	3/1986	Kamstra	604/191
4,573,972	3/1986	Kamstra	604/191
4,596,556	6/1986	Morrow et al.	604/70
4,623,332	11/1986	Lindmayer et al.	604/68
4,624,660	11/1986	Mijers et al.	604/136

OTHER PUBLICATIONS

Preci-Jet 50 Box, (Exhibit 1).
 Photograph of Preci-Jet 50, (Exhibit 2).
 Vitajet Instruction Manual, pp. 2 and 24, (Exhibit 3).
 Medi-Jector II Instruction Manual, pp. i and 12, (Exhibit 4).
 Medi-Jector LV, pp. ii and 12, (Exhibit 5).
 Medi-Jector Instructions Manual at p. 5, (Exhibit 6).

Primary Examiner—Wallace R. Burke
Assistant Examiner—Stella M. Reid
Attorney, Agent, or Firm—Merchant, Gould, Smith, Edell, Welter & Schmidt

[57] **CLAIM**

The ornamental design for a medicament injector, as shown and described.

DESCRIPTION

FIG. 1 is a front and top left perspective view of a medicament injector showing our new design;
 FIG. 2 is a front elevational view thereof, shown at its operative maximum extended length;
 FIG. 3 is a front elevational view thereof, shown at its operative minimum, compressed length;
 FIG. 4 is a rear elevational view thereof;
 FIG. 5 is a top plan view thereof, the bottom plan being a mirror image thereof;
 FIG. 6 is a left side elevational view thereof; and
 FIG. 7 is a right side elevational view thereof.

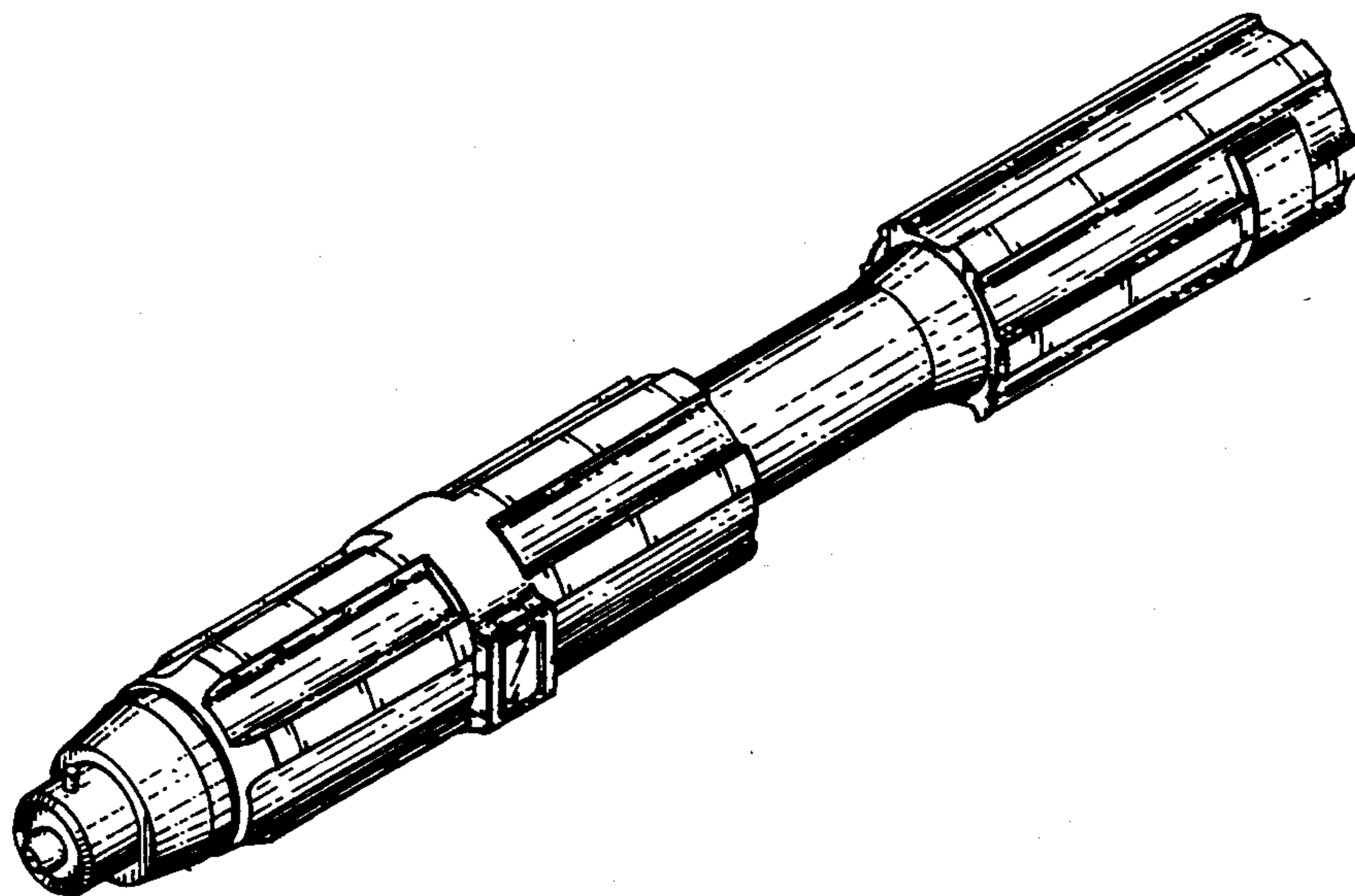


FIG. 1

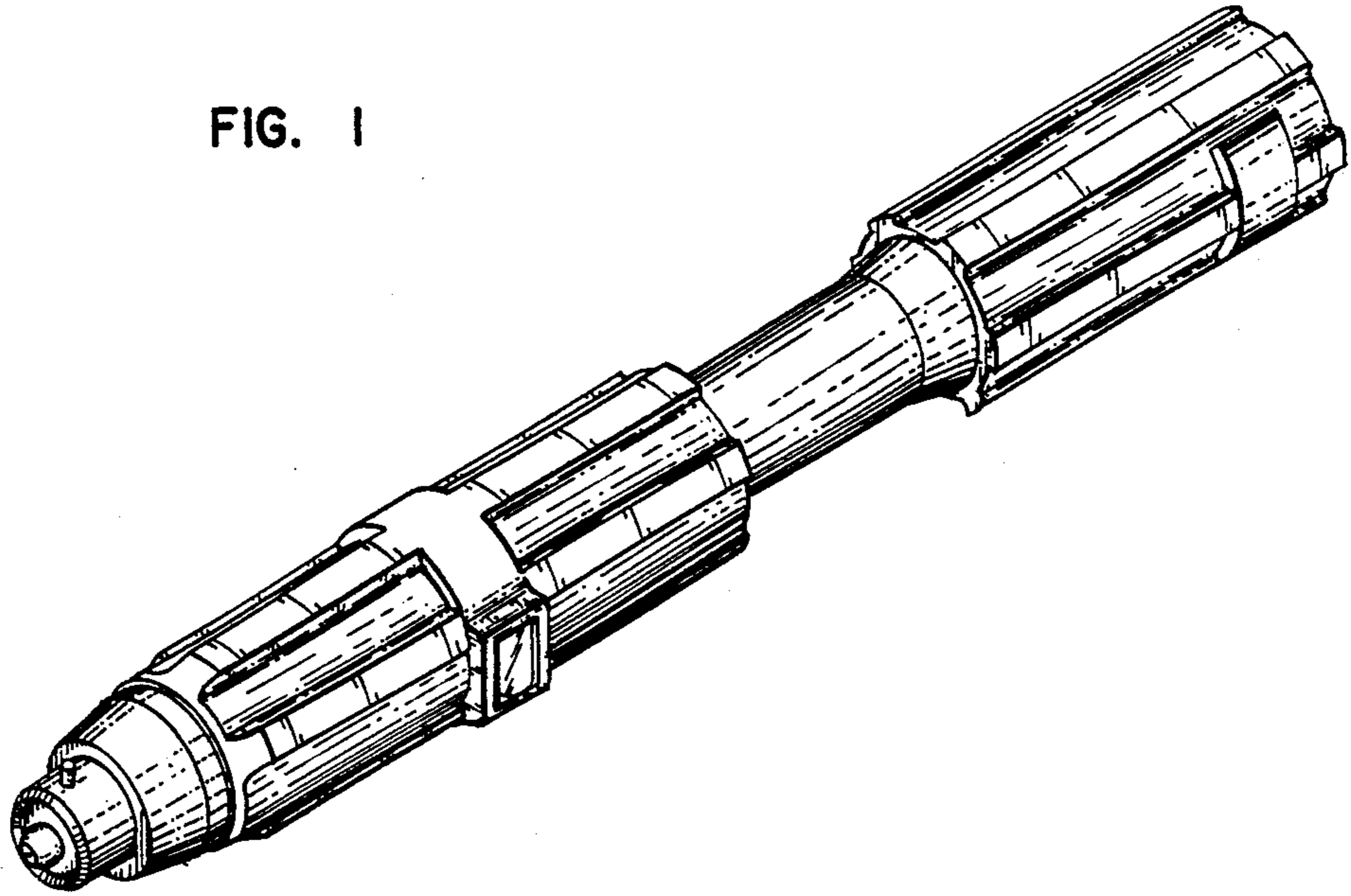


FIG. 6

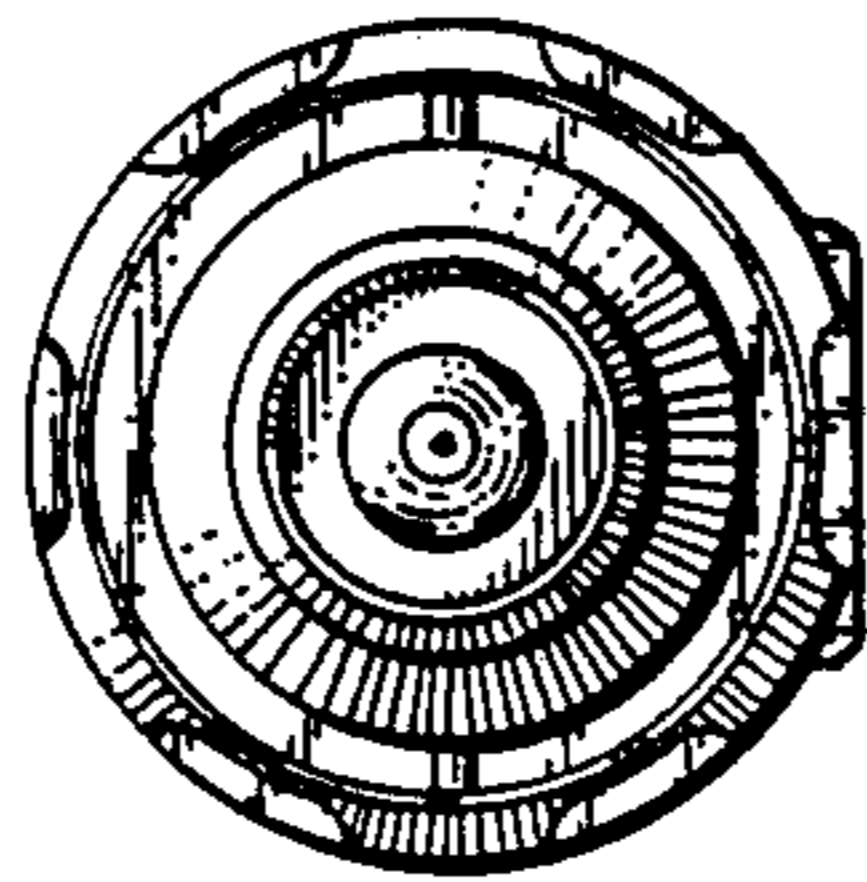


FIG. 7

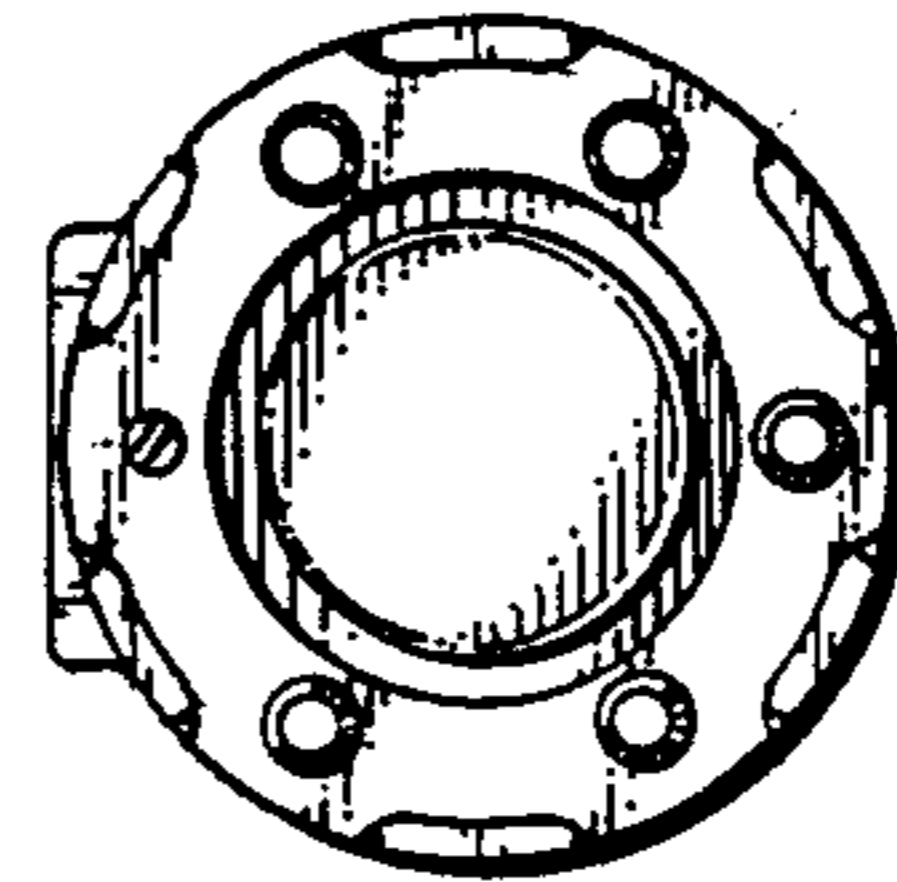


FIG. 2

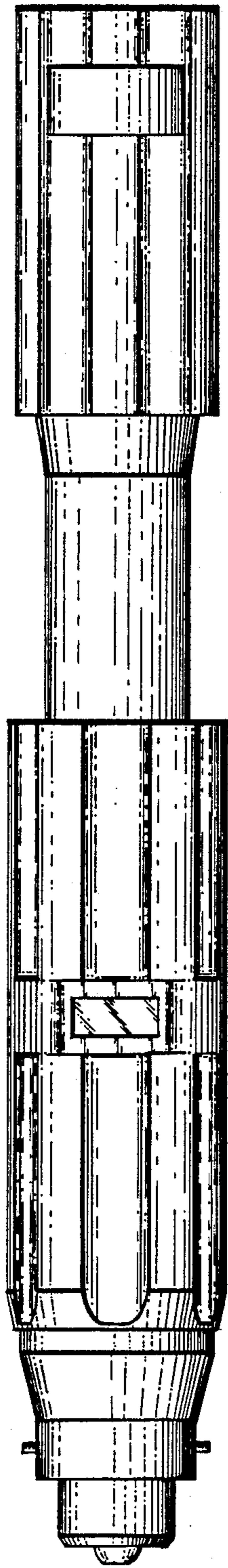


FIG. 3



FIG. 4

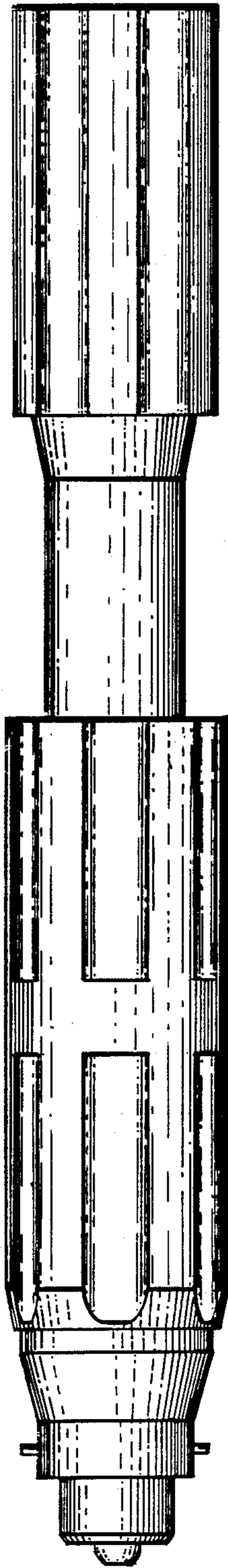


FIG. 5

