

[54] **EYEWEAR PATIENT MEASURING STATION**

[75] **Inventor: Richard Fischer, Offenbach-Burgel, Fed. Rep. of Germany**

[73] **Assignee: Eyemetrics-Systems AG, Chur, Switzerland**

[**] **Term: 14 Years**

[21] **Appl. No.: 932,484**

[22] **Filed: Nov. 18, 1986**

[30] **Foreign Application Priority Data**

May 28, 1986 [DE] Fed. Rep. of Germany URA717/86

[52] **U.S. Cl. D24/17**

[58] **Field of Search D24/17, 8, 1.1; 351/200, 222, 227; D10/46**

[56] **References Cited**

U.S. PATENT DOCUMENTS

D. 111,708 10/1938 Kurtz D10/46
2,269,312 6/1942 Johnston 351/227

Primary Examiner—Wallace R. Burke
Assistant Examiner—S. M. Reid
Attorney, Agent, or Firm—Roth & Goldman

[57] **CLAIM**

The ornamental design for an eyewear patient measuring station, as shown and described.

DESCRIPTION

FIG. 1 is a perspective view of an eyewear patient measuring station showing my new design; FIG. 2 is a right side elevational view thereof; FIG. 3 is a front elevational view thereof; FIG. 4 is a left side elevational view thereof; FIG. 5 is a rear elevational view thereof; and FIG. 6 is a top plan view thereof.

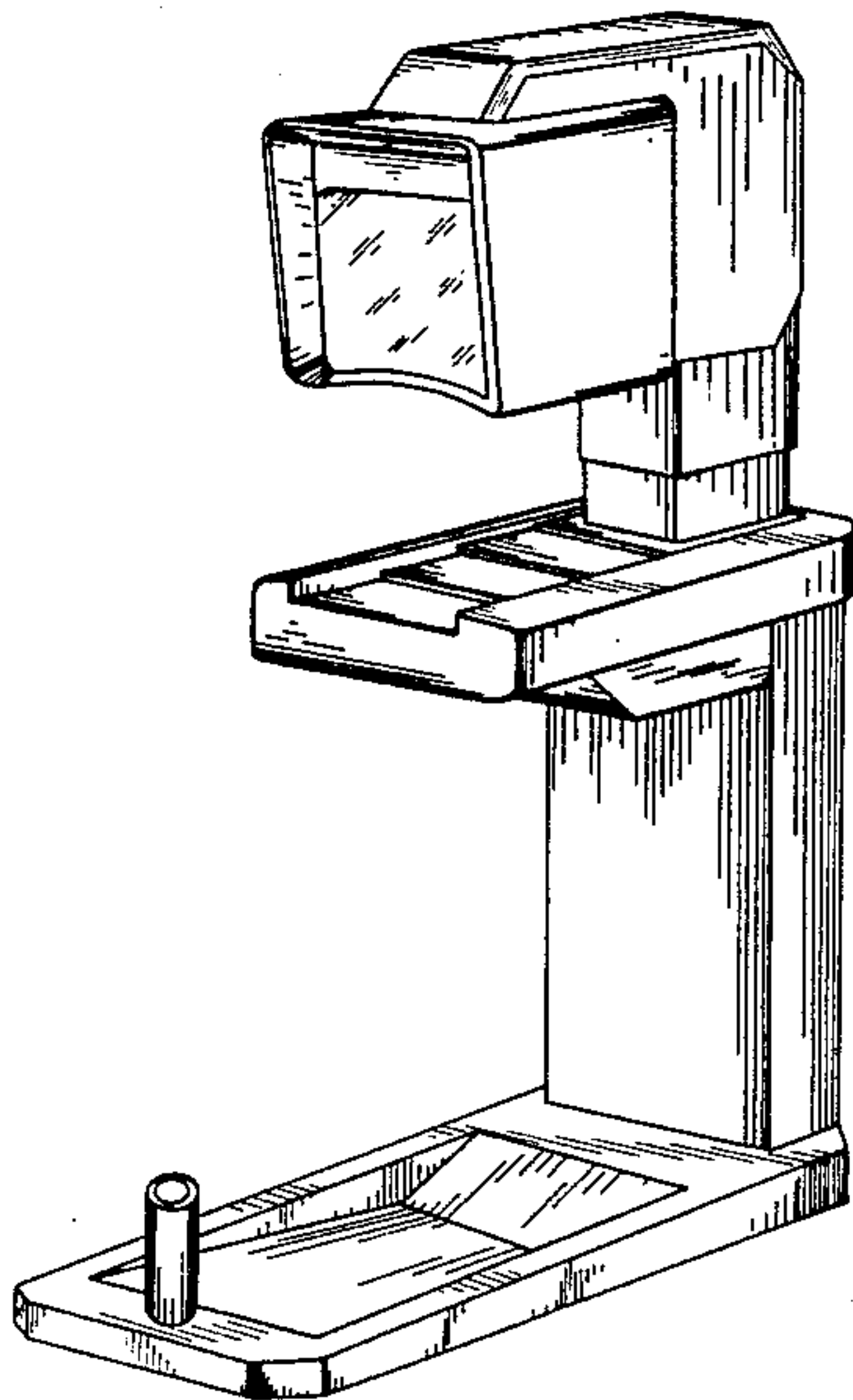


FIG. 1.

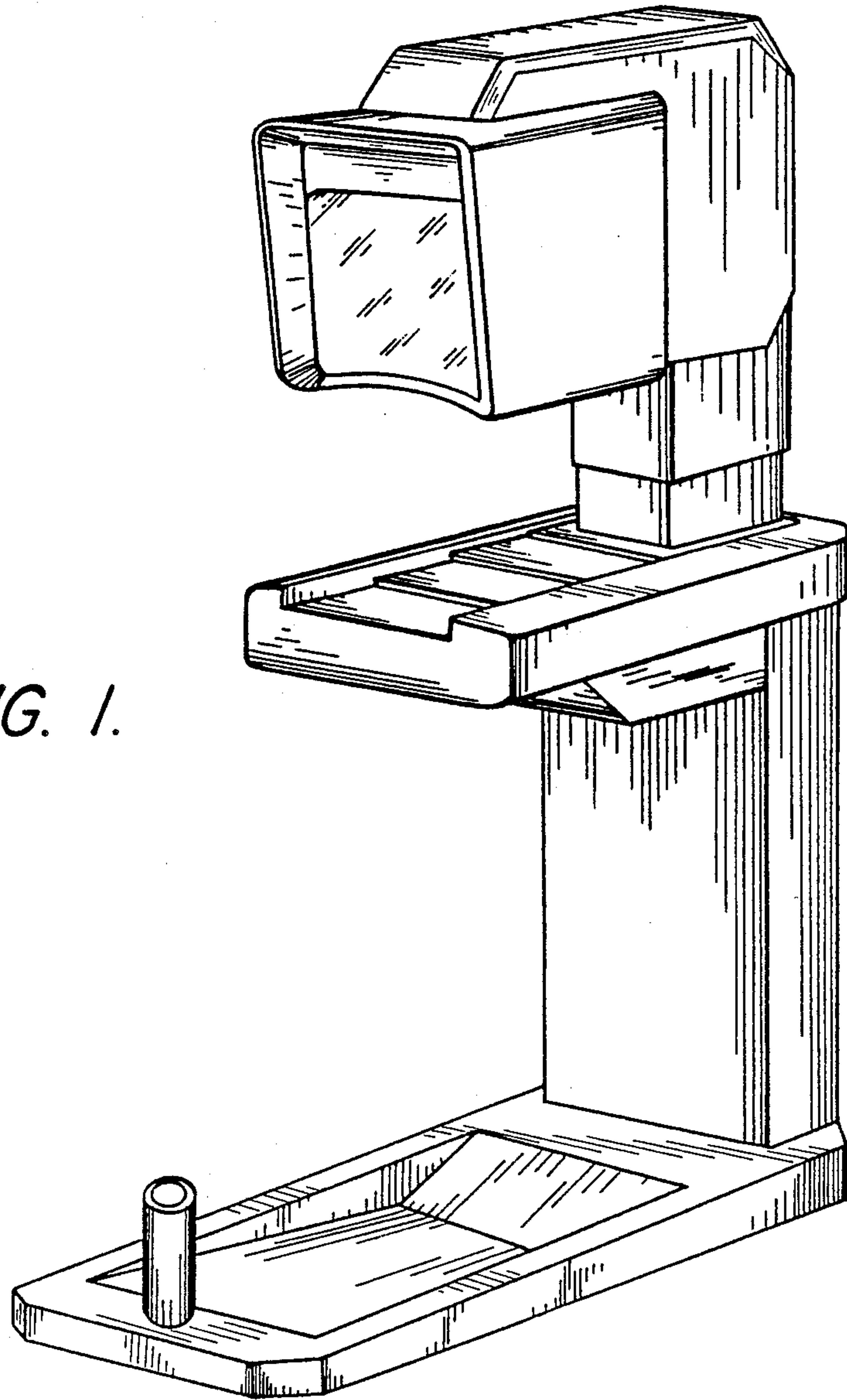


FIG. 5.

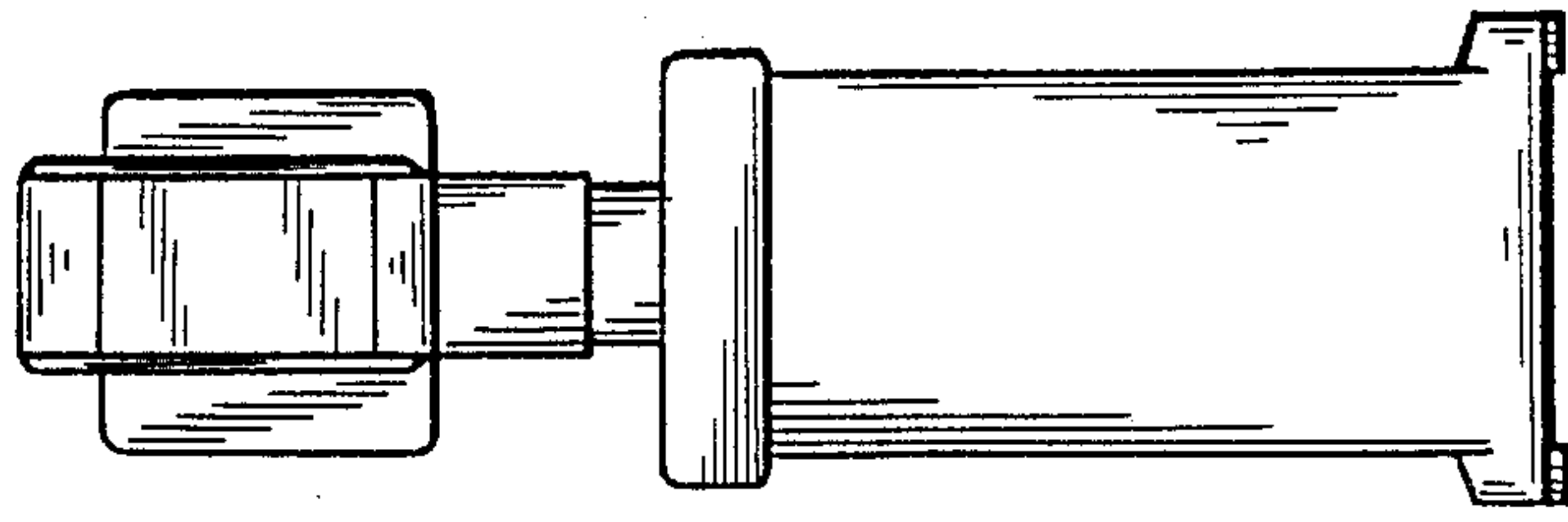


FIG. 4.

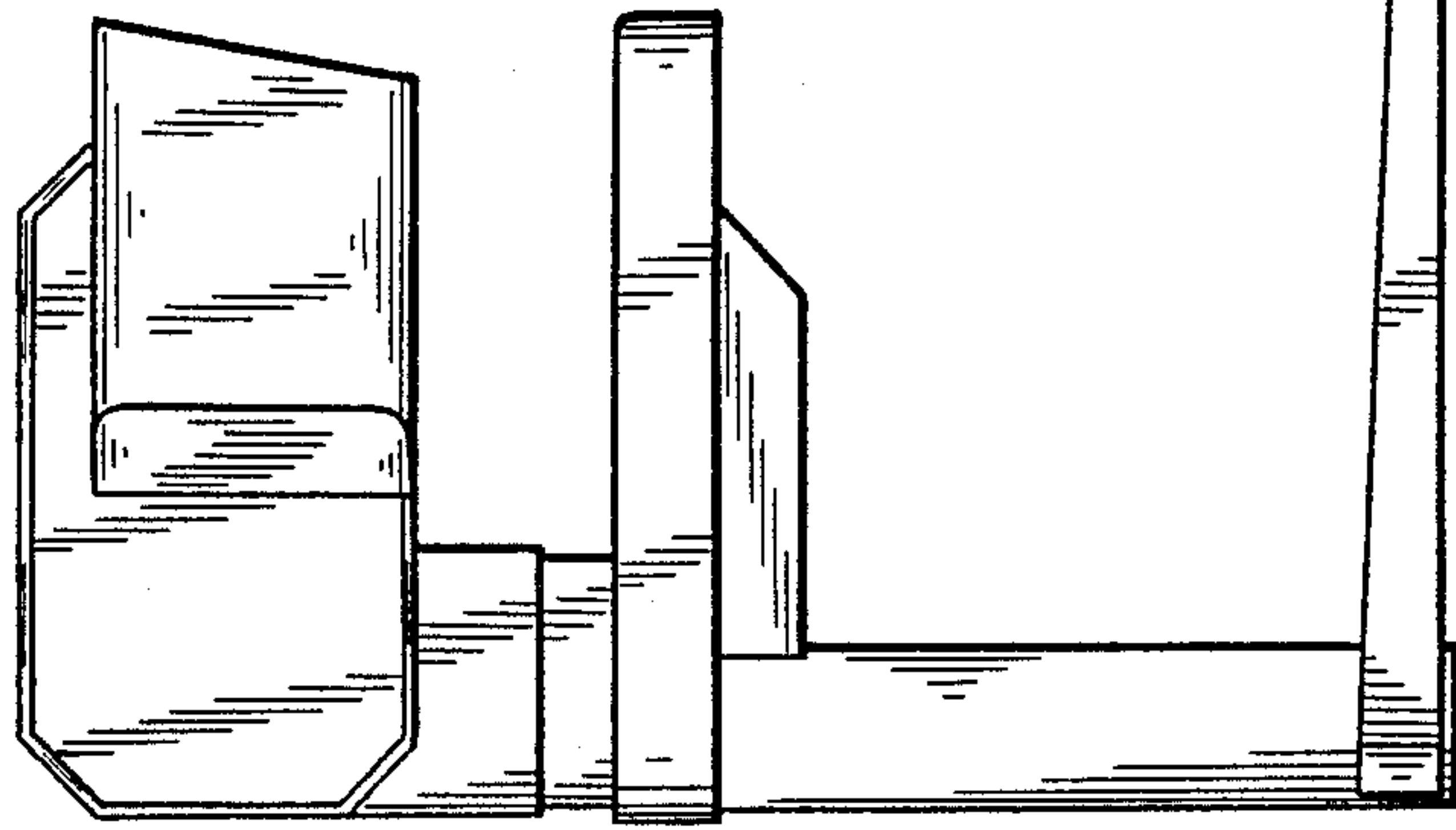


FIG. 3.

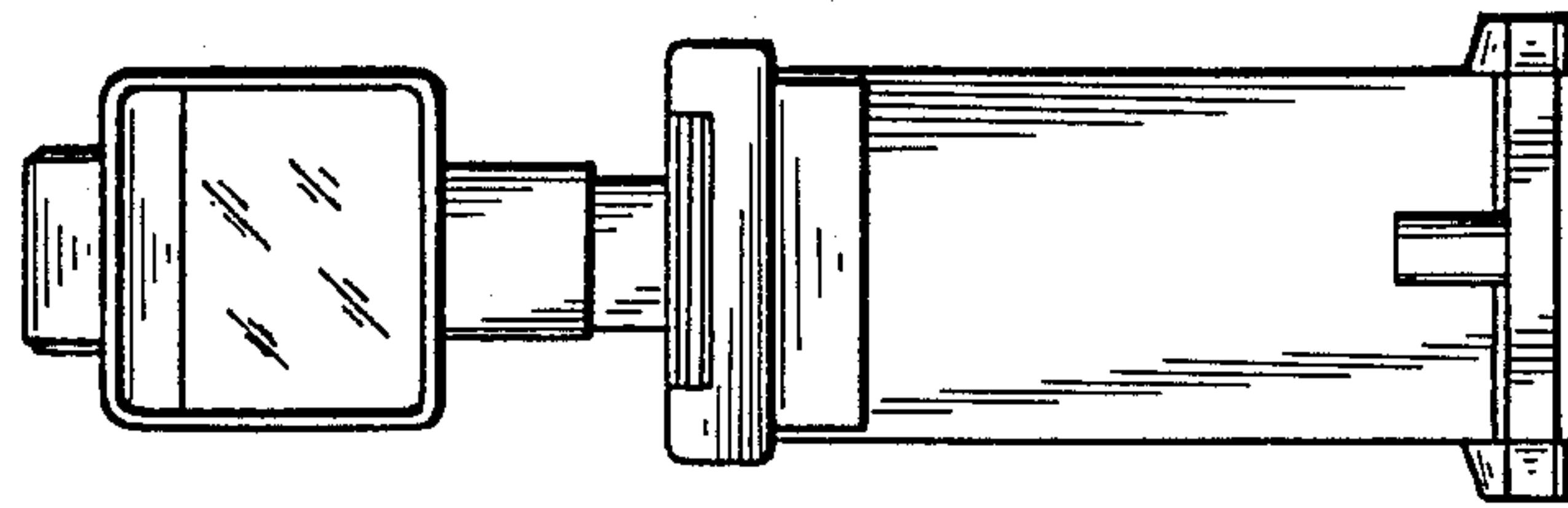


FIG. 2.

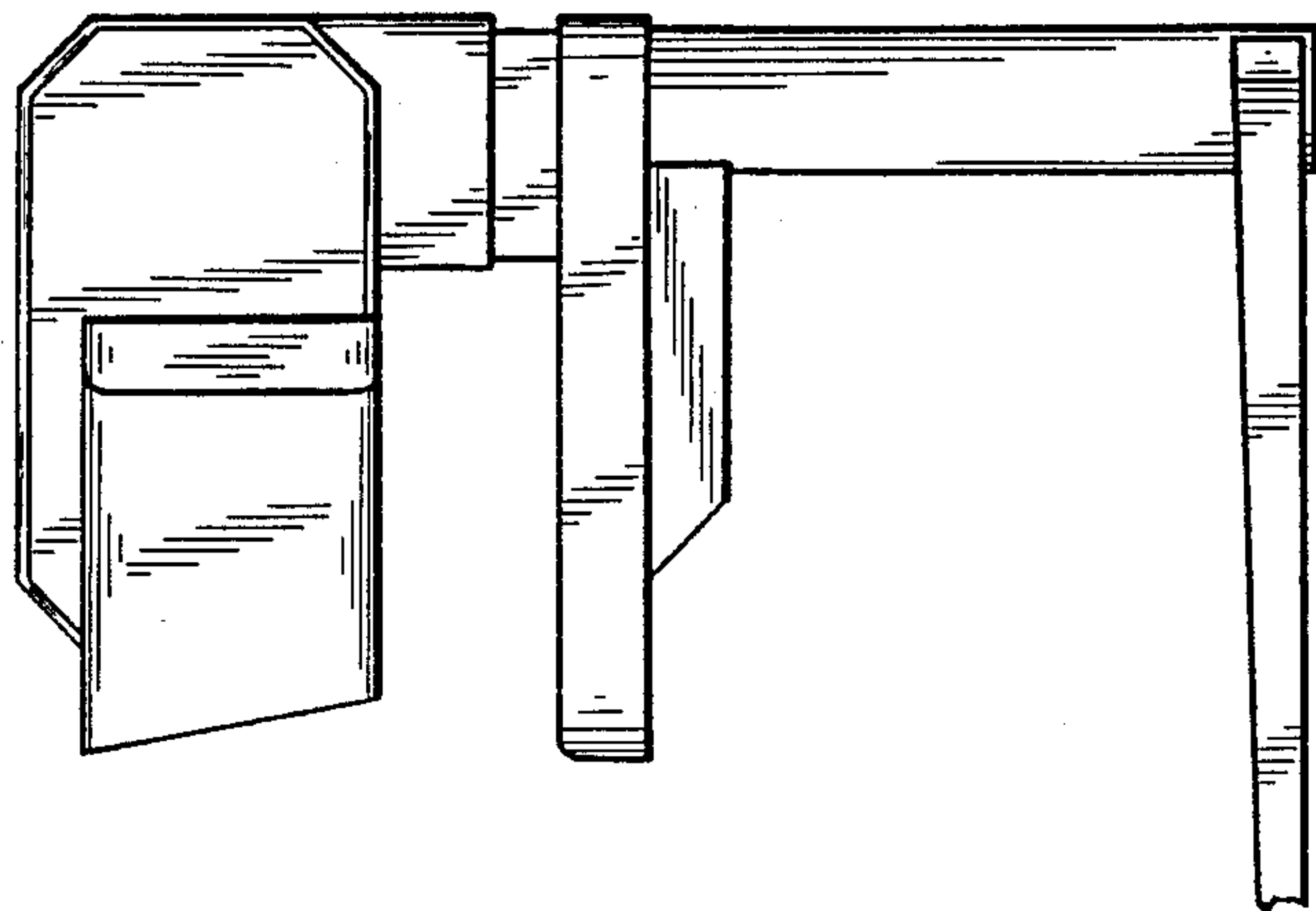


FIG. 6.

