

[54] BENCH FOR PHYSIOTHERAPEUTICAL TREATMENT

[76] Inventor: Rolf Guttormsen, N, Hjellegst. 28, 3700 Skien, Norway

[\*\*] Term: 14 Years

[21] Appl. No.: 910,746

[22] Filed: Sep. 23, 1986

[30] Foreign Application Priority Data

May 13, 1986 [NO] Norway ..... 67297

[52] U.S. Cl. .... D24/3

[58] Field of Search ..... D24/3, 1.1; 269/325, 269/322, 328, 323, 324; 5/60, 62, 63, 67, 68, 451-453, 449, 461; 128/70, 33, 376; D6/384, 383

[56] References Cited

U.S. PATENT DOCUMENTS

D. 123,370 10/1940 Stauffer ..... D24/3

D. 248,406 7/1978 Hodge ..... D24/3  
D. 260,172 8/1981 Kyle ..... D24/3  
D. 294,638 3/1988 Tominaga et al. .... D24/1.1  
3,982,741 9/1976 Mitchell et al. .... 269/325

Primary Examiner—Wallace R. Burke

Assistant Examiner—Stella M. Reid

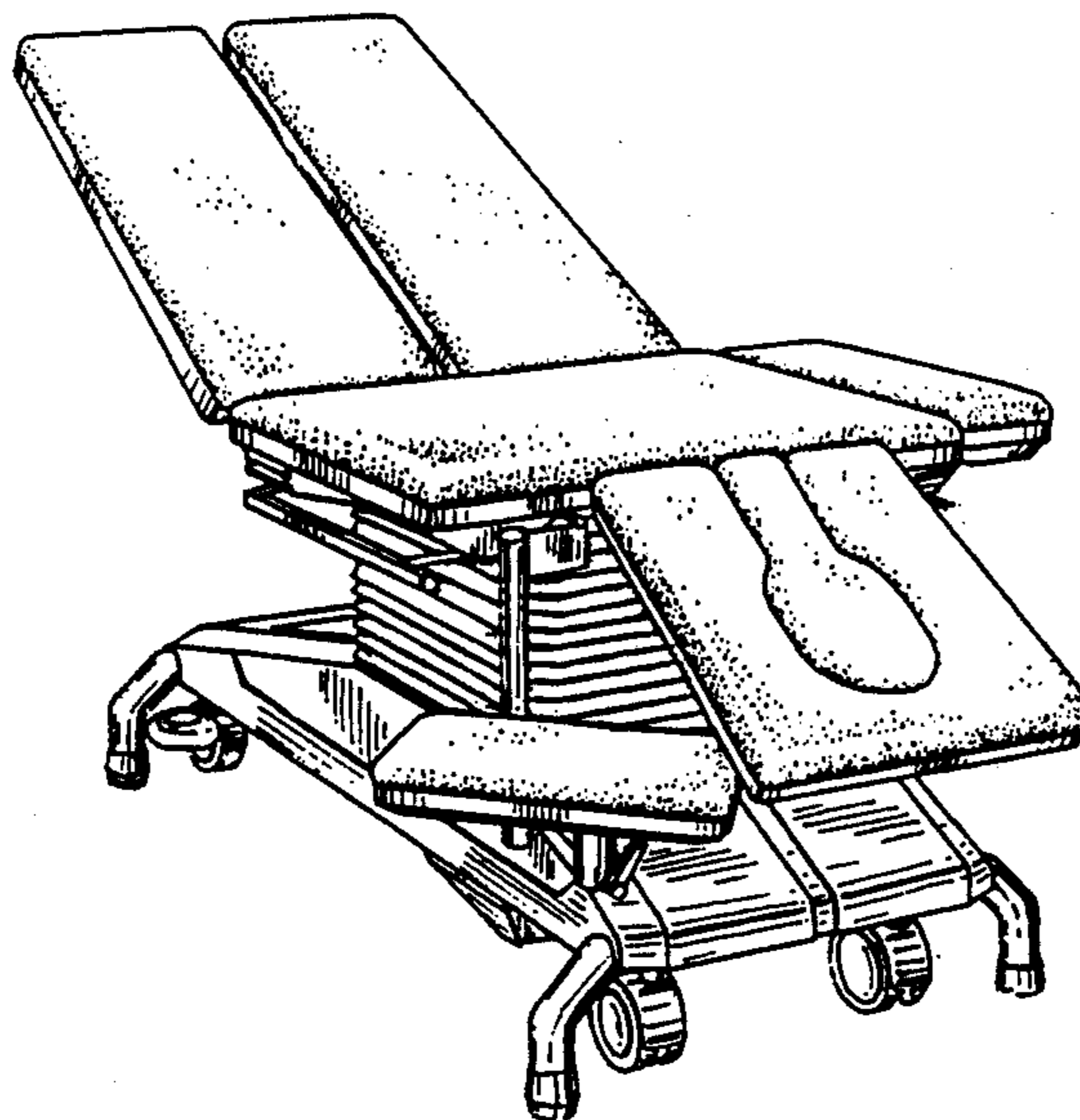
Attorney, Agent, or Firm—Ladas & Parry

[57] CLAIM

The ornamental design for a bench for physiotherapeutical treatment, as shown.

DESCRIPTION

FIG. 1 is a perspective view of a bench for physiotherapeutical treatment showing my new design; FIG. 2 is a perspective view thereof, in a raised position; FIG. 3 is an end elevational view thereof; FIG. 4 is an end elevational view thereof, opposite that shown in FIG. 3; FIG. 5 is a side elevational view thereof; and FIG. 6 is a side elevational view thereof, opposite that shown in FIG. 5.



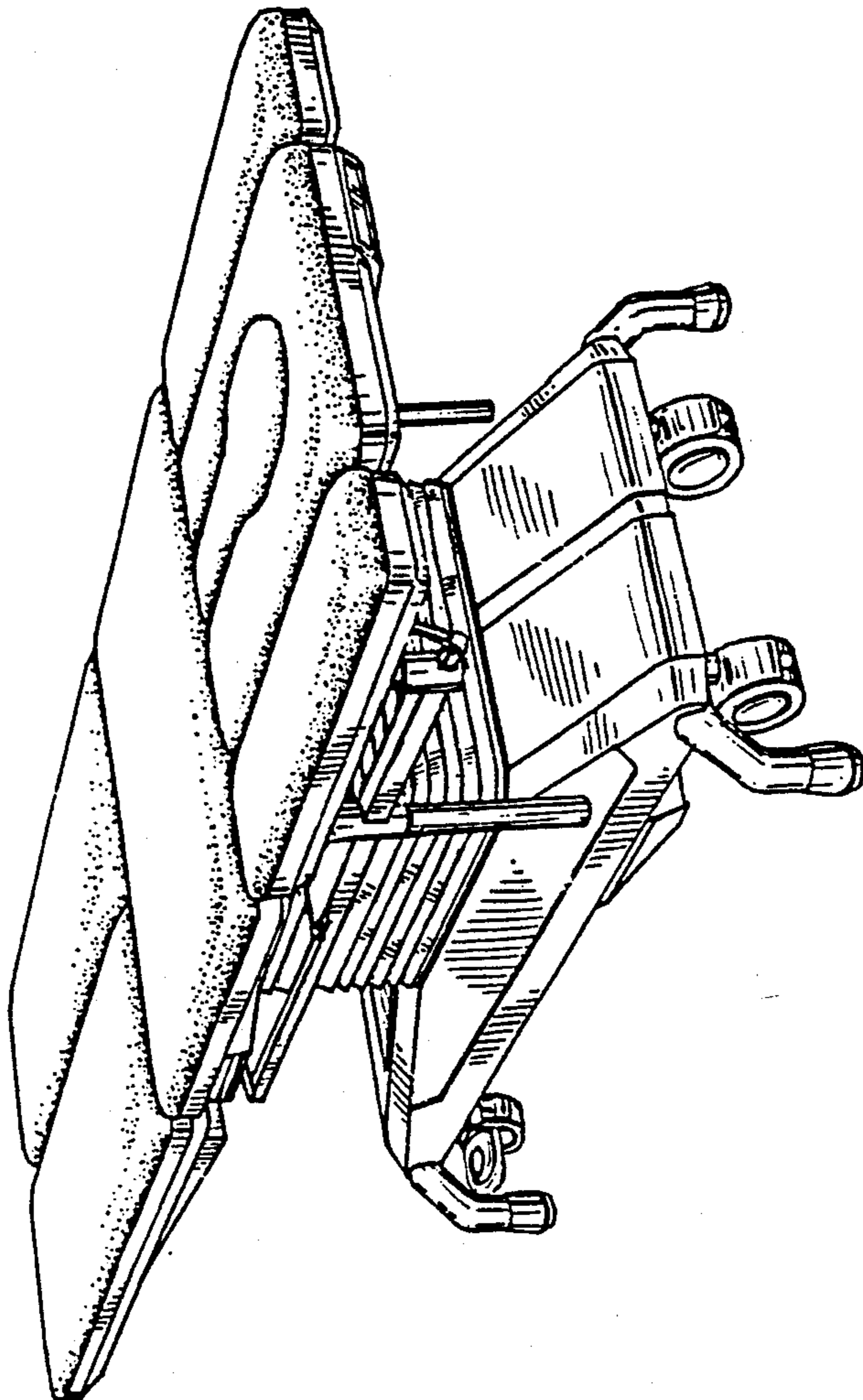


FIG. 1

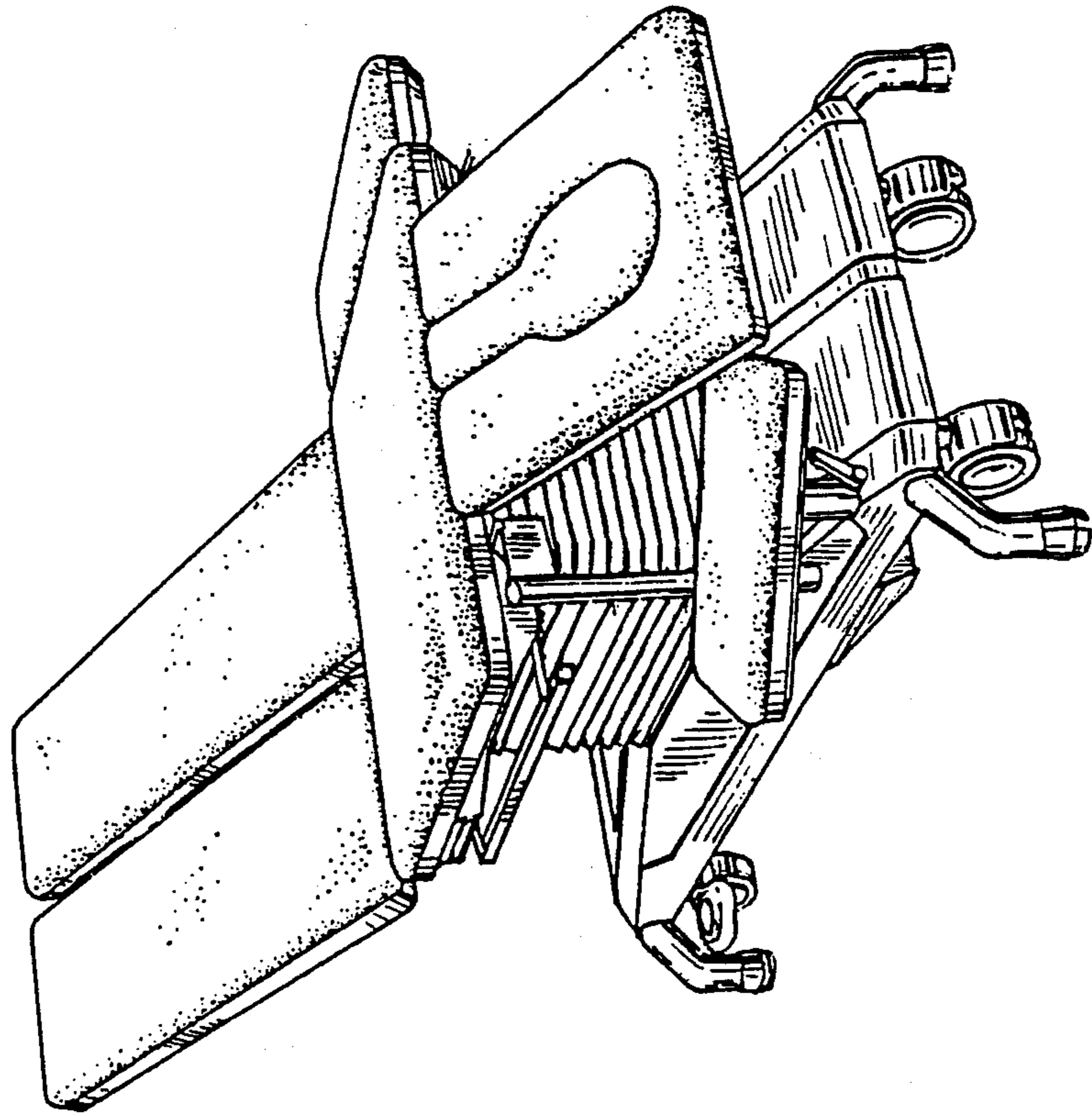


FIG. 2

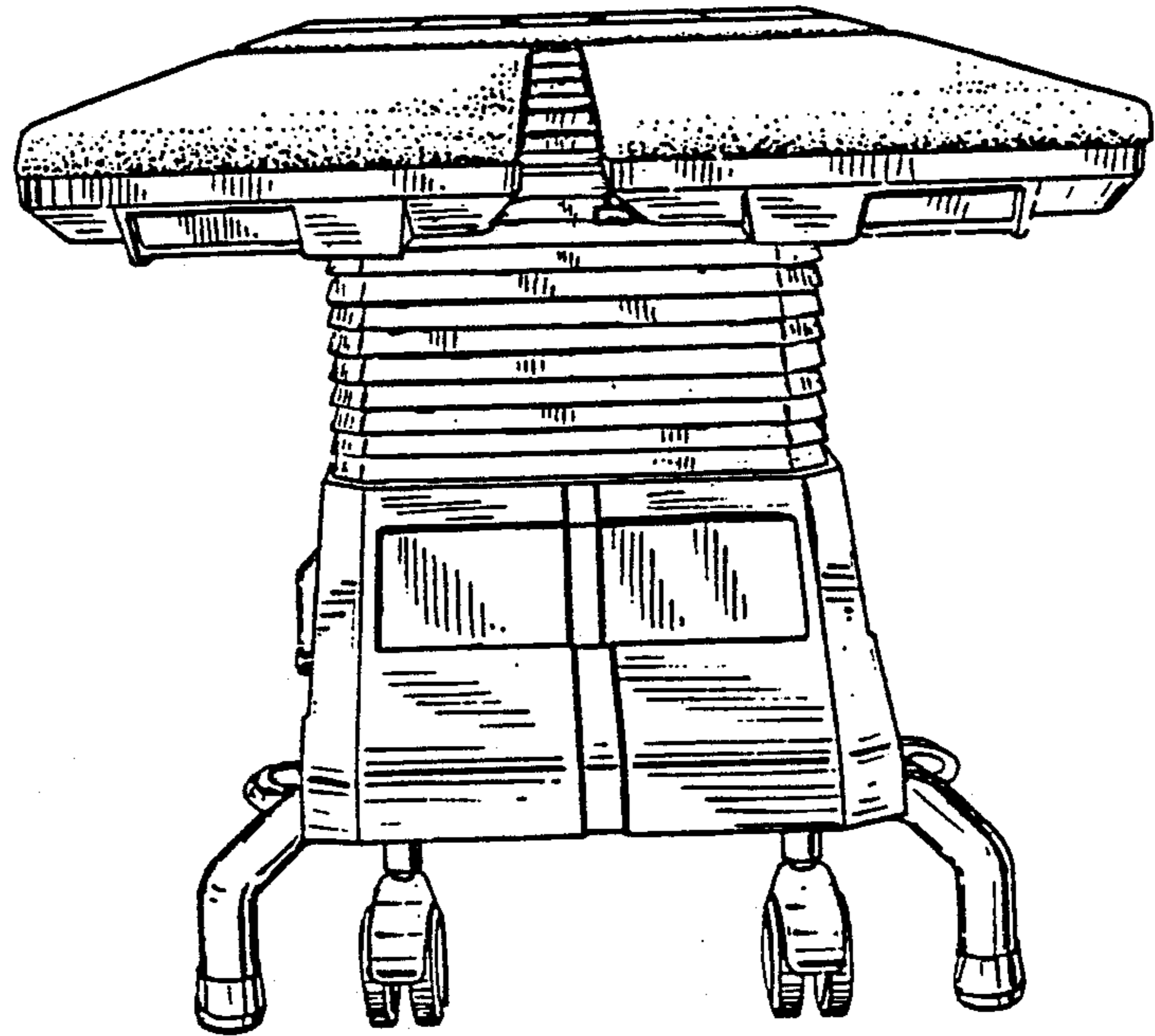


FIG. 3

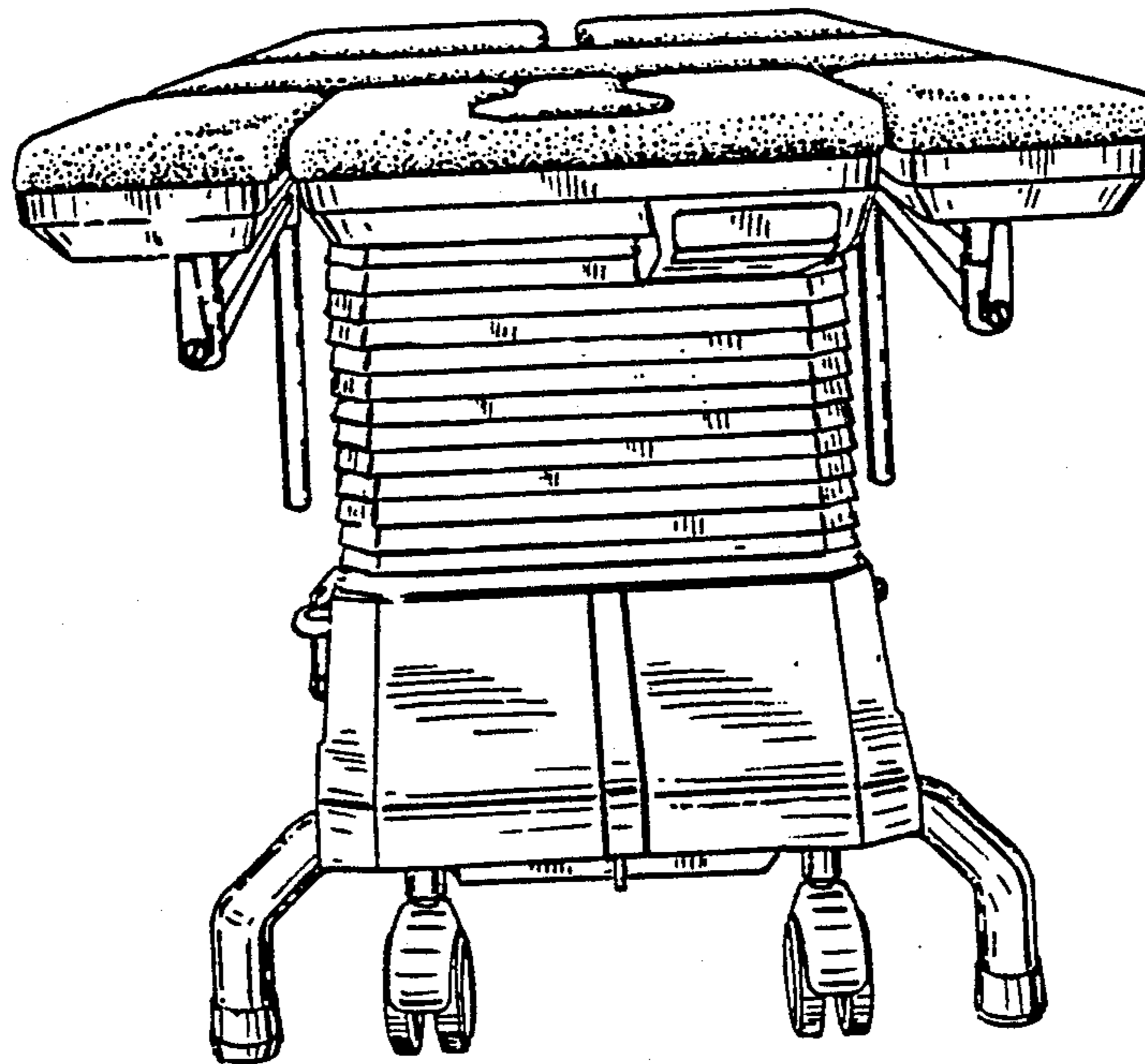


FIG. 4

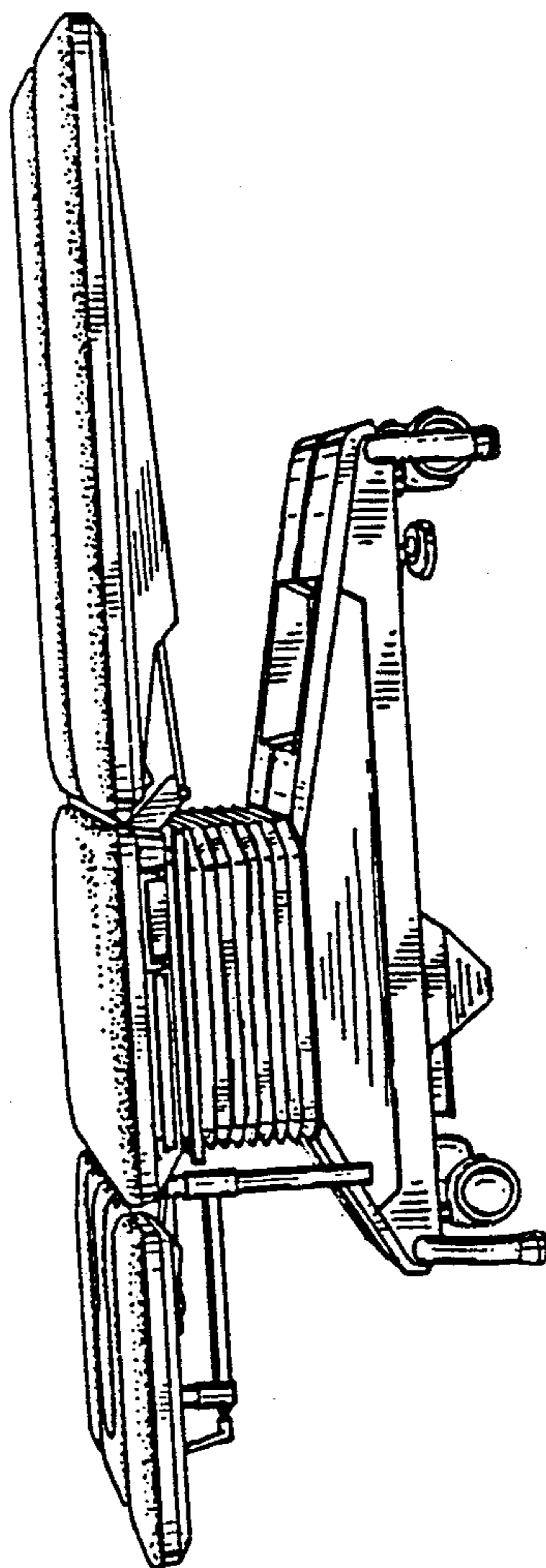


FIG. 5

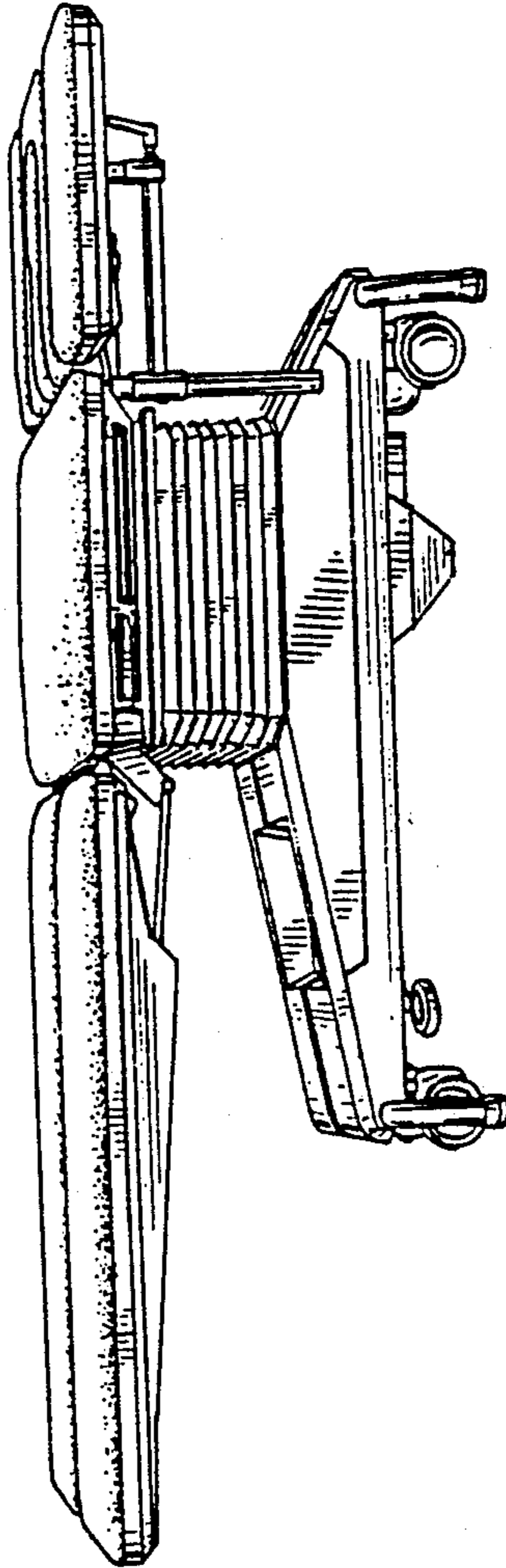


FIG. 6