

[54] FAUCET WITH A ROTATABLE LEVER FOR A WASH BOWL

[75] Inventor: Bethany Lathrop, Los Angeles, Calif.

[73] Assignee: Aloys F. Dornbracht GmbH & Co. KG, Muhle, Fed. Rep. of Germany

[**] Term: 14 Years

[21] Appl. No.: 823,372

[22] Filed: Jan. 28, 1986

[30] Foreign Application Priority Data

Jul. 29, 1985 [FR] France 85 3654
 [52] U.S. Cl. D23/238
 [58] Field of Search D23/238-243,
 D23/255-257; 4/191-192; 137/603, 606, 801

[56] References Cited

U.S. PATENT DOCUMENTS

D. 193,885	10/1962	Andrews	D23/238
D. 253,607	12/1979	Haug	D23/238
D. 281,096	10/1985	Arnold et al.	D23/238
D. 291,232	8/1987	Haug et al.	D23/238
D. 291,234	8/1987	Bergmann et al.	D23/238
D. 291,590	8/1987	Bengtsson	D23/238
D. 294,631	3/1988	Bourbon	D23/241
3,726,318	4/1973	Hyde	137/801 X

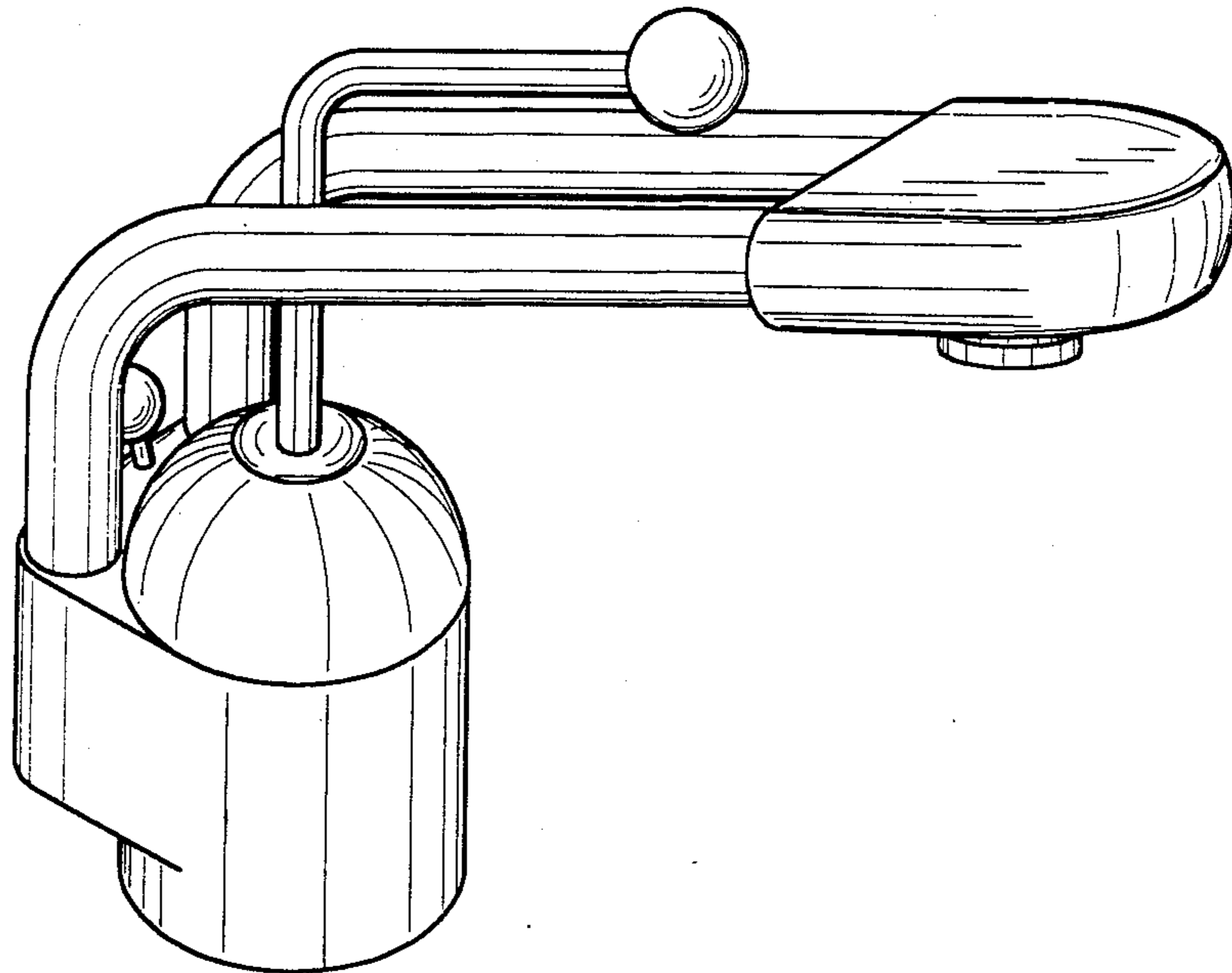
Primary Examiner—James R. Largen
Attorney, Agent, or Firm—Tarolli, Sundheim & Covell

[57] CLAIM

The ornamental design for a faucet with a rotatable lever for a wash bowl, as shown and described.

DESCRIPTION

FIG. 1 is a perspective view of a faucet showing my new design;
 FIG. 2 is a left side elevational view thereof, the right side being a mirror image of the left side shown;
 FIG. 3 is a front elevational view thereof; and
 FIG. 4 is a bottom plan view thereof.



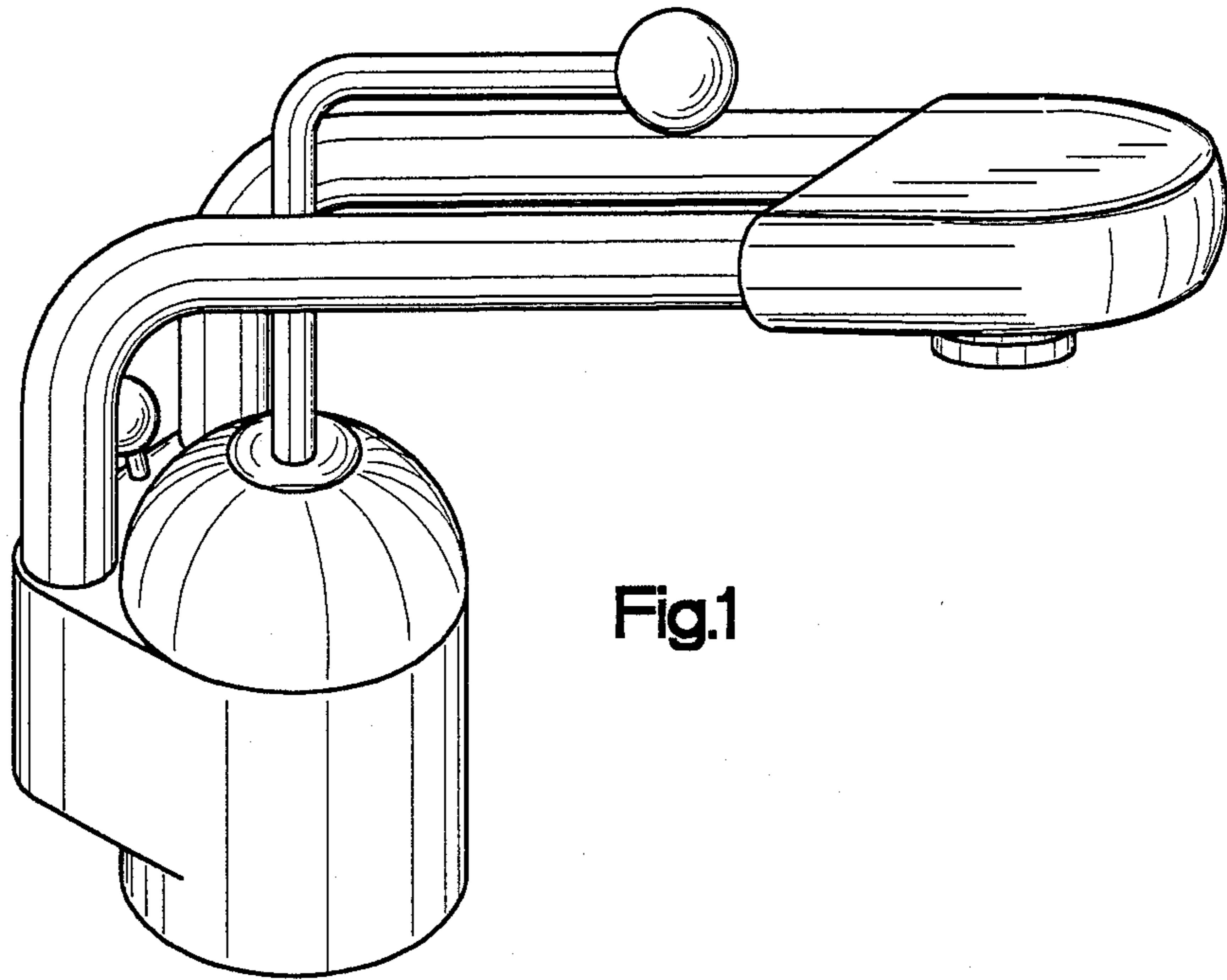


Fig.1

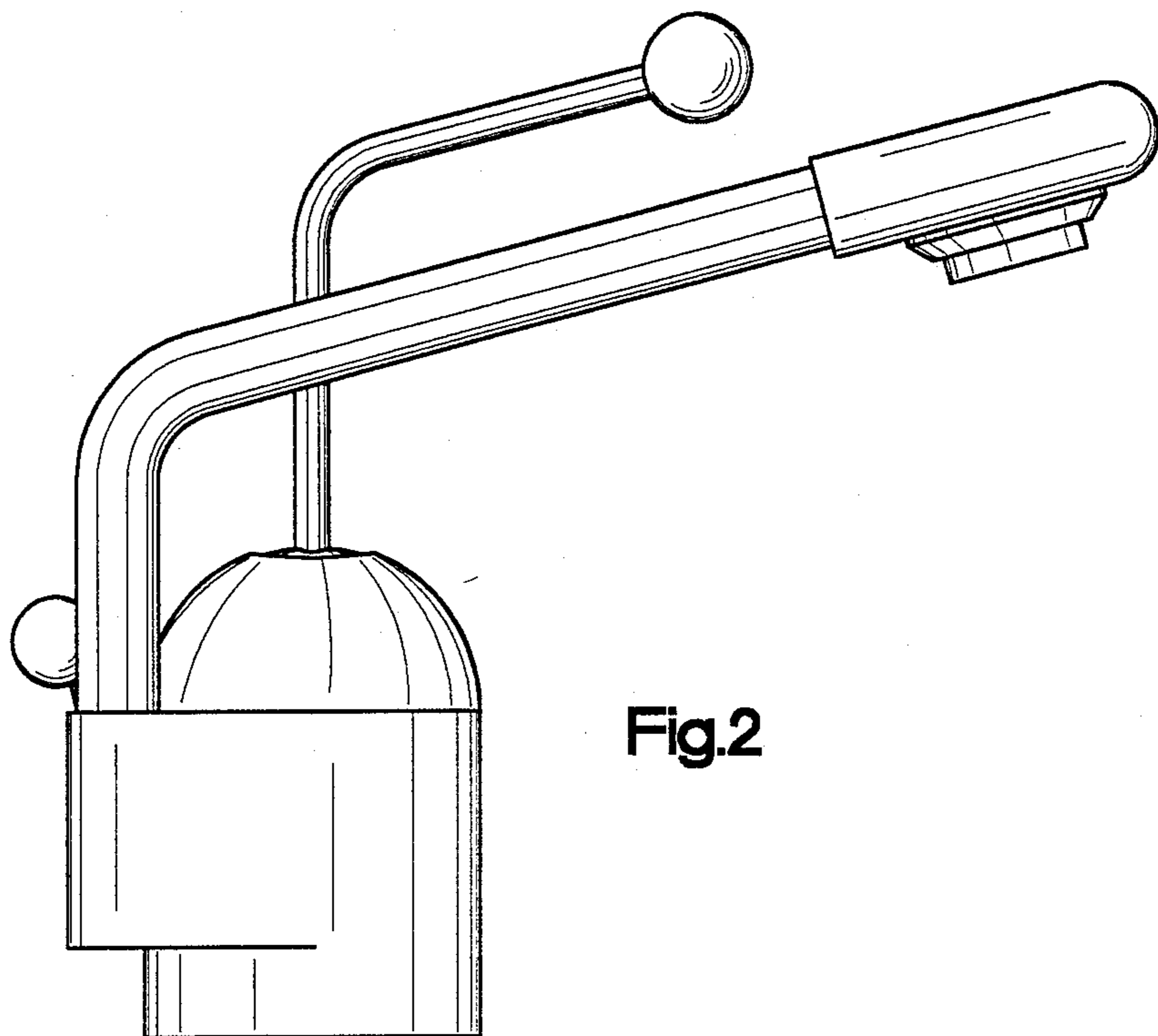


Fig.2

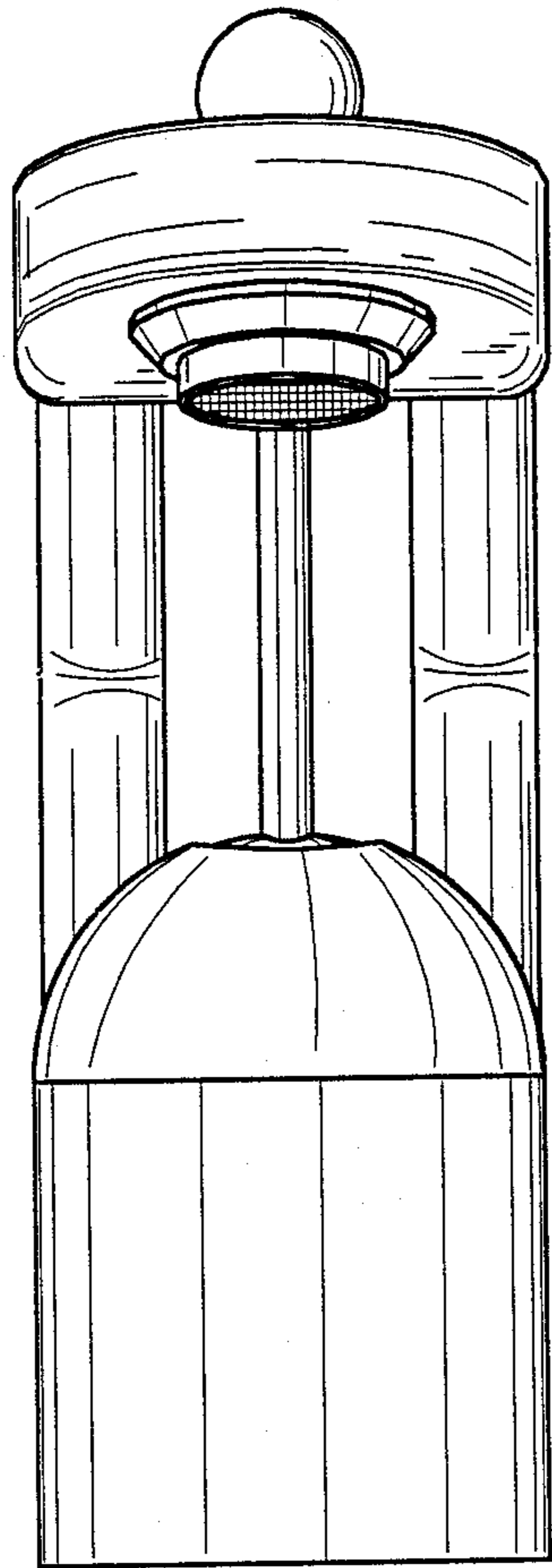


Fig.3

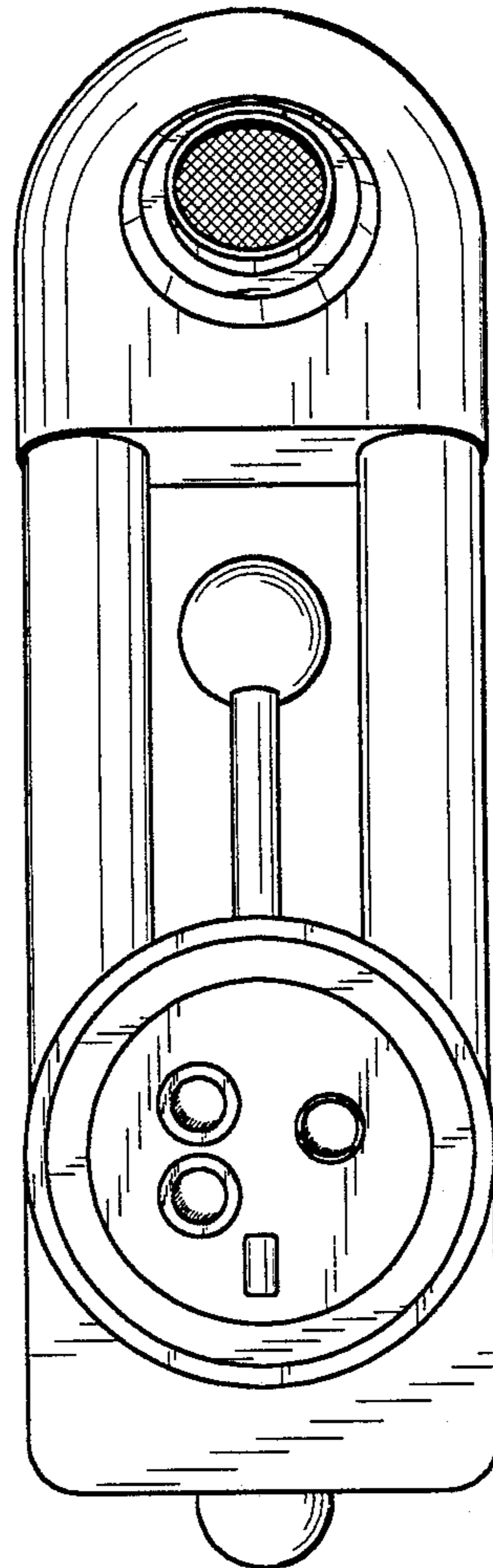


Fig.4