

[54] MULTI-LEVEL SHEET FEEDER

[75] Inventor: Tsutomu Takano, Aichi, Japan

[73] Assignee: Minolta Camera Kabushiki Kaisha, Japan

[**] Term: 14 Years

[21] Appl. No.: 875,362

[22] Filed: Jun. 16, 1986

[30] Foreign Application Priority Data

Dec. 18, 1985 [JP] Japan 60-52657

[52] U.S. Cl. D18/42

[58] Field of Search D18/13, 22, 36-44; 271/8.1-10; 355/200, 308, 309, 322, 323; 358/300; 400/595, 624-629

[56] References Cited

U.S. PATENT DOCUMENTS

- D. 227,034 5/1973 Derby D18/42
- D. 251,912 5/1979 Nakade D18/37
- D. 261,272 10/1981 Lawrence D18/42
- D. 295,531 5/1988 Akiyama D18/42
- 4,569,586 2/1986 Koyama 271/9

FOREIGN PATENT DOCUMENTS

- 0152725 9/1983 Japan 271/8.1
- 0136441 6/1987 Japan 271/9

OTHER PUBLICATIONS

The Office, Oct. 1983, p. 197.

Primary Examiner—Nelson C. Holtje

Assistant Examiner—Caron D. Veynar

Attorney, Agent, or Firm—Wolder, Gross & Yavner

[57] CLAIM

The ornamental design for a multi-level sheet feeder, as shown.

DESCRIPTION

FIG. 1 is a front elevational view of a multi-level sheet feeder showing my new design;
 FIG. 2 is a top plan view thereof;
 FIG. 3 is a left-side elevational view thereof;
 FIG. 4 is a right-side elevational view thereof;
 FIG. 5 is a rear elevational view thereof;
 FIG. 6 is a bottom plan view thereof;
 FIG. 7 is a top, front, perspective view thereof, the broken lines showing a copier being environmental only and forming no part of the claimed design;
 FIG. 8 is a top, front, perspective view showing a second embodiment of my design of FIGS. 1-7;
 FIG. 9 is a top plan view of the second embodiment.

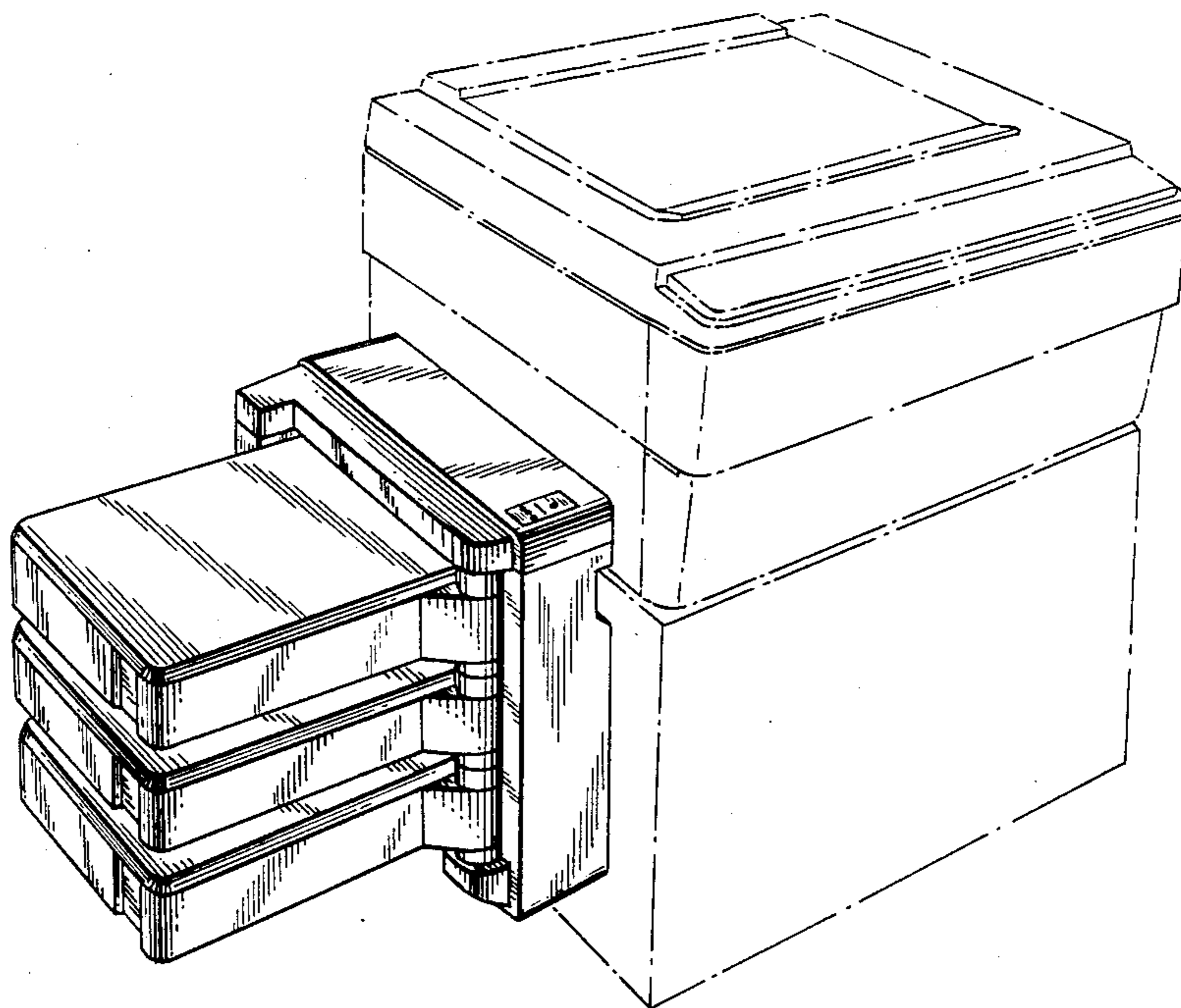


FIG. 1

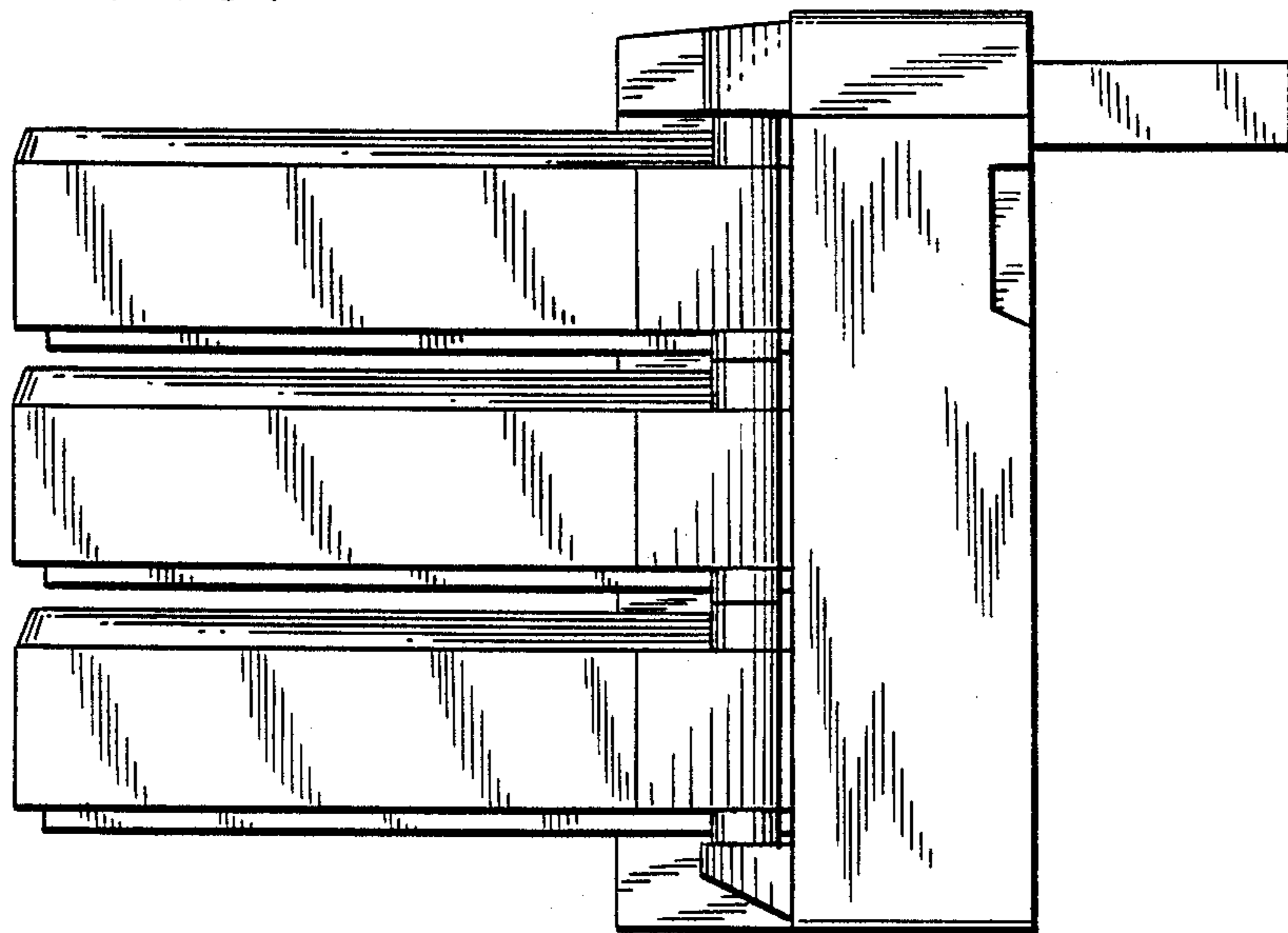


FIG. 2

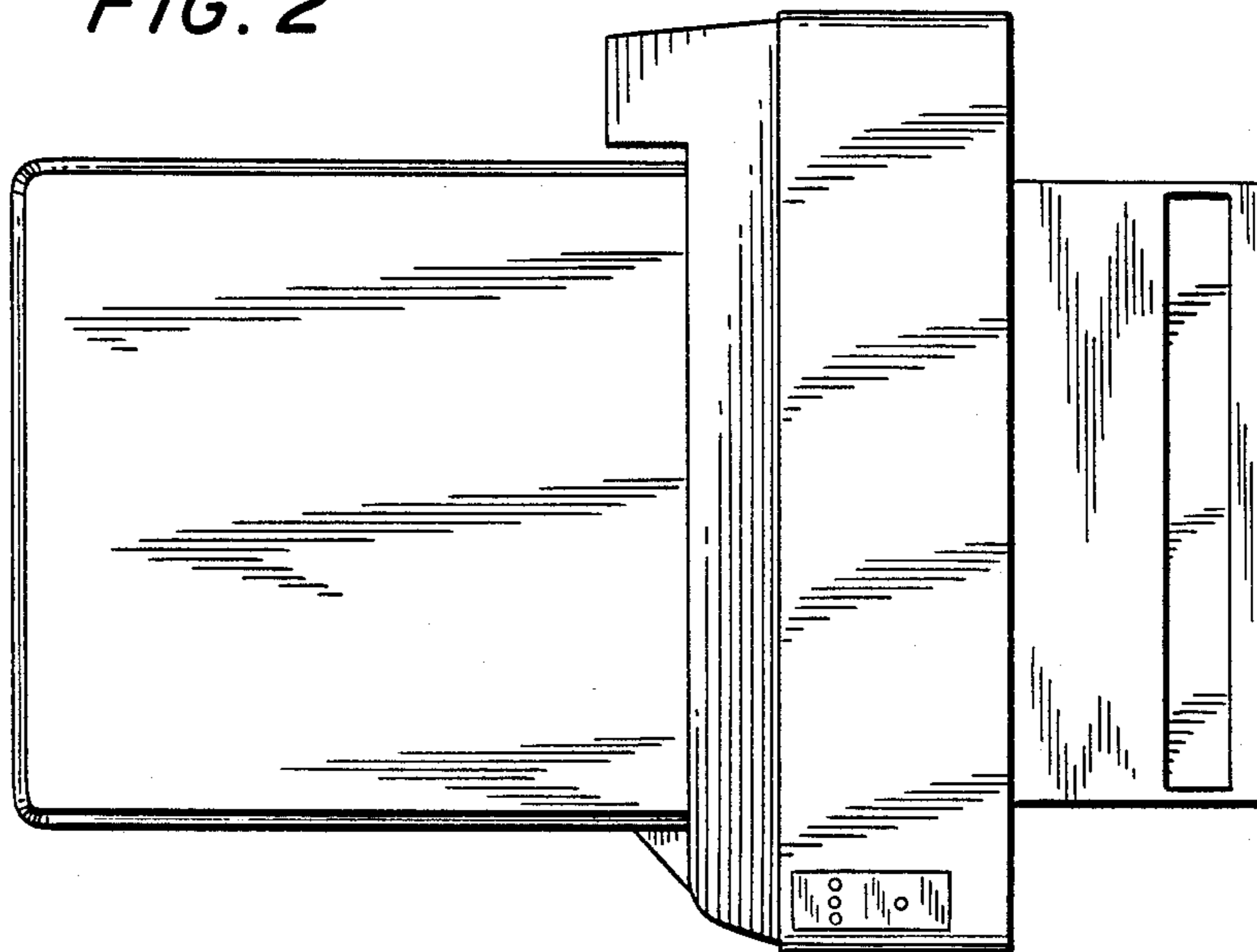


FIG. 3

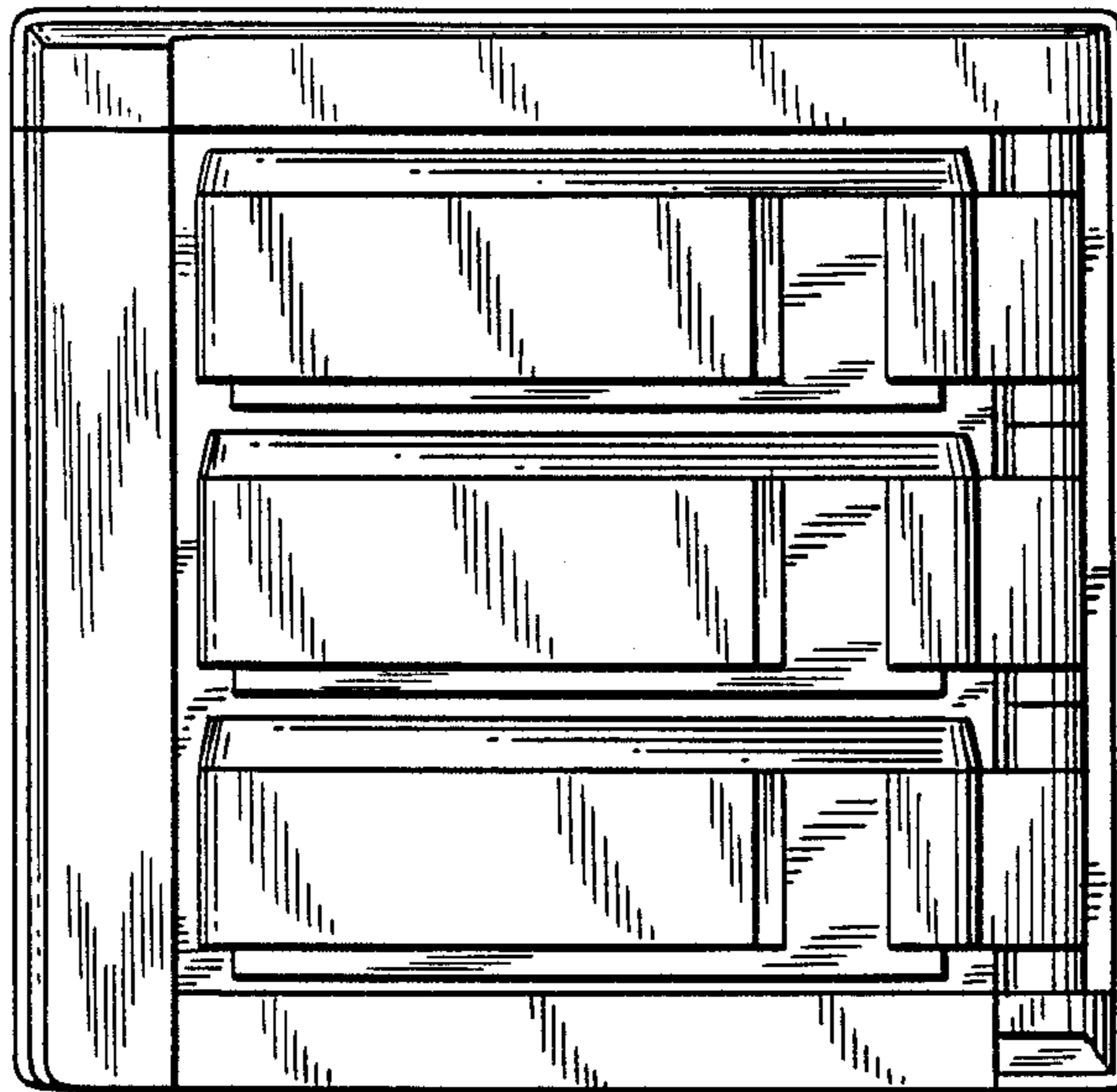


FIG. 4

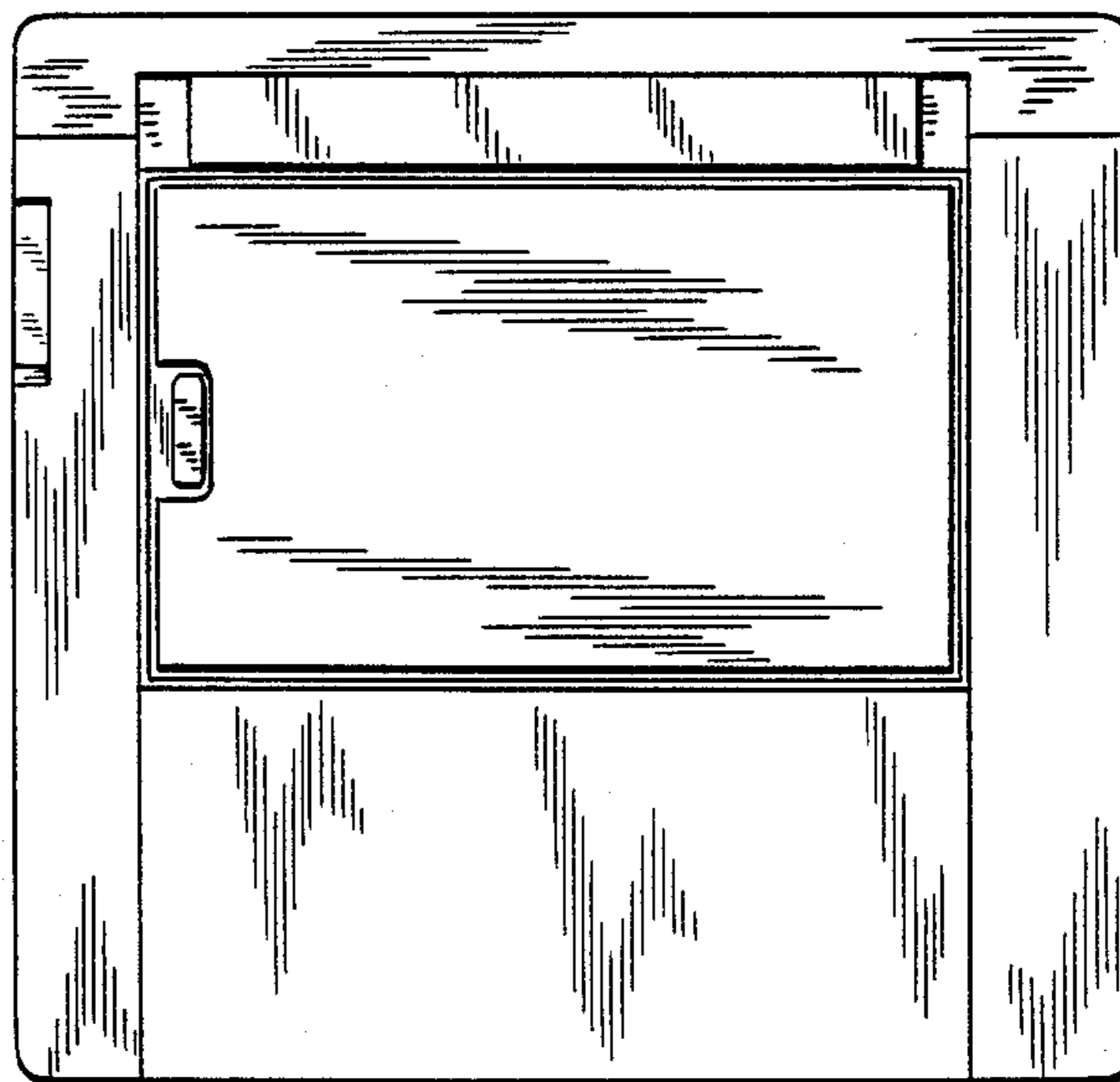


FIG. 5

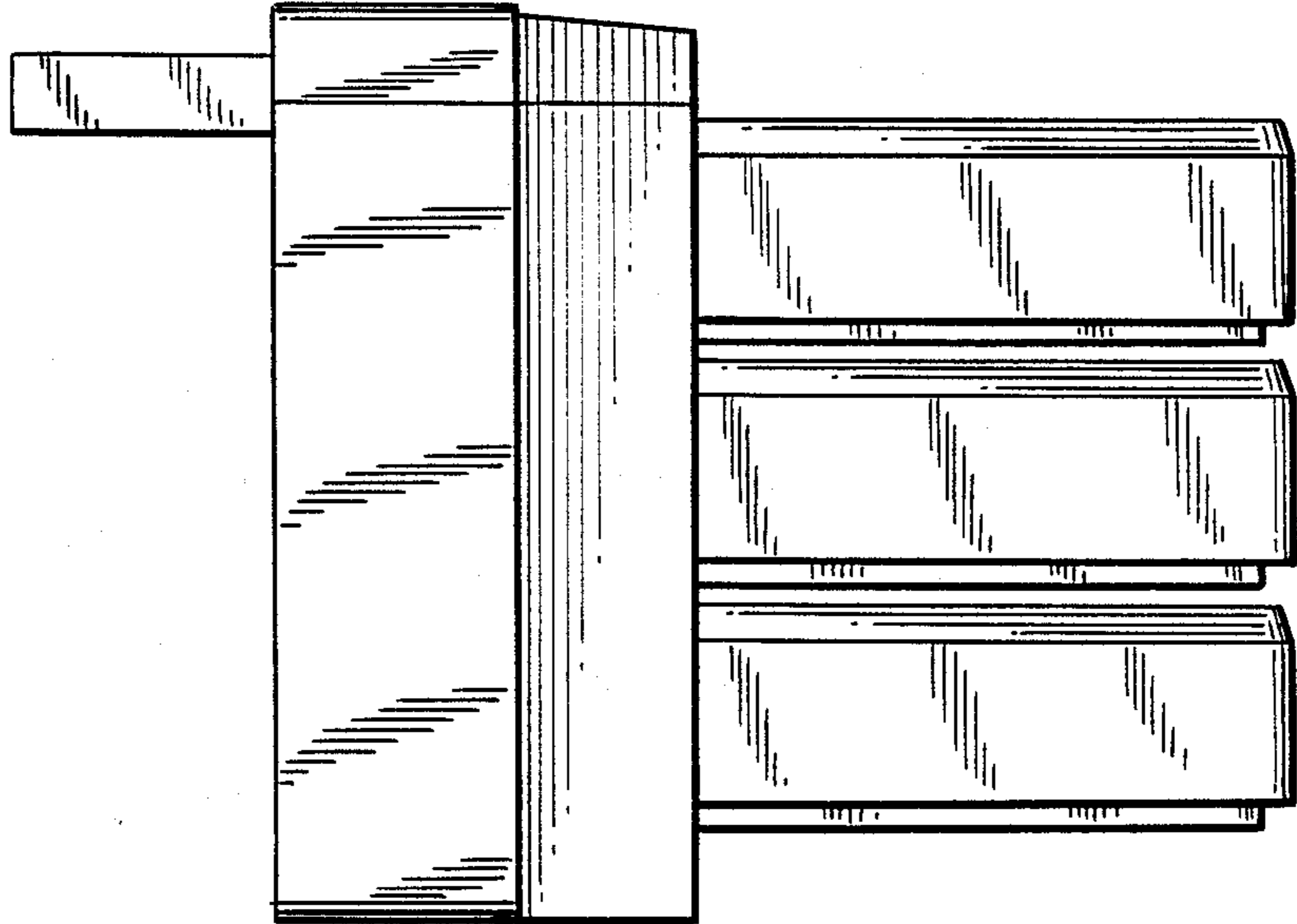
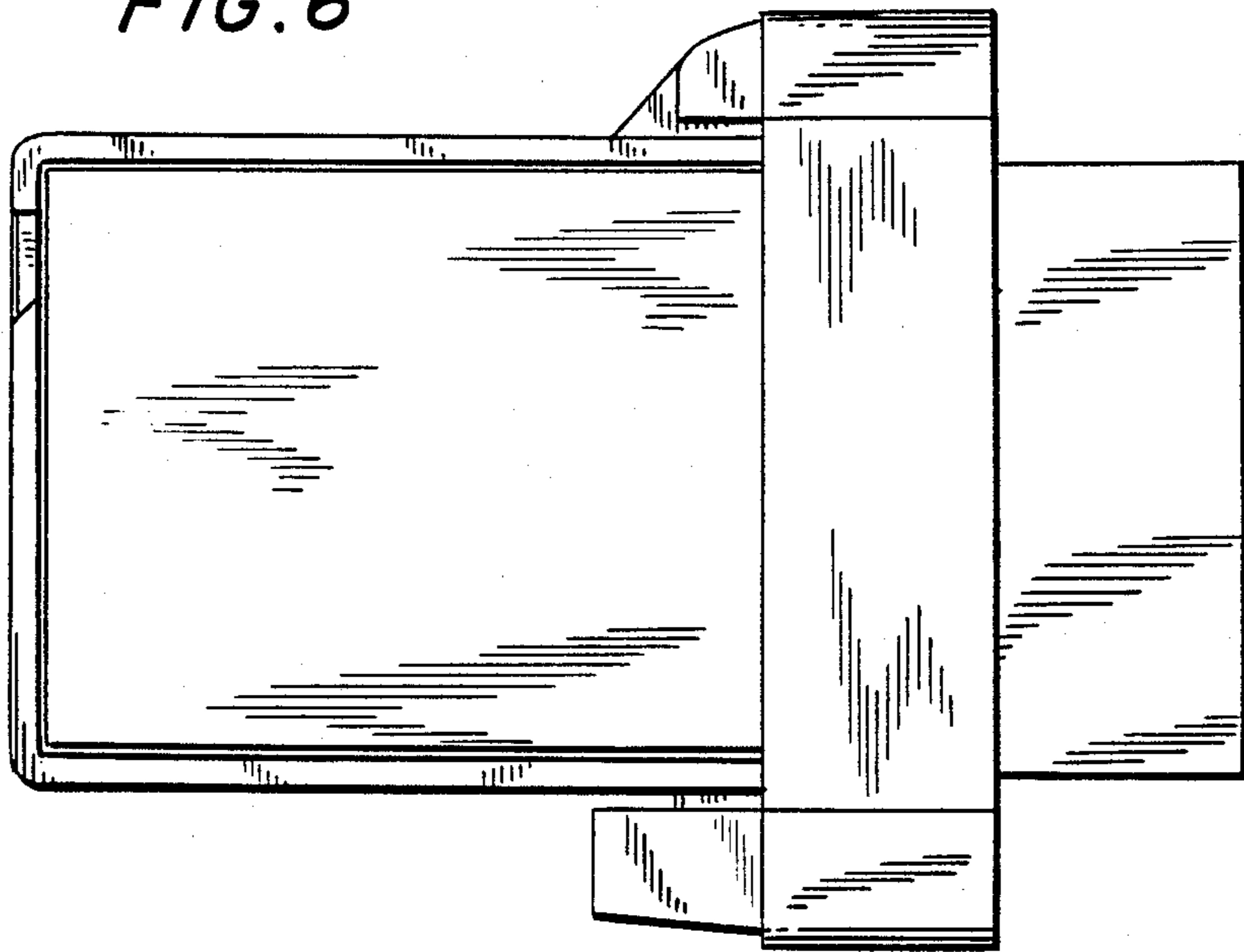


FIG. 6



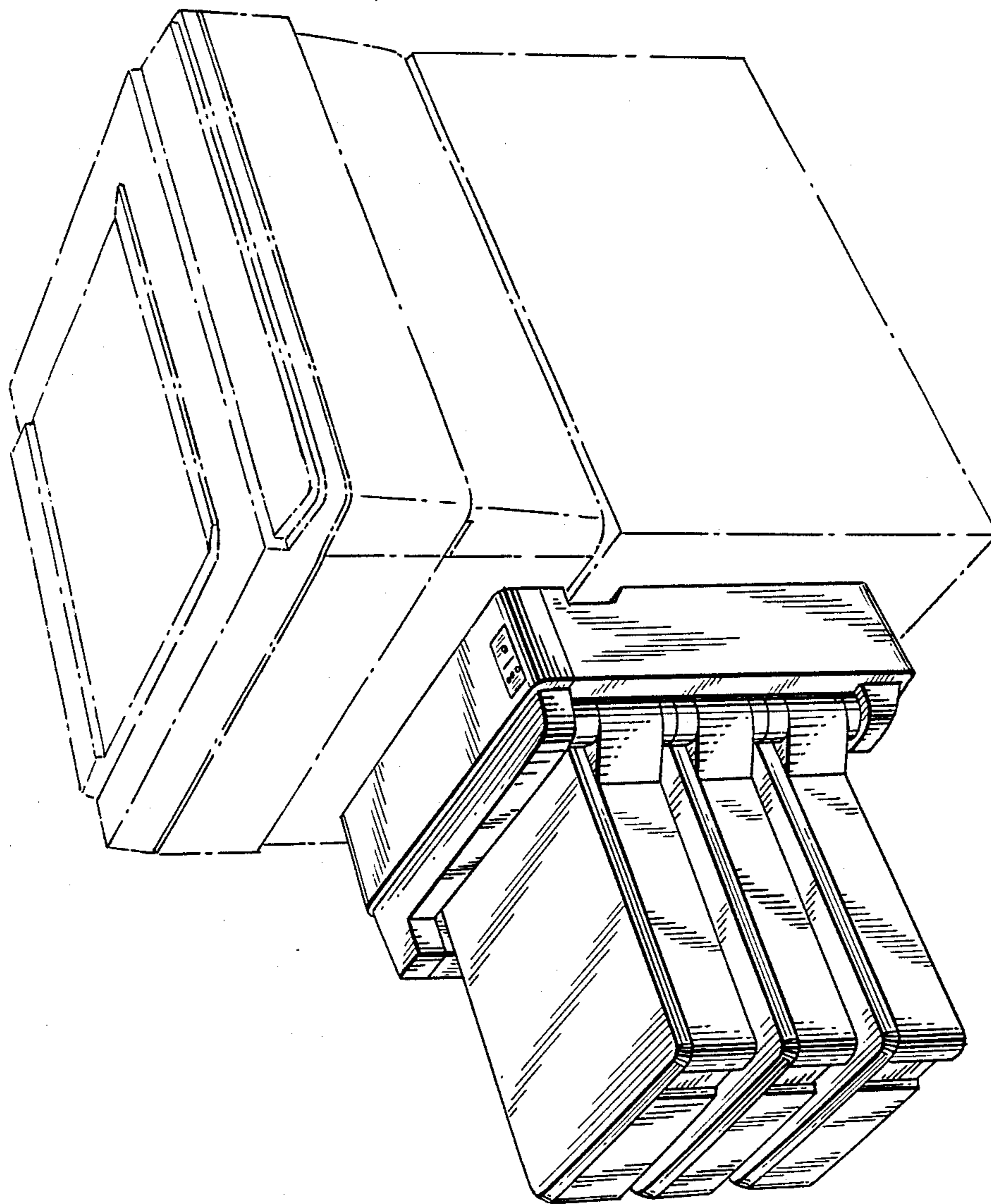


FIG. 7

FIG. 8

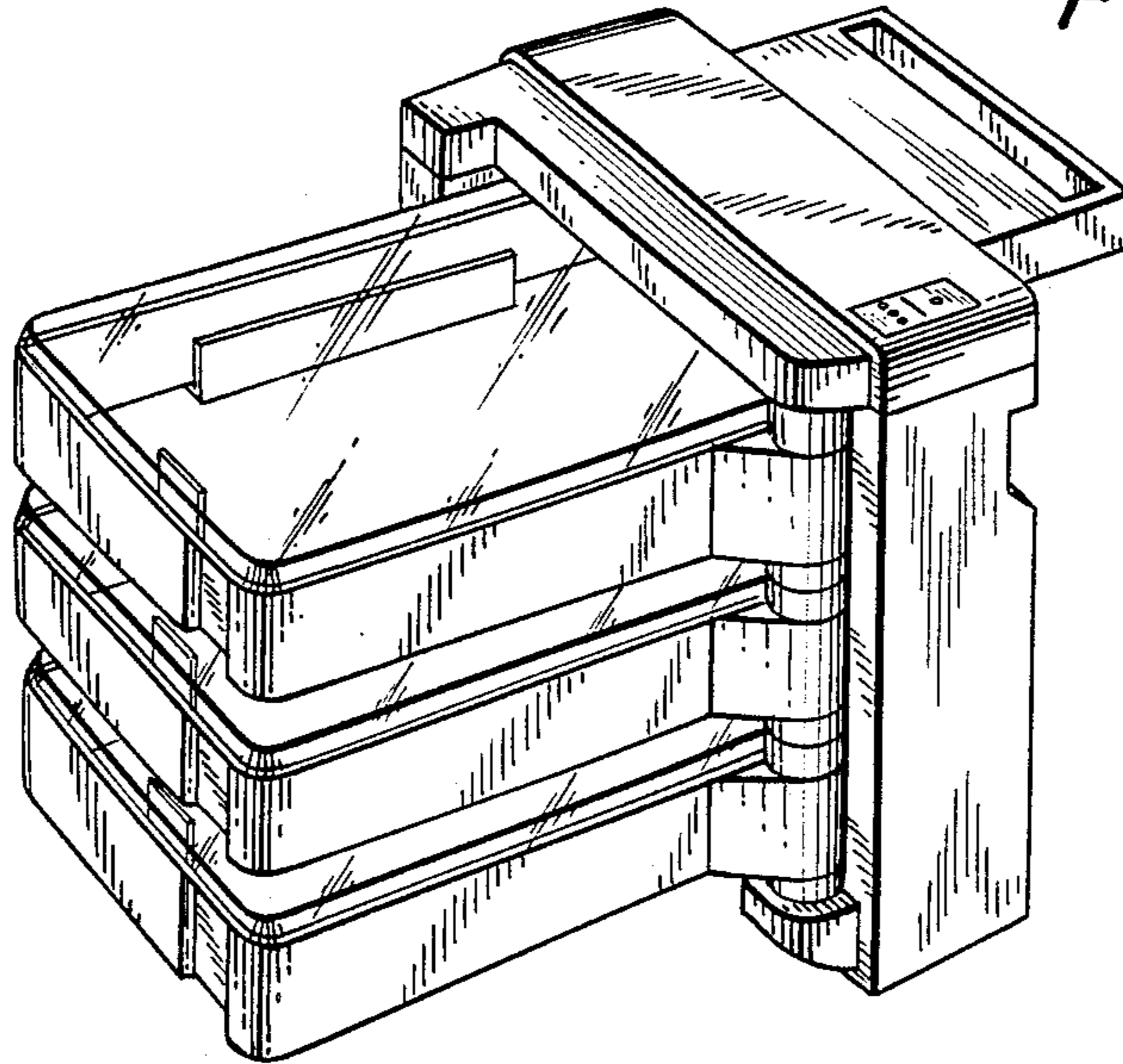


FIG. 9

