

[54] **MOTOR DRIVEN IMPRINTER**

[75] **Inventors: Mark Cunnane, Clontarf; Richard P. Delaney, Portmarnock, both of Ireland**

[73] **Assignee: Security Imprinter Corporation, Walkersville, Md.**

[**] **Term: 14 Years**

[21] **Appl. No.: 911,084**

[22] **Filed: Sep. 23, 1986**

[30] **Foreign Application Priority Data**

May 30, 1986 [IE] Ireland 165/86
[52] **U.S. Cl. D18/14**
[58] **Field of Search D18/13-15, D18/21; 101/18, 28, 45, 56, 252, 269, 270**

[56] **References Cited**

U.S. PATENT DOCUMENTS

D. 292,005 9/1987 McQuarrie D18/14
3,173,362 3/1965 Hu 101/56
3,416,441 12/1968 Maul et al. 101/56

3,420,171 1/1969 Maul et al. 101/269
3,623,426 11/1971 Gruss 101/45
4,408,523 10/1983 Senyitko 101/56
4,437,404 3/1984 Barbour 101/269

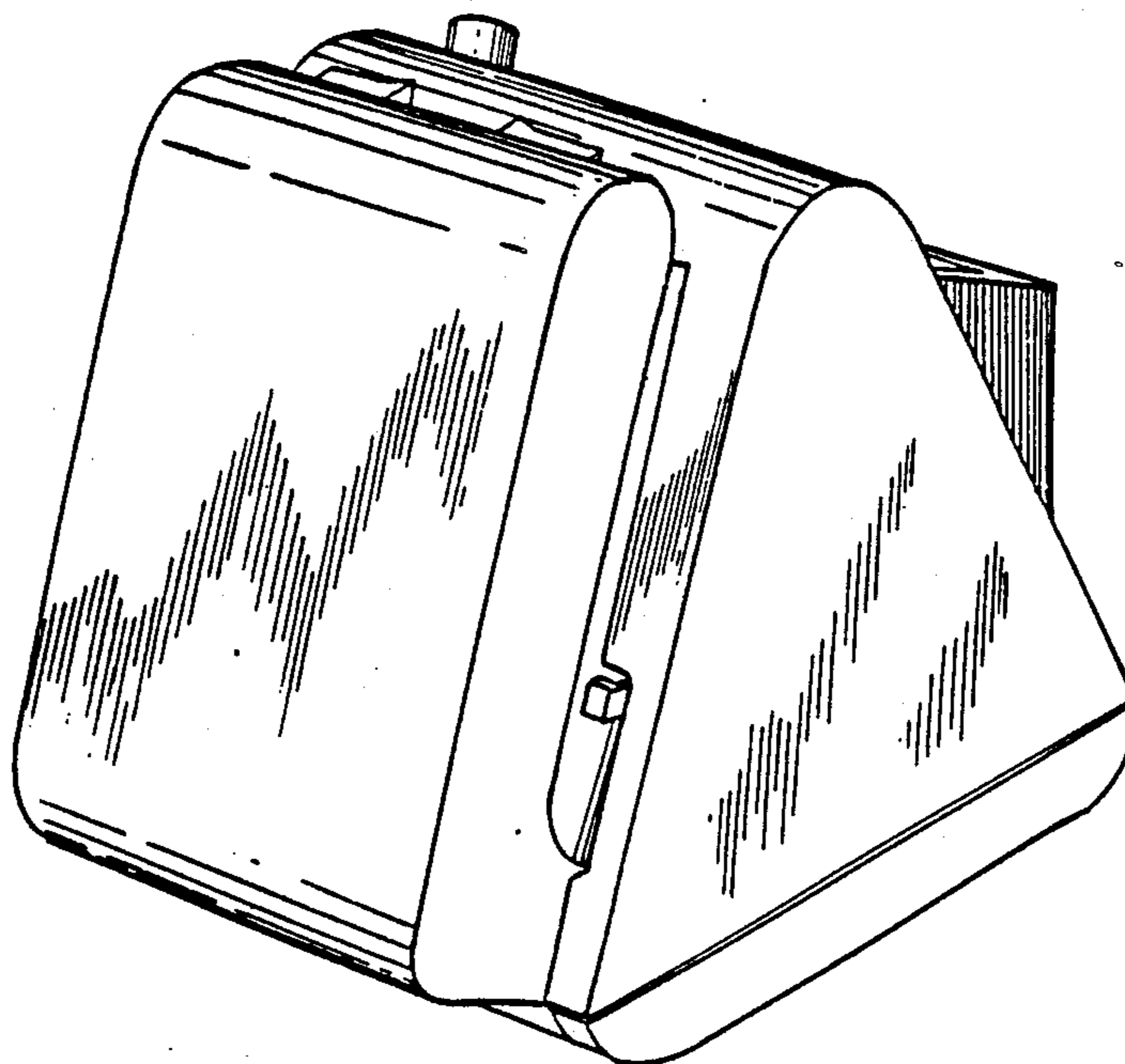
Primary Examiner—Nelson C. Holtje
Assistant Examiner—Caron D. Veynar
Attorney, Agent, or Firm—Mason, Fenwick & Lawrence

[57] **CLAIM**

The ornamental design for a motor driven imprinter, as shown and described.

DESCRIPTION

FIG. 1 is a front perspective view of a motor driven imprinter showing our new design;
FIG. 2 is a front perspective view thereof, with the carrier door open;
FIG. 3 is a rear perspective view thereof;
FIG. 4 is a rear perspective view thereof, with the carrier door open;
FIG. 5 is a front elevational view thereof;
FIG. 6 is a right side elevational view thereof;
FIG. 7 is a left side elevational view thereof;
FIG. 8 is a bottom plan view thereof.



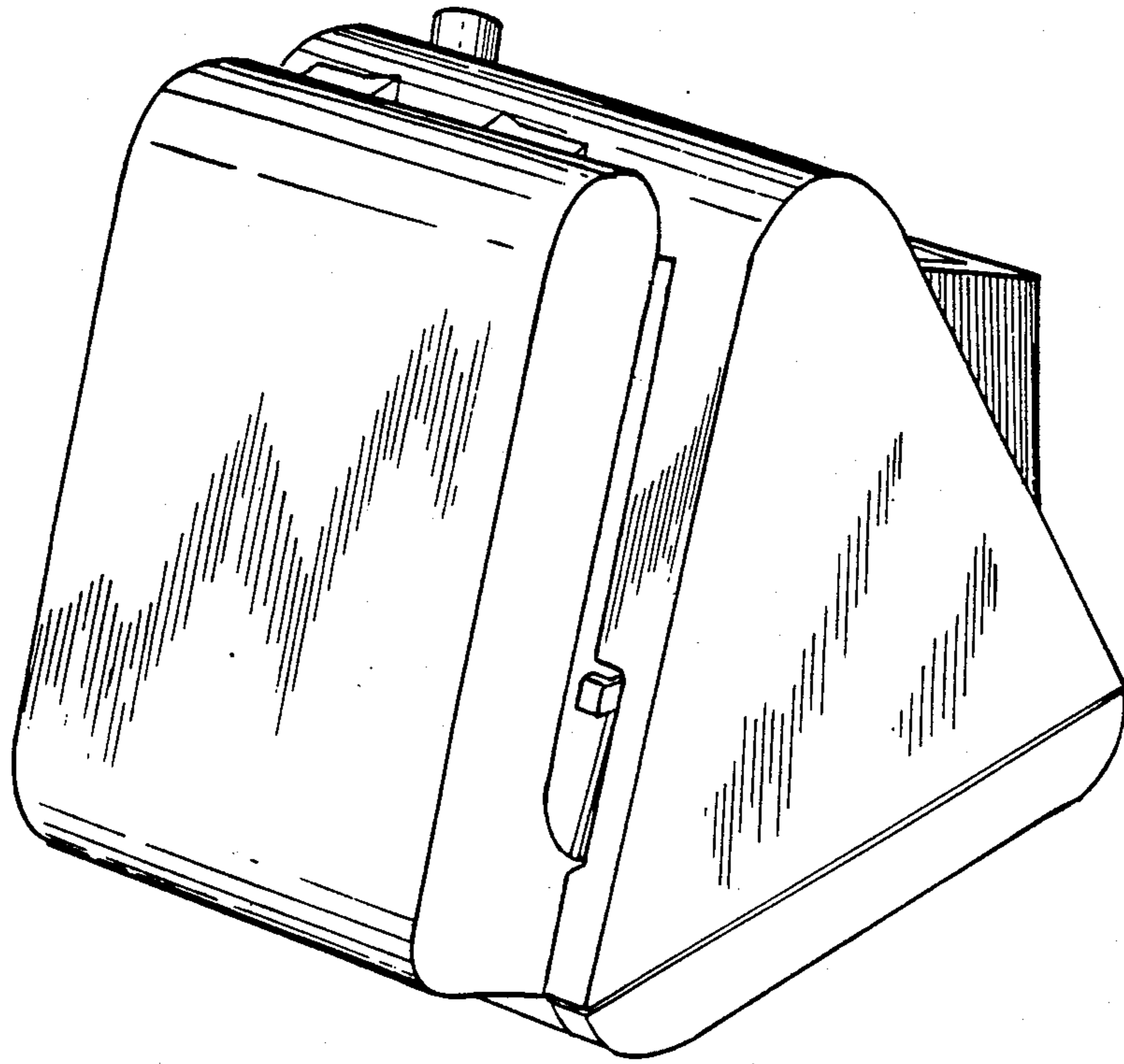


Fig. 1

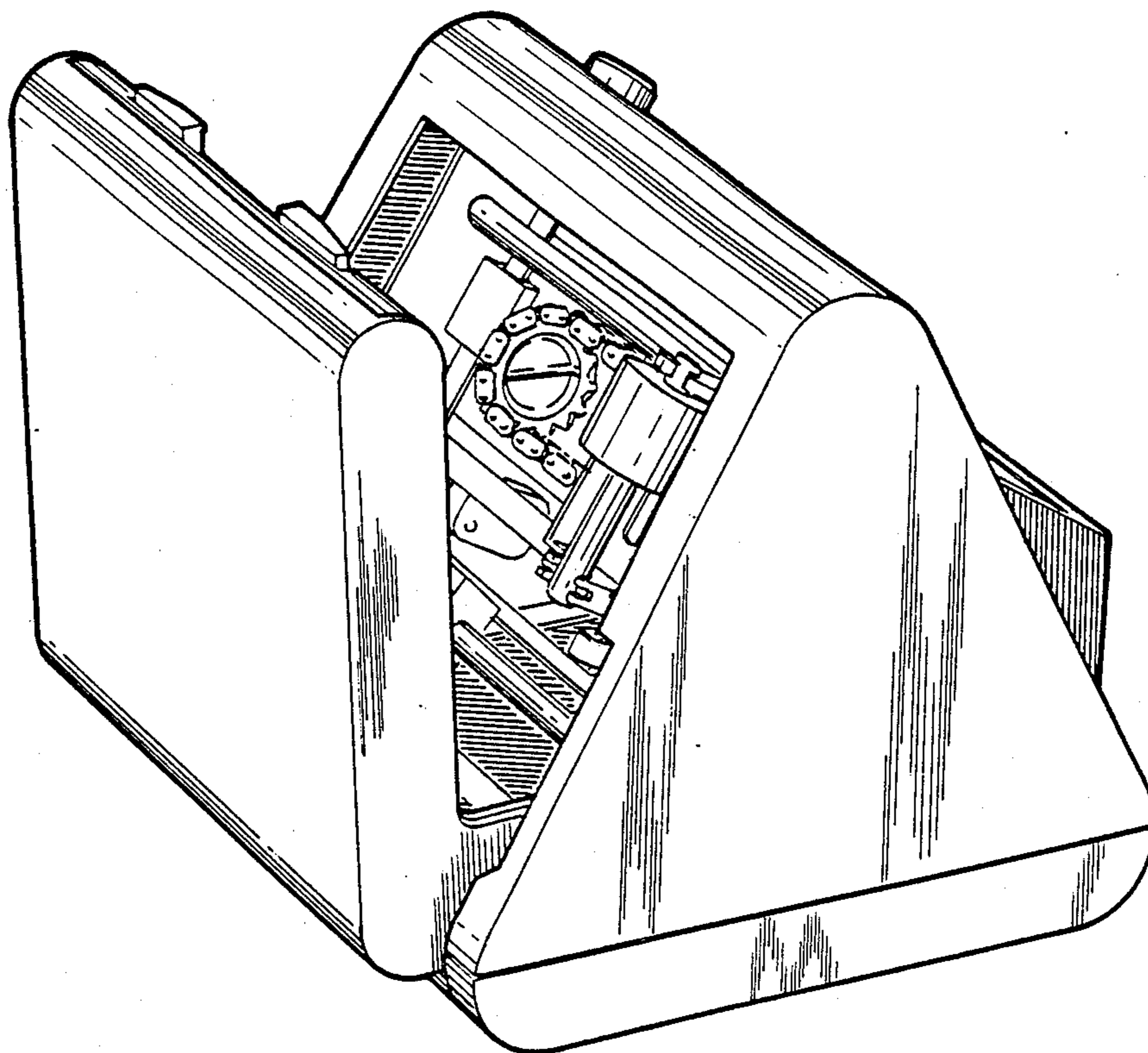


Fig. 2

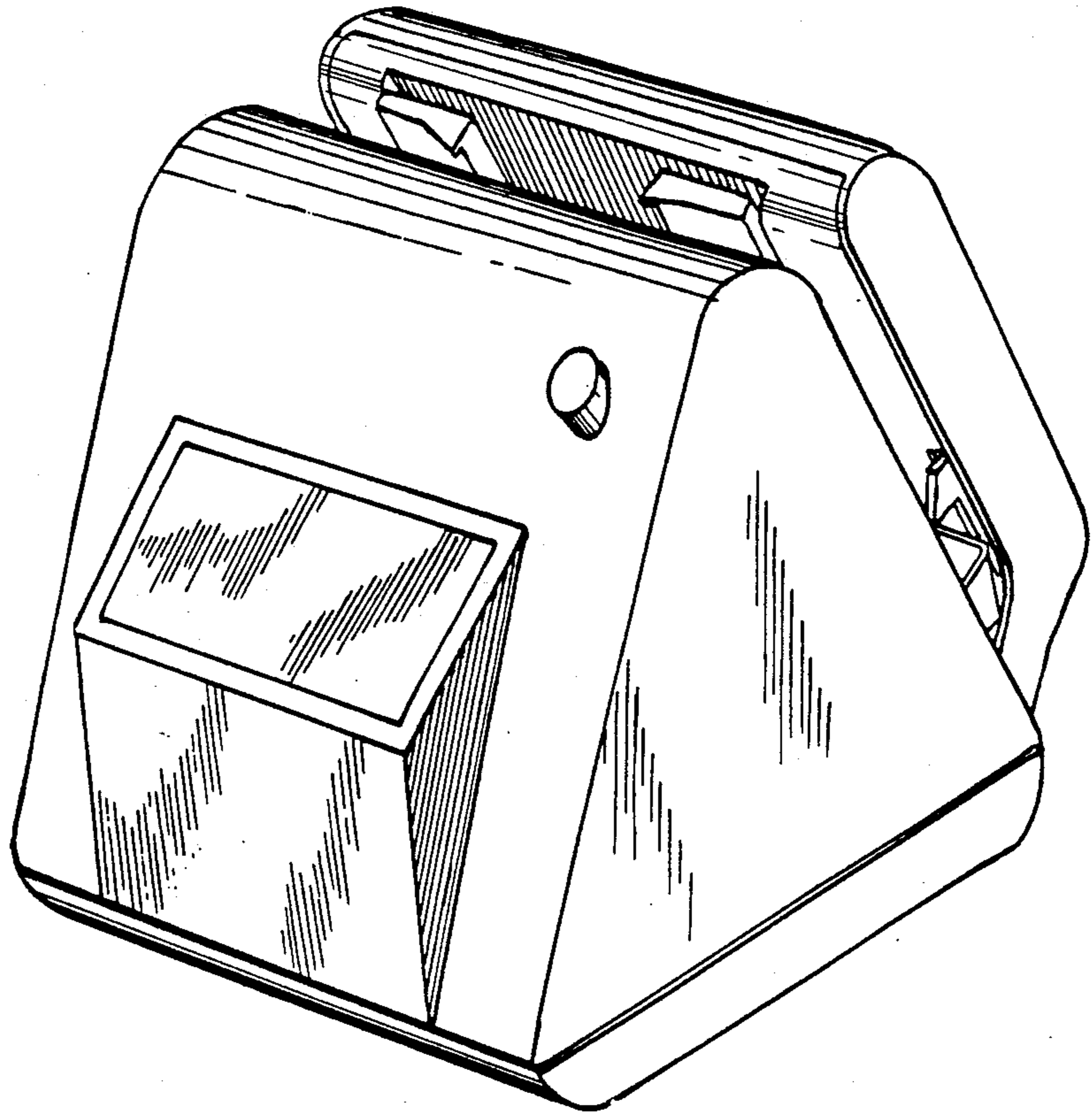


Fig. 3

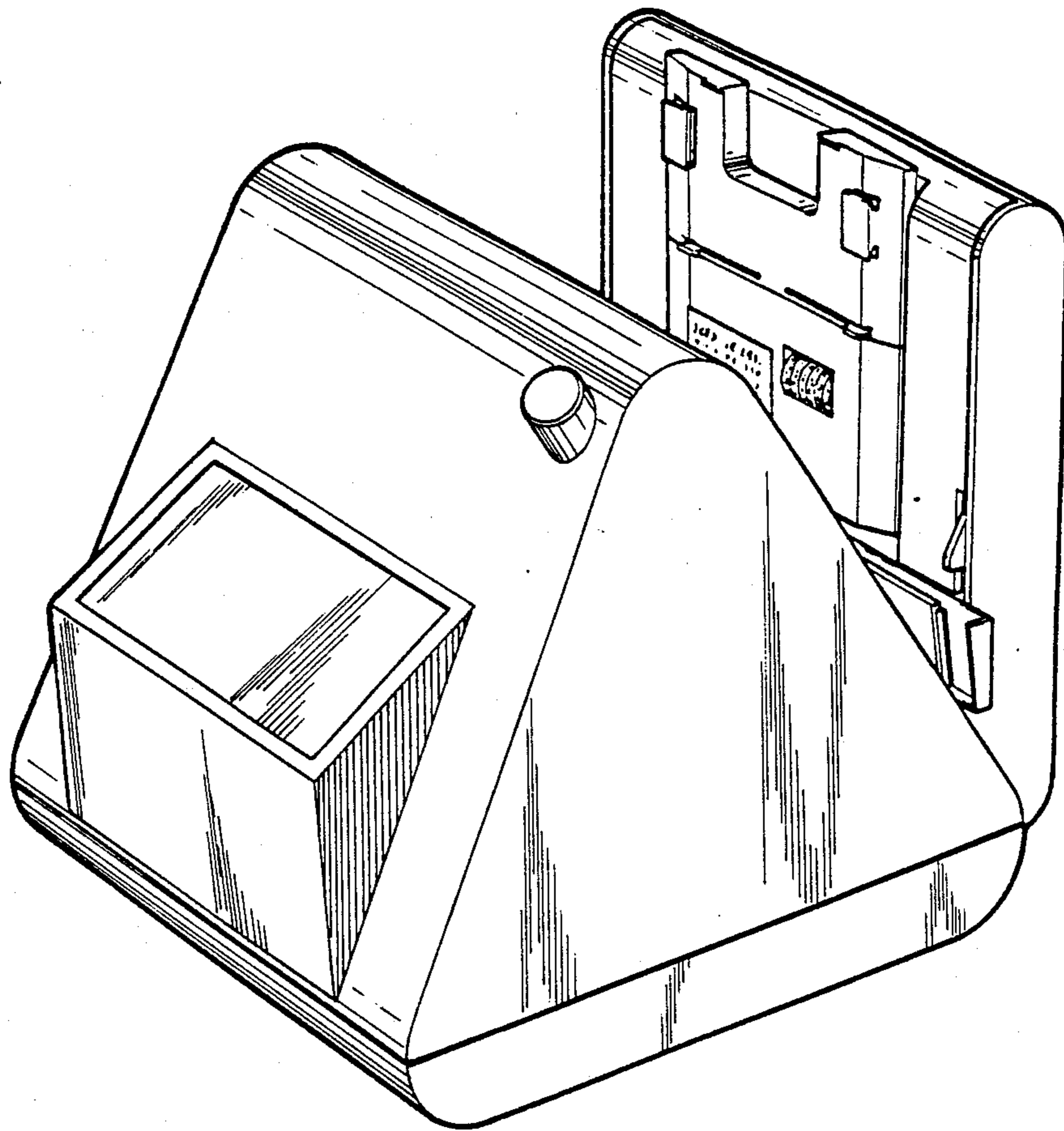
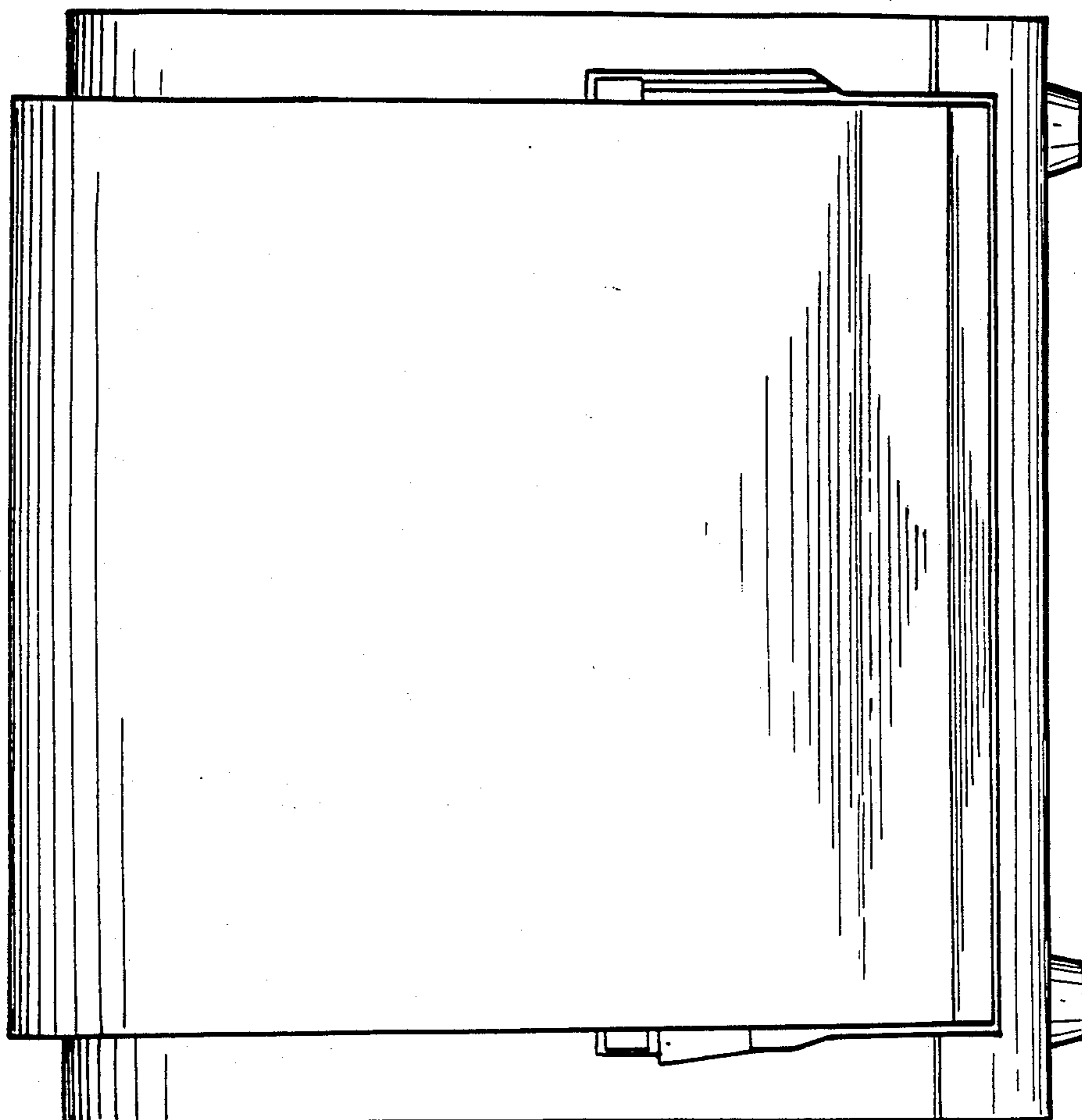


Fig. 4

Fig. 5



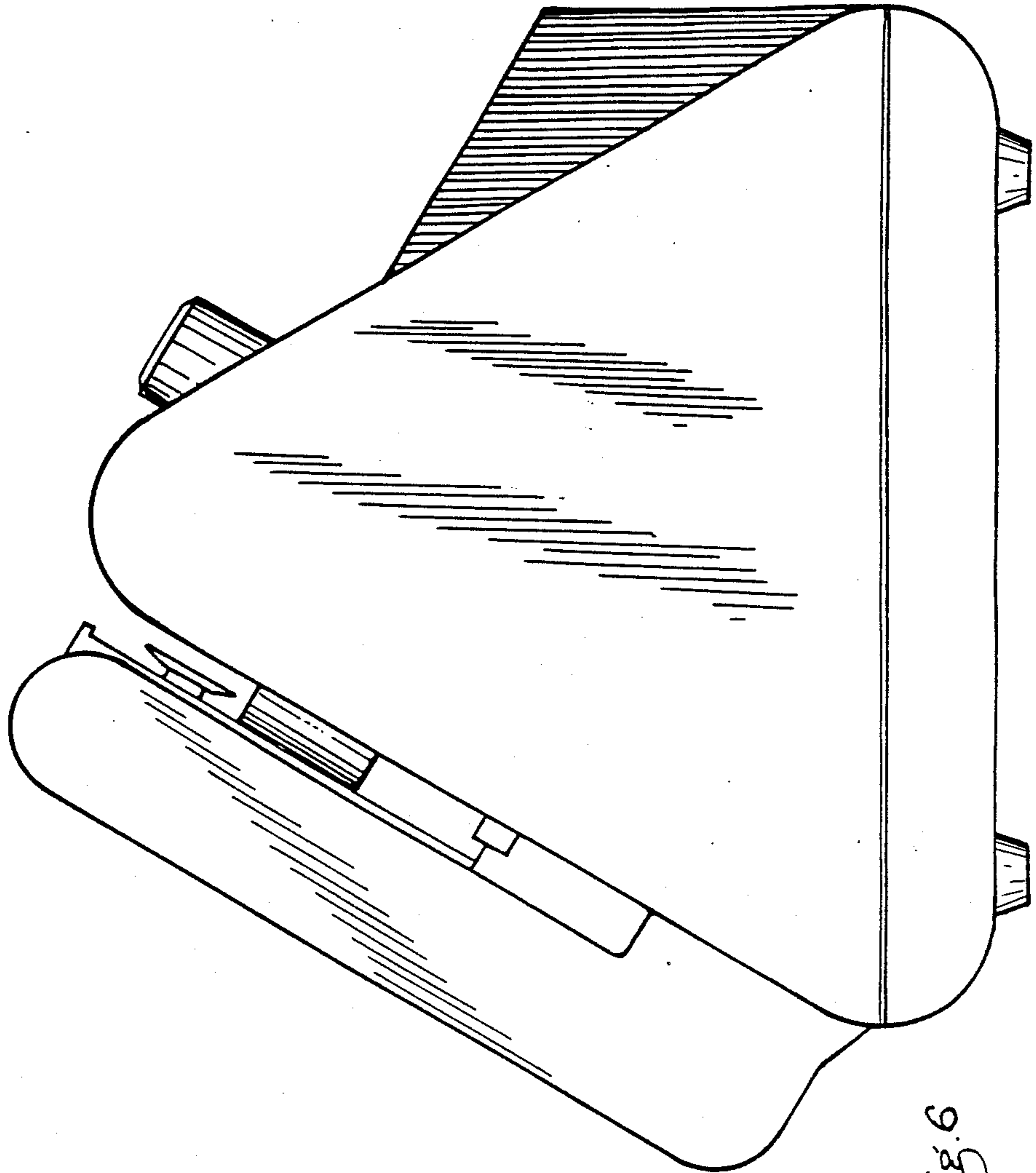


Fig. 6

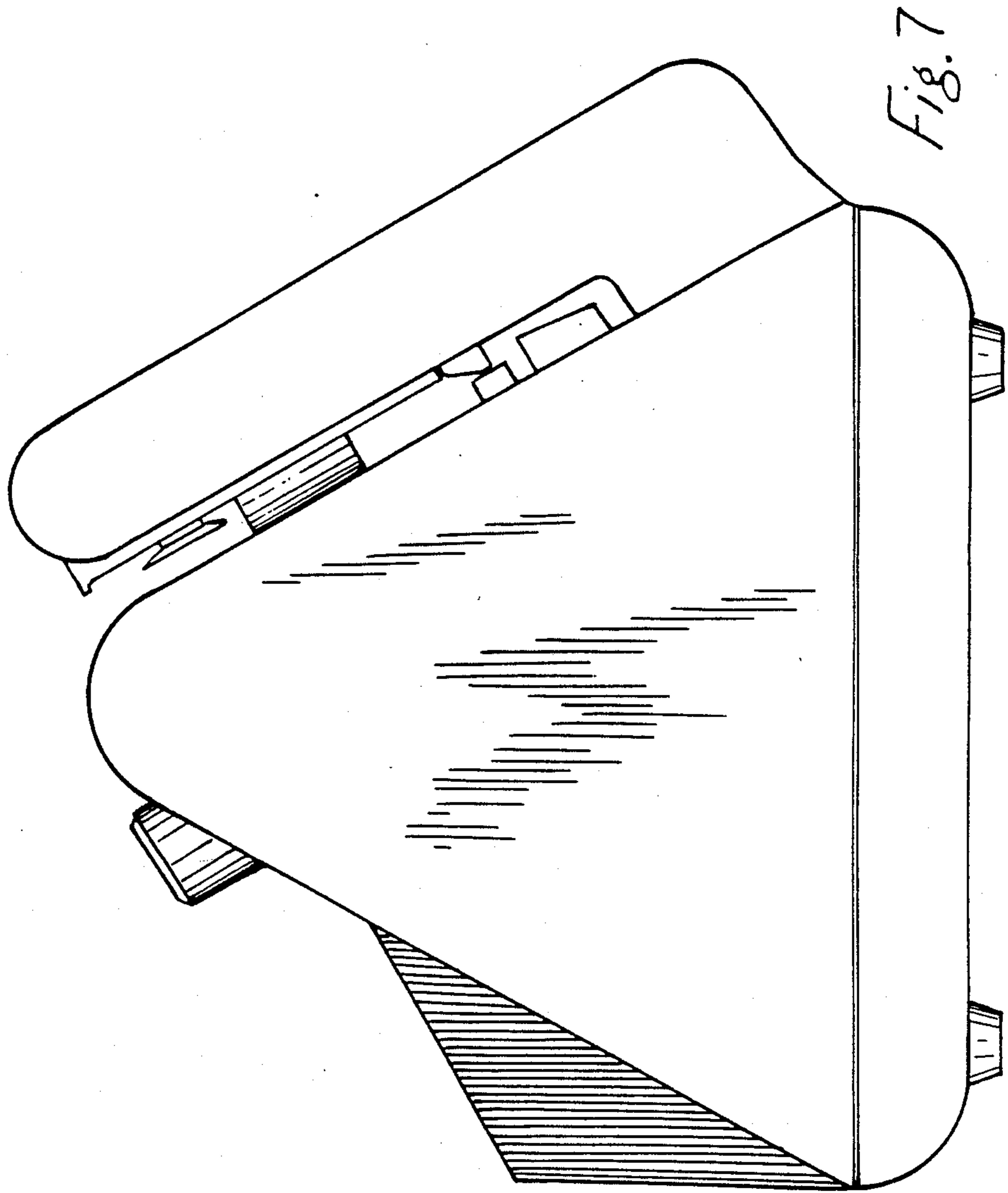


Fig. 8

