

[54] **THERMAL PRINTER OR THE LIKE**

[75] **Inventor: Jane A. Jokl, Boca Raton, Fla.**

[73] **Assignee: International Business Machines Corporation, Armonk, N.Y.**

[**] **Term: 14 Years**

[21] **Appl. No.: 819,951**

[22] **Filed: Jan. 16, 1986**

[52] **U.S. Cl. D18/13**

[58] **Field of Search D18/13, 22, 99;
D14/100-102, 111**

[56] **References Cited**

U.S. PATENT DOCUMENTS

- D. 236,835 9/1975 Kramer et al. D18/13
- D. 260,516 9/1981 Giannotti, Jr. et al. D14/111
- D. 280,508 9/1985 Nasui et al. D18/13 X
- D. 282,470 2/1986 Dayton D14/111
- D. 285,567 9/1986 Kenji et al. D14/111
- D. 285,807 9/1986 Otsuka D18/13
- D. 290,959 7/1987 Ooie D18/13

OTHER PUBLICATIONS

- PC Magazine, Jan. 14, 1986, p. 110.
- PC Magazine, Dec. 10, 1985, p. 313.
- Personal Computing, Aug. 1985, pp. 176 and 177.

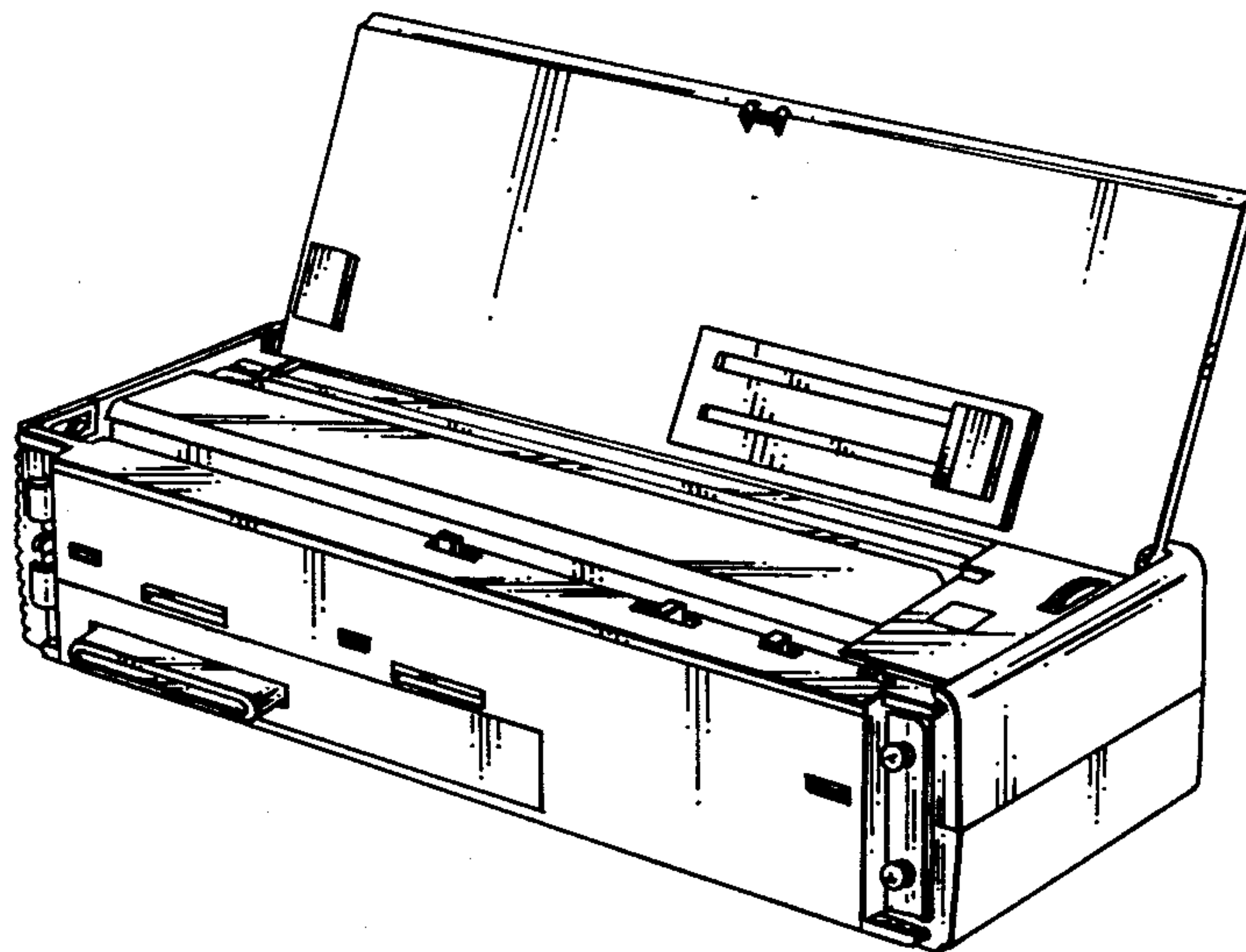
Primary Examiner—James R. Largen
Attorney, Agent, or Firm—Joseph F. Villella, Jr.; H. St. Julian

[57] **CLAIM**

The ornamental design for a thermal printer or the like, as shown and described.

DESCRIPTION

FIG. 1 is a front view of a thermal printer, or the like, showing my new design;
FIG. 2 is a top view thereof;
FIG. 3 is a bottom view thereof;
FIG. 4 is a left side view thereof;
FIG. 5 is a right side view thereof;
FIG. 6 is a rear view thereof;
FIG. 7 is a perspective view taken from the top, front, and right side thereof; and
FIG. 8 is a perspective view taken from the top, front and right side thereof showing the top in an open position.



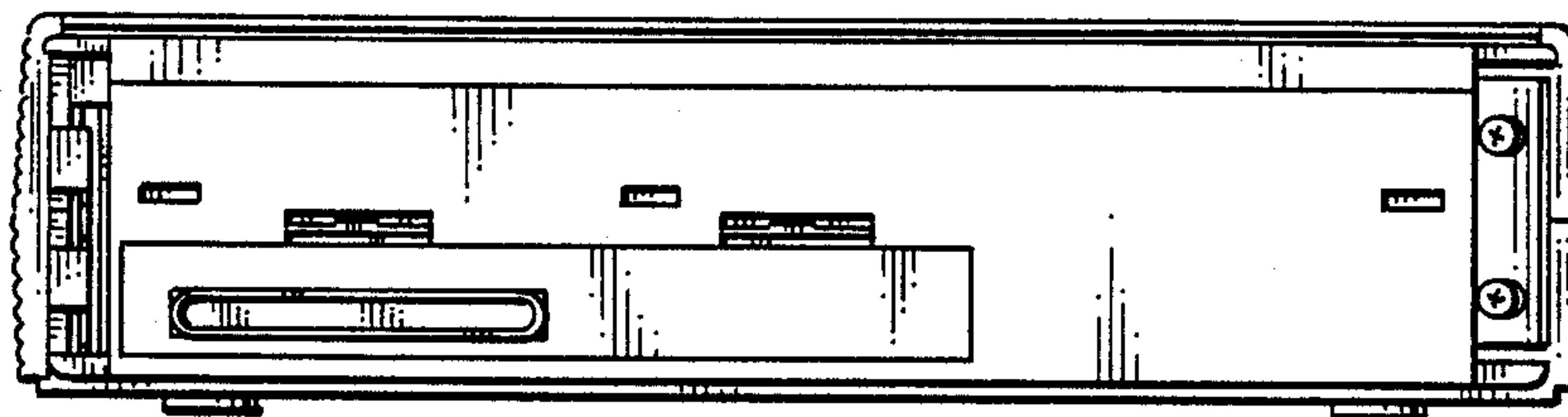


FIG. 1

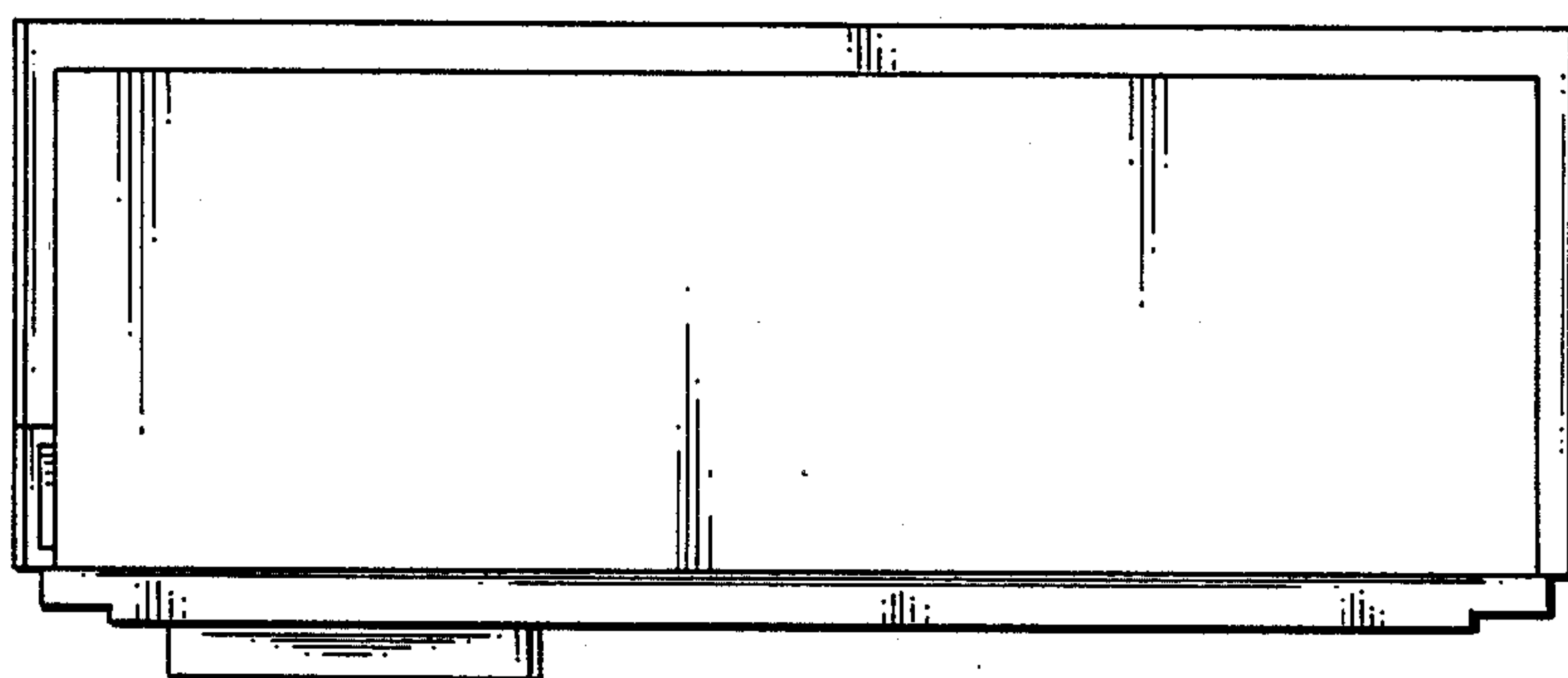


FIG. 2

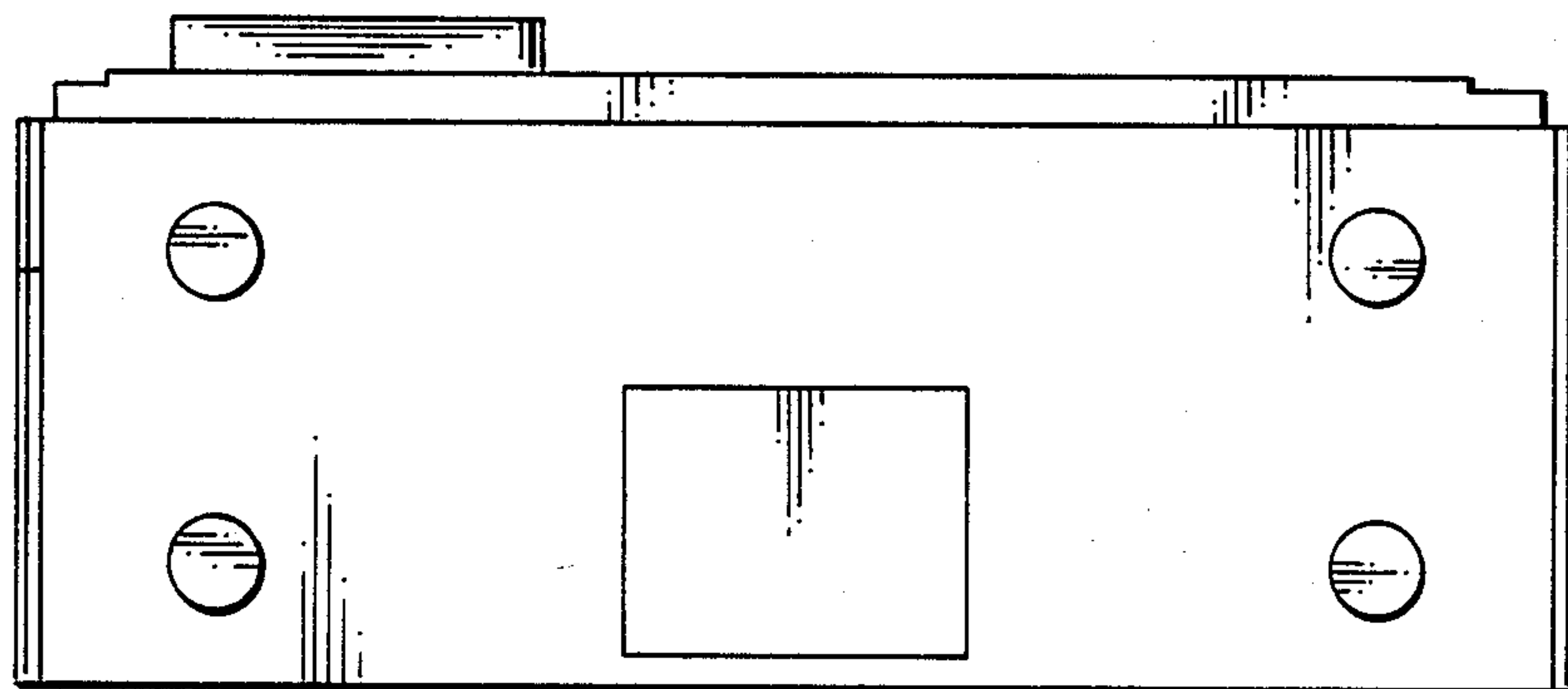


FIG. 3

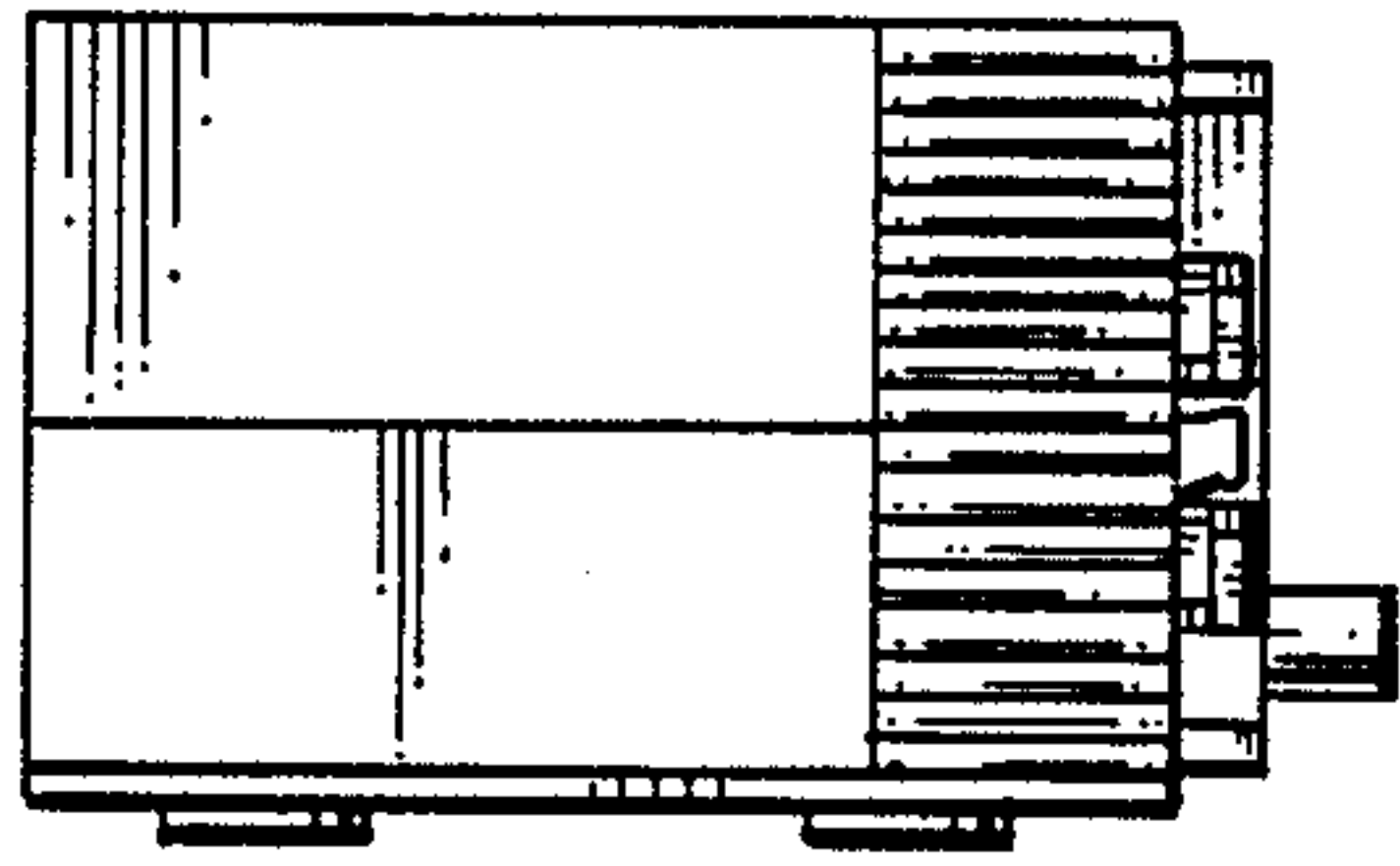


FIG. 4

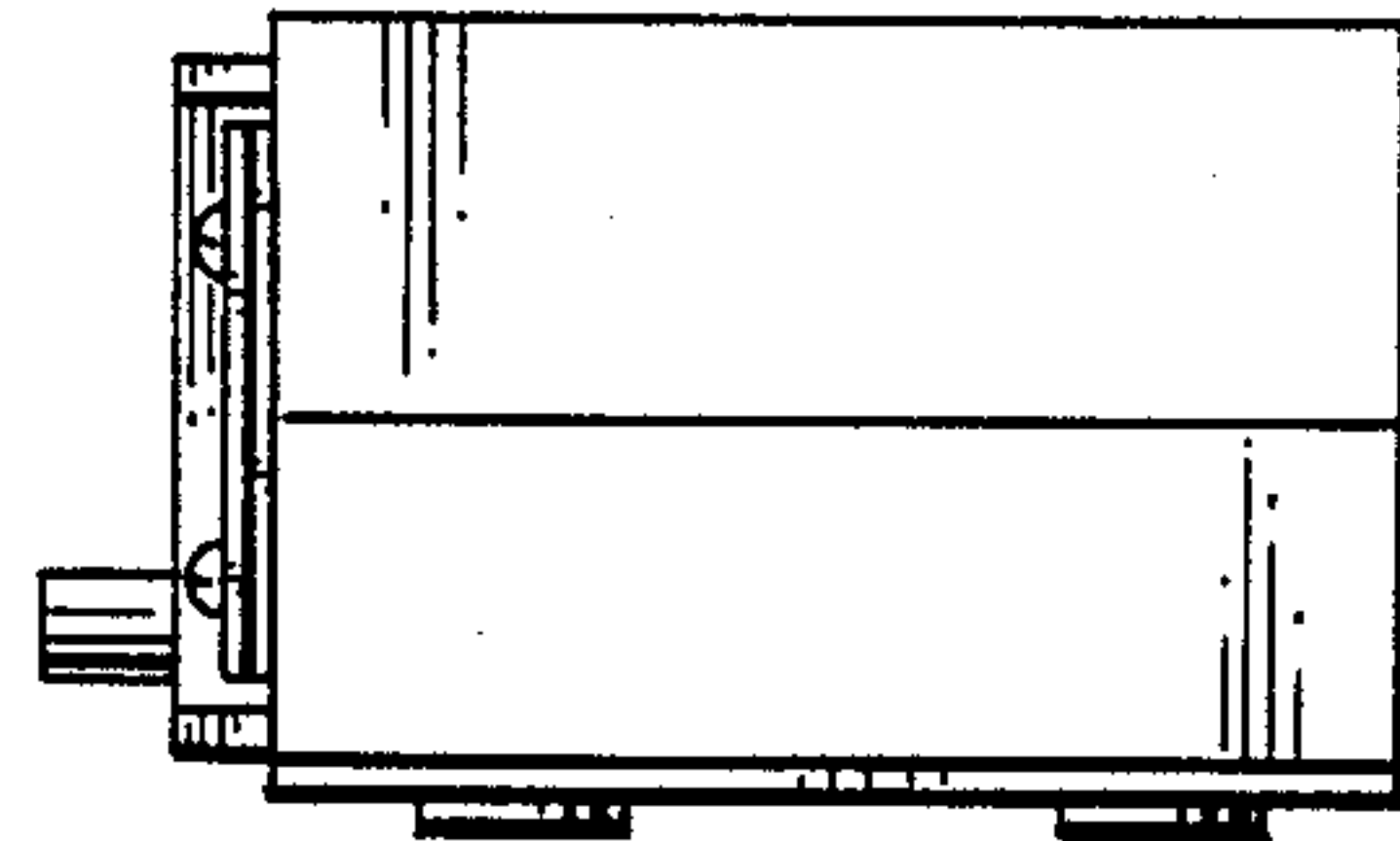


FIG. 5

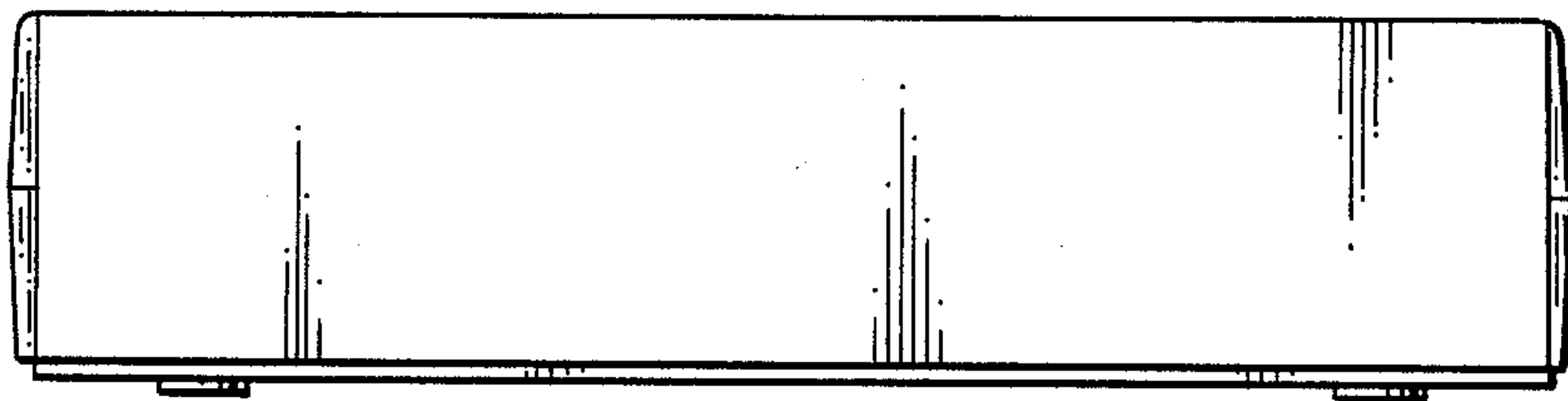


FIG. 6

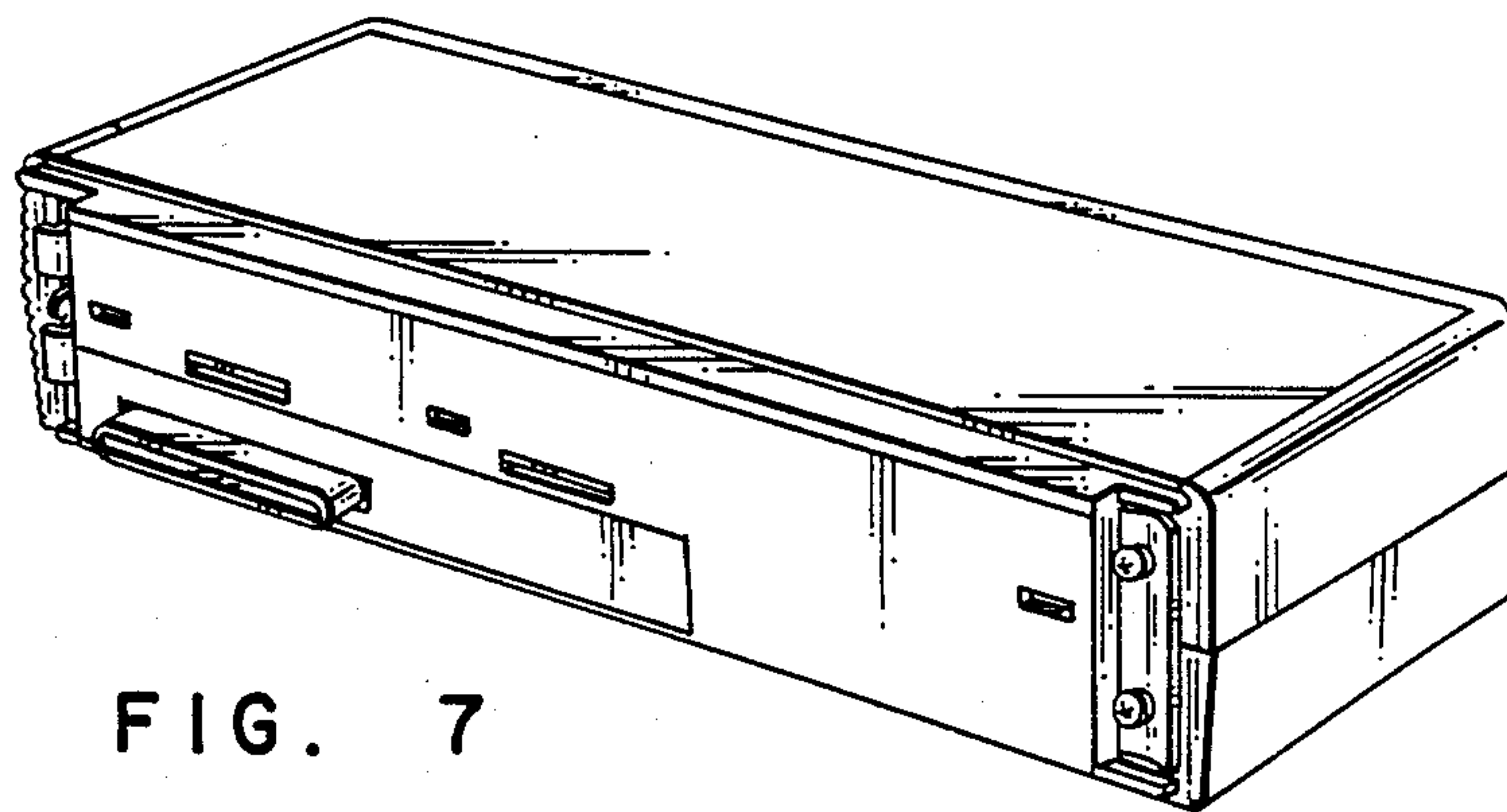


FIG. 7

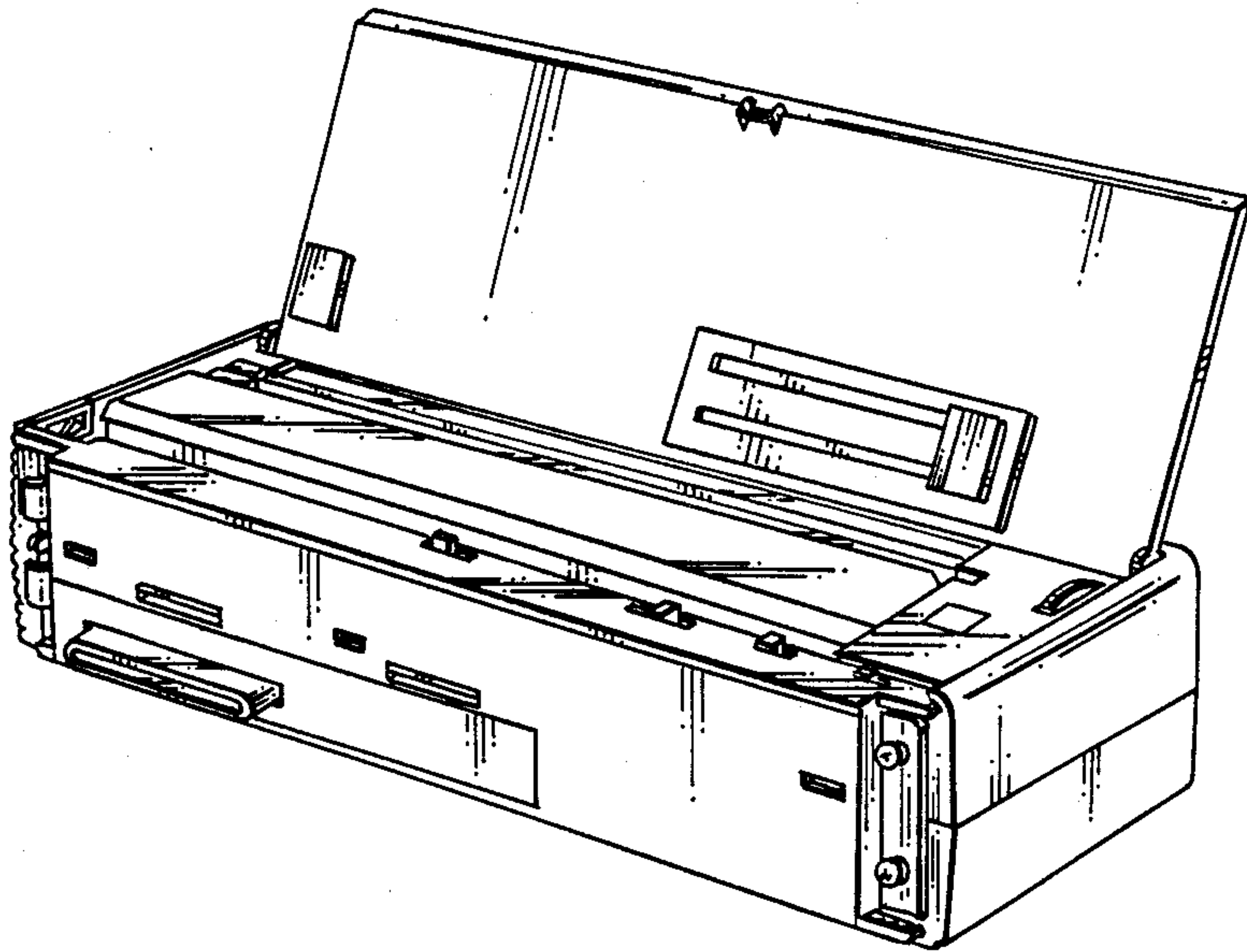


FIG. 8