

[54] **INK RIBBON CASSETTE**  
[75] **Inventor: Sachie Sakurai, Aichi, Japan**  
[73] **Assignee: Brother Kogyo Kabushiki Kaisha, Nagoya, Japan**

[\*\*] **Term: 14 Years**

[21] **Appl. No.: 72,621**

[22] **Filed: Jul. 13, 1987**

[30] **Foreign Application Priority Data**

Jan. 7, 1987 [JP] Japan ..... 62-178  
[52] **U.S. Cl. .... D18/12**  
[58] **Field of Search ..... D18/12, 22, 23, 899; 400/196, 196.1, 208**

[56] **References Cited**

**U.S. PATENT DOCUMENTS**

D. 245,726 9/1977 Sottsass ..... D18/12  
D. 285,808 9/1986 Fuziwara et al. .... D18/22  
3,833,108 9/1974 Von Daeniken ..... 400/208  
3,877,561 4/1975 Guerrini et al. .... 400/208

3,889,795 6/1975 Garberi et al. .... 400/208  
3,960,259 6/1976 Guerrini et al. .... 400/208  
3,976,183 8/1976 Fleischmann et al. .... 400/208  
4,132,485 1/1979 Hess ..... 400/208  
4,427,313 1/1984 Giolitti ..... 400/208  
4,490,059 12/1984 Daughters ..... 400/208

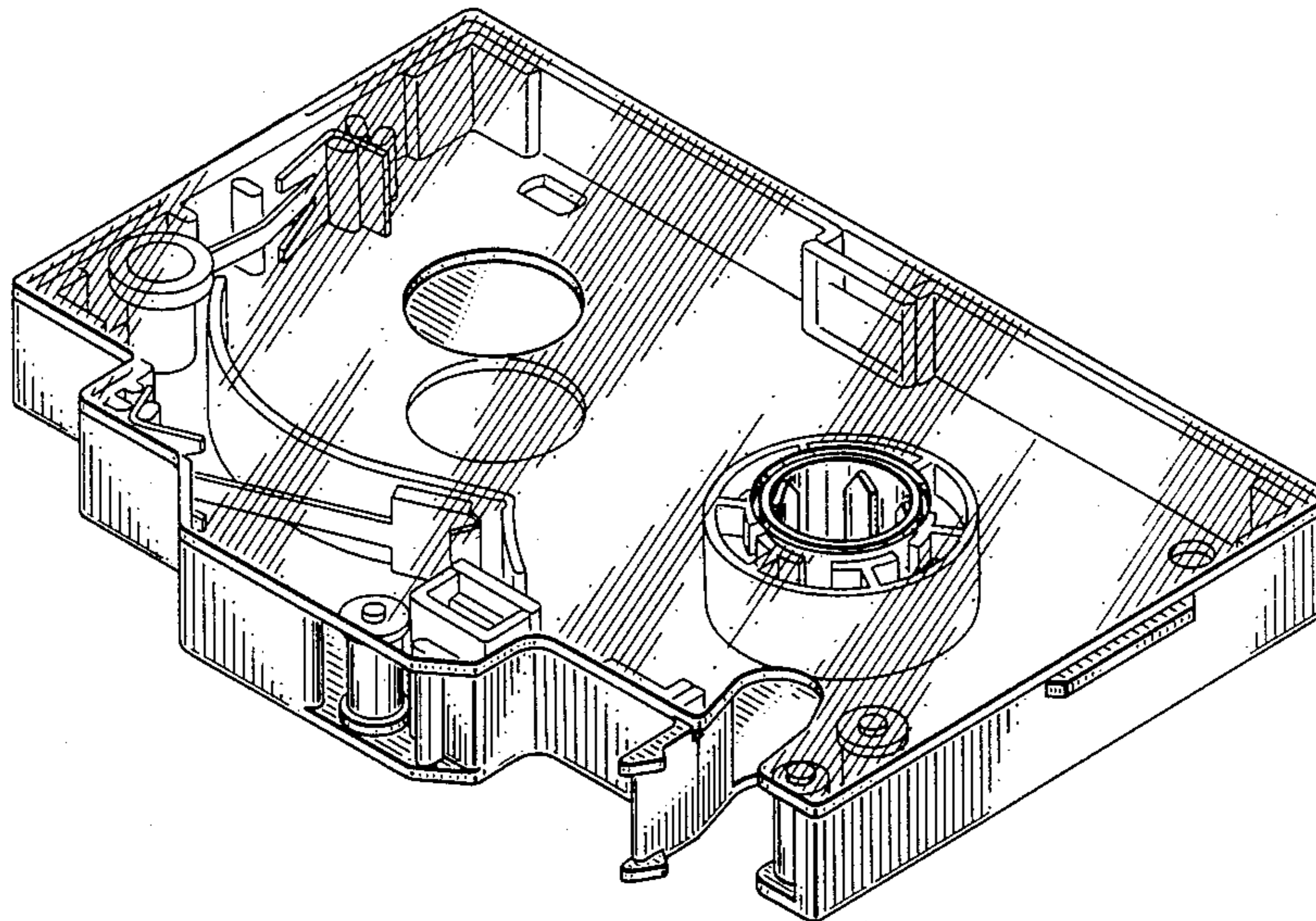
*Primary Examiner*—James R. Largen  
*Attorney, Agent, or Firm*—Moonray Kojima

[57] **CLAIM**

The ornamental design for an ink ribbon cassette, as shown.

**DESCRIPTION**

FIG. 1 is a top plan view of an ink ribbon cassette, showing my new design;  
FIG. 2 is a front elevational view thereof;  
FIG. 3 is a rear elevational view thereof;  
FIG. 4 is a left side end elevational view thereof;  
FIG. 5 is a right side end elevational view thereof;  
FIG. 6 is a bottom plan view thereof; and  
FIG. 7 is a front, top and right side perspective view thereof.



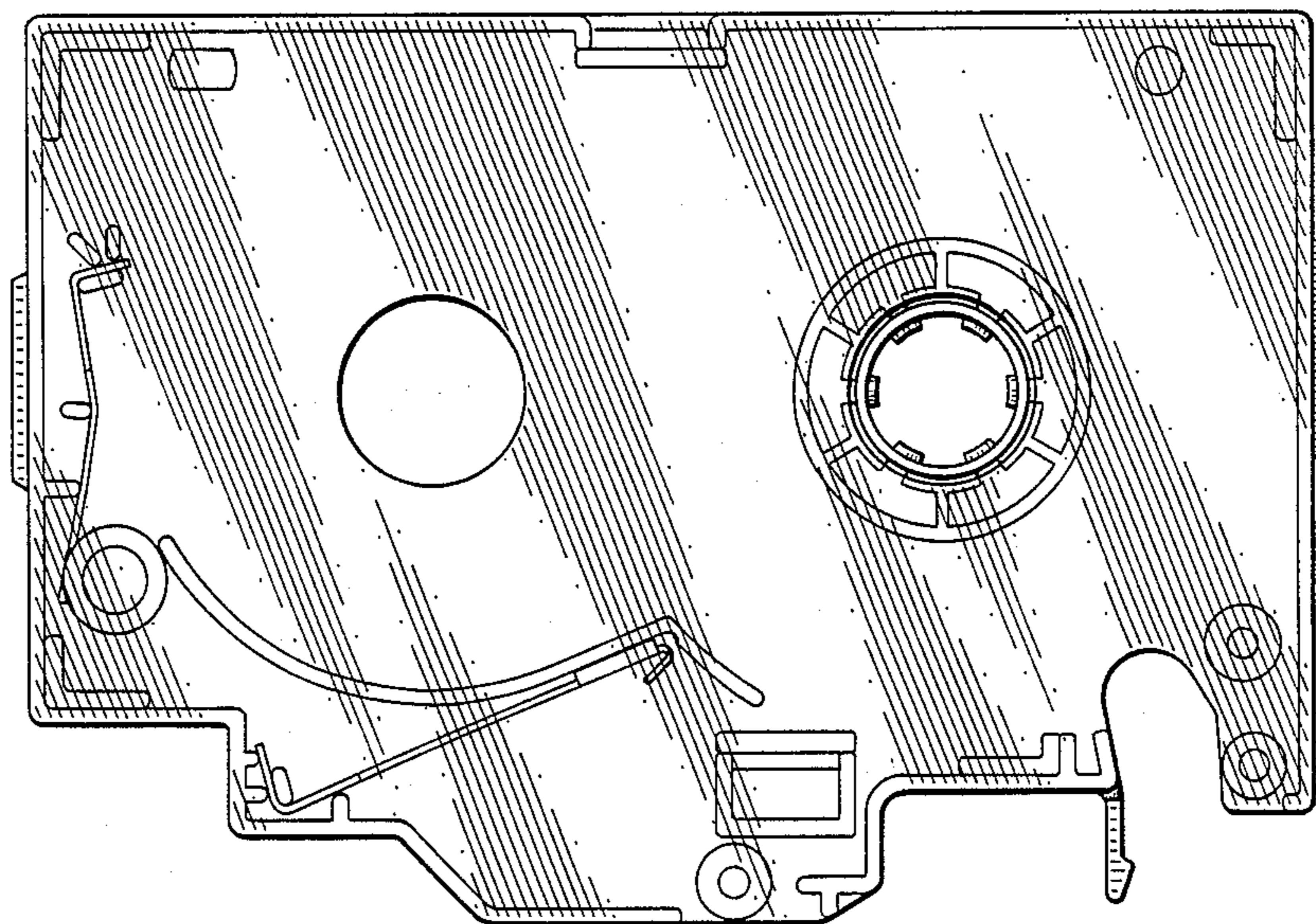


FIG. 1

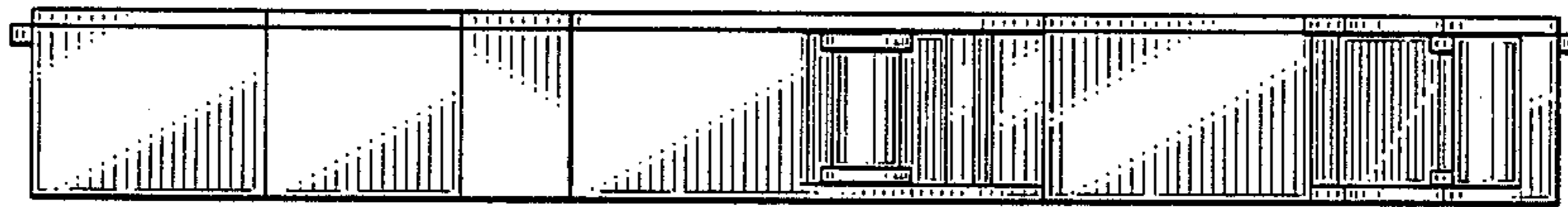


FIG. 2

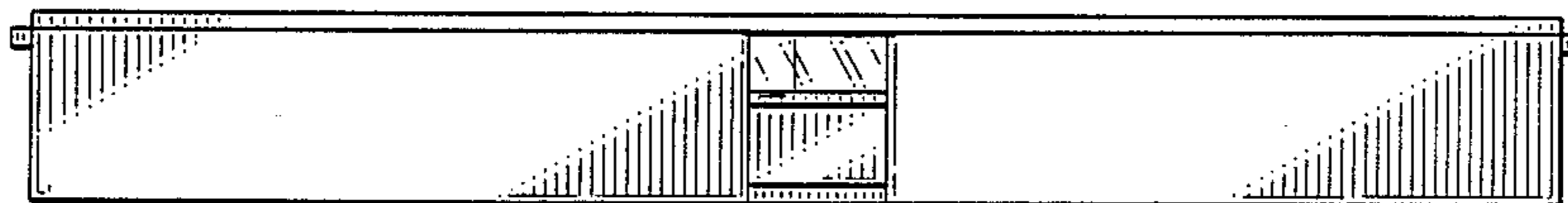


FIG. 3



FIG. 4

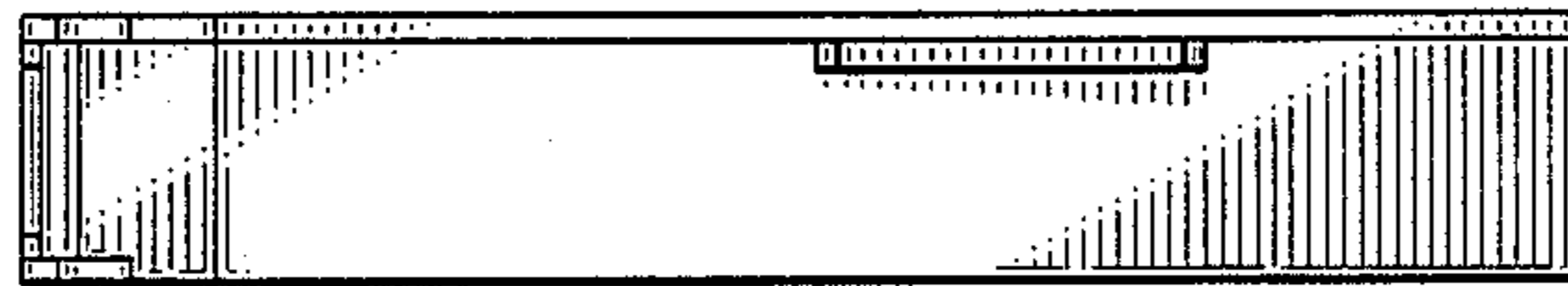


FIG. 5

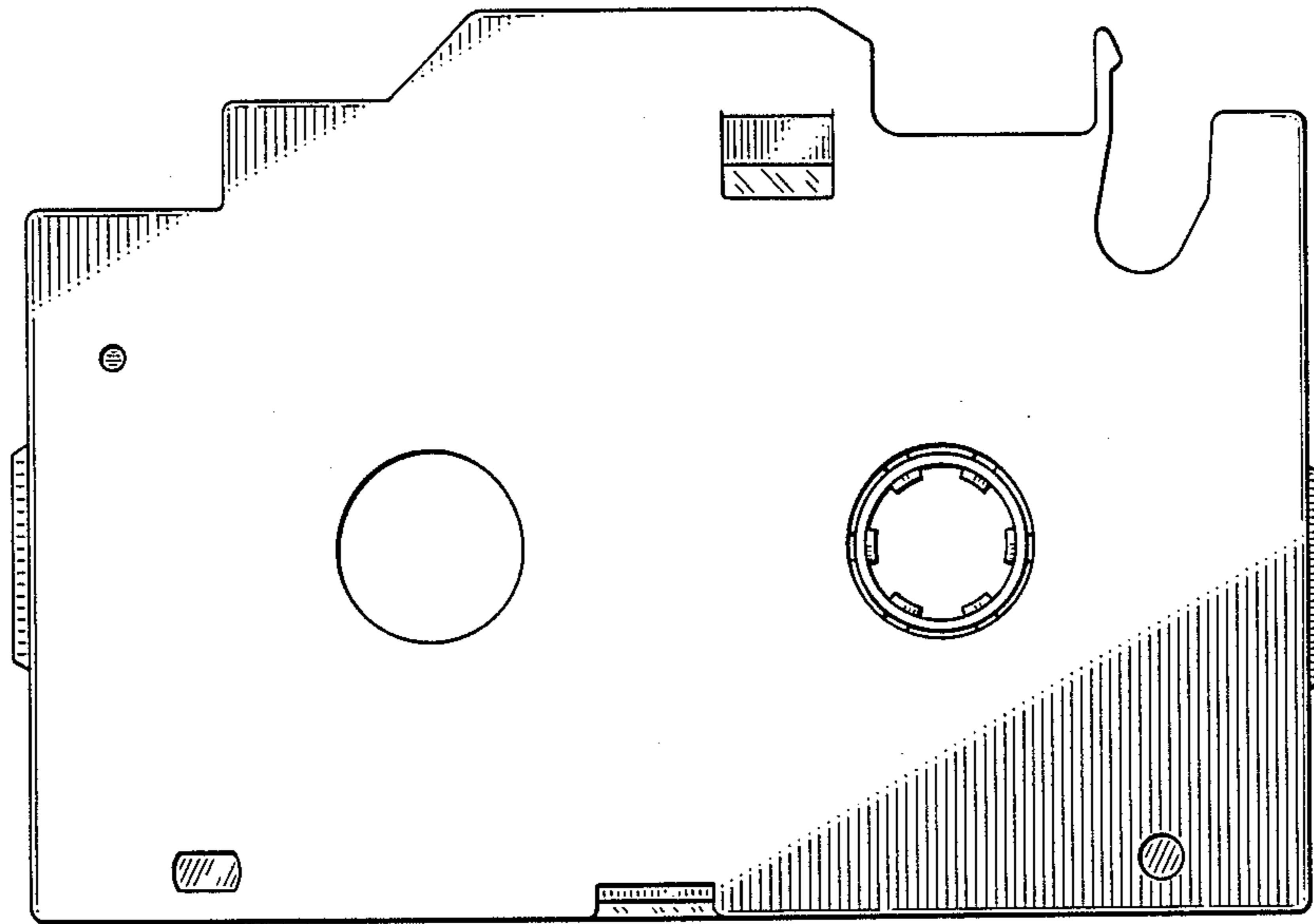


FIG. 6



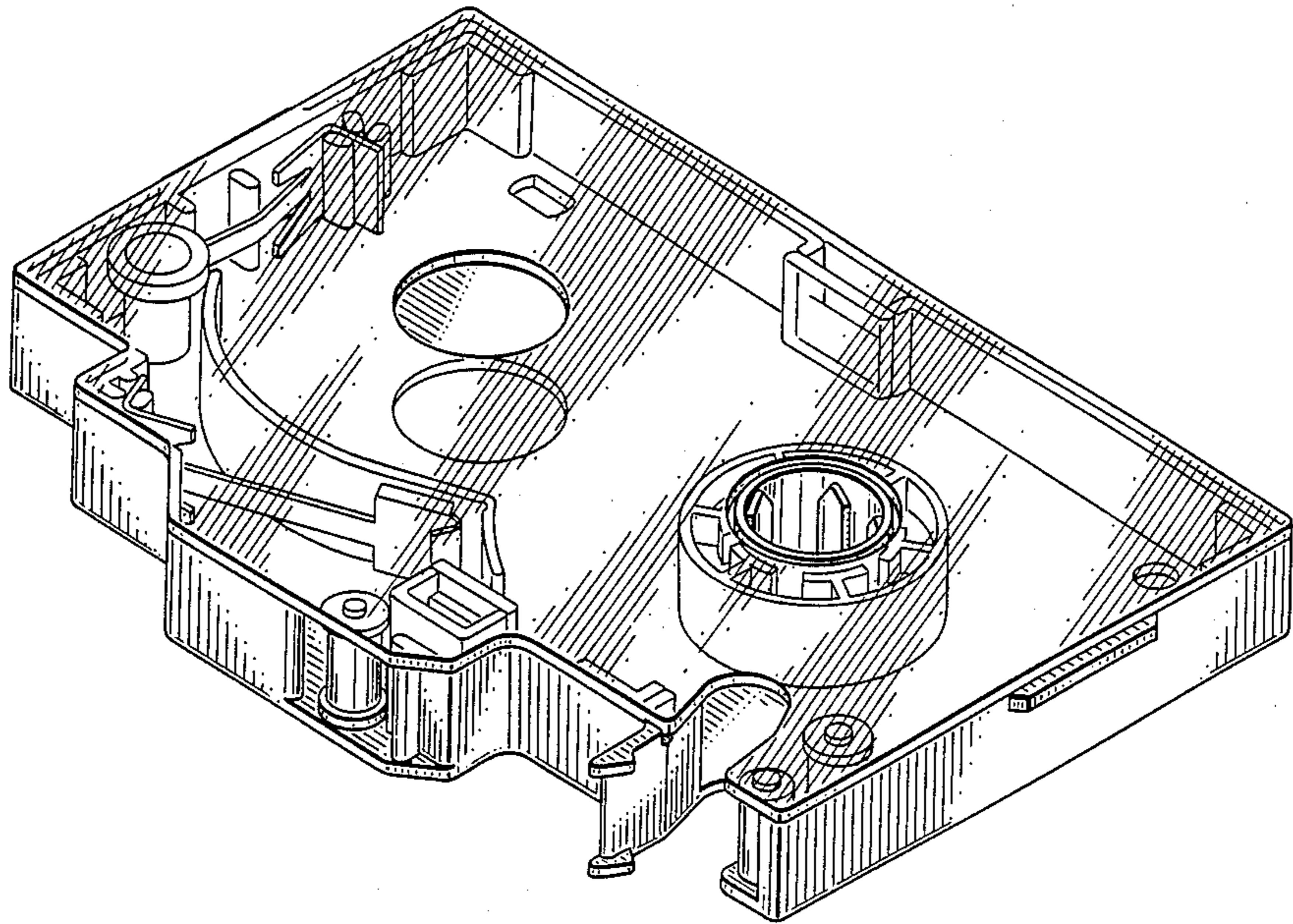


FIG. 7