

[54] CAMERA

[75] Inventor: Tetsuya Goto, Kanagawa, Japan

[73] Assignee: Ricoh Company, Ltd., Tokyo, Japan

[**] Term: 14 Years

[21] Appl. No.: 935,570

[22] Filed: Nov. 26, 1986

[30] Foreign Application Priority Data

May 26, 1986 [JP] Japan 61-020014

[52] U.S. Cl. D16/217; D16/209; D16/216

[58] Field of Search D16/200, 216, 217, 208, D16/209; 354/152, 187, 202, 288, 155

[56] References Cited

U.S. PATENT DOCUMENTS

- D. 284,082 6/1986 Masatsugu et al. D16/202
- D. 286,405 10/1986 Iwasaki et al. D16/202
- D. 289,659 5/1987 Colani D16/217
- D. 291,090 7/1987 Ago et al. D16/209
- 4,623,931 11/1986 Inaga et al. D16/202

Primary Examiner—Bernard Ansher
Assistant Examiner—Adir Aronovich
Attorney, Agent, or Firm—Oblon, Spivak, McClelland, Maier & Neustadt

[57] CLAIM

The ornamental design for camera, as shown and described.

DESCRIPTION

FIG. 1 is a top front perspective view of a camera showing my new design;
 FIG. 2 is a rear perspective view thereof;
 FIG. 3 is a bottom plan view thereof;
 FIG. 4 is a perspective view similar to FIG. 1 with the lens barrier in position;
 FIG. 5 is a top perspective view of the camera illustrated in FIG. 1 with the handgrip shown in an alternate position;
 FIG. 6 is a top perspective view rotated 90 degrees clockwise from FIG. 1, with the telescopic lens in a fully assembled position; and
 FIG. 7 is a top perspective view thereof, with the flash device in an extended position.

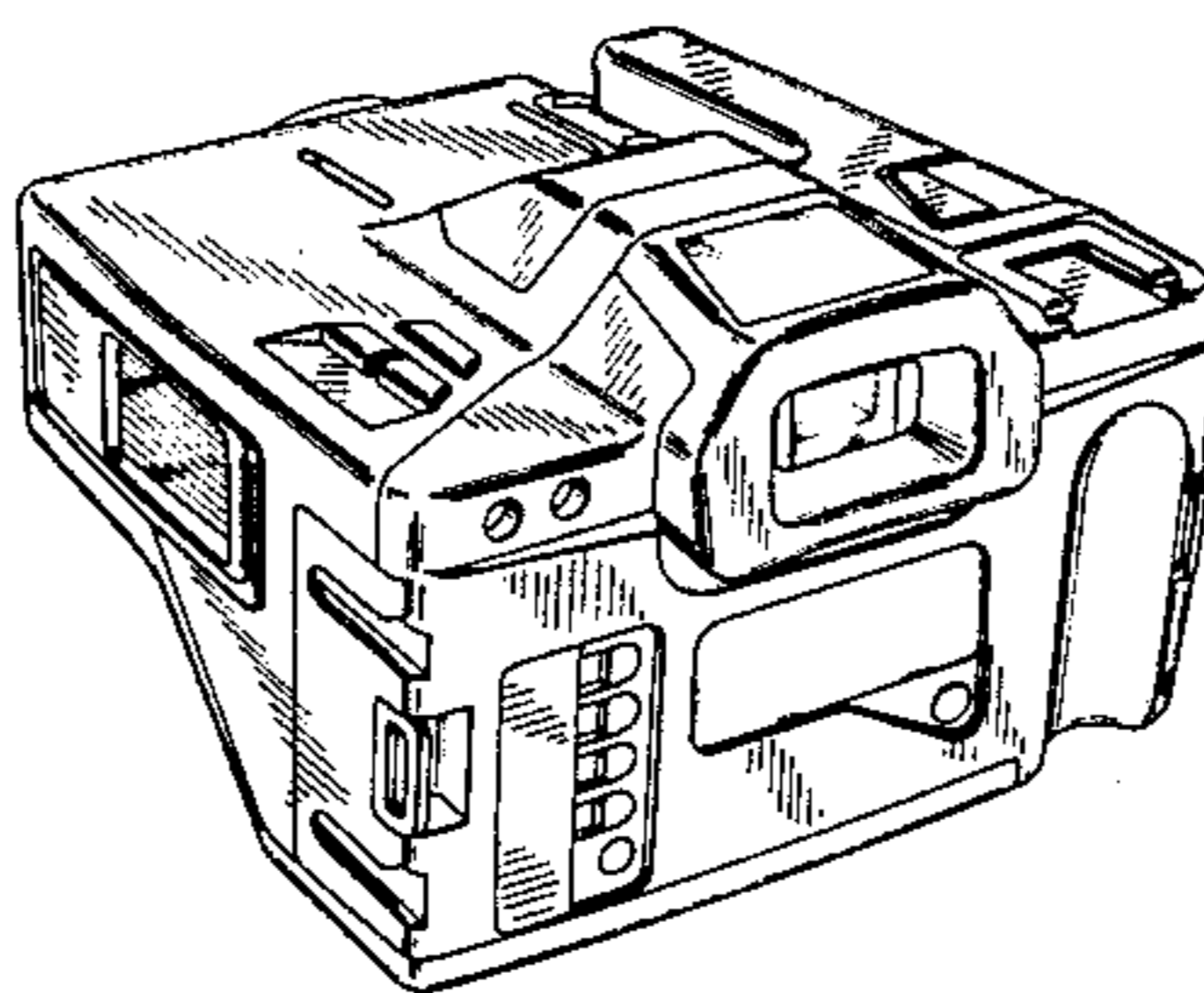
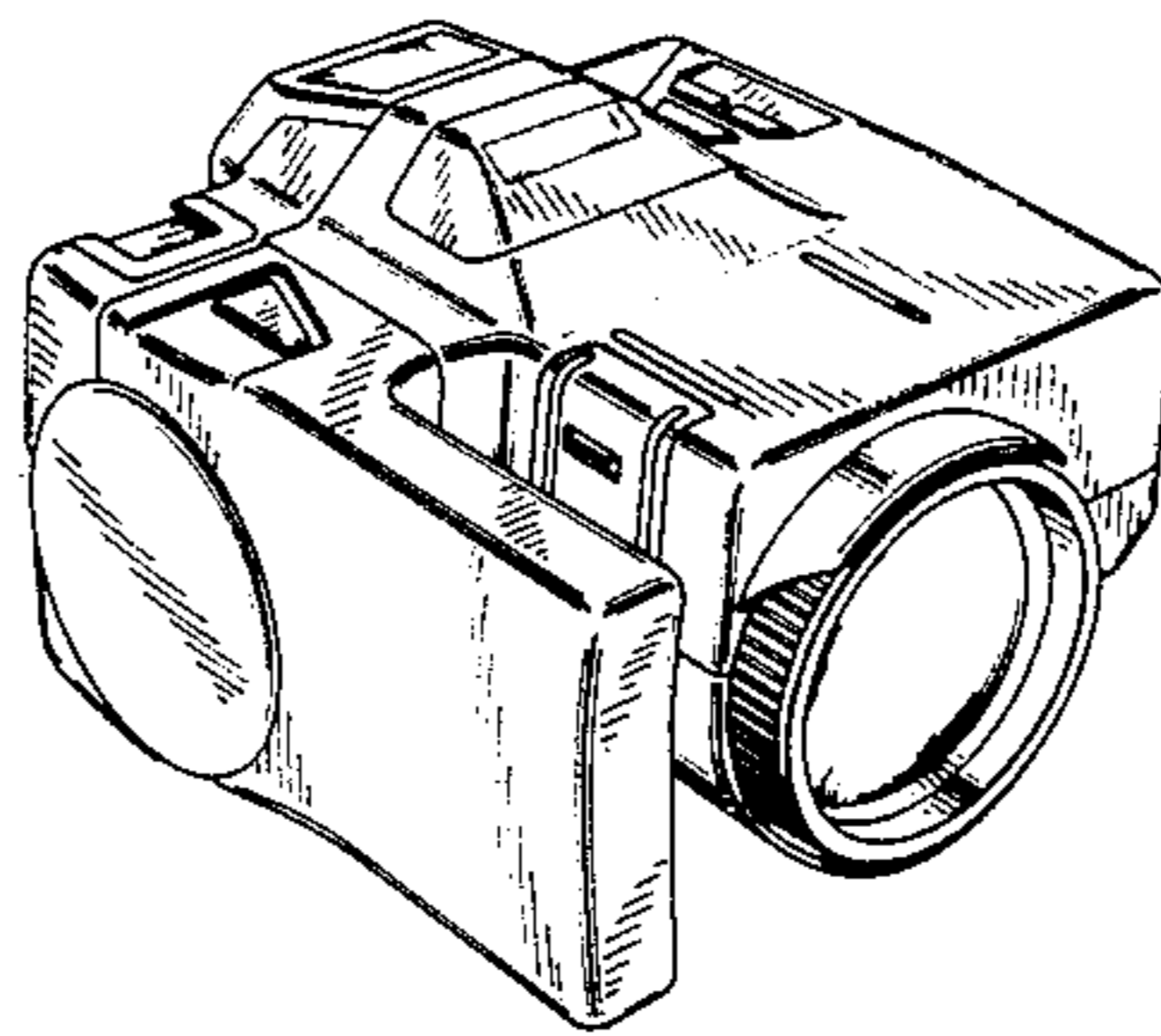


FIG. 1

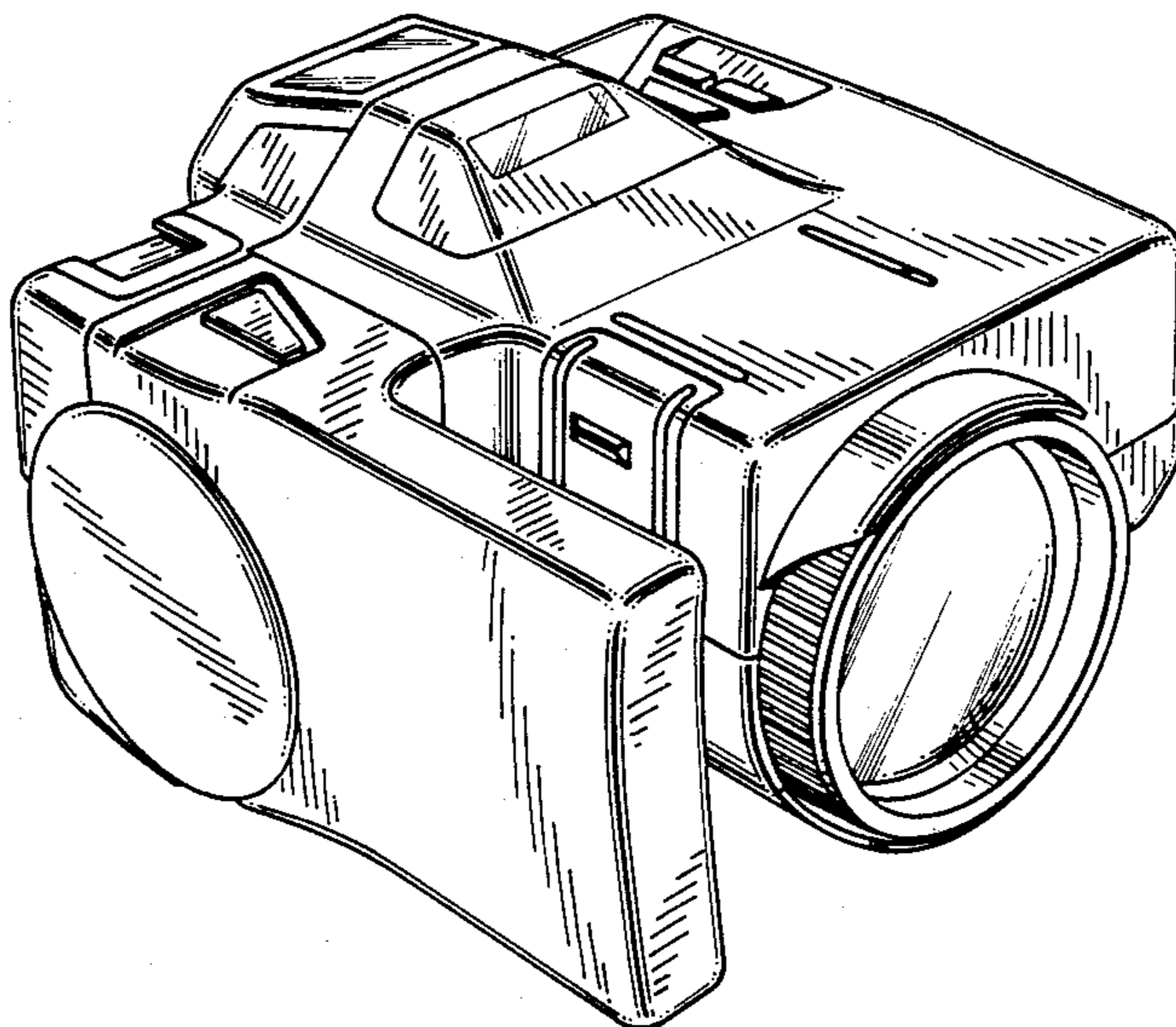


FIG. 2

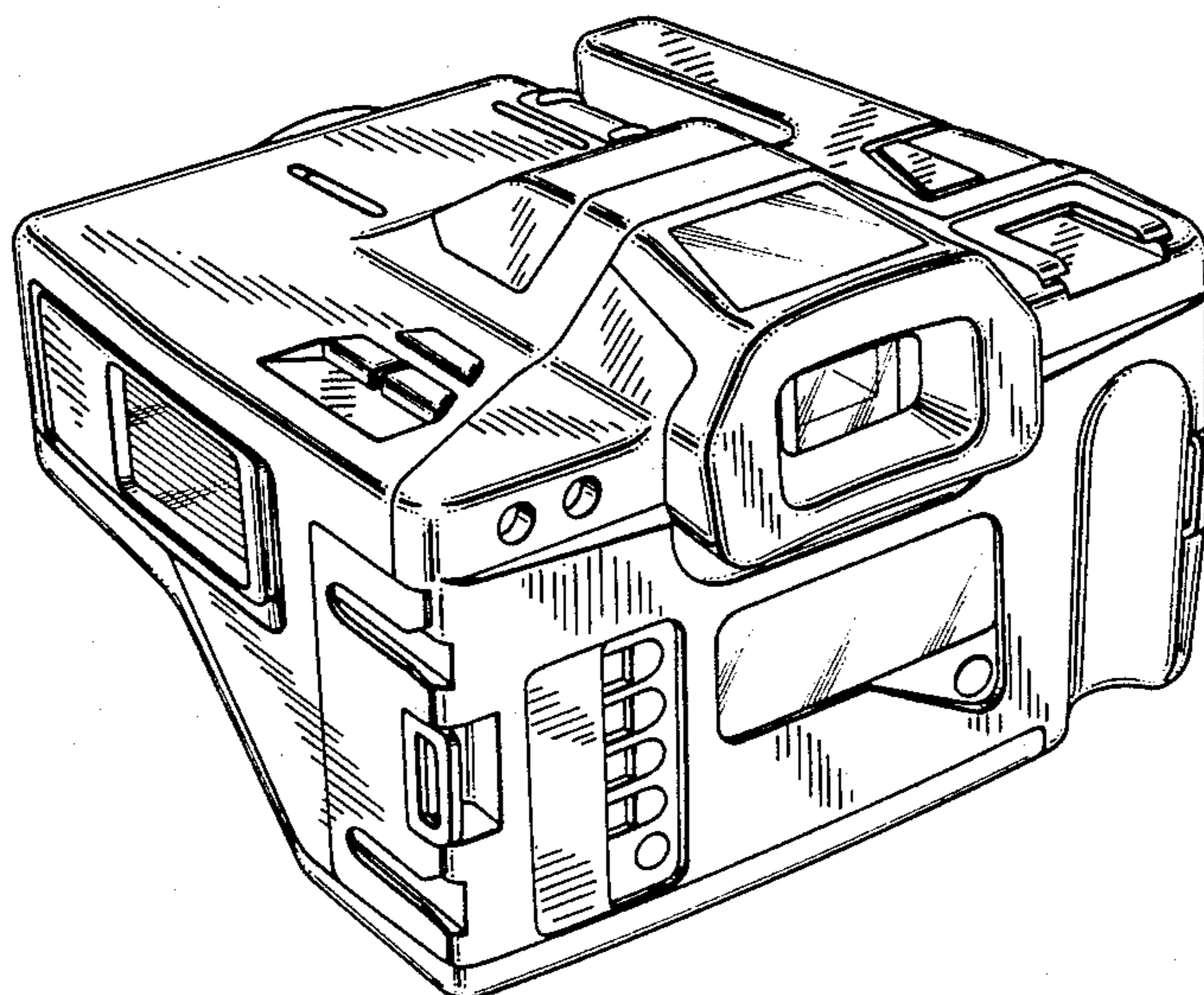


FIG. 3

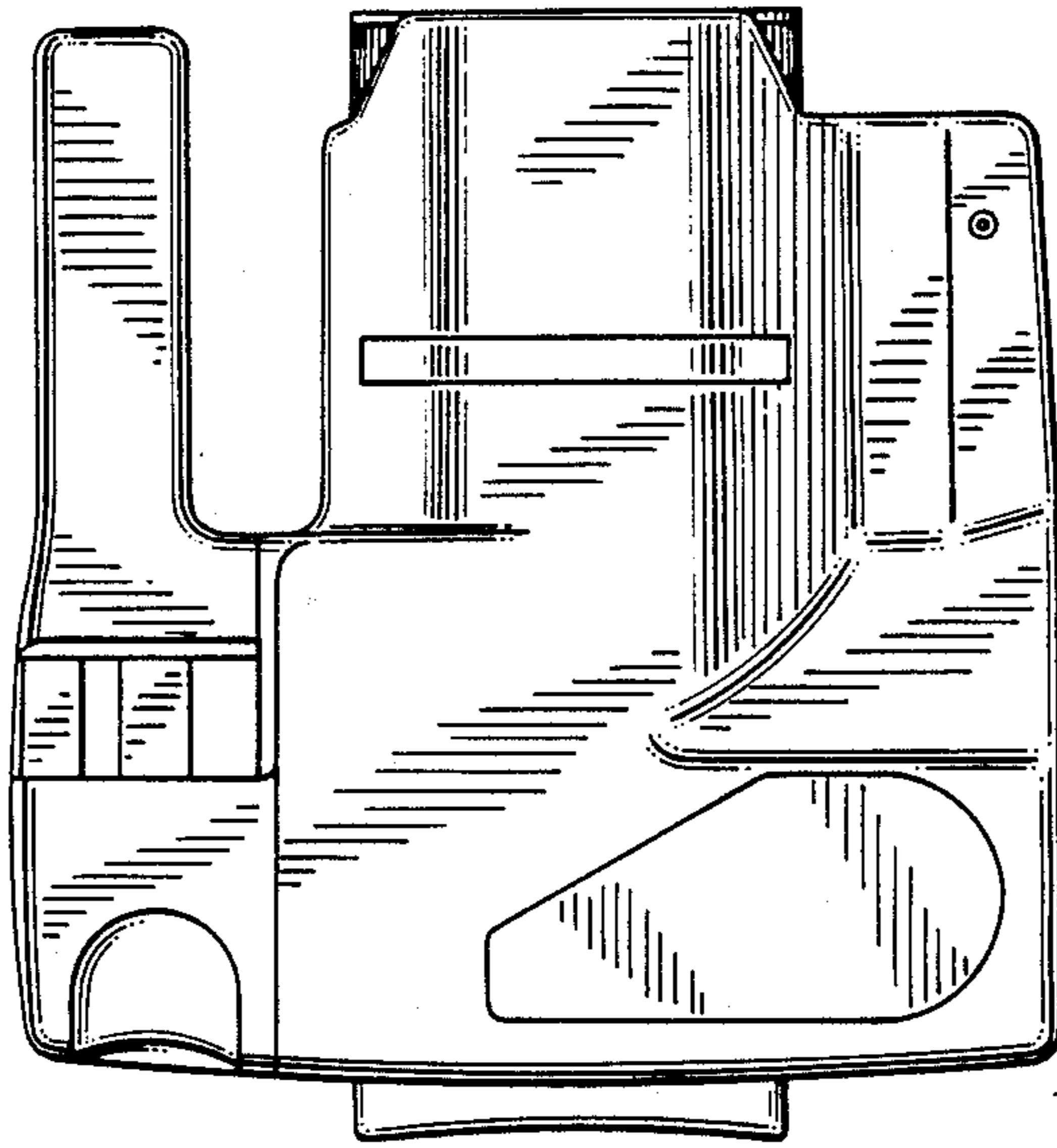


FIG. 4

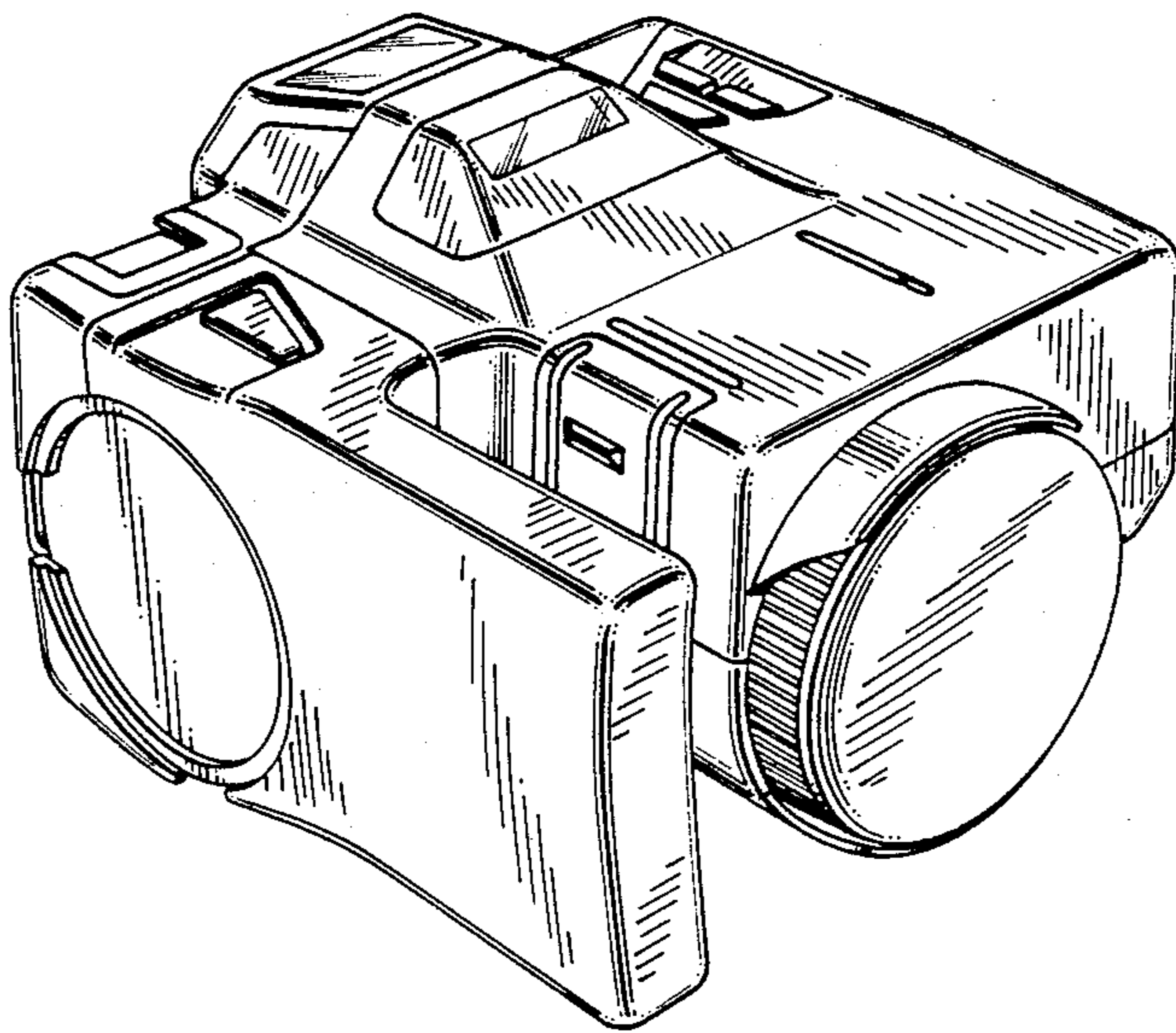


FIG. 5

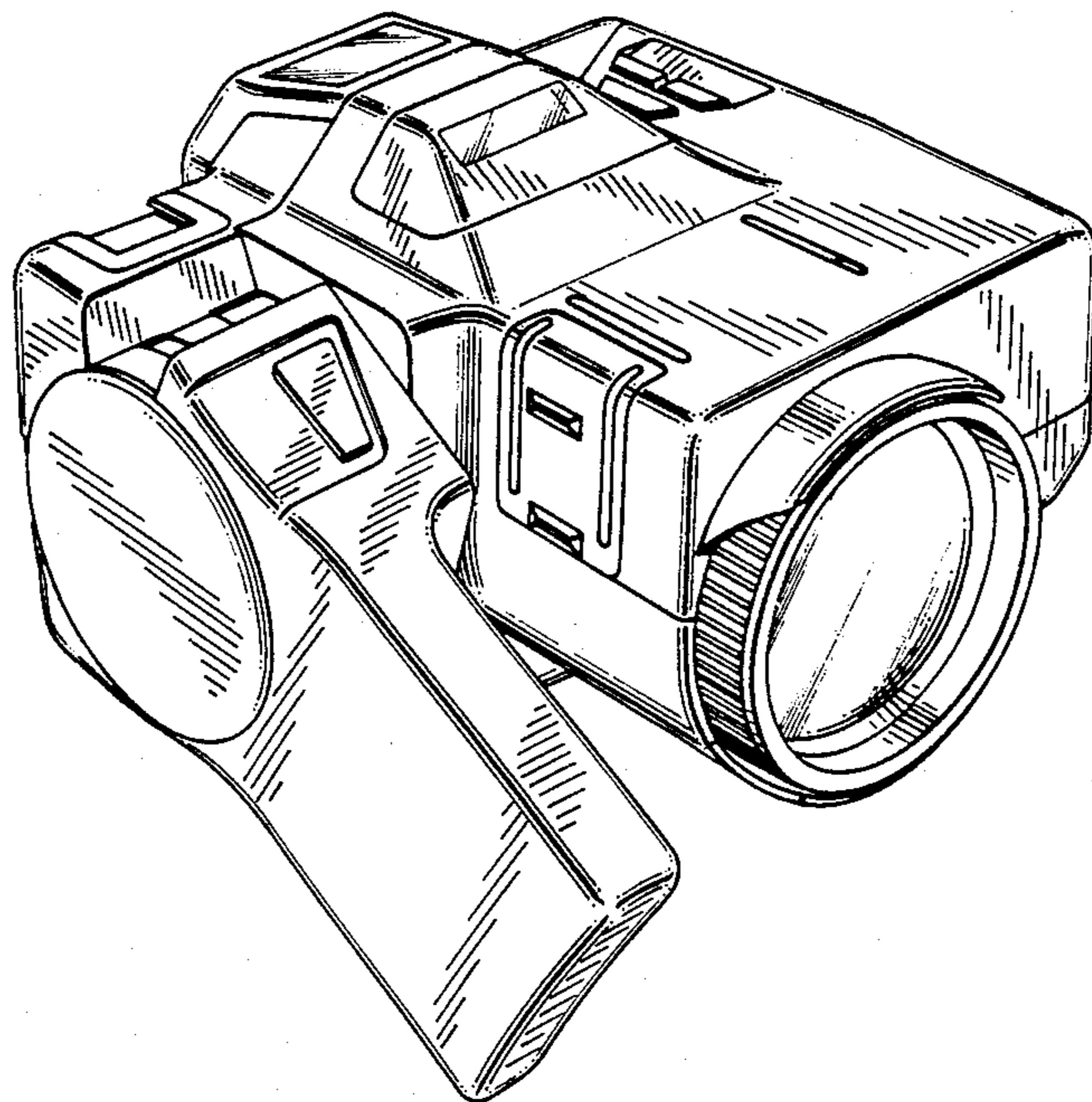


FIG. 6

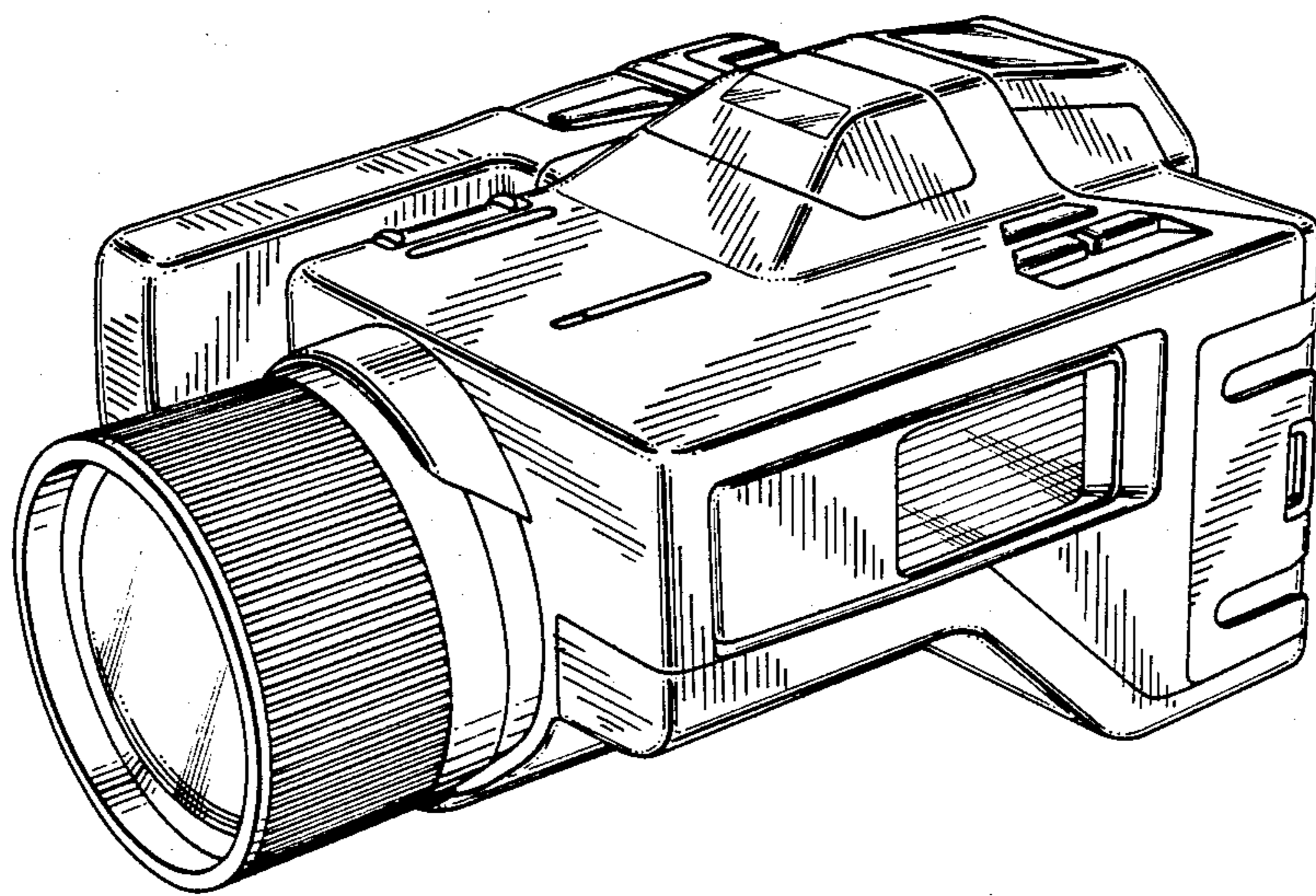


FIG. 7

