

United States Patent [19]

Hilko

[11] Patent Number: **Des. 304,593**

[45] Date of Patent: **** Nov. 14, 1989**

[54] **MICROSCOPE**

[75] Inventor: **Steven E. Hilko, Buffalo, N.Y.**

[73] Assignee: **The Quaker Oats Company, Chicago, Ill.**

[**] Term: **14 Years**

[21] Appl. No.: **786,294**

[22] Filed: **Oct. 10, 1985**

[52] U.S. Cl. **D16/131**

[58] Field of Search **D16/130, 131; 350/507, 350/530, 531, 511, 519, 526, 514; 354/79**

[56] **References Cited**

U.S. PATENT DOCUMENTS

D. 198,815 8/1964 Patla D16/131
2,123,882 7/1938 Draeger 350/507 X

3,997,239 12/1976 Scherzer 350/519 X
4,469,411 9/1984 Clegg 350/507 X

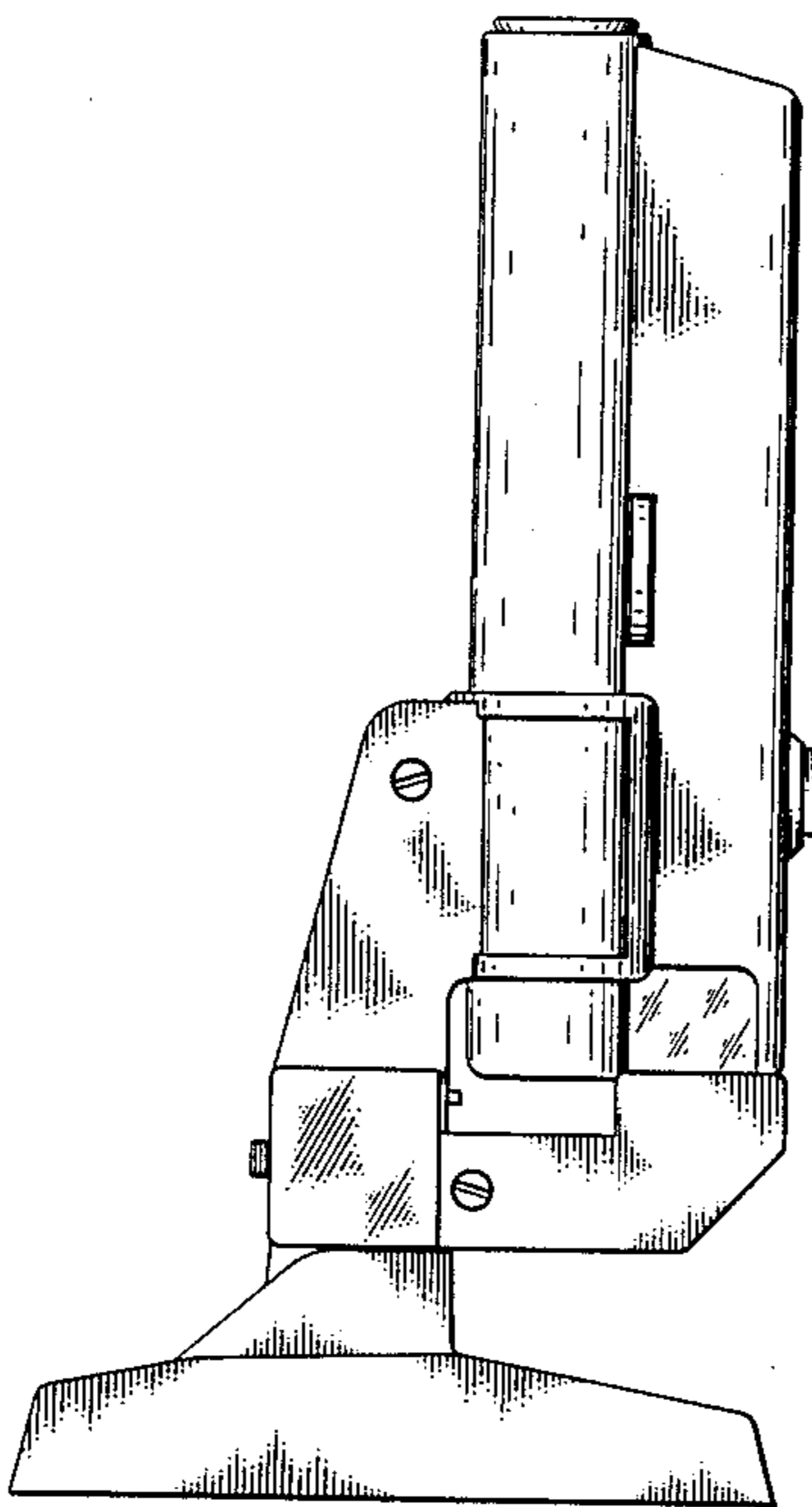
Primary Examiner—A. Hugo Word
Assistant Examiner—Stella M. Reid
Attorney, Agent, or Firm—Cumpston & Shaw

[57] **CLAIM**

The ornamental design for a microscope, substantially as shown.

DESCRIPTION

FIG. 1 is a right-side elevational view of a microscope showing my new design;
FIG. 2 is a left-side elevational view thereof;
FIG. 3 is a front elevational view thereof;
FIG. 4 is a rear elevational view thereof;
FIG. 5 is a top plan view thereof; and
FIG. 6 is a bottom plan view thereof.



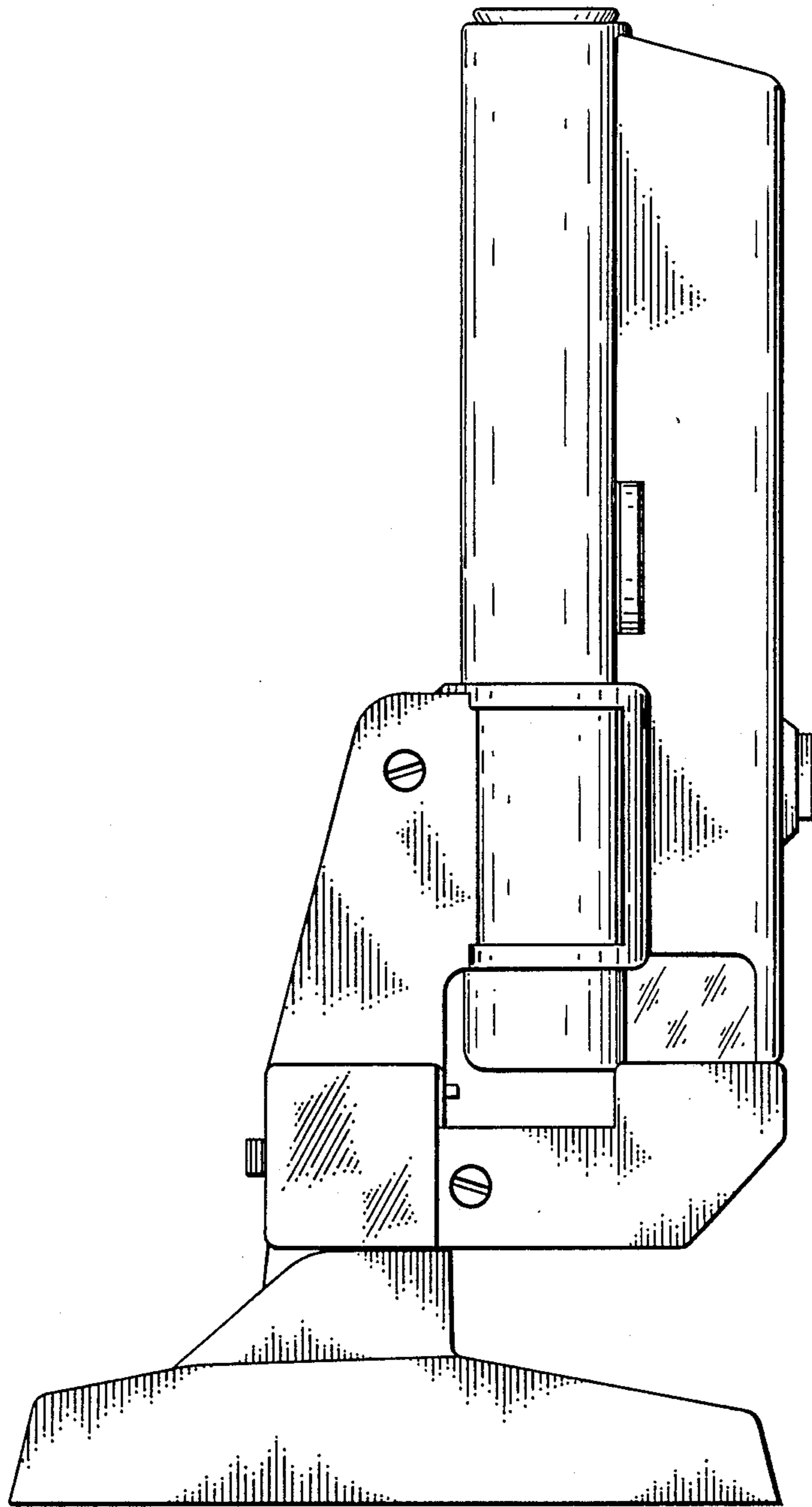


FIG. 1

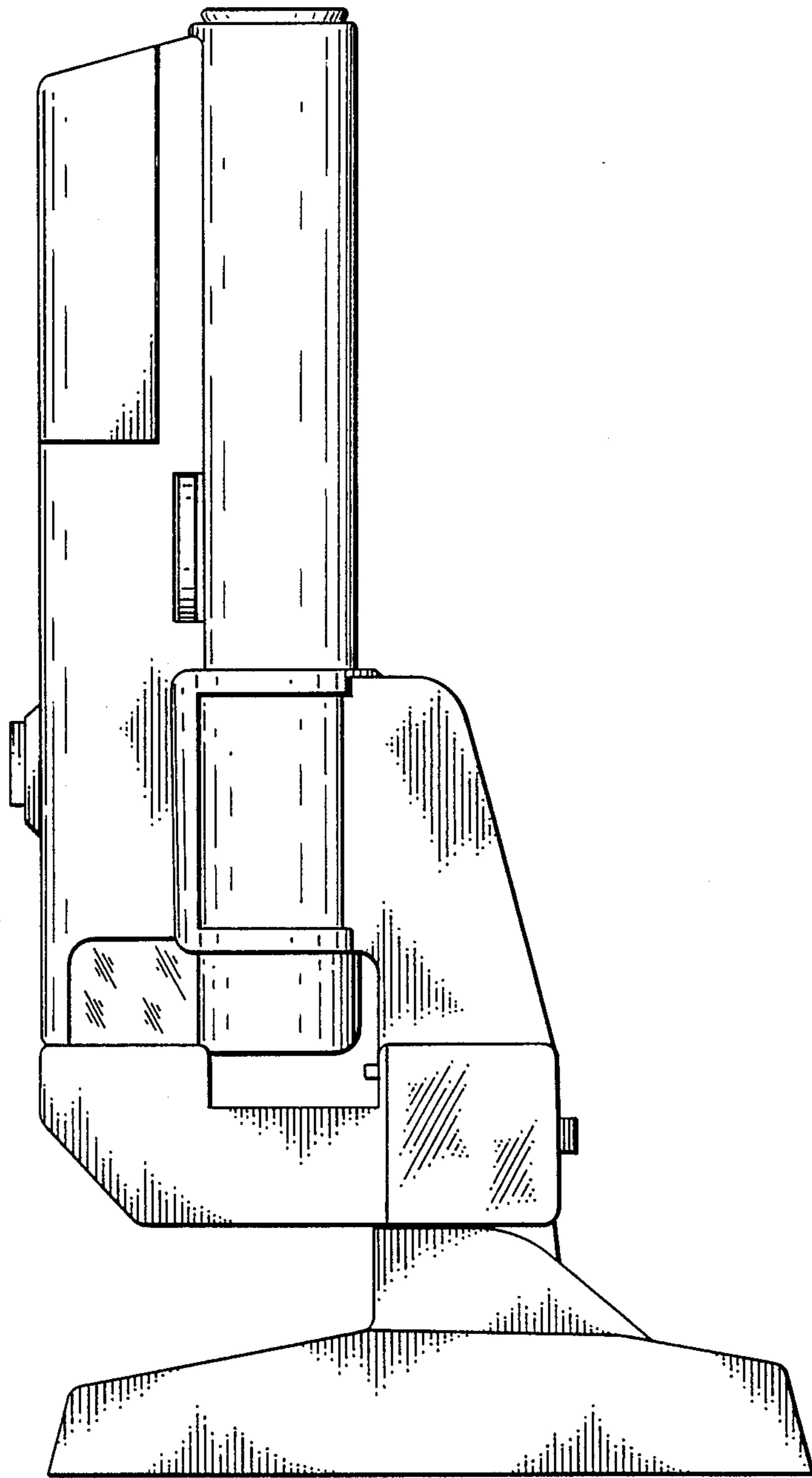


FIG. 2

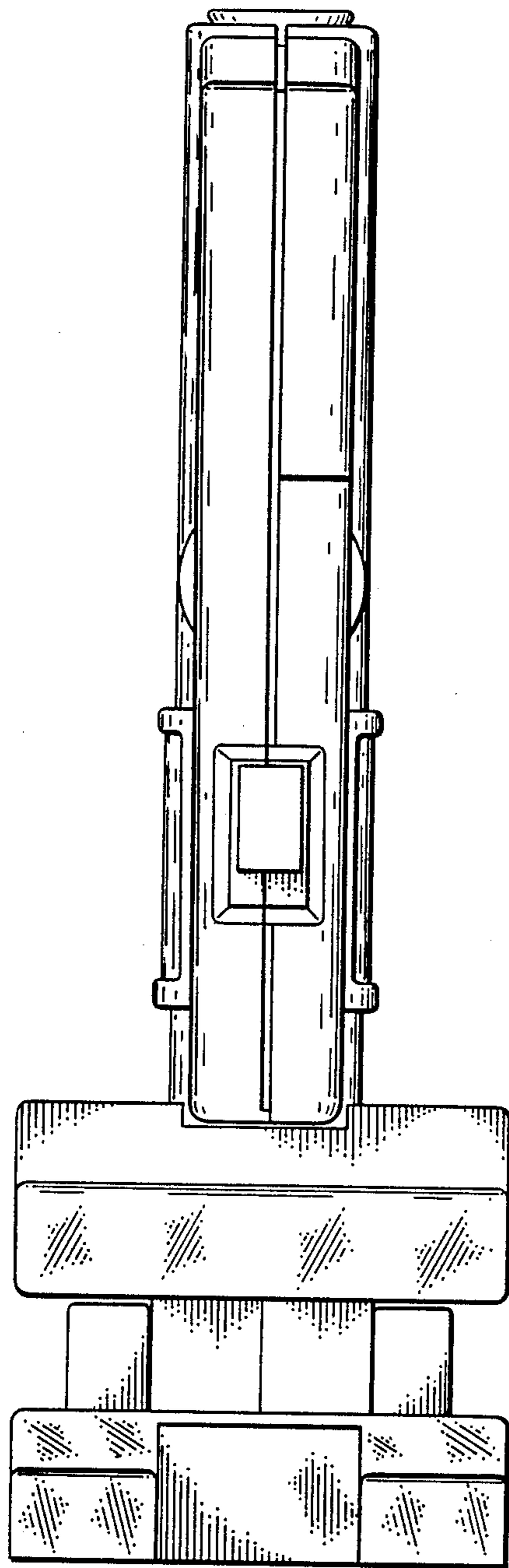


FIG. 3

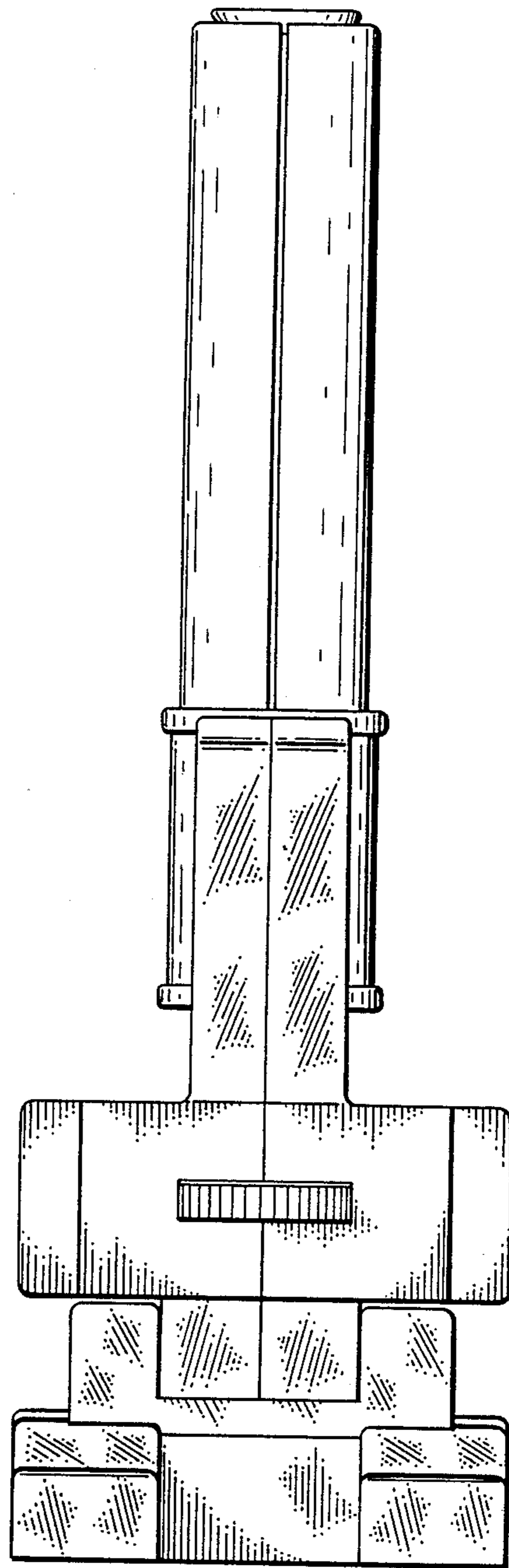


FIG. 4

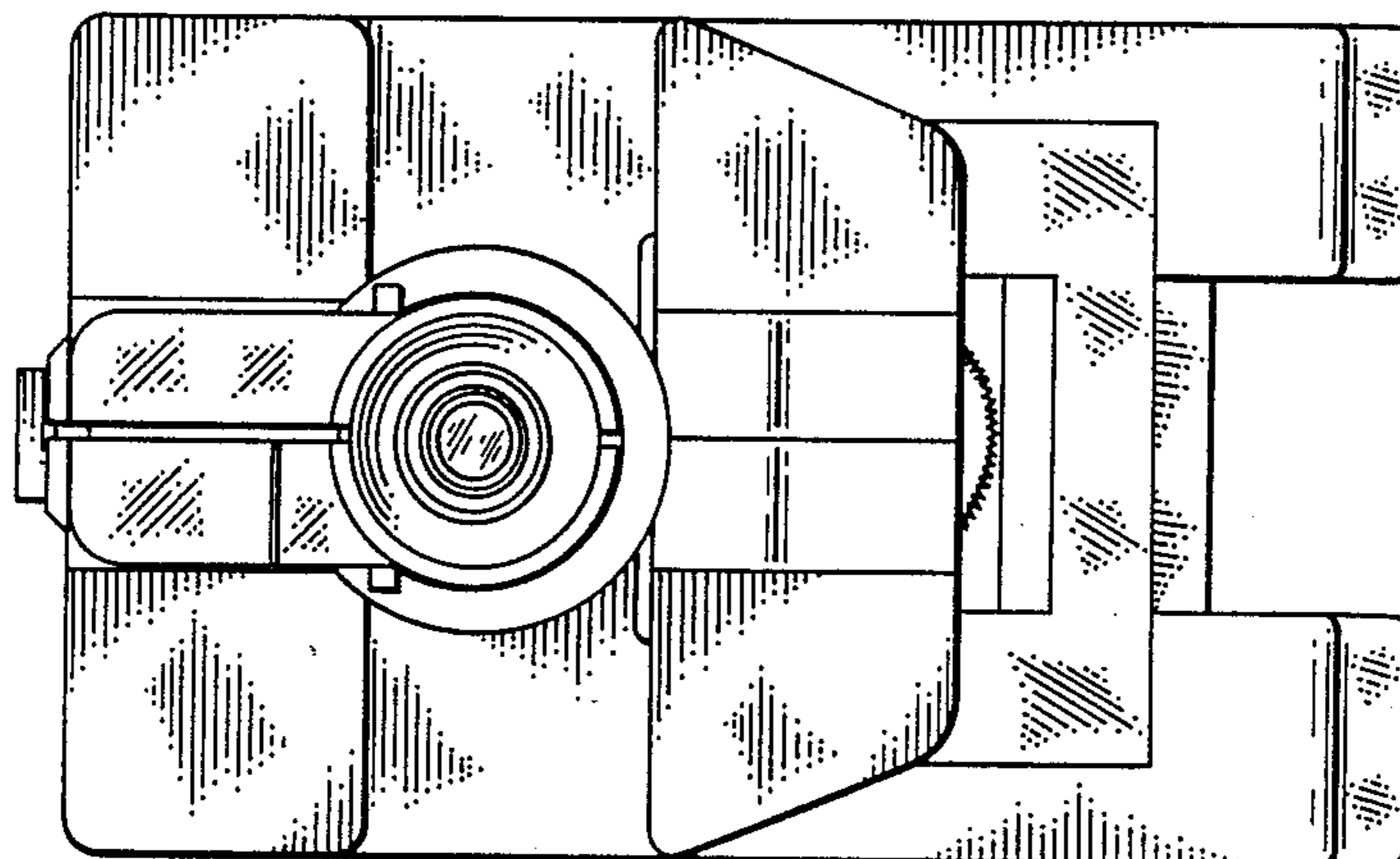


FIG. 5

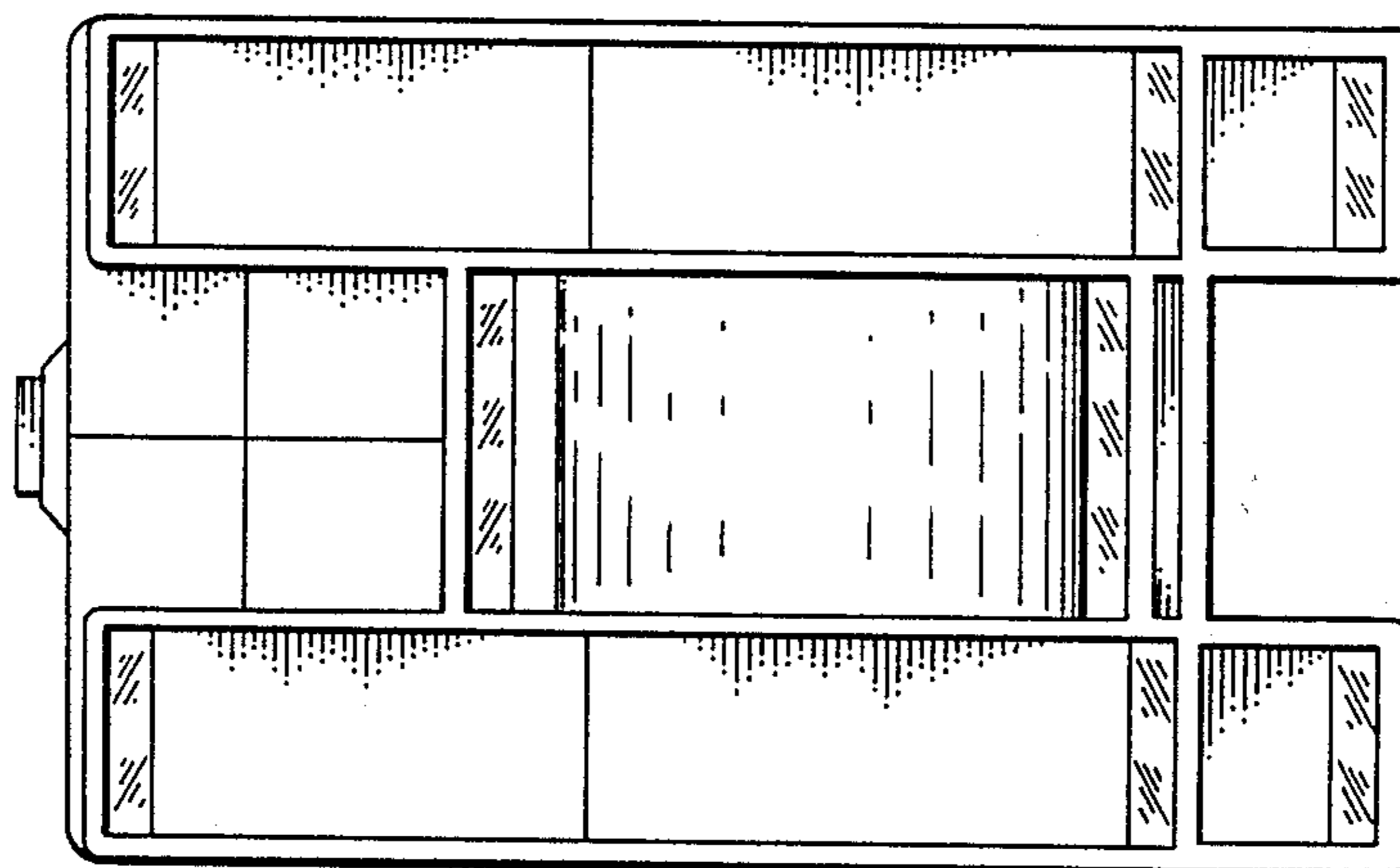


FIG. 6