

[54] **CONDUIT AND TUBE BENDER HOUSING**  
 [75] **Inventors: Larry G. Adleman, Rockford; Vernon W. Wanner, Belvidere, both of Ill.**  
 [73] **Assignee: Greenlee Textron, Inc., Rockford, Ill.**  
 [\*\*] **Term: 14 Years**  
 [21] **Appl. No.: 879,235**  
 [22] **Filed: Jun. 26, 1986**  
 [52] **U.S. Cl. .... D15/123**  
 [58] **Field of Search ..... D15/123; 72/149, 157, 72/369**

3,949,584 4/1976 Pearson et al. .... 72/149  
 4,558,583 12/1985 Shaw et al. .... 72/157

*Primary Examiner*—B. J. Bullock  
*Attorney, Agent, or Firm*—R. A. Giangiorgi

[57] **CLAIM**

The ornamental design for a conduit and tubing bender housing, as shown and described.

**DESCRIPTION**

FIG. 1 is a front, left perspective view of a conduit and tubing bender housing showing our new design;  
 FIG. 2 is a rear, right perspective view thereof;  
 FIG. 3 is an enlarged top plan view thereof;  
 FIG. 4 is an enlarged front elevational view thereof;  
 FIG. 5 is an enlarged right side elevational view thereof, the side opposite being a mirror image;  
 FIG. 6 is an enlarged rear elevational view thereof.

[56] **References Cited**

**U.S. PATENT DOCUMENTS**

D. 242,948 1/1977 Grimaldo et al. .... D15/123  
 3,417,590 12/1968 Ensley ..... 72/157

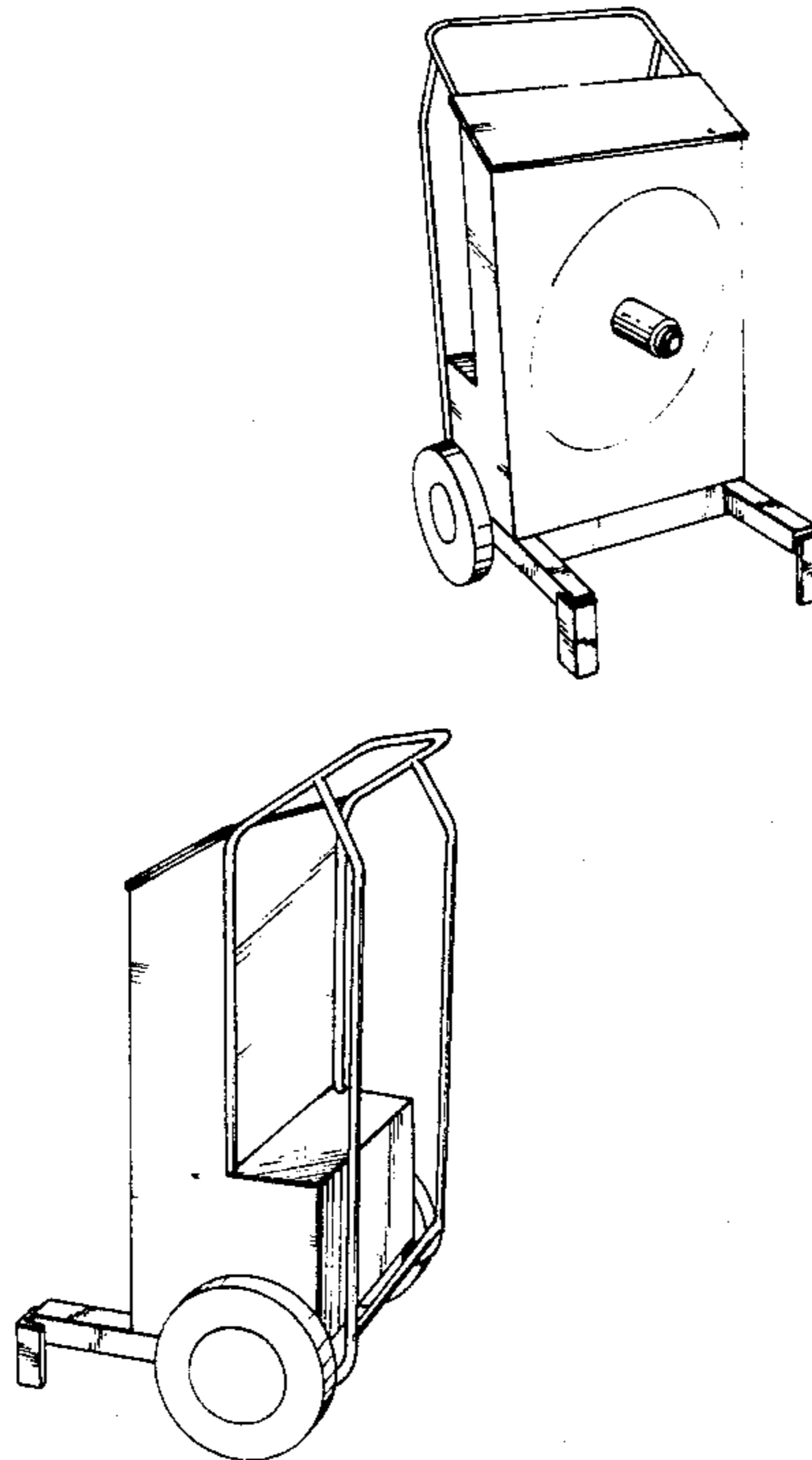


FIG. 1

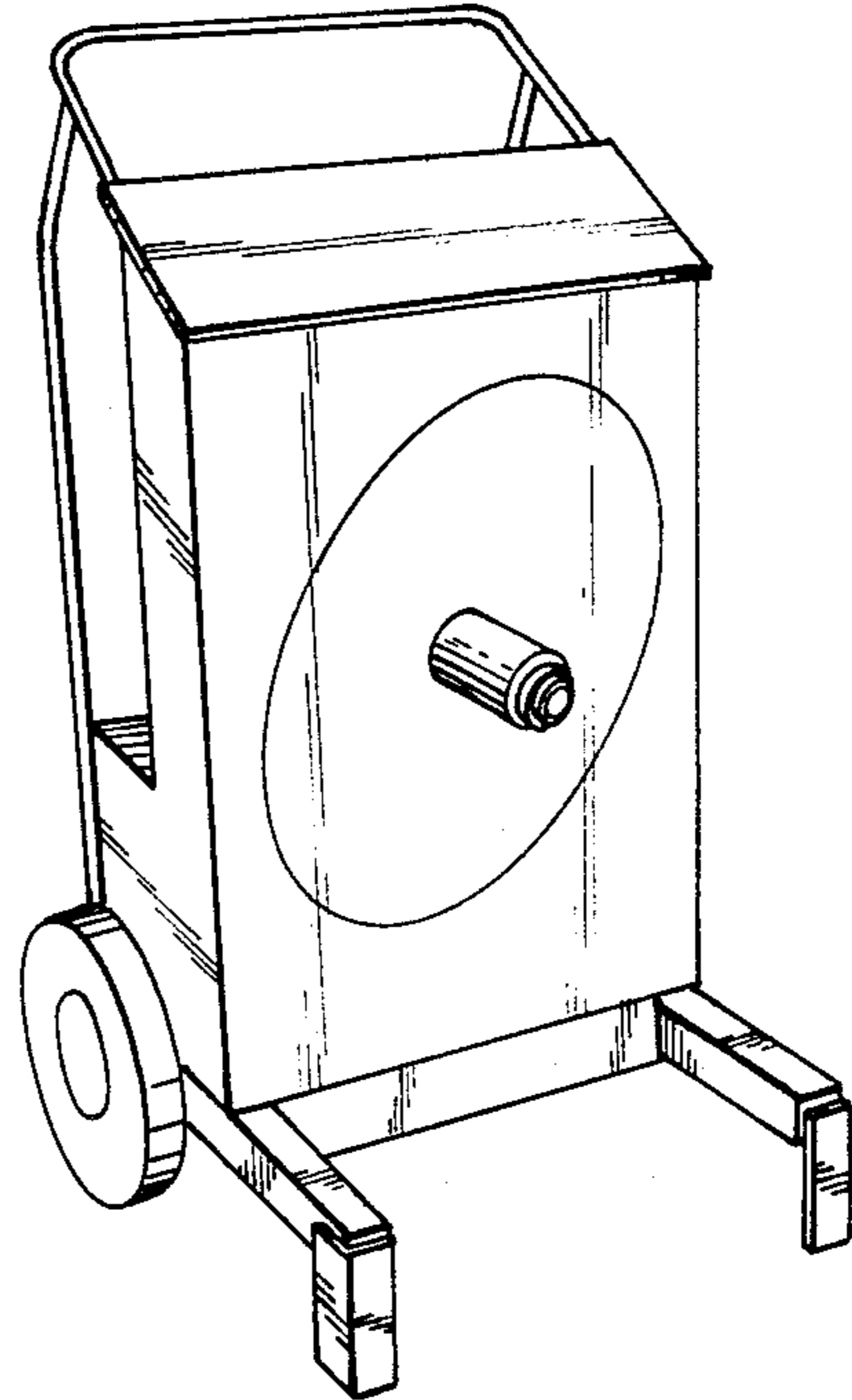


FIG. 2

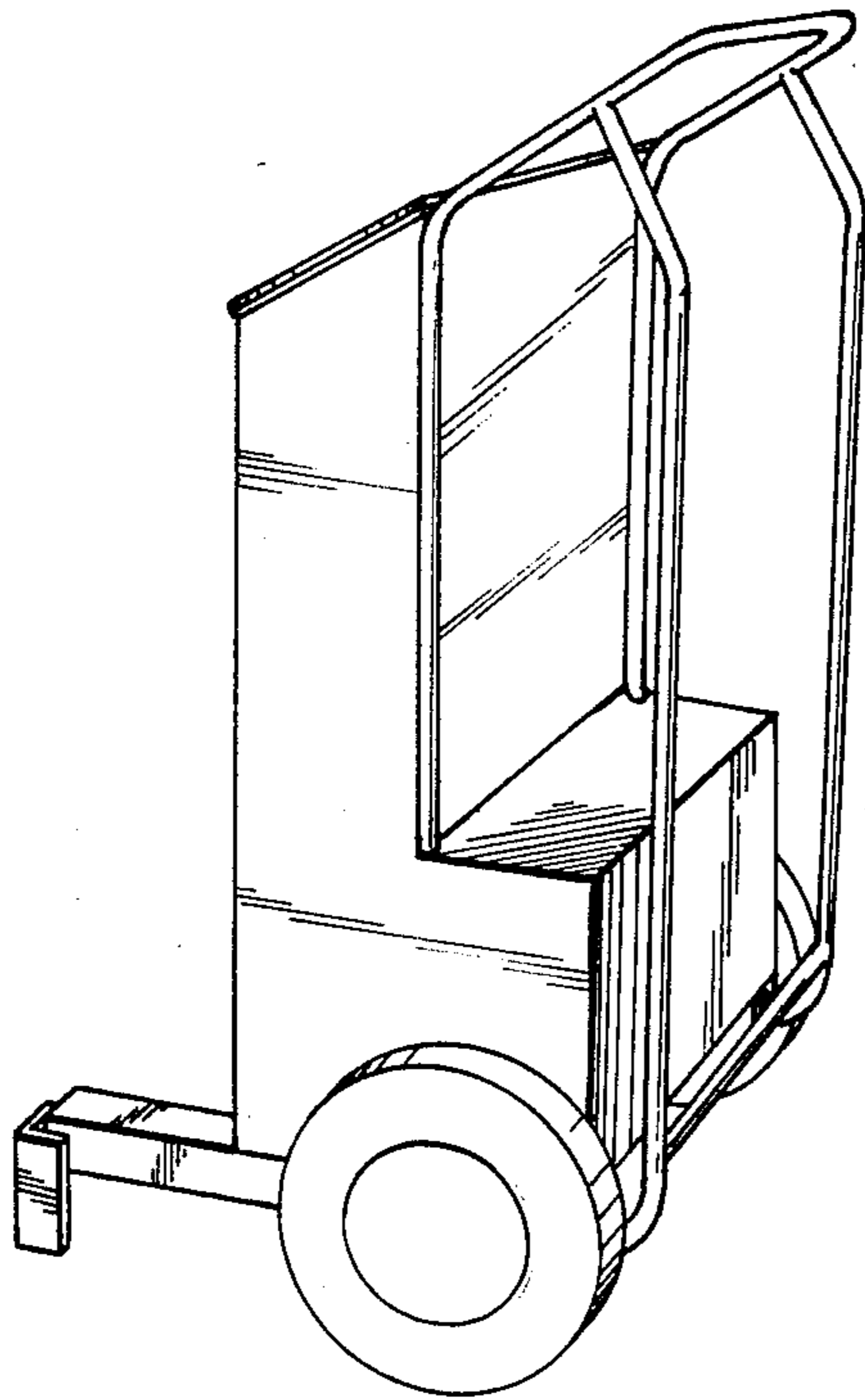


FIG. 3

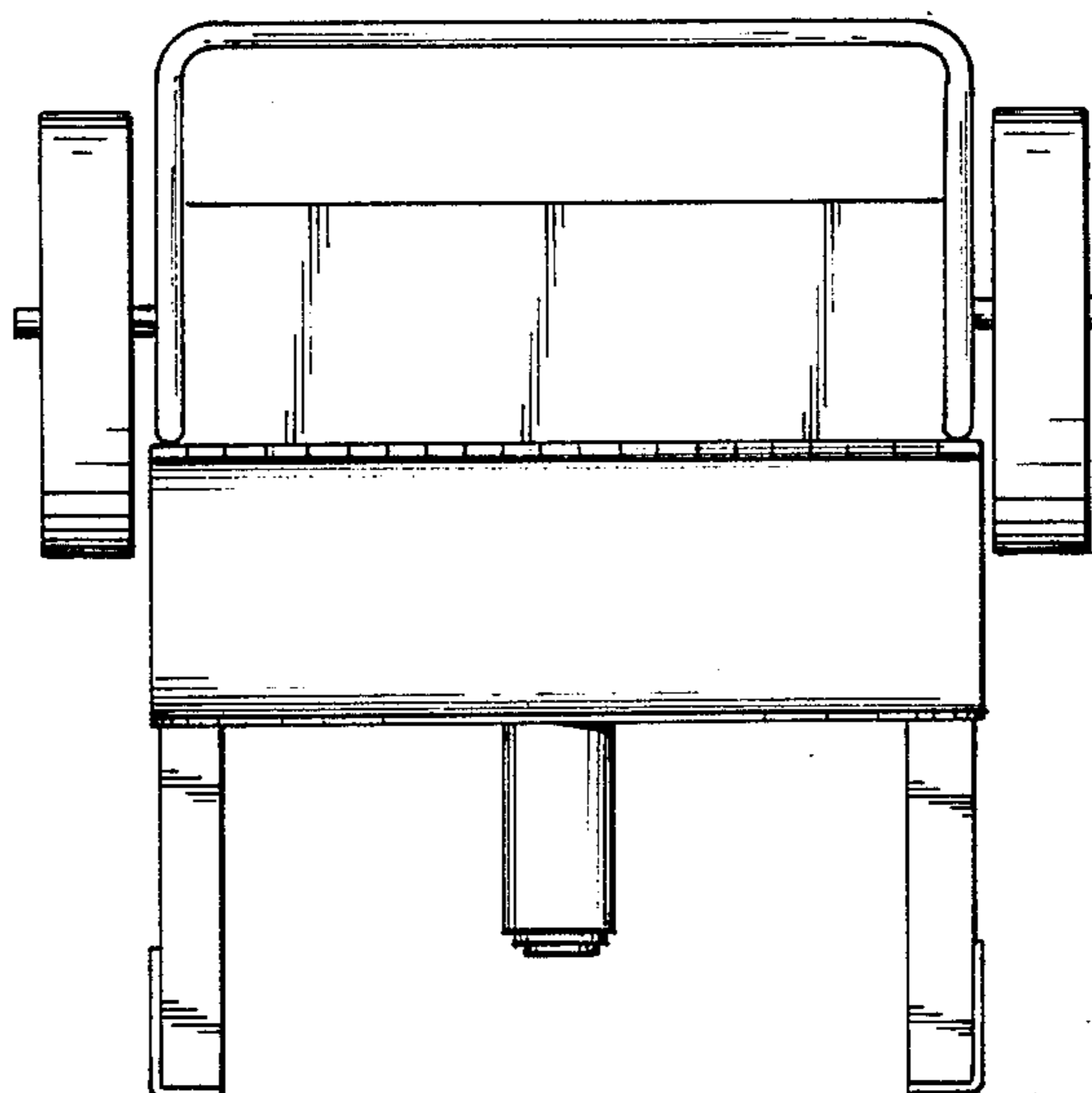


FIG. 4

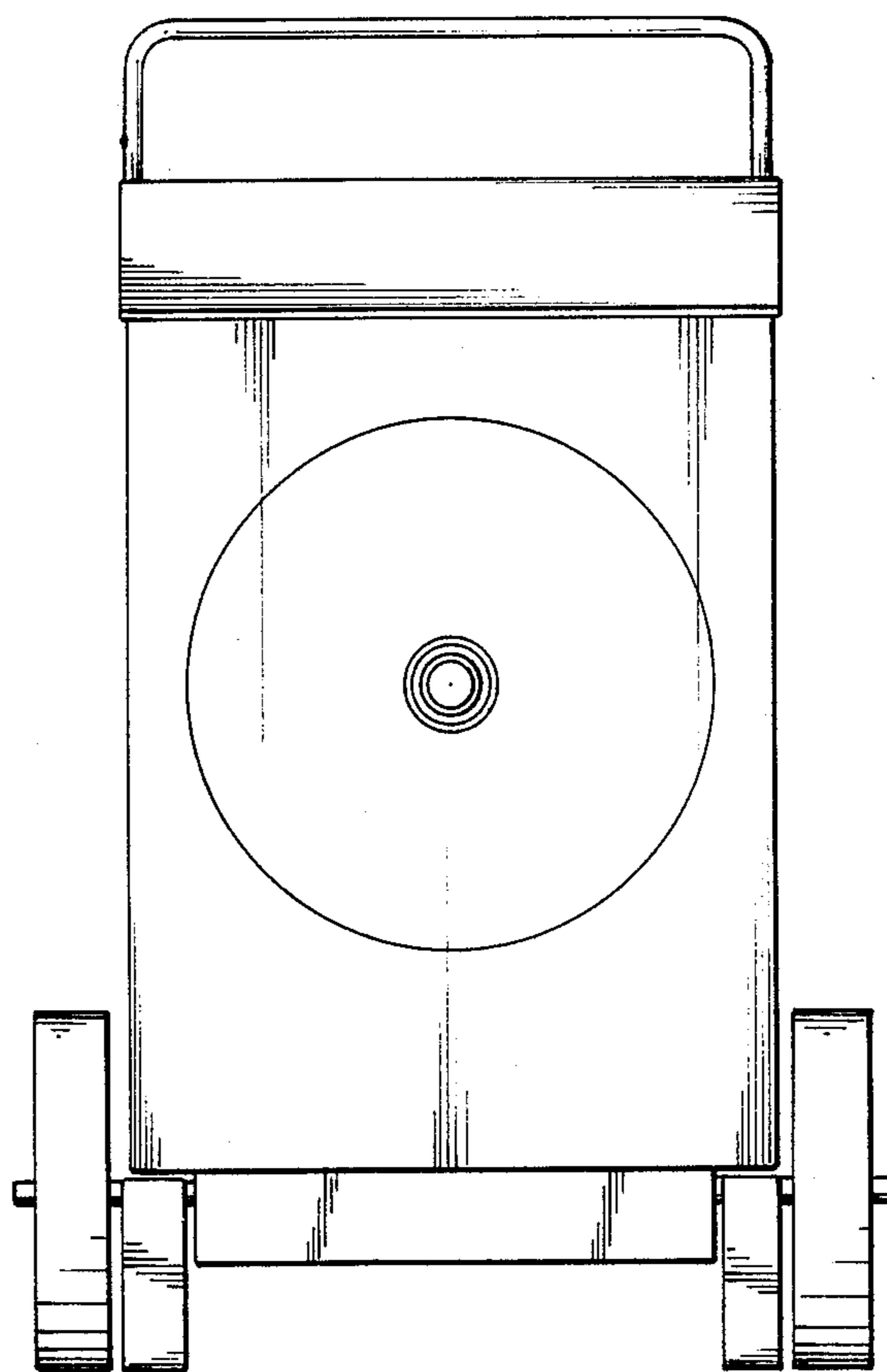


FIG. 6

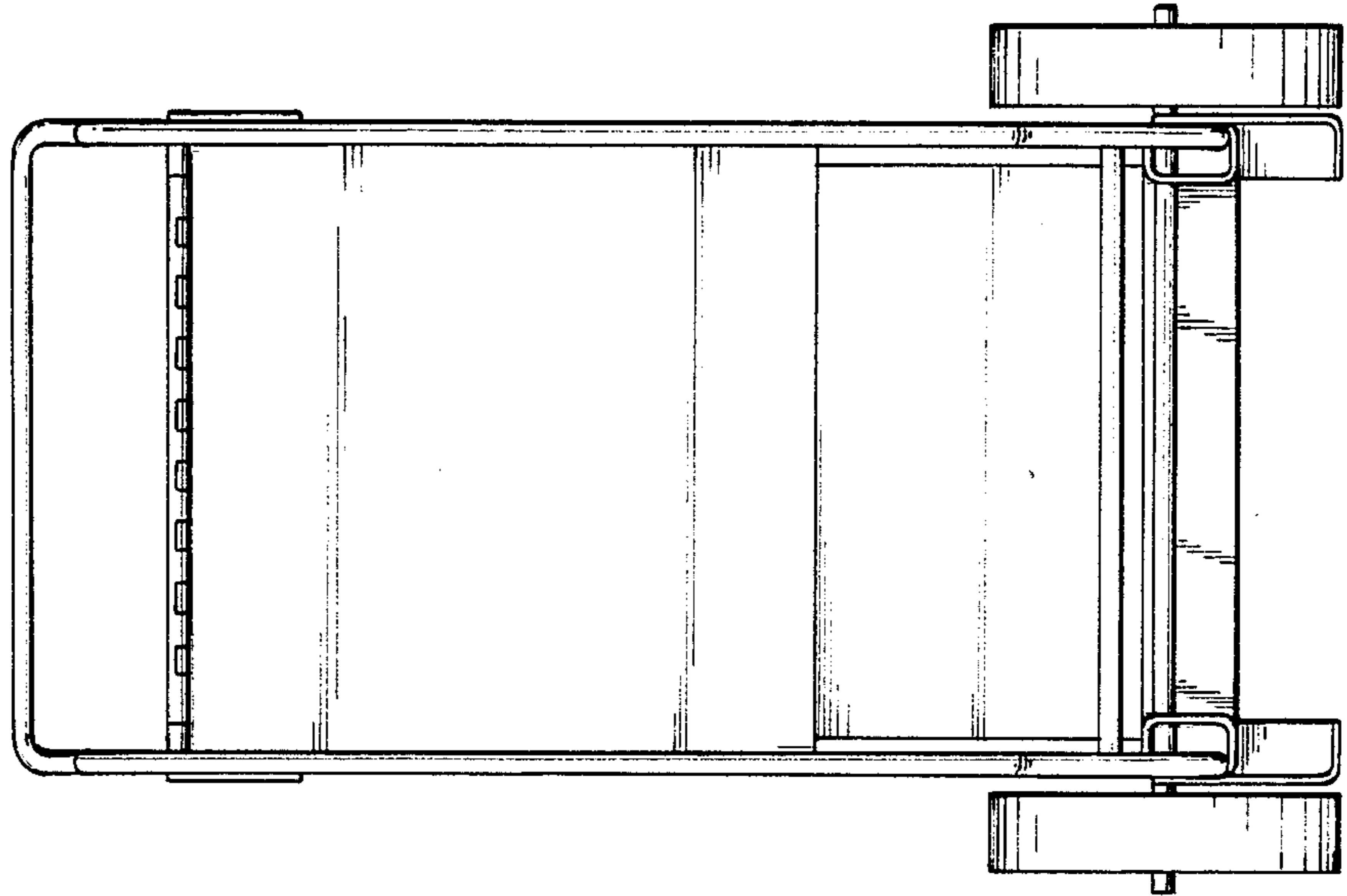


FIG. 5

