

United States Patent [19]

Lanphere et al.

[11] Patent Number: **Des. 304,589**

[45] Date of Patent: **** Nov. 14, 1989**

[54] **TRACTOR CAB**

[75] Inventors: **Ralph C. Lanphere, Racine, Wis.;**
Gregg C. Montgomery, Hinsdale, Ill.

[73] Assignee: **J. I. Case Company, Racine, Wis.**

[**] Term: **14 Years**

[21] Appl. No.: **73,202**

[22] Filed: **Aug. 19, 1987**

[52] U.S. Cl. **D15/30**

[58] Field of Search **D15/10, 15, 23, 25,**
D15/30-33; 180/89.12, 69.2, 69.22, 69.24,
69.25; 56/244, 249, 255-257, 264, 13.3-13.4,
DIG. 22; D12/96; 296/190

[56] **References Cited**

U.S. PATENT DOCUMENTS

D. 225,521 12/1972 Lorenz D15/23
D. 245,983 10/1977 Stone et al. D15/30
D. 256,364 8/1980 Kuhn D15/30
D. 256,801 9/1980 Skyer et al. D15/23

D. 258,823 4/1981 Skyer et al. D15/30
D. 277,861 3/1985 Sieren D15/23
D. 297,329 8/1988 Monehaie et al. D15/30

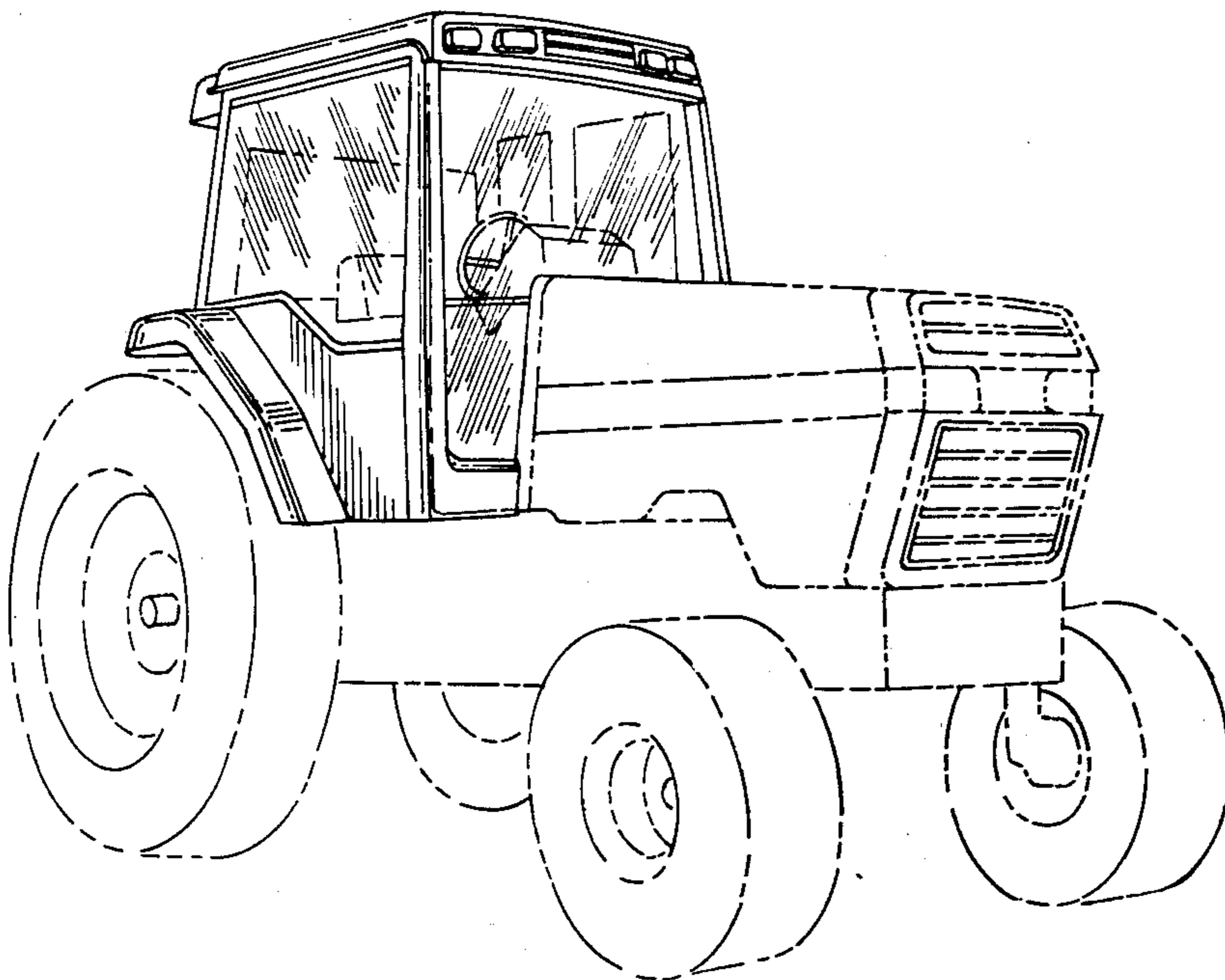
Primary Examiner—Bruce W. Dunkins
Assistant Examiner—Ruth Takemoto
Attorney, Agent, or Firm—Dressler, Goldsmith, Shore,
Sutker & Milnamow, Ltd.

[57] **CLAIM**

The ornamental design for a tractor cab, as shown and described.

DESCRIPTION

FIG. 1 is a front and right side perspective view of a tractor cab showing our new design;
FIG. 2 is a front elevational view thereof;
FIG. 3 is a right side elevational view thereof;
FIG. 4 is a top plan view thereof;
FIG. 5 is a front elevational view thereof; and
FIG. 6 is a left side elevational view thereof.
The portion of the tractor shown in broken lines in FIGS. 1-4 is for illustrative purposes only and forms no part of the claimed design.



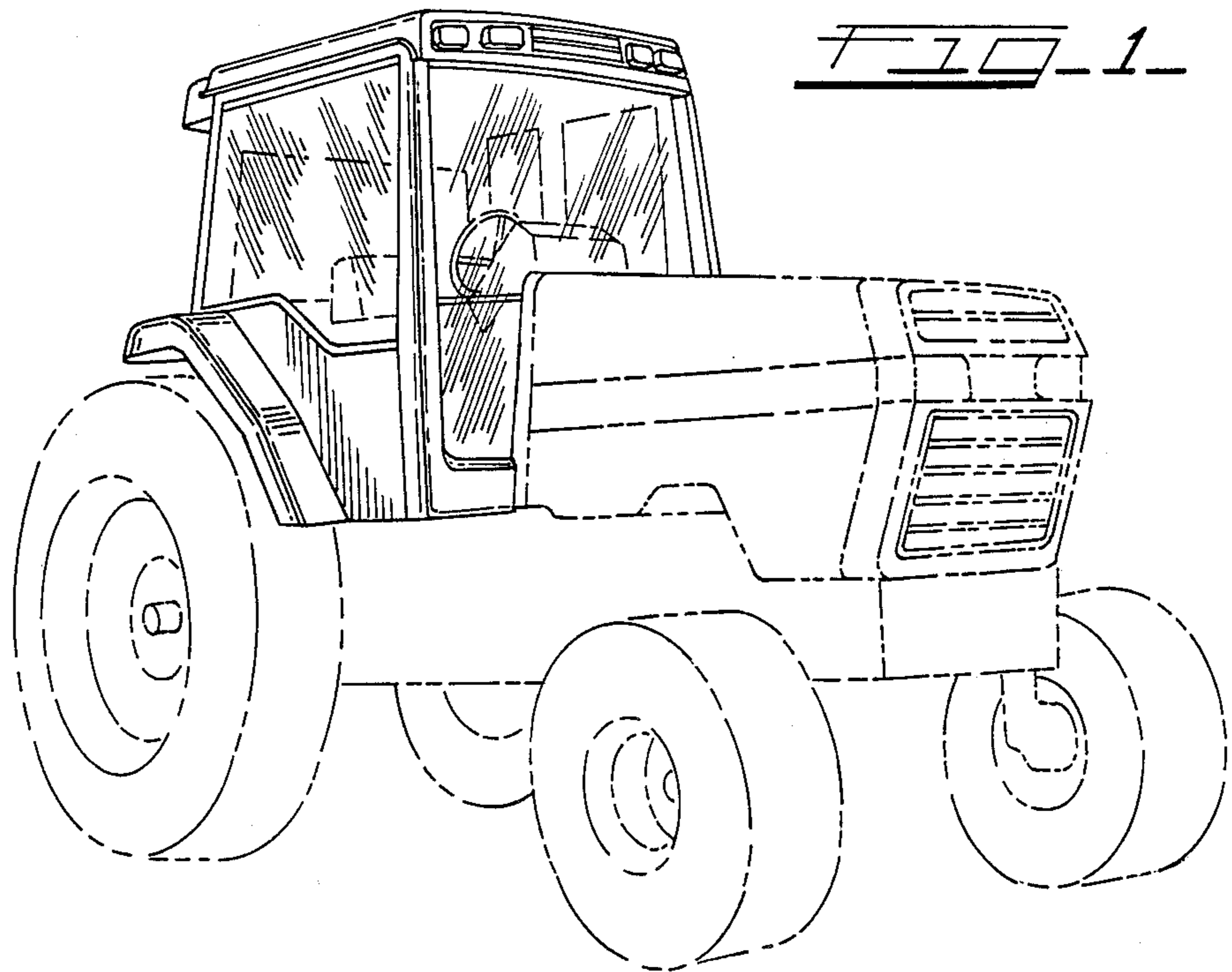


FIG. 1

FIG. 2

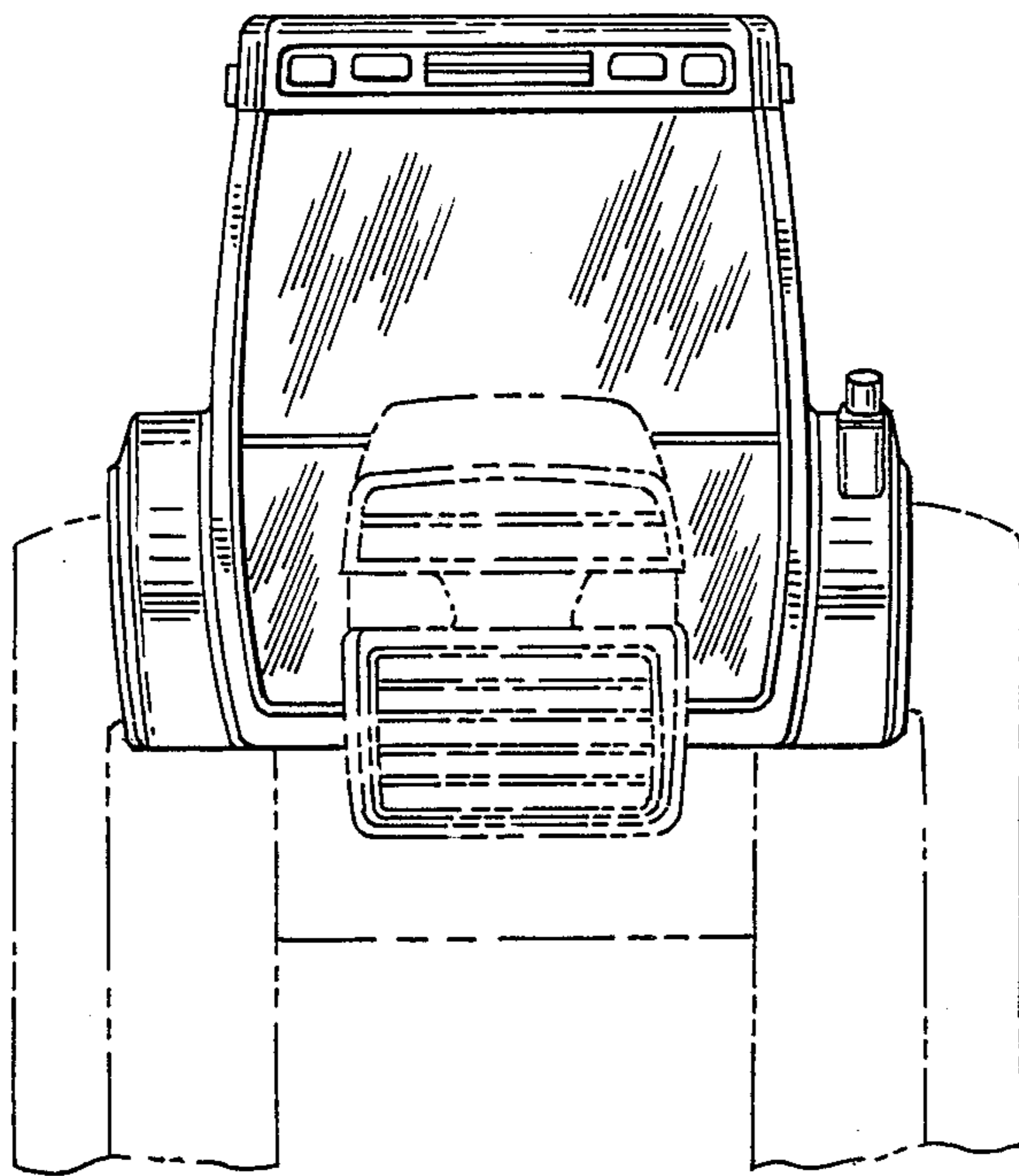


FIG. 3

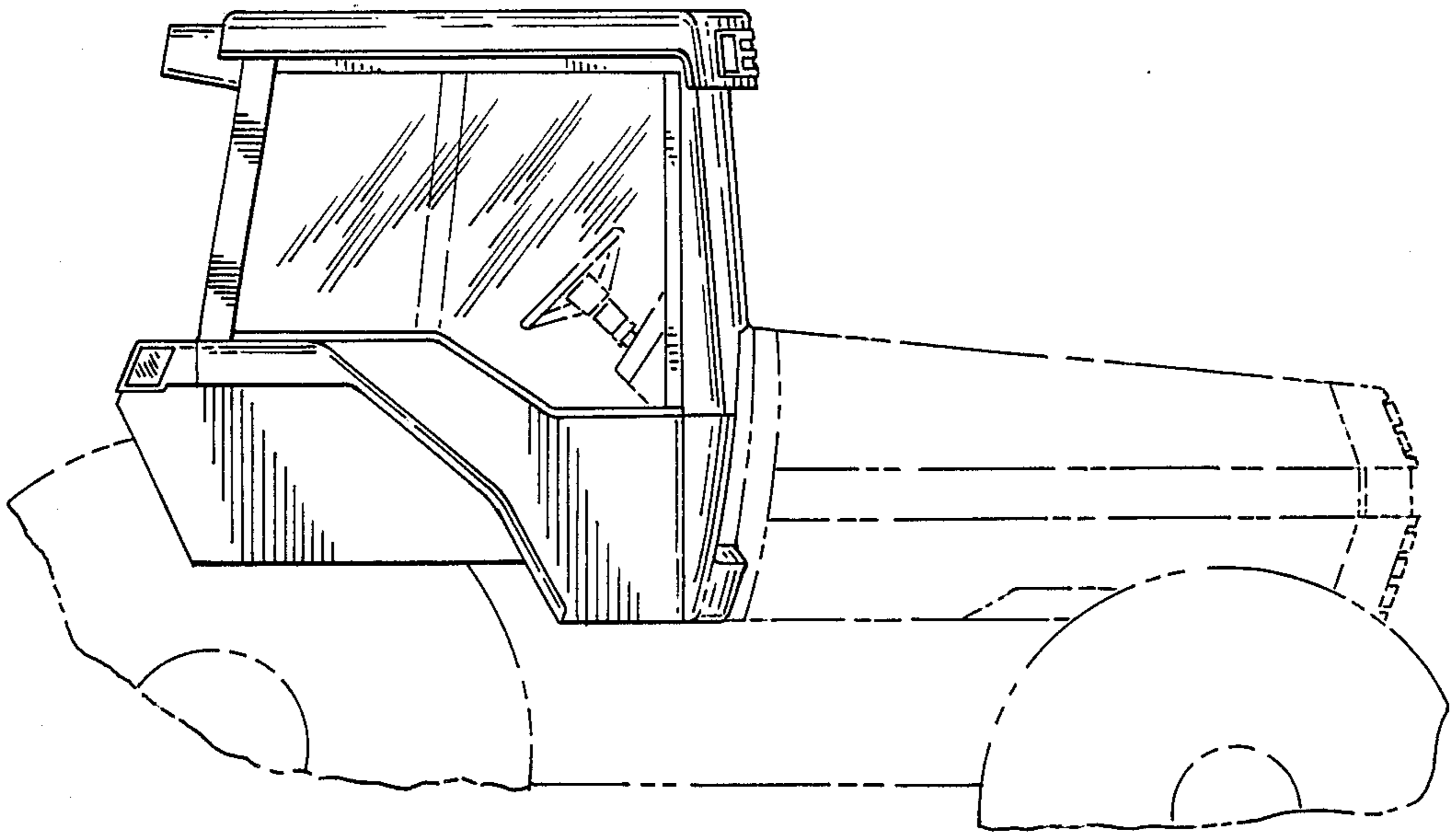


FIG. 4

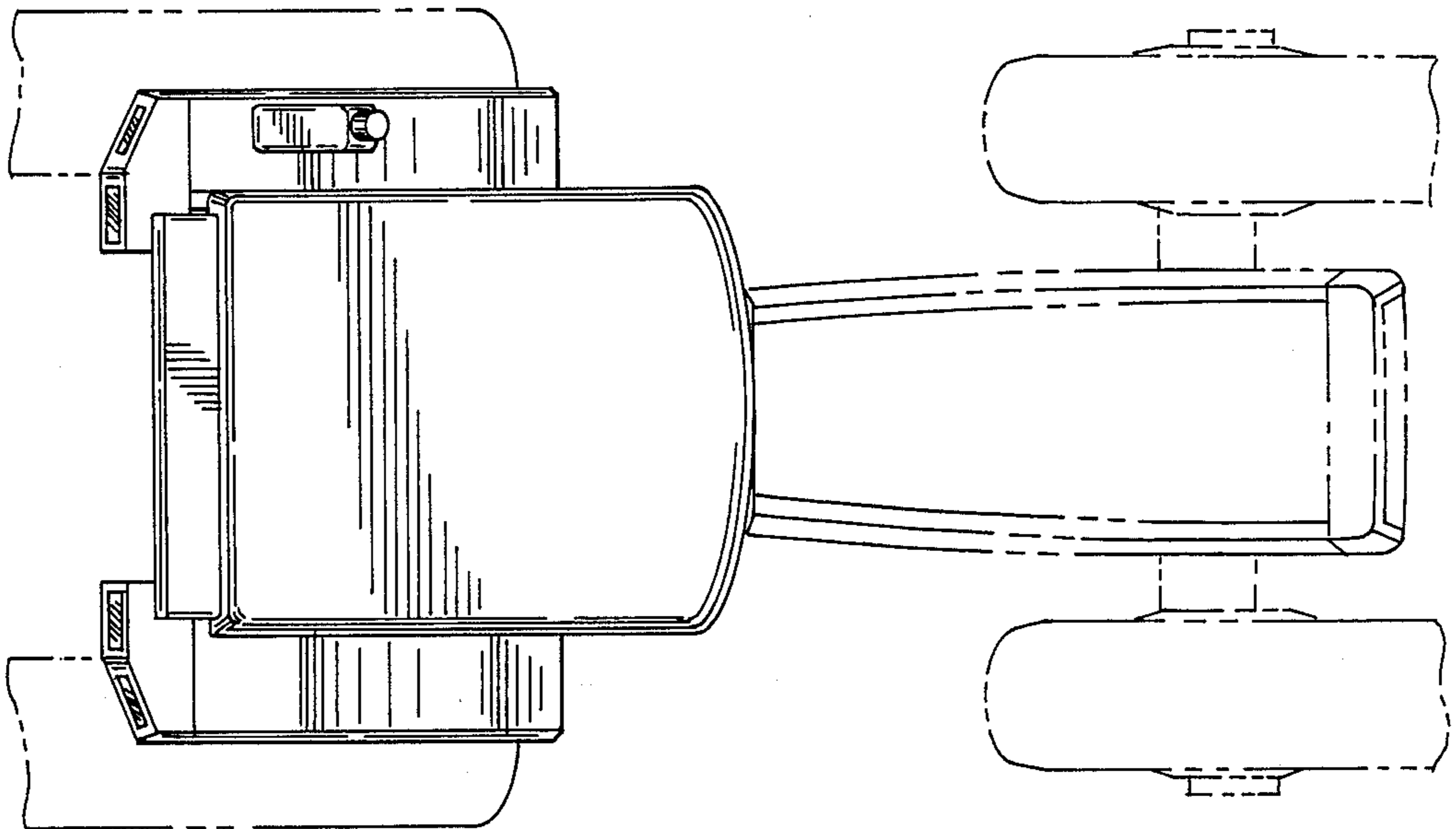


FIG. 5

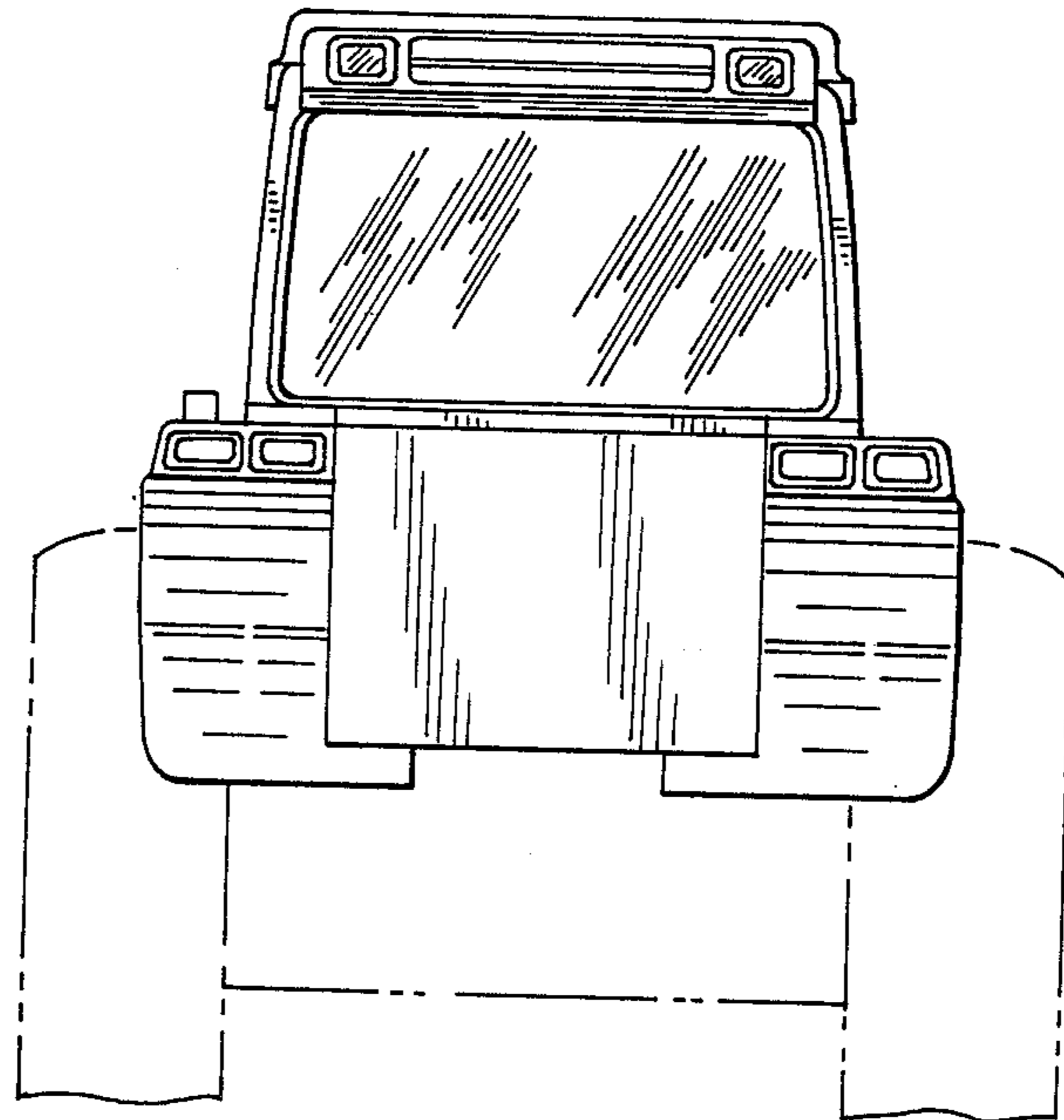


FIG. 6

