

[54] MAGNETIC TAPE CASSETTE
[75] Inventor: Haruyuki Enomoto, Yamato, Japan
[73] Assignee: Sony Corporation, Tokyo, Japan
[**] Term: 14 Years
[21] Appl. No.: 879,371
[22] Filed: Jun. 27, 1986

4,642,721 2/1987 Georgens et al. 242/198 X
4,683,511 7/1987 Kara 242/198 X

Primary Examiner—B. J. Bullock
Assistant Examiner—Theodore M. Shooman
Attorney, Agent, or Firm—Lewis H. Eslinger; Jay H. Maioli

[30] Foreign Application Priority Data
Jan. 31, 1986 [JP] Japan 61-3244
[52] U.S. Cl. D14/121
[58] Field of Search D14/115, 120, 121, 122;
242/71.8, 197, 198, 199

[57] CLAIM
The ornamental design for a magnetic tape cassette, as shown and described.

[56] References Cited
U.S. PATENT DOCUMENTS
D. 268,671 4/1983 Ohya et al. D14/121
D. 289,637 5/1987 Ohya et al. D14/121
D. 296,780 7/1988 Kinoshita D14/121

DESCRIPTION
FIG. 1 is a top, front, and right-side perspective view of a magnetic tape cassette showing my new design; FIG. 2 is a top, rear, and left-side perspective view thereof; FIG. 3 is a front elevational view thereof; FIG. 4 is a rear elevational view thereof; FIG. 5 is a left-side elevational view thereof; FIG. 6 is a right-side elevational view thereof; FIG. 7 is a top plan view thereof; and FIG. 8 is a bottom plan view thereof.

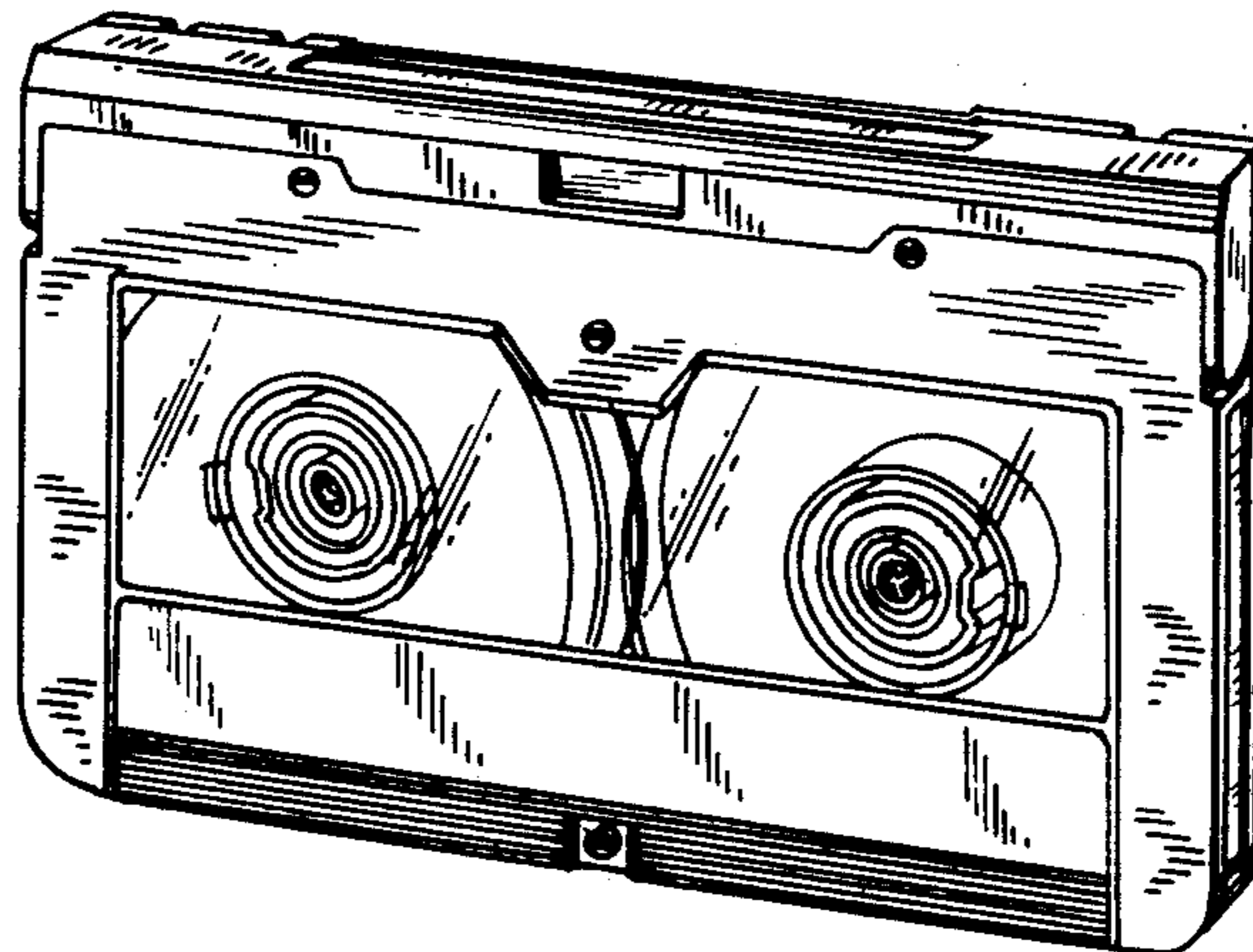


FIG. 1

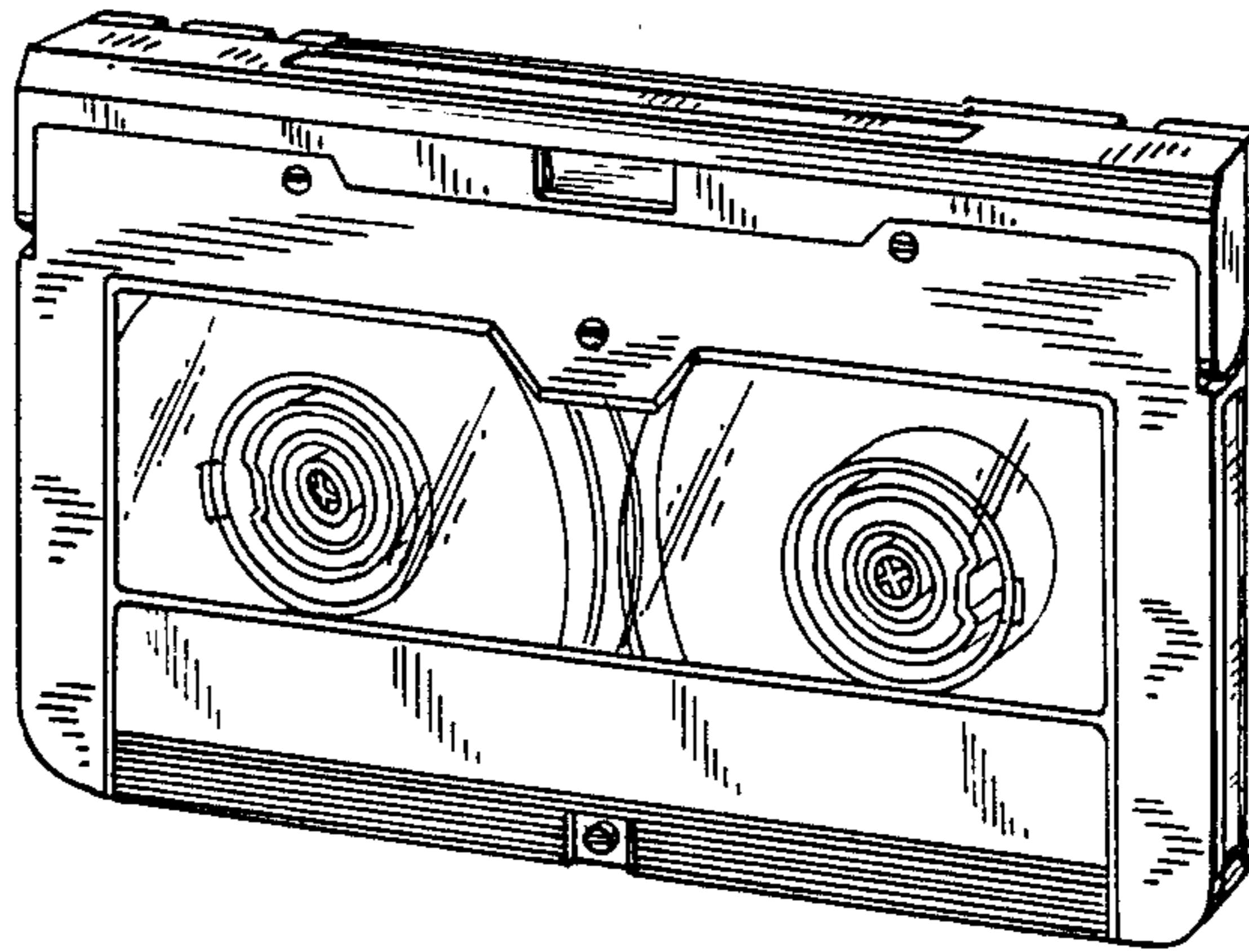


FIG. 2

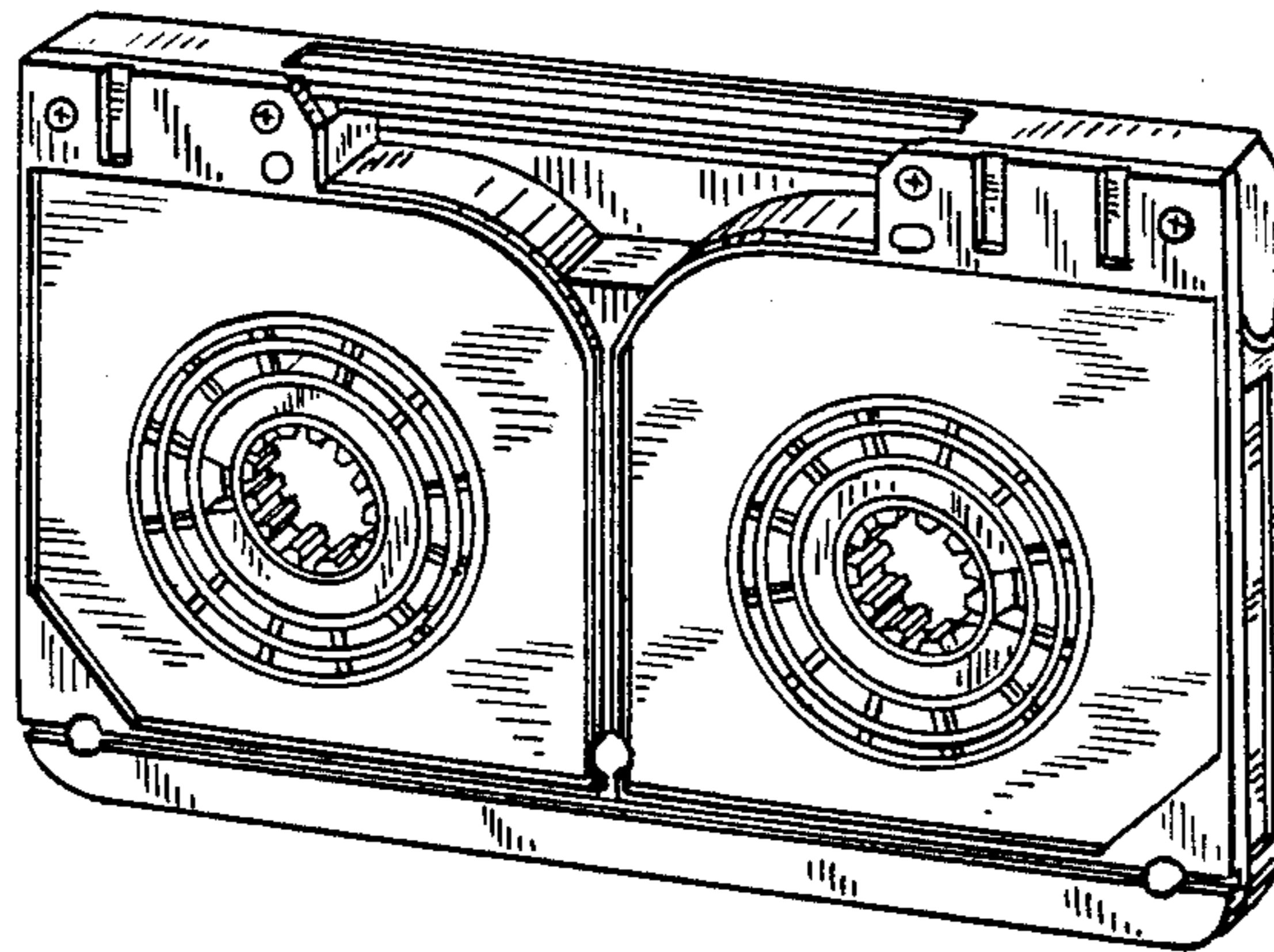


FIG. 3

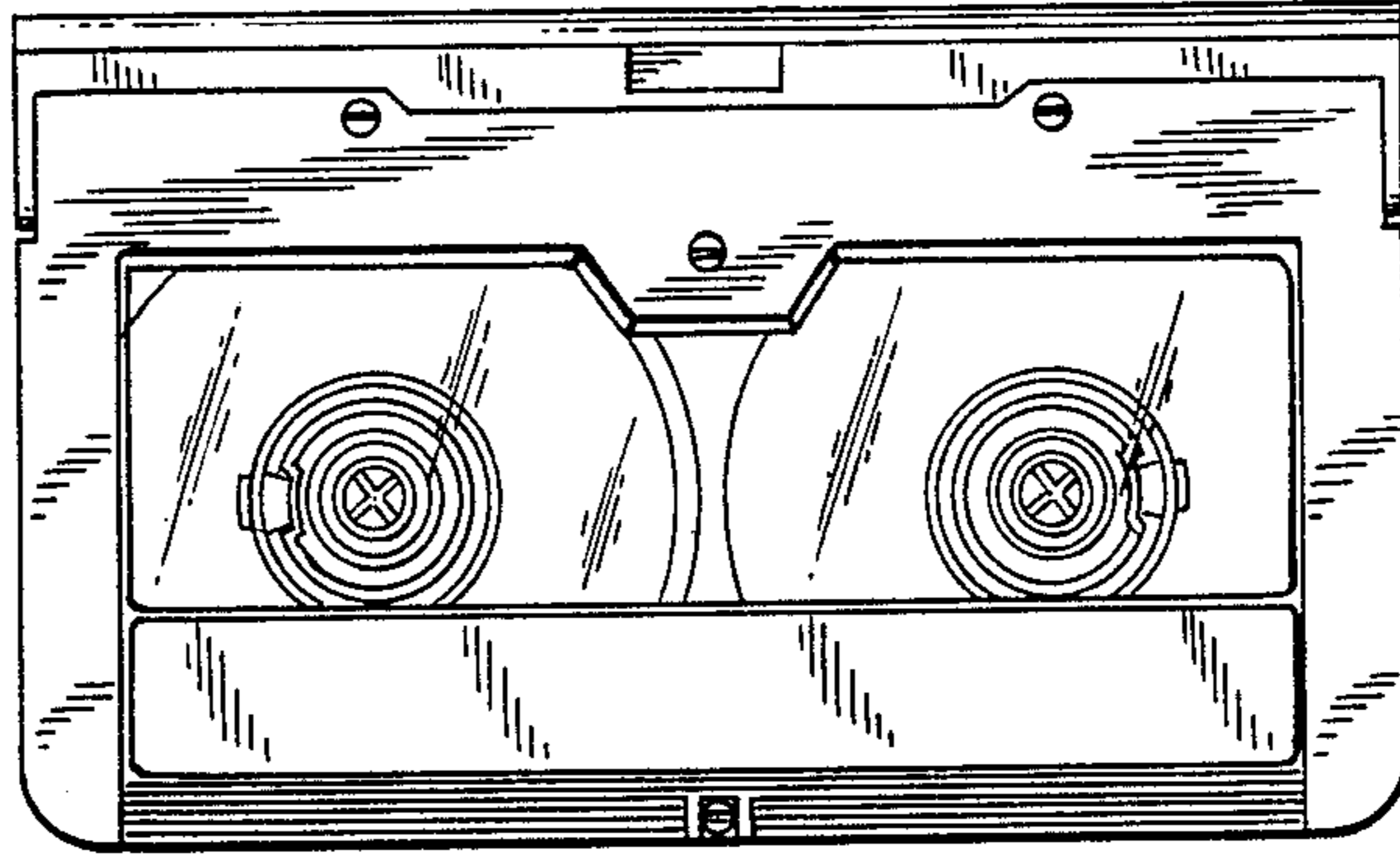


FIG. 4

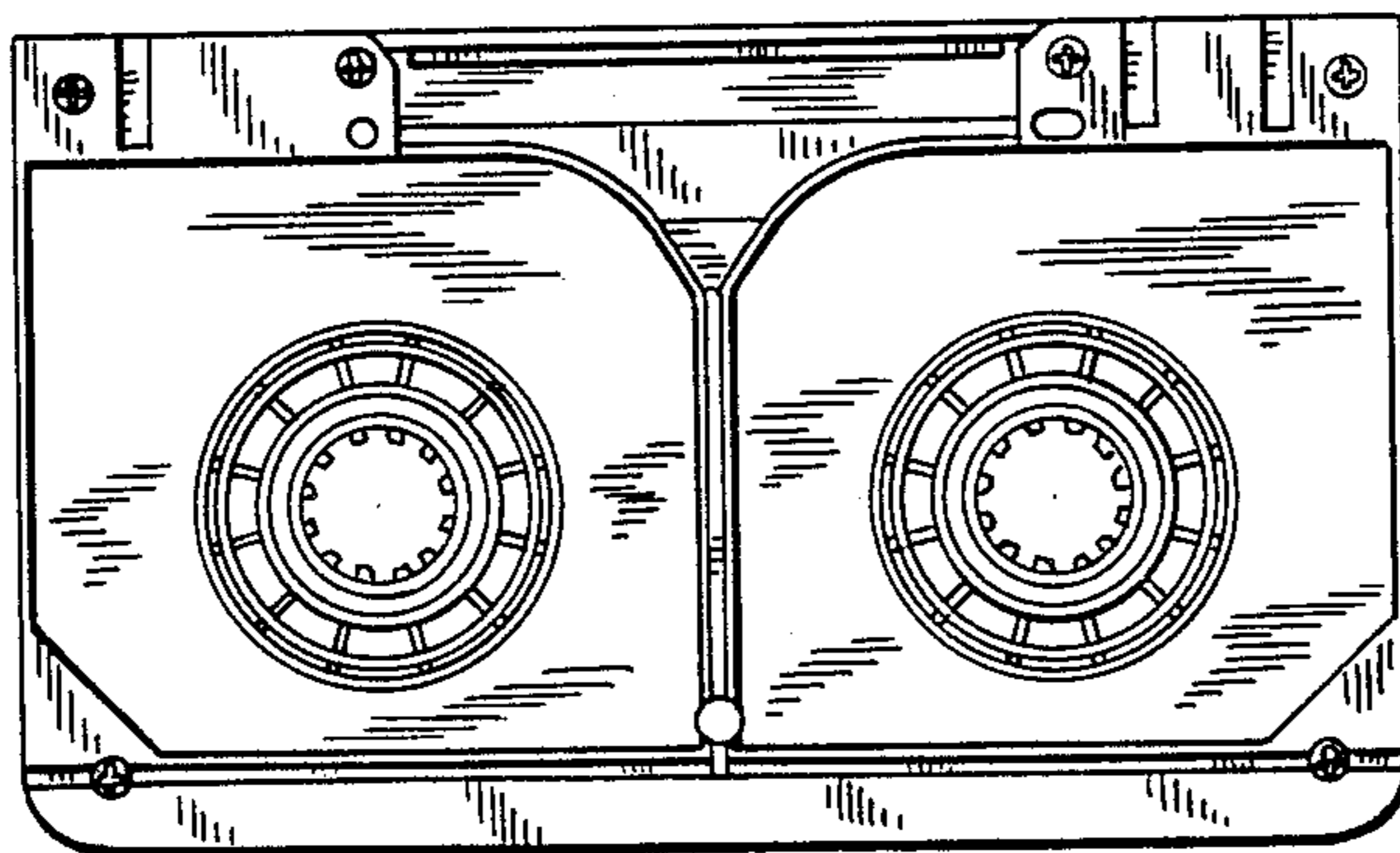


FIG. 5



FIG. 6



FIG. 7

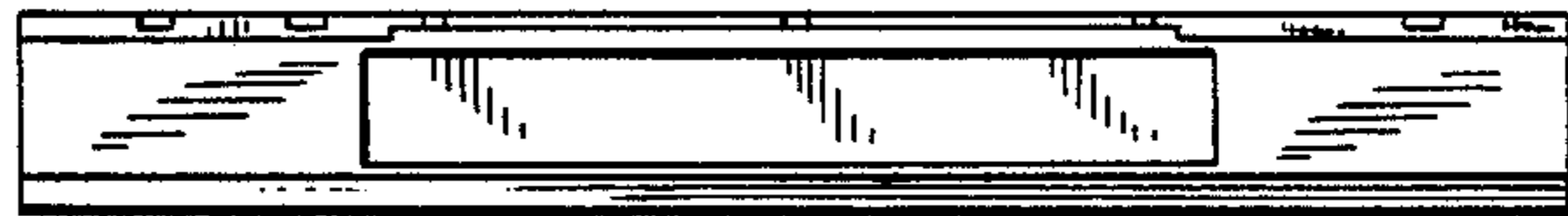


FIG. 8

