

[54] **FOUR WHEEL DRIVE VEHICLE  
CONVERTIBLE TOP**

[76] **Inventor: Charles F. Furphy, 2136 Via Teca  
St., San Clemente, Calif. 92672**

[\*\*] **Term: 14 Years**

[21] **Appl. No.: 43,231**

[22] **Filed: Apr. 27, 1987**

[52] **U.S. Cl. .... D12/156**

[58] **Field of Search ..... D12/156; 296/3, 10,  
296/98, 99.1, 100, 102, 105, 210**

[56] **References Cited**

**U.S. PATENT DOCUMENTS**

D. 194,182 12/1962 Young et al. .... D12/156

**OTHER PUBLICATIONS**

J. C. Whitney Catalog No. 479j, p. 84, Deluxe Soft Top for Toyota 4-Runner, upper center of page.

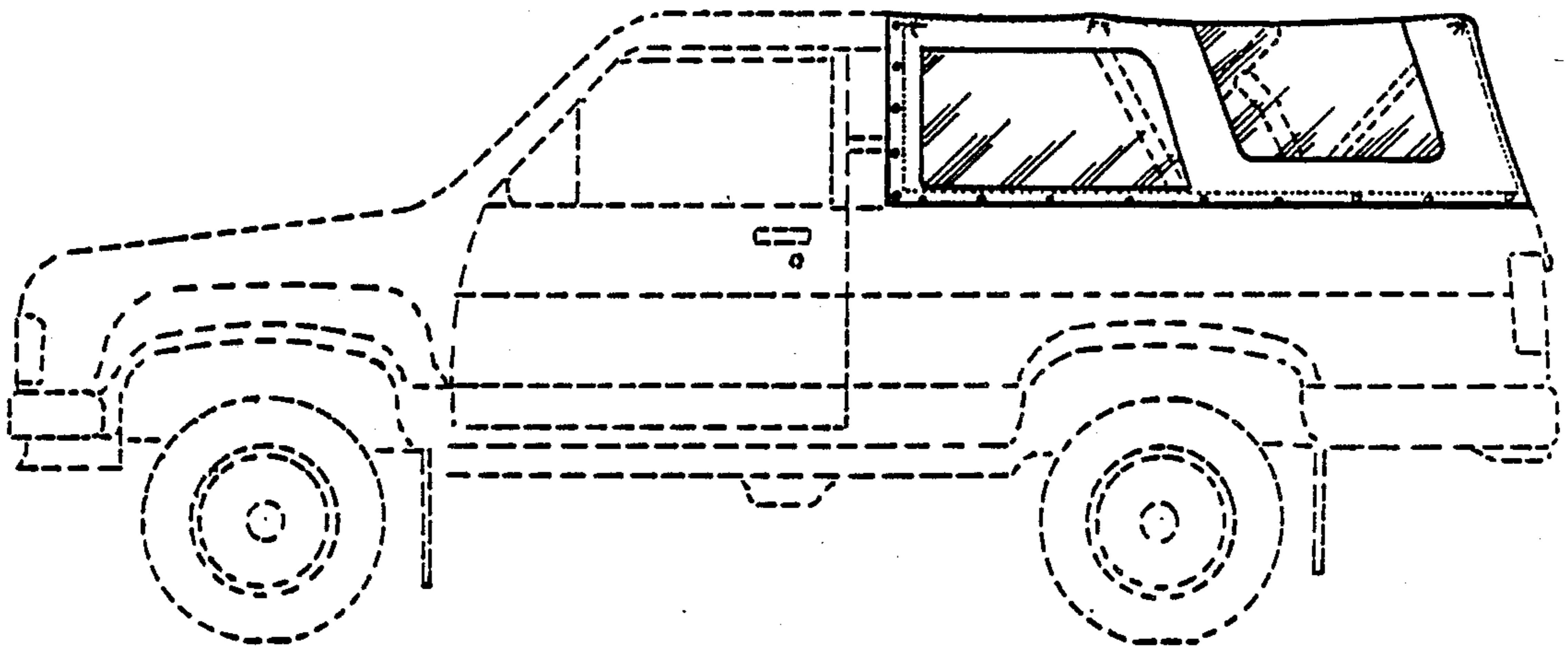
*Primary Examiner*—James M. Gandy  
*Attorney, Agent, or Firm*—Gordon K. Anderson

[57] **CLAIM**

The ornamental design for a four wheel drive vehicle convertible top, as shown and described.

**DESCRIPTION**

FIG. 1 is a left side elevation view of a four wheel drive vehicle convertible top showing my new design it being understood that the broken lines are for illustrative purposes only and form no part of the claimed design. FIG. 2 is an enlarged left side elevation view thereof. FIG. 3 is an enlarged right side elevation view thereof. FIG. 4 is an enlarged rear view thereof. FIG. 5 is an enlarged top plan view thereof. FIG. 6 is an enlarged front elevation view thereof.



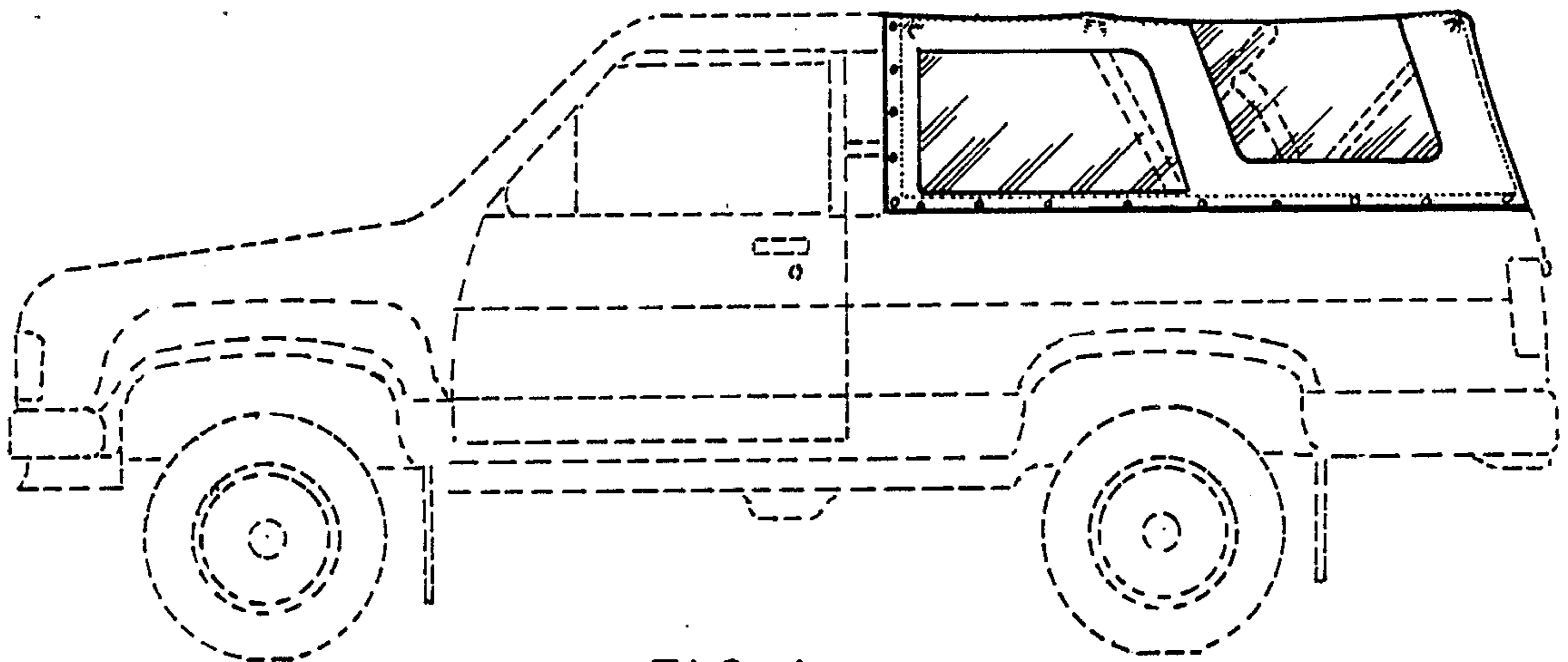


FIG. 1

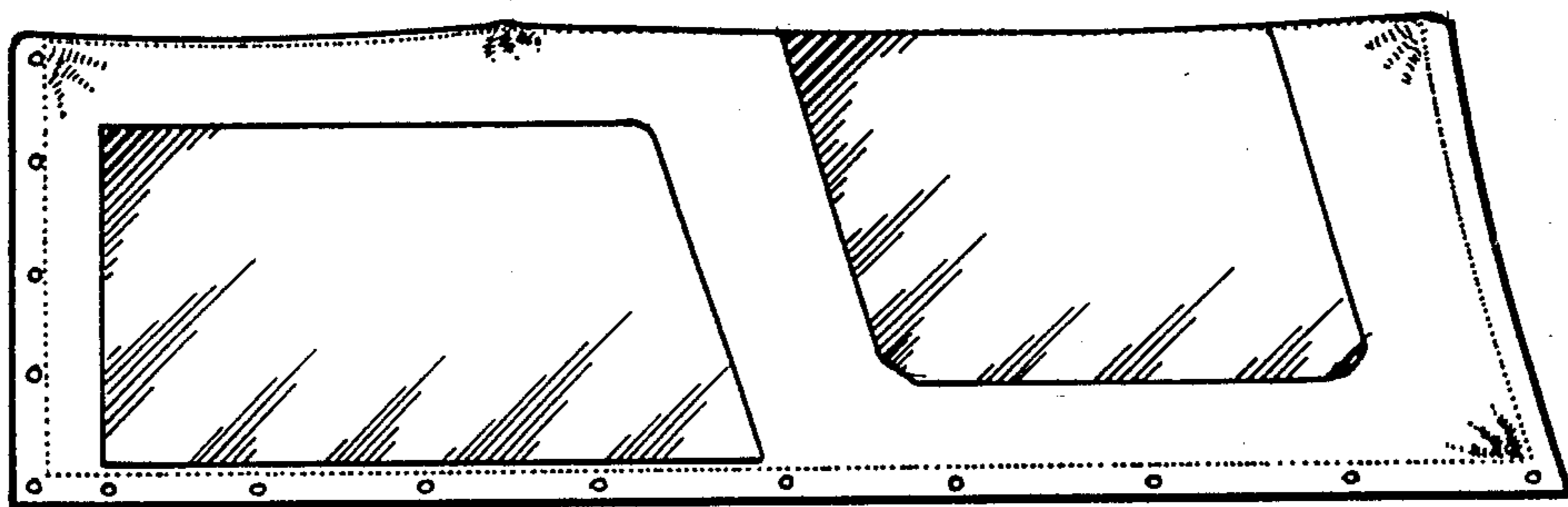


FIG. 2

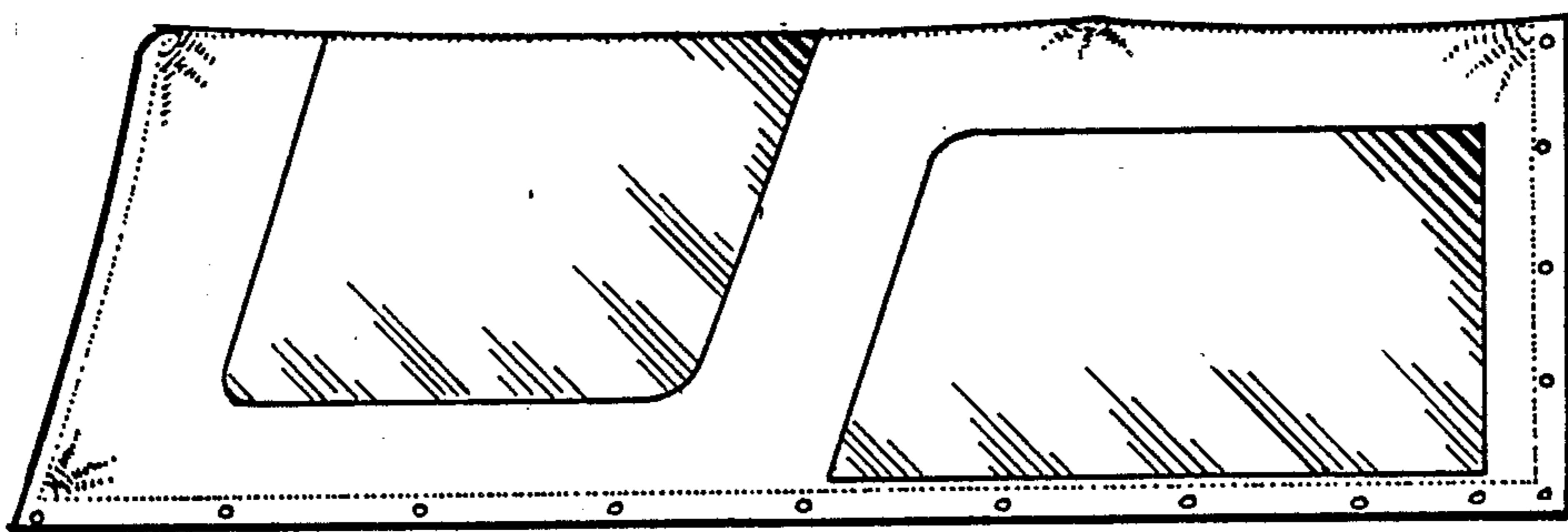


FIG. 3

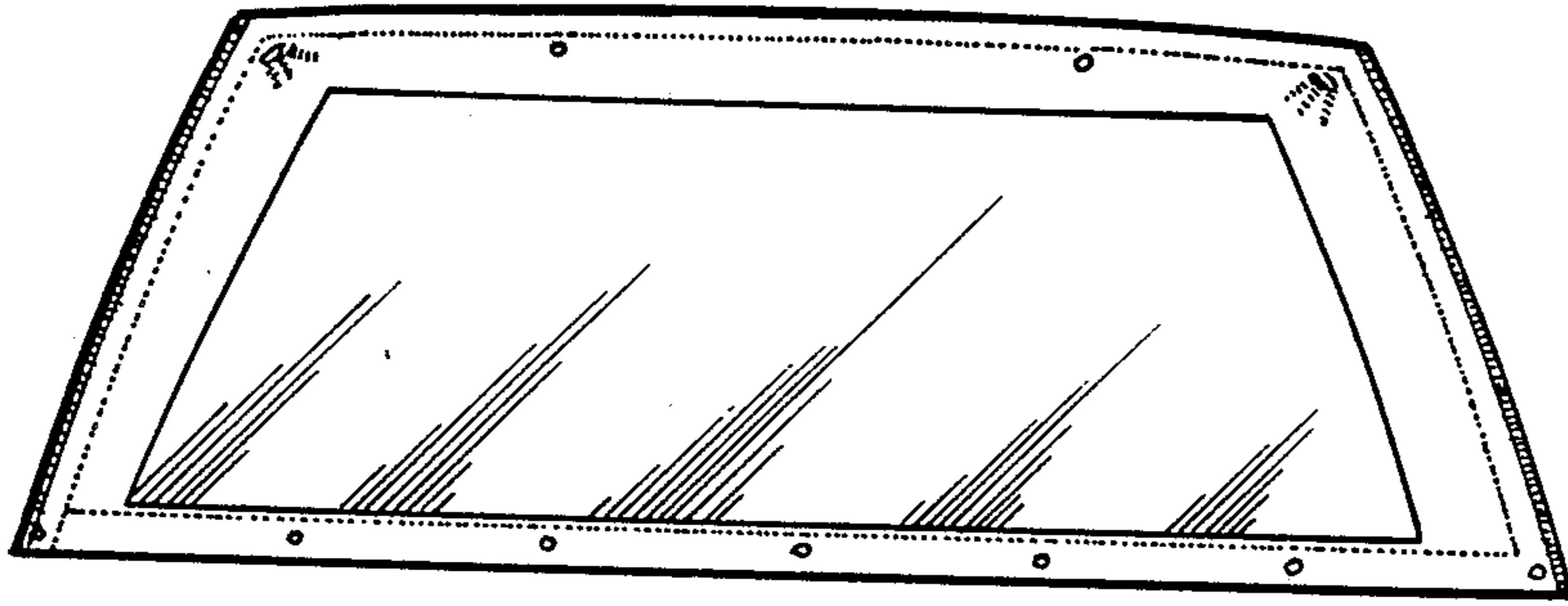


FIG. 4

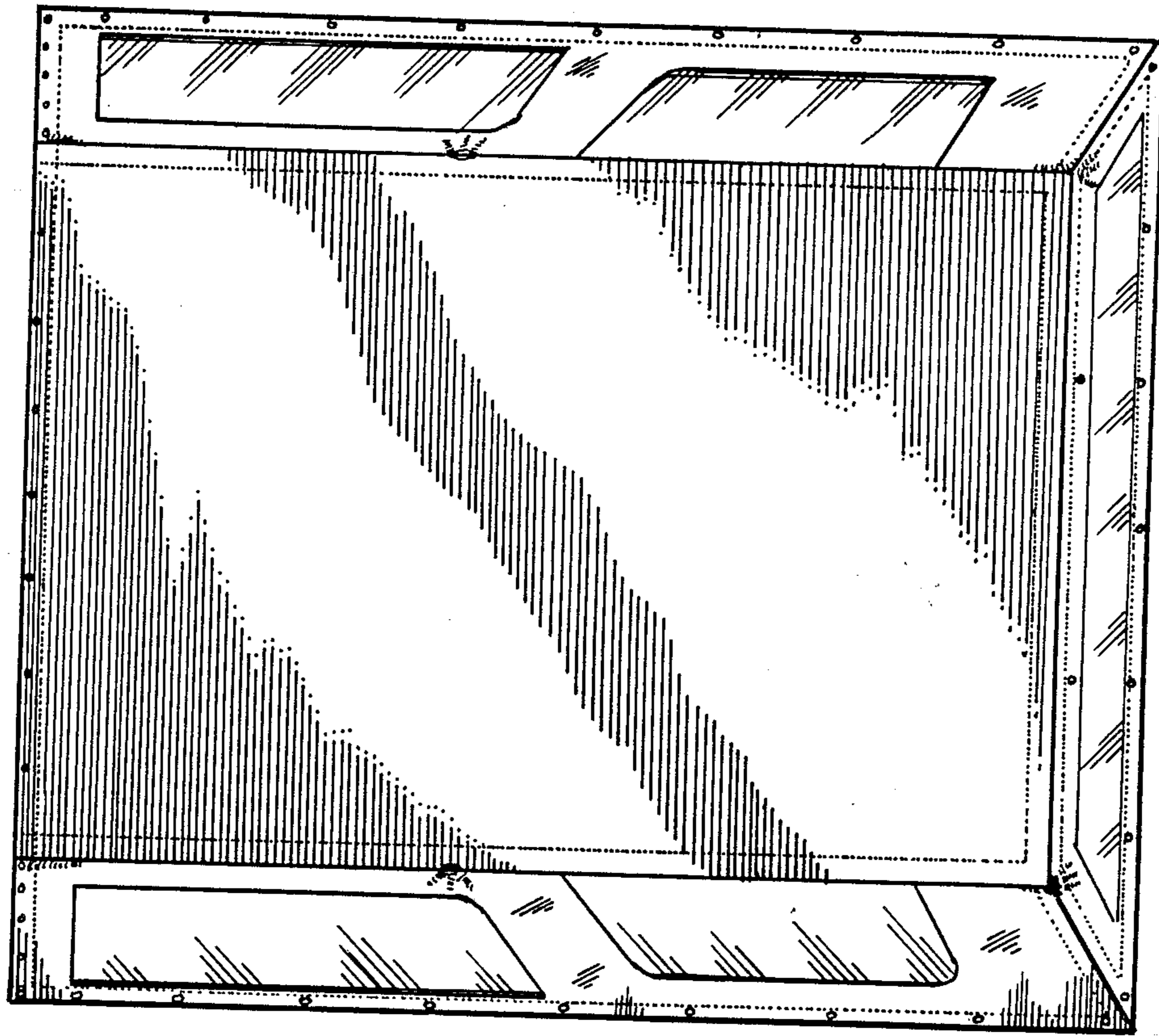


FIG. 5

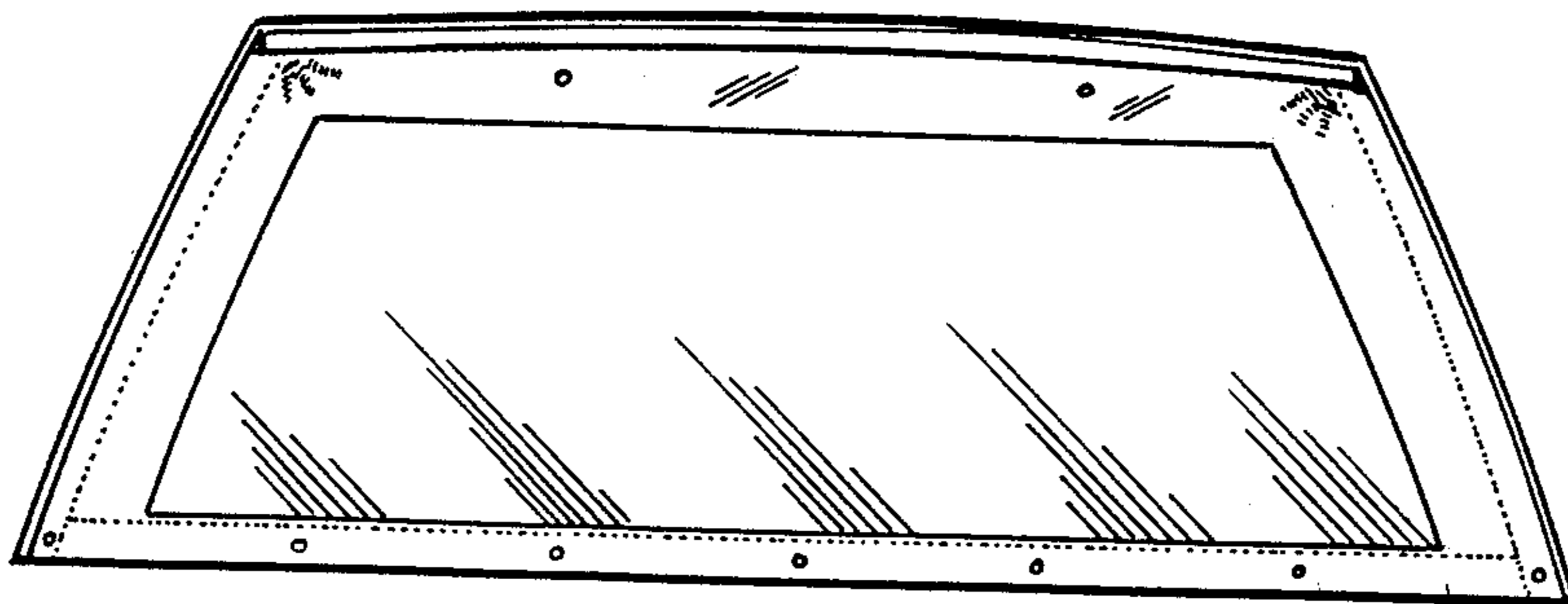


FIG. 6