

[54] TIRE

[75] Inventor: Mario Mezzanotte, Milan, Italy

[73] Assignee: Pirelli Coordinamento Pneumatici S.p.A., Italy

[**] Term: 14 Years

[21] Appl. No.: 66,413

[22] Filed: Jun. 25, 1987

[30] Foreign Application Priority Data

Jan. 26, 1987 [IT] Italy 20620/87[U]

[52] U.S. Cl. D12/146

[58] Field of Search D12/145-151; 152/209 R, 209 A, 209 B, 209 D

[56] References Cited

U.S. PATENT DOCUMENTS

D. 296,093 6/1988 Mezzanotte D12/146

OTHER PUBLICATIONS

1985 Tread Design Guide, p. 74, Yokohama A008 Tire, third row down from top, left side of page.

Tire Review, 6/86, p. 14, Yokohama AVS Dry Tire, bottom left side of page.

Modern Tire Dealer Annual Products Catalog, Mid-Apr. 1986, p. 8, Toyo 600-4D Tire, top right side of page.

Primary Examiner—James M. Gandy
Attorney, Agent, or Firm—Stevens, Davis, Miller & Mosher

[57] CLAIM

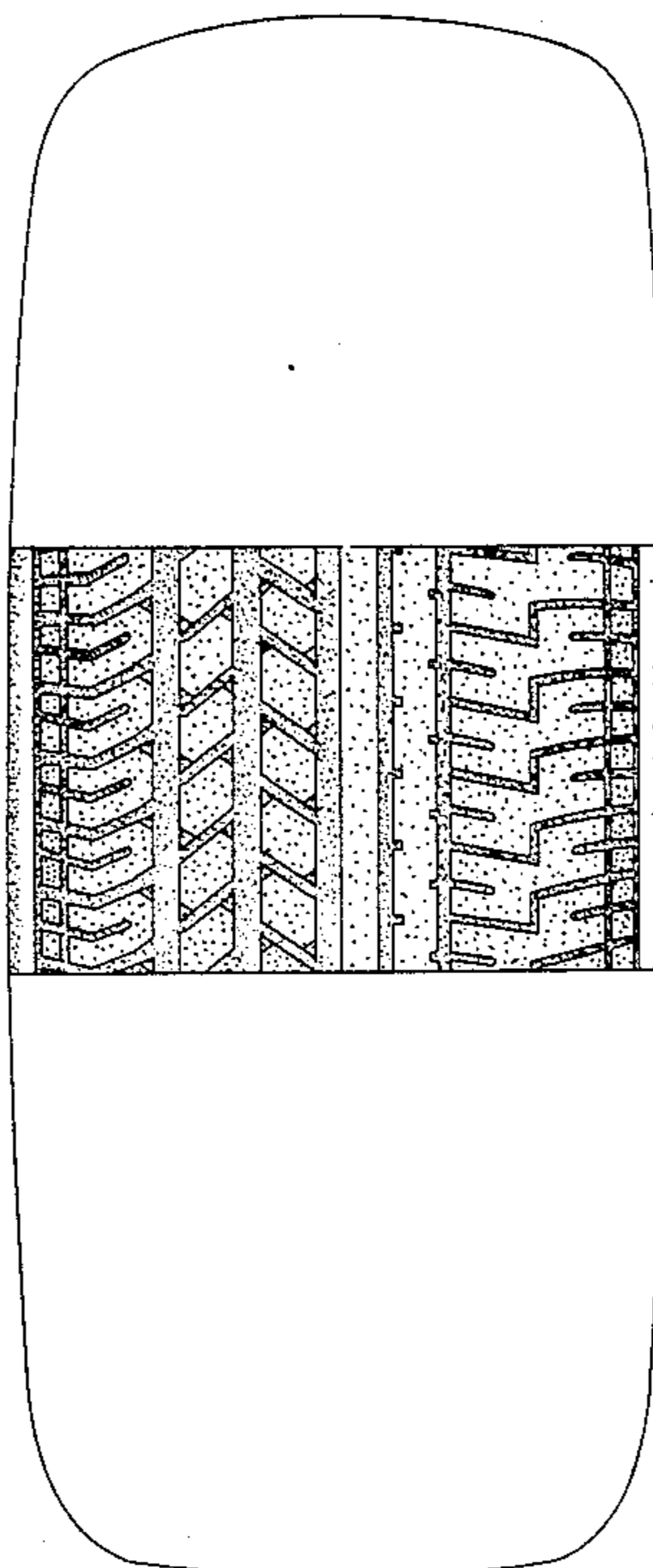
The ornamental design for a tire, as shown and described.

DESCRIPTION

FIG. 1 is a front elevational view of a tire showing our new design it being understood that the tread design is repeated uniformly throughout the circumference of the tire as shown schematically in solid lines;

FIG. 2 is a perspective view from the right side thereof
FIG. 3 is a right side elevational view thereof on a reduced scale.

FIG. 4 is a perspective view from the left side thereof
FIG. 5 is a left side elevational view thereof on a reduced scale.



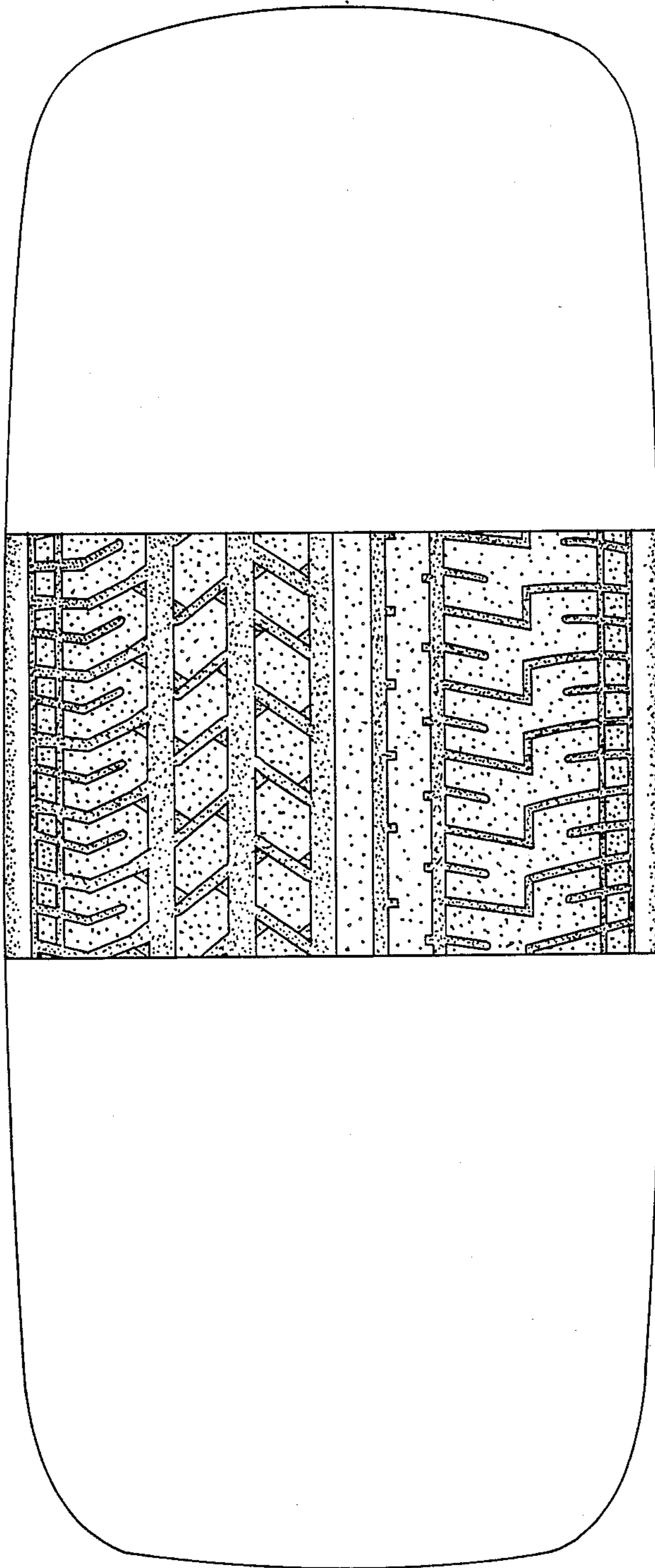


FIG 1

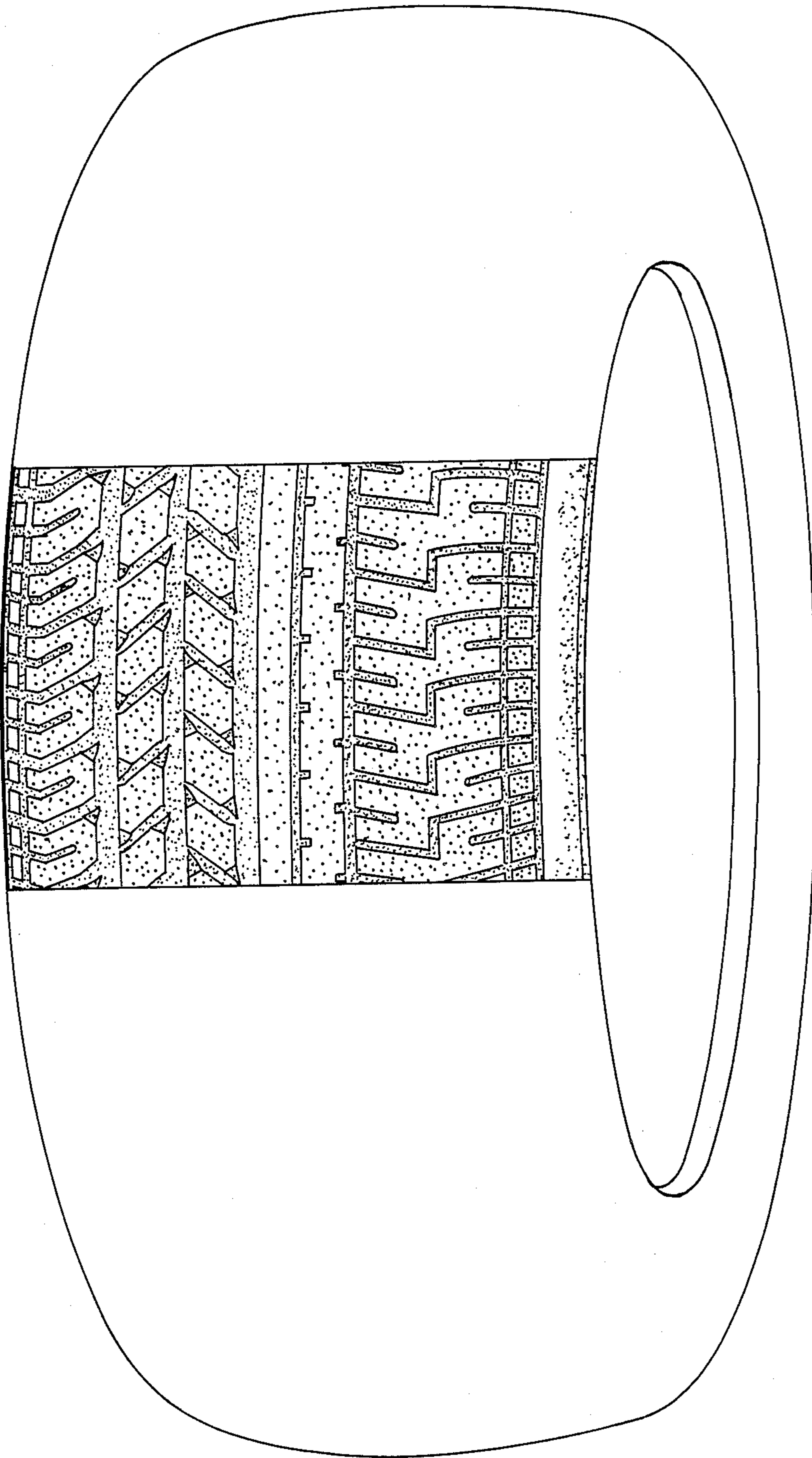


FIG 2

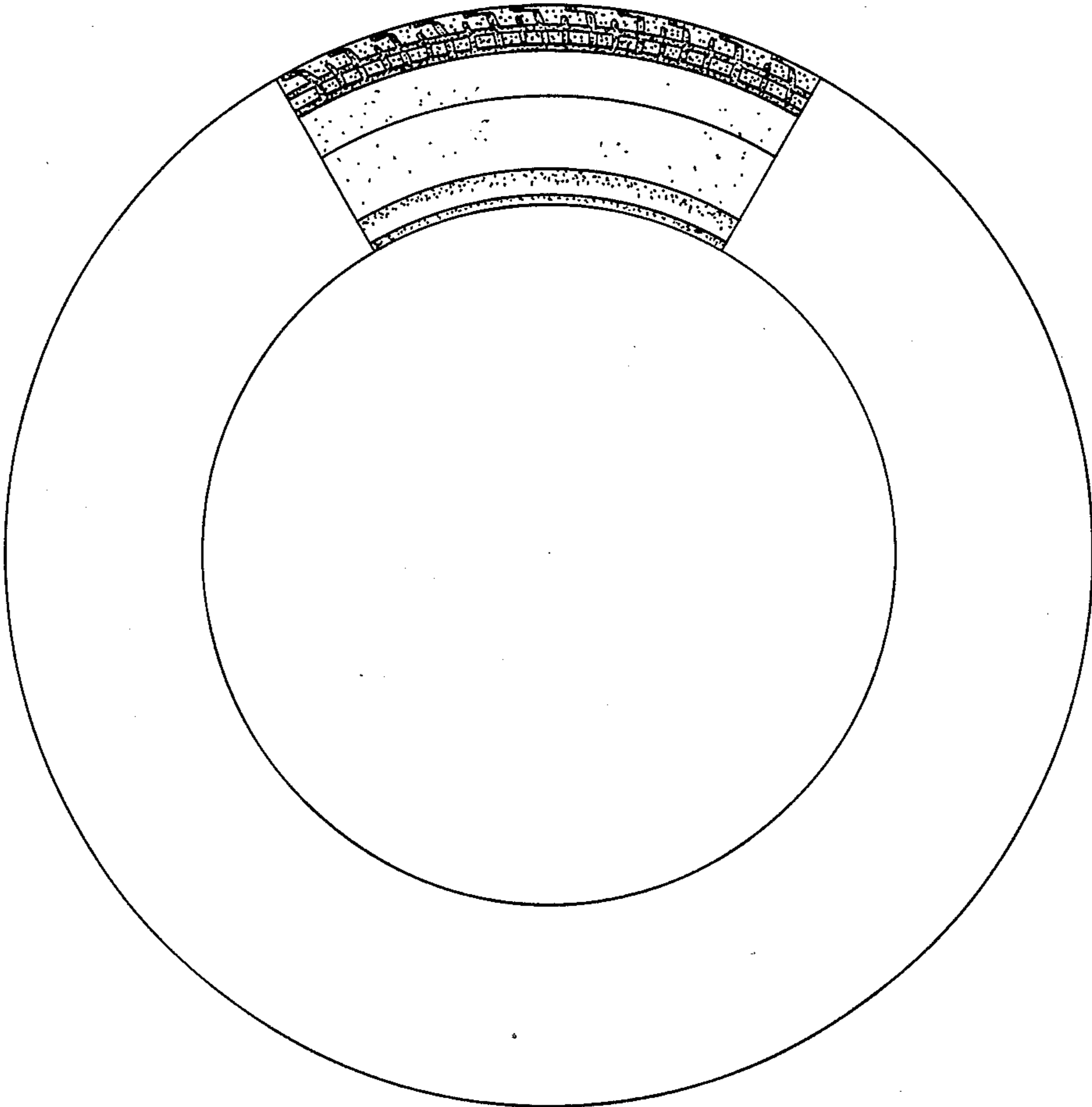


FIG 3

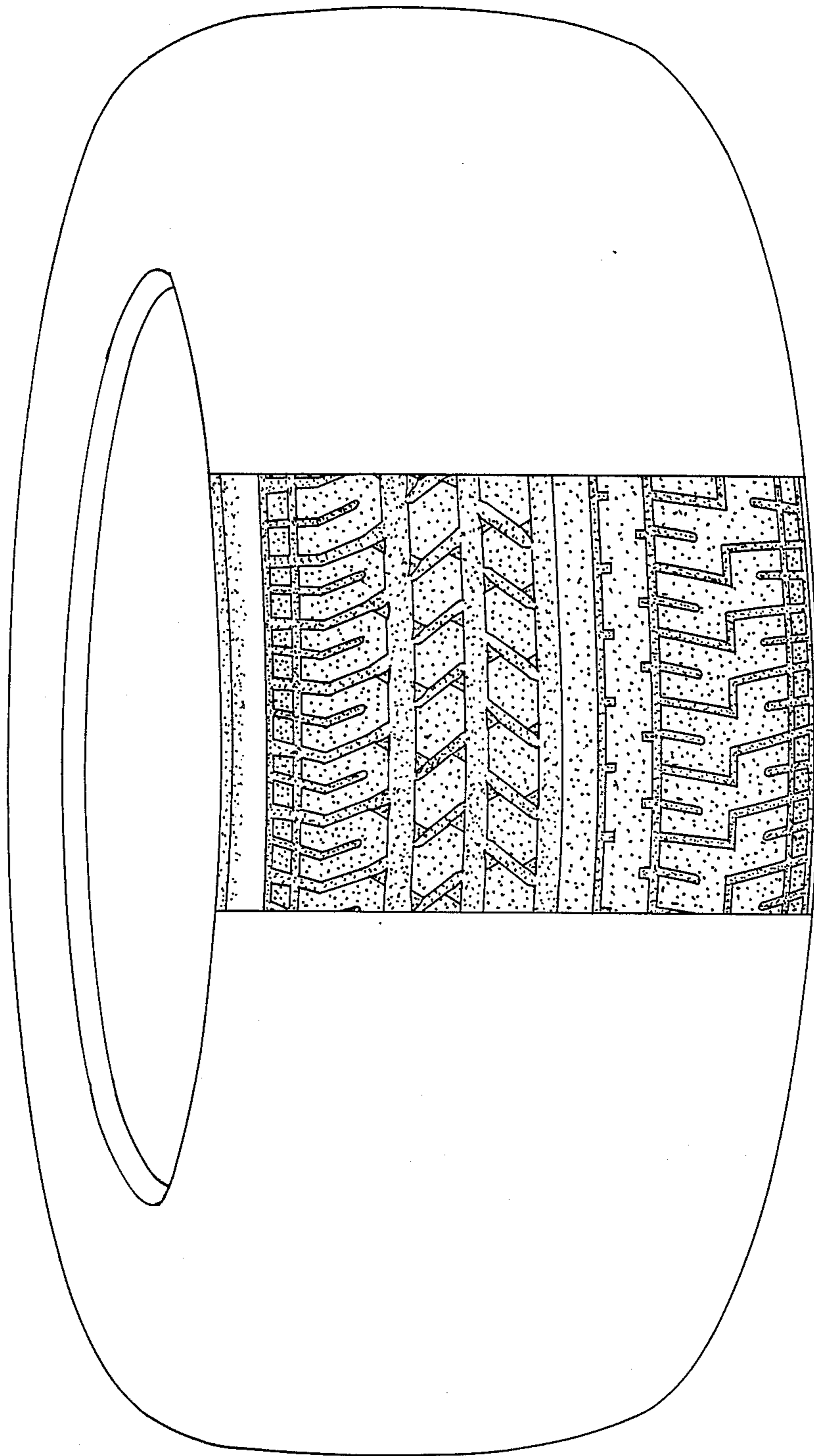


FIG 4

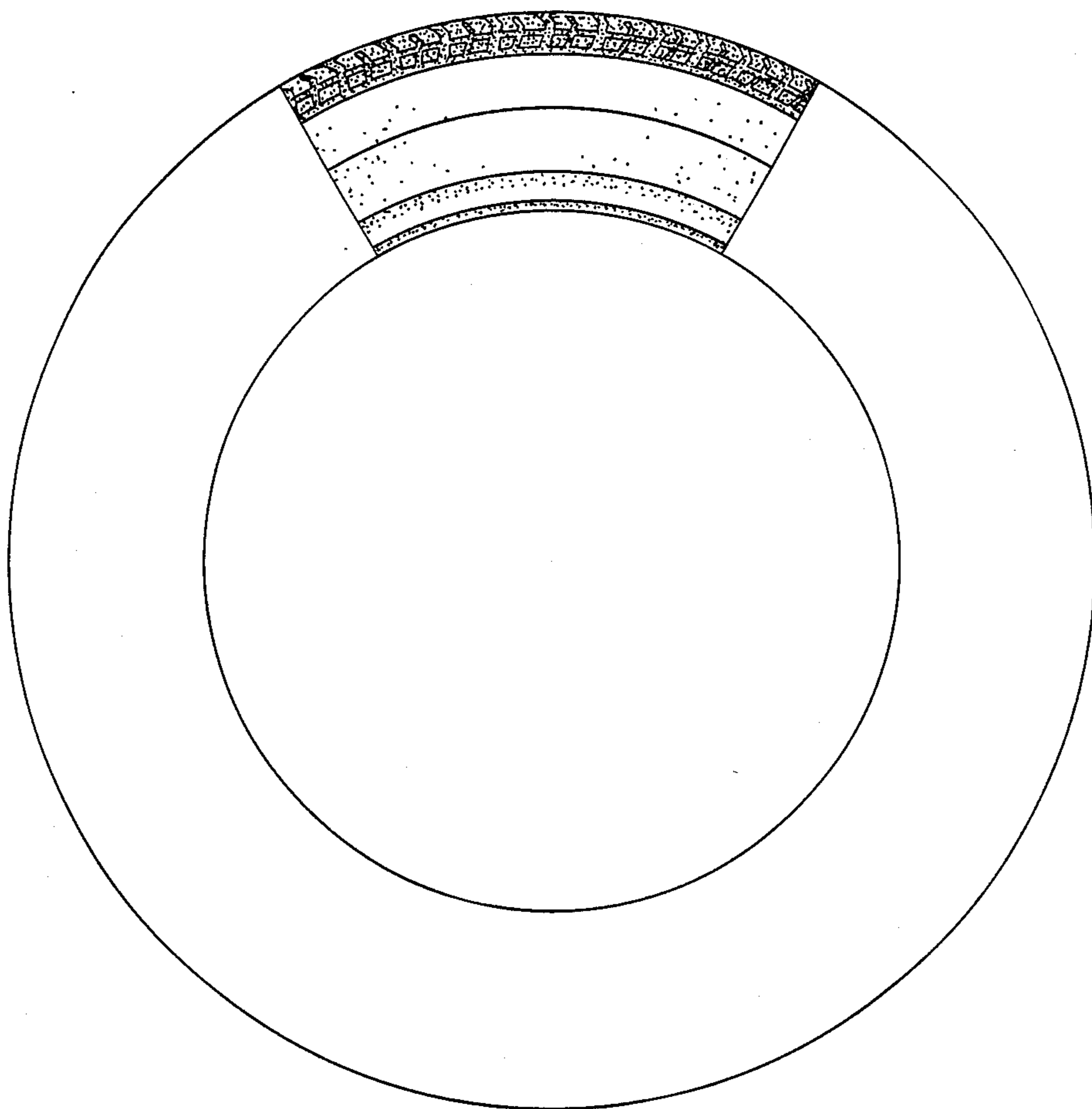


FIG 5