

[54] **AUTOMOBILE TIRE**

[75] **Inventor: Tetsuhiro Fukumoto, Hyogo, Japan**

[73] **Assignee: Sumitomo Rubber Industries, Ltd., Hyogo, Japan**

[\*\*] **Term: 14 Years**

[21] **Appl. No.: 26,646**

[22] **Filed: Mar. 17, 1987**

[30] **Foreign Application Priority Data**

Dec. 9, 1986 [JP] Japan ..... 61-48719  
[52] **U.S. Cl. .... D12/146**  
[58] **Field of Search ..... D12/141-143, D12/145-148; 152/209 R, 209 D**

[56] **References Cited**

**U.S. PATENT DOCUMENTS**

D. 296,199 6/1988 Tansei et al. .... D12/145

**OTHER PUBLICATIONS**

1985 Tread Design Guide, p. 51, Nitto NT-255 Tire, third row down from top, left side of page.  
1985 Tread Design Guide, p. 74, Tokohama AX320 Tire, second row down from top & second tire in from left side of page.  
Modern Tire Dealer Annual Products Catalog, Mid-Apr. 1986, p. 8, Mohawk Magneta GT Tire, lower center of page.

*Primary Examiner*—James M. Gandy  
*Attorney, Agent, or Firm*—Birch, Stewart, Kolasch & Birch

[57] **CLAIM**

The ornamental design for an automobile tire, as shown and described.

**DESCRIPTION**

FIG. 1 is a perspective view of an automobile tire showing my new design it being understood that the tread design is repeated uniformly throughout the circumference of the tire and the opposite side is the same as that shown;  
FIG. 2 is a front elevational view thereof; and  
FIG. 3 is a side elevational view thereof.

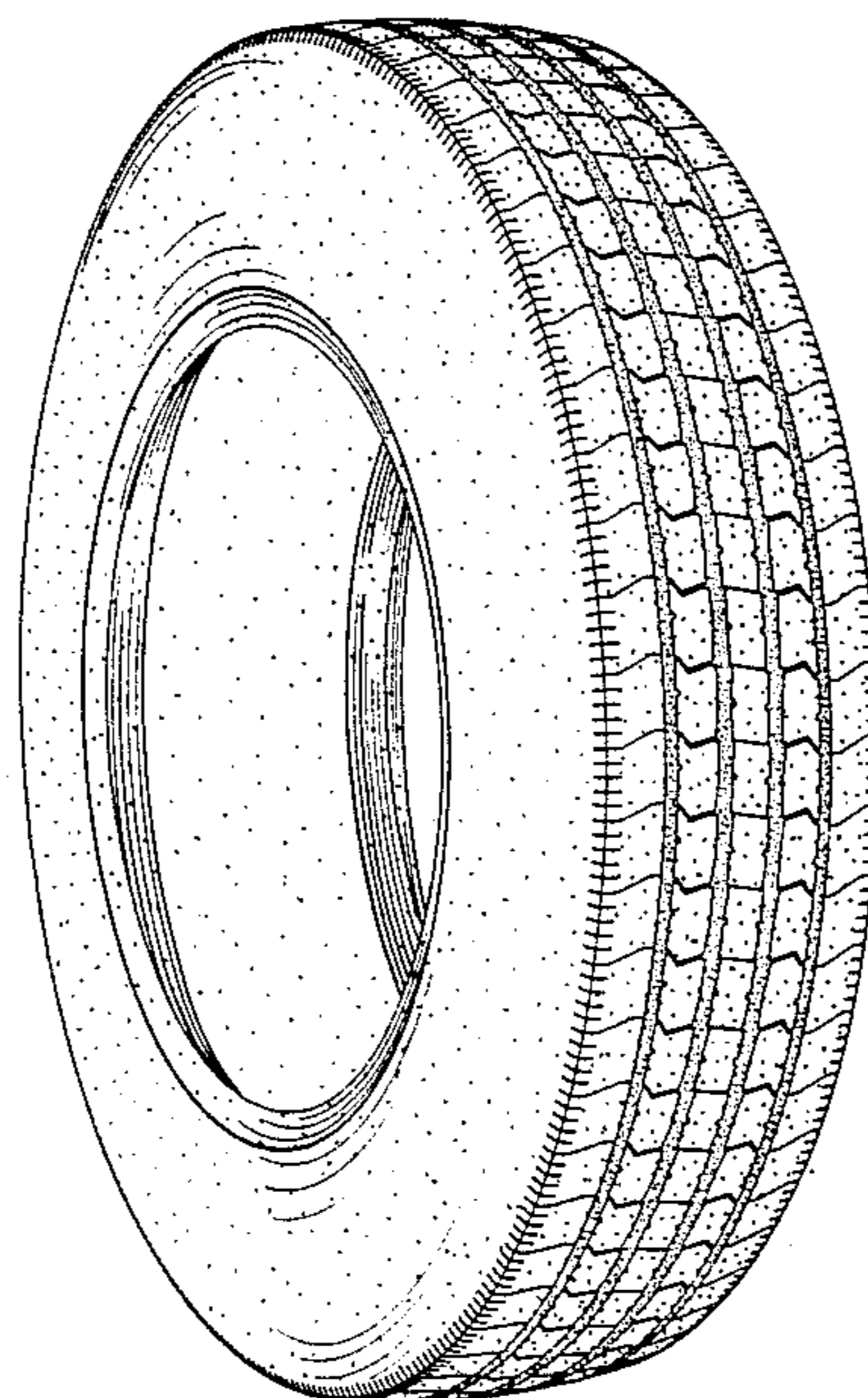


FIG. 1

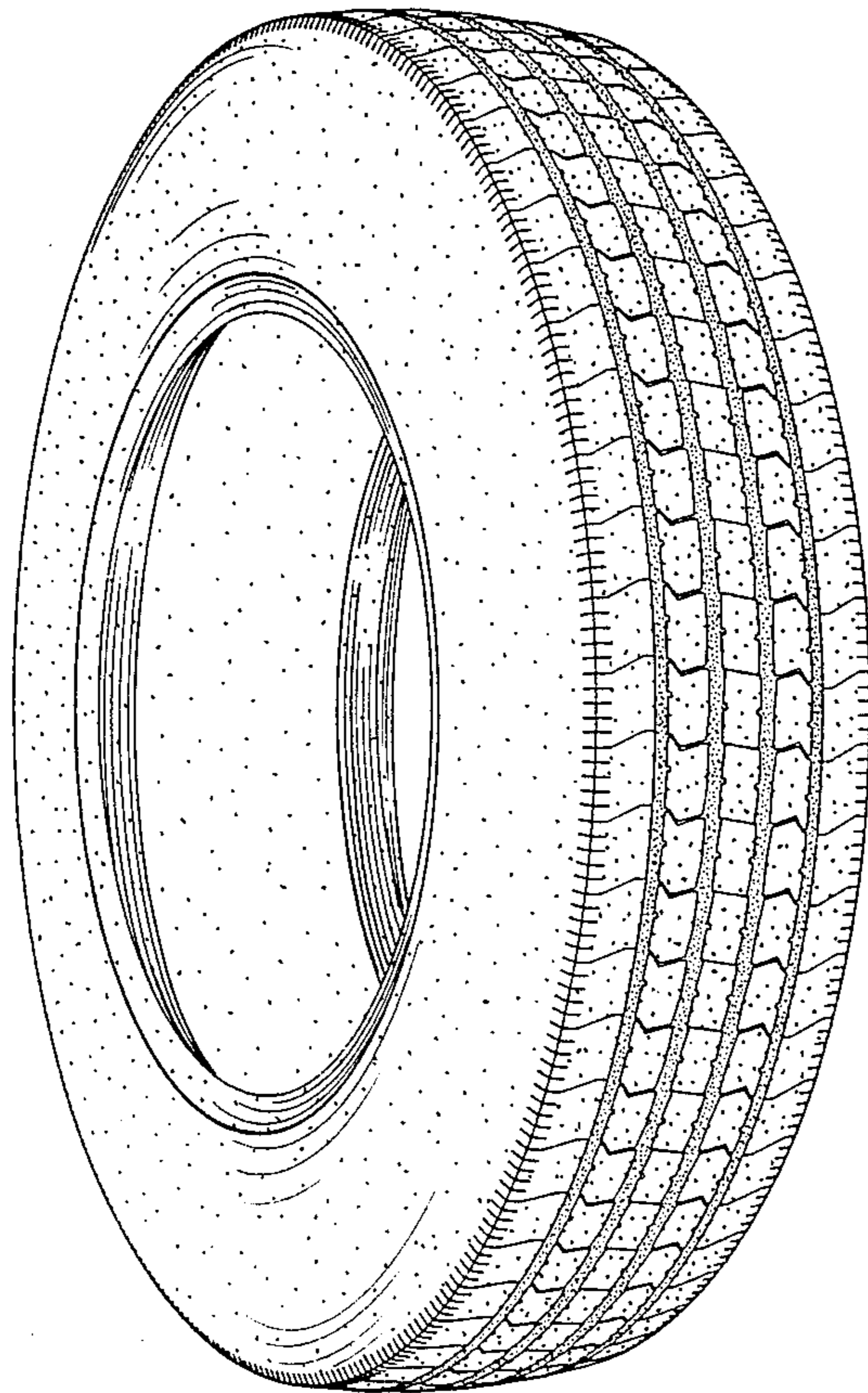


FIG. 2

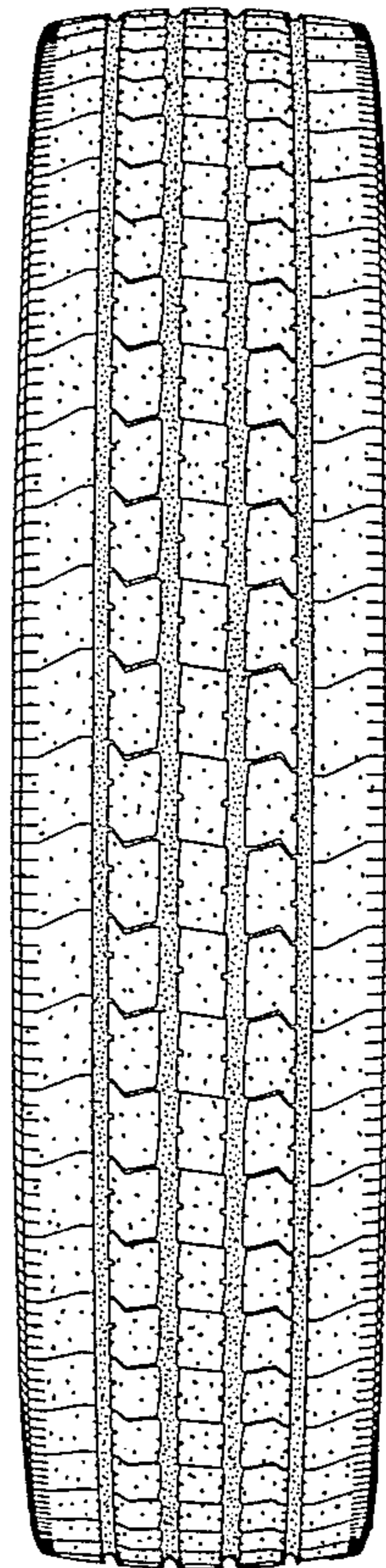


FIG. 3

