

[54] COMBINED FLOWER VASES AND HOLDER

[76] Inventor: Edward V. Dinerman, 16 E. Observatory Hill La., Cincinnati, Ohio 45208

[**] Term: 14 Years

[21] Appl. No.: 3,217

[22] Filed: Jan. 14, 1987

[52] U.S. Cl. D11/147; D6/405; D6/474; D6/476

[58] Field of Search D11/143-150, D11/164; D6/474, 476-479, 403, 405; 211/74, 72, 60.1, 70.1; 206/423; 47/41 R, 41 SS, 41.11

[56] References Cited

U.S. PATENT DOCUMENTS

- D. 81,180 5/1930 Danco .
- D. 102,542 12/1936 Berman .
- D. 103,127 2/1937 Schwartz .
- D. 108,418 2/1938 Bloomfield .

- D. 137,677 4/1944 Fibus .
- D. 157,024 1/1950 Bacco et al. D6/474
- D. 207,915 6/1967 Zimmerman .
- D. 259,629 6/1981 Titus .
- D. 289,352 4/1987 Sher D6/474
- 731,710 6/1903 Renken 211/74
- 799,104 9/1906 Sprague .
- 986,395 3/1911 King .

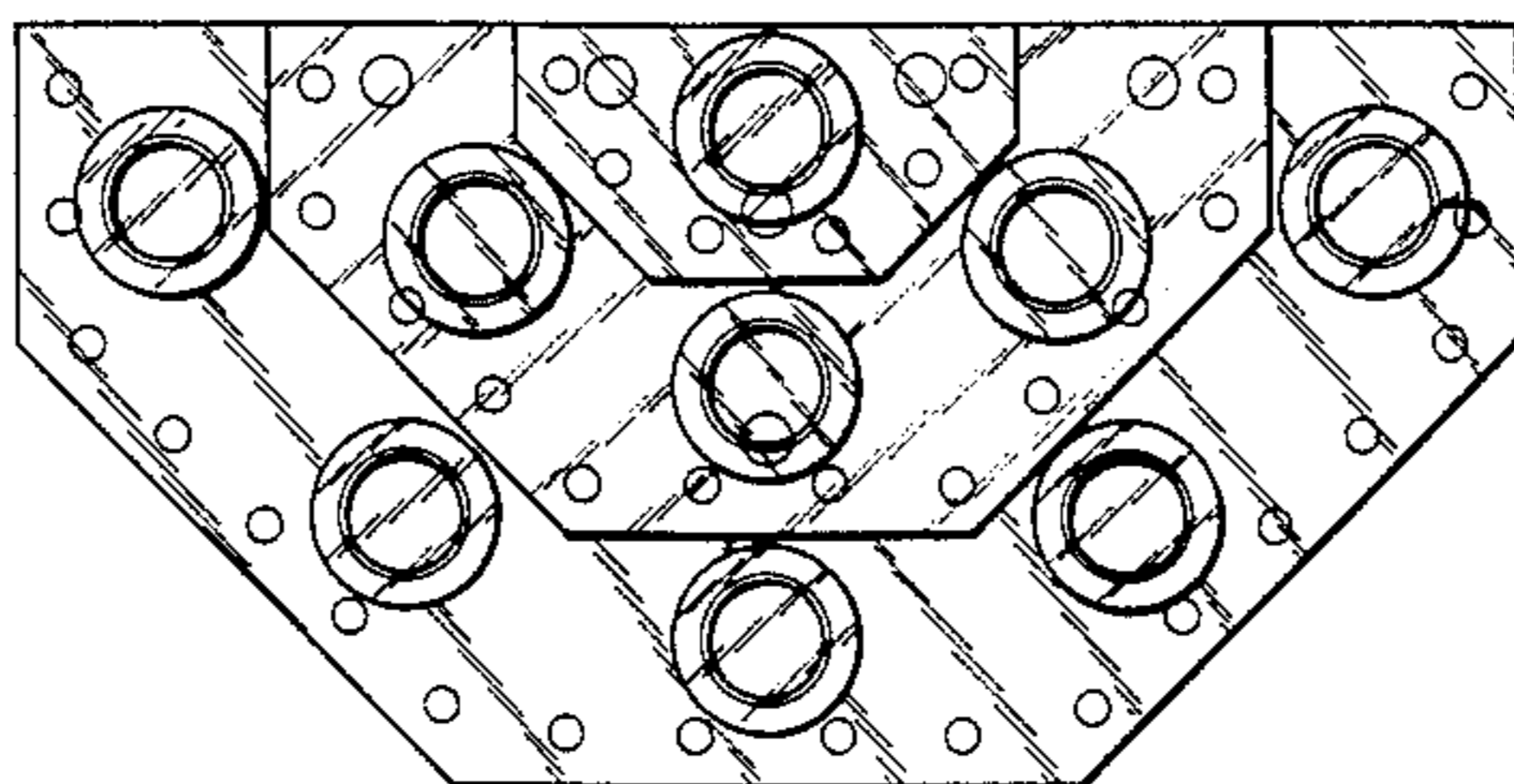
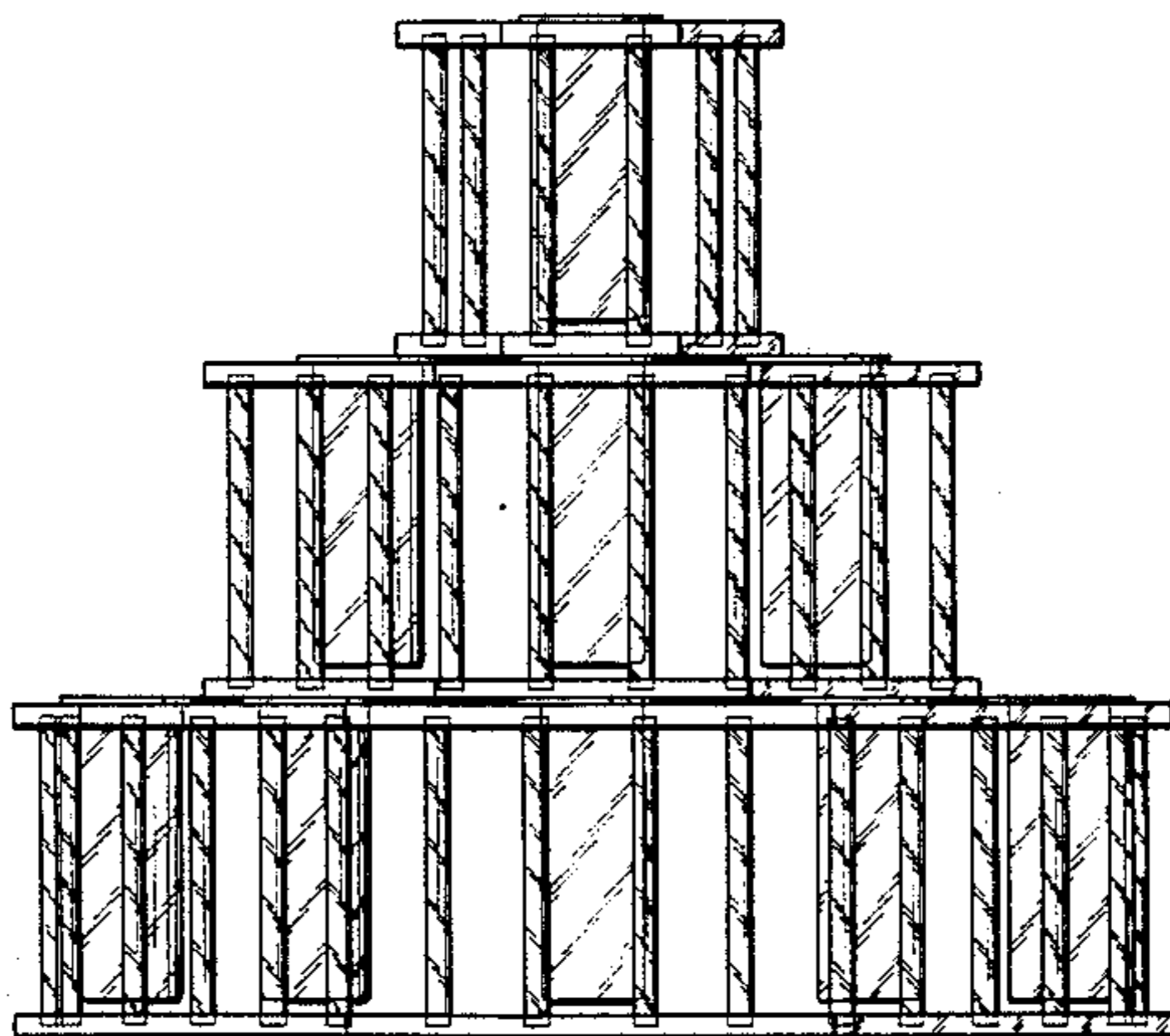
Primary Examiner—B. J. Bullock
Attorney, Agent, or Firm—Wood, Herron & Evans

[57] CLAIM

The ornamental design for a combined flower vases and holder, as shown.

DESCRIPTION

FIG. 1 is a front elevational view of a combined flower vases and holder showing my new design.
 FIG. 2 is a top plan view thereof.
 FIG. 3 is a right side elevational view thereof, the left side being a mirror image;
 FIG. 4 is a rear elevational view thereof.
 FIG. 5 is a bottom plan view thereof.



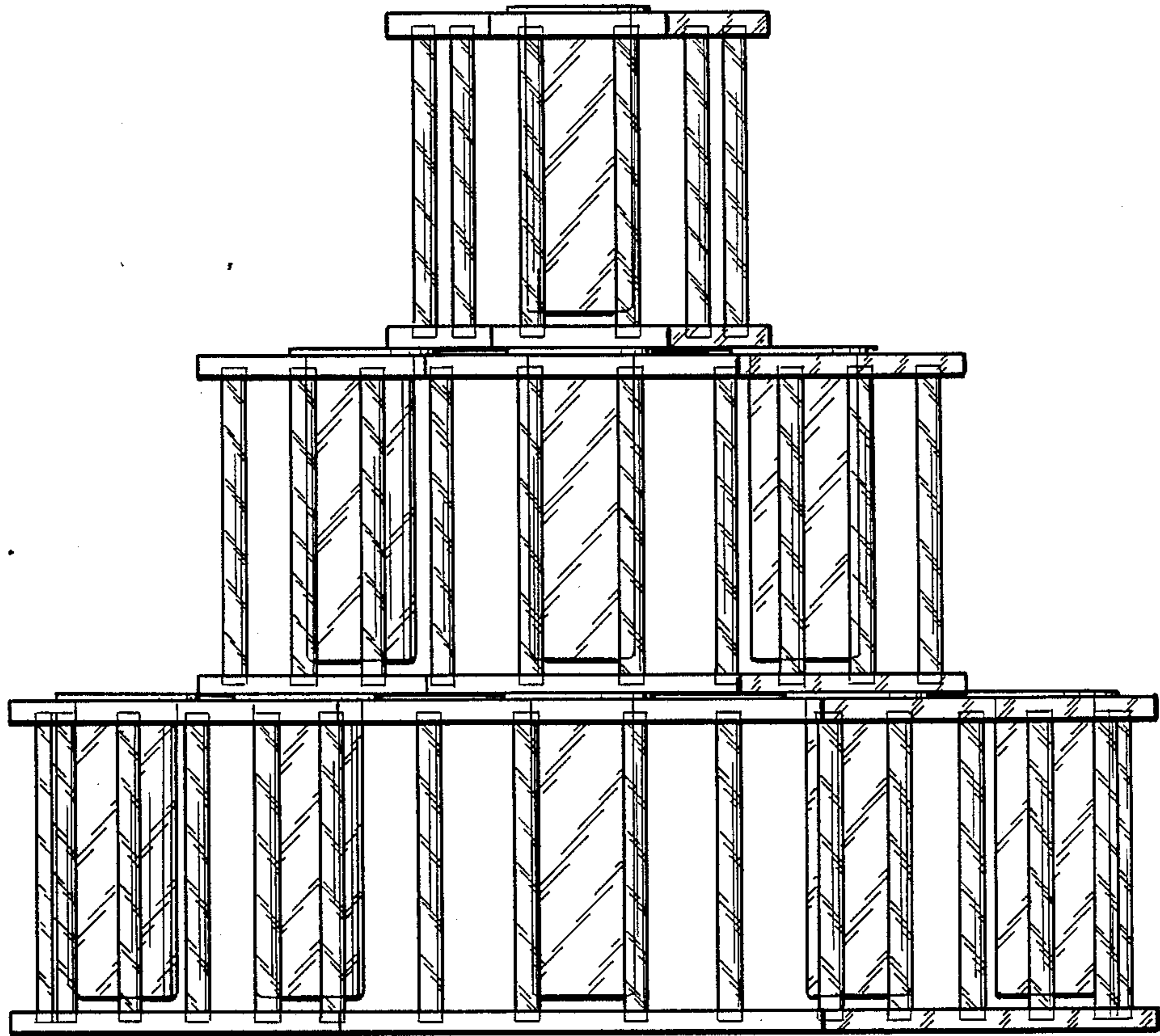


FIG. 1

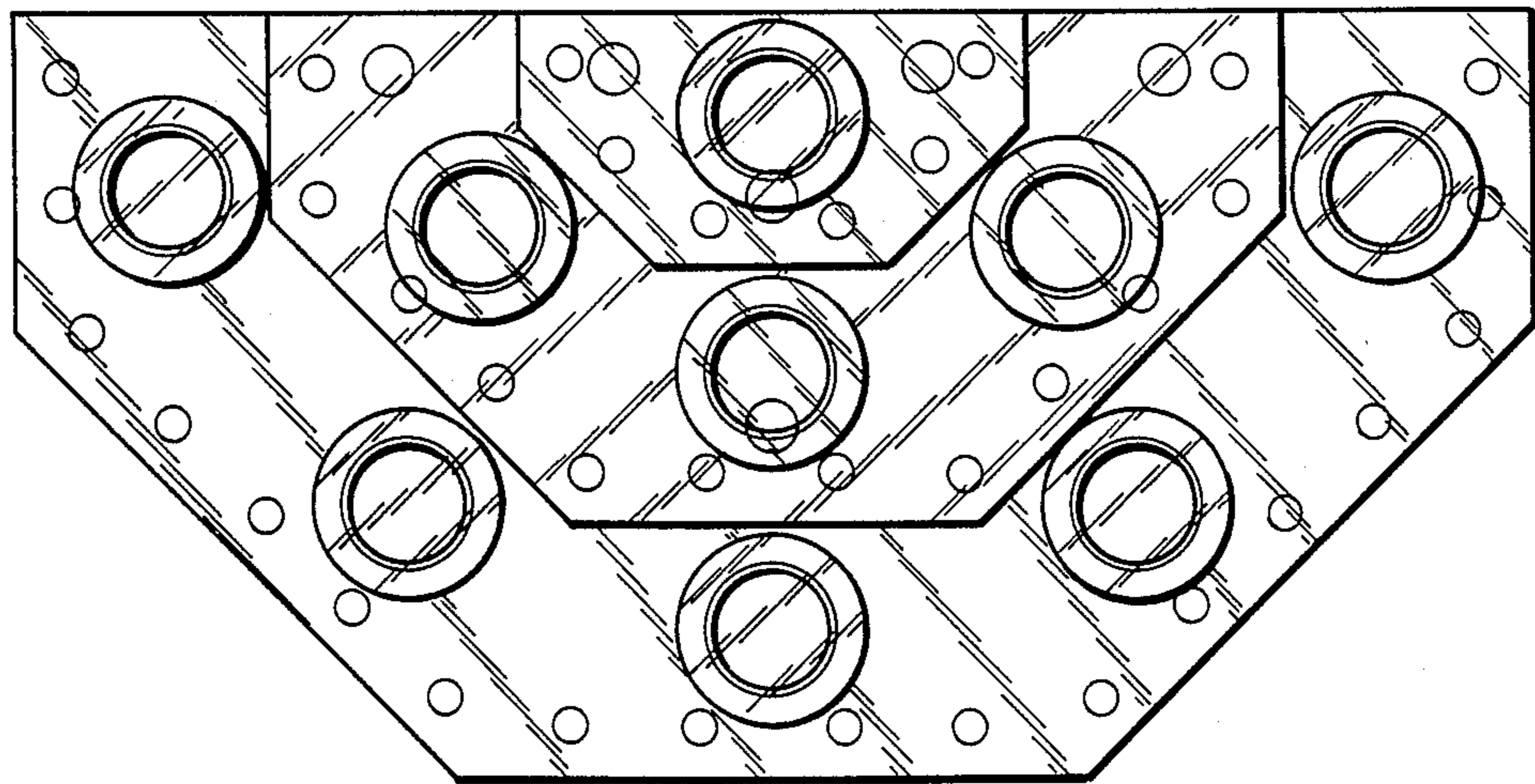


FIG. 2

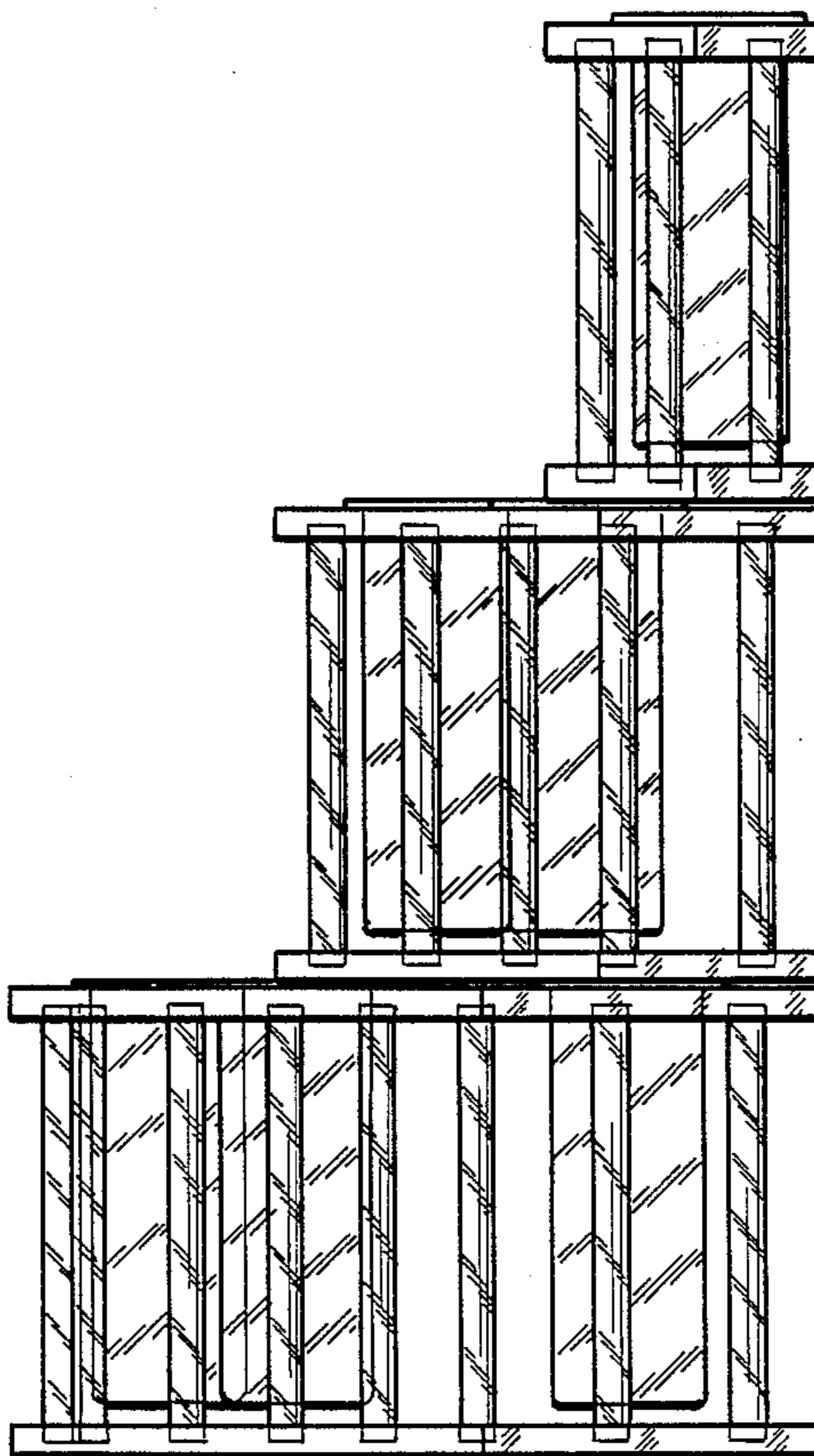


FIG. 3

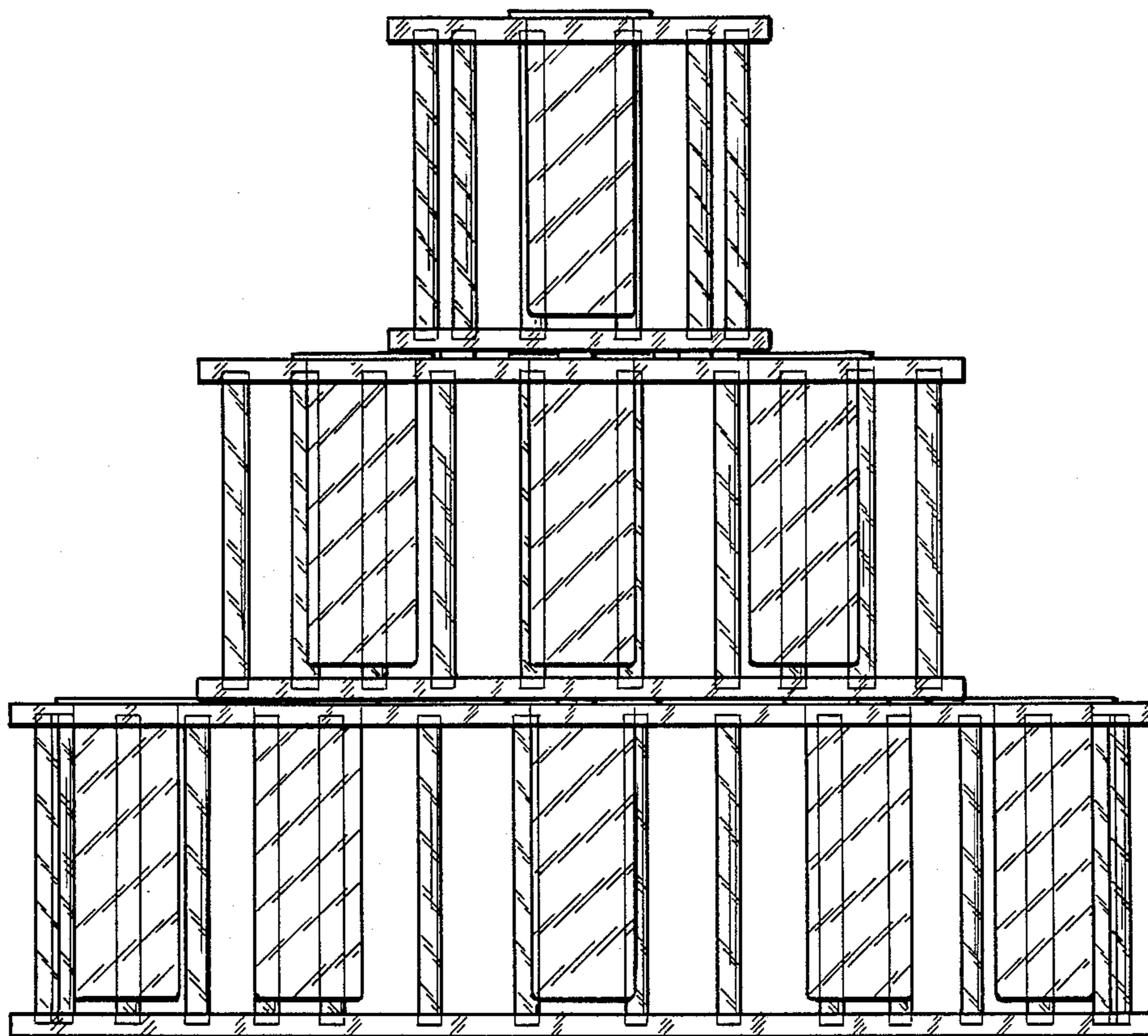


FIG. 4

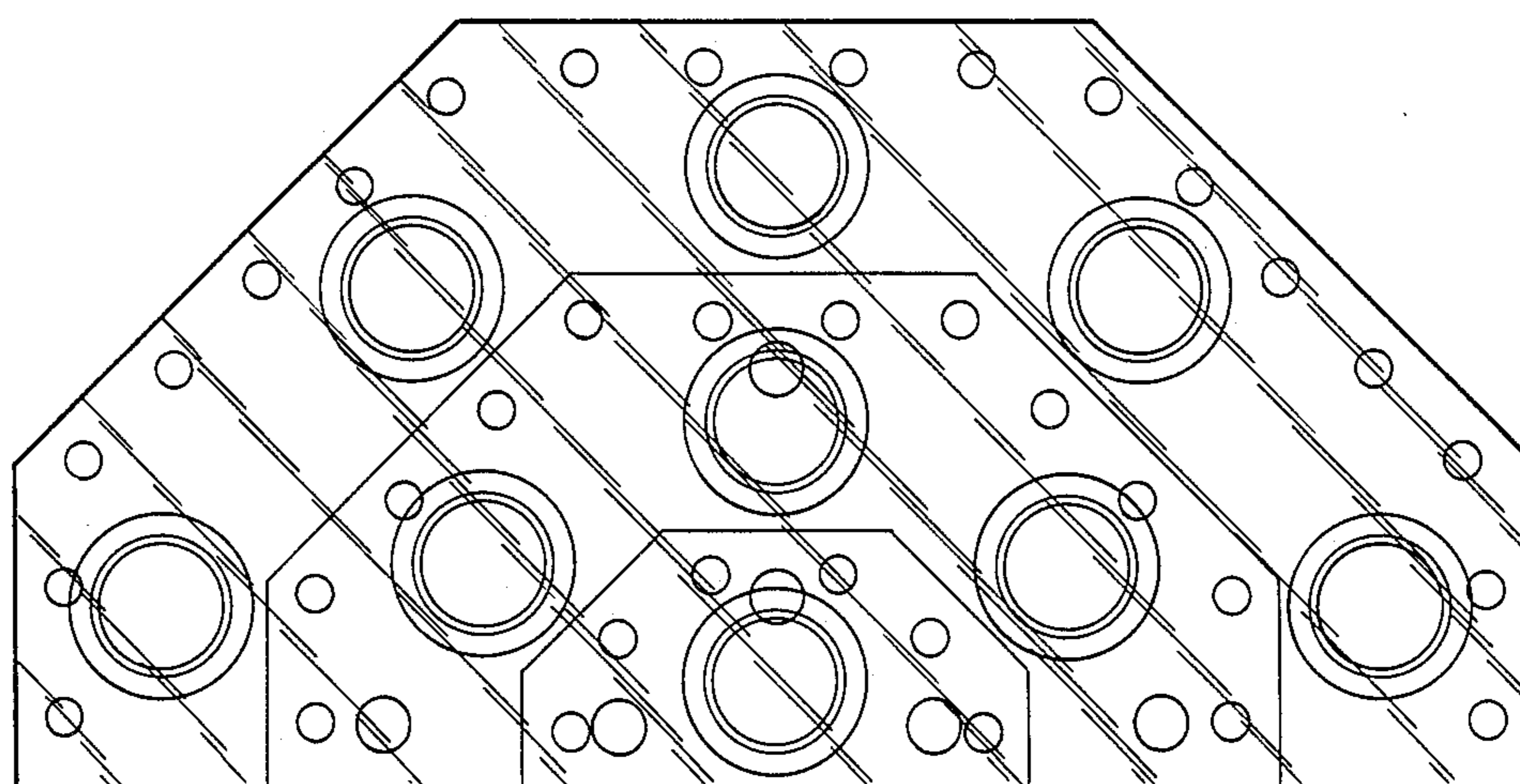


FIG. 5