

[54] CONTAINER FOR LIQUIDS

[76] Inventor: Jerome Lippman, 3342 W. Smith Rd., Akron, Ohio 44313

[**] Term: 14 Years

[21] Appl. No.: 925,117

[22] Filed: Oct. 30, 1986

[52] U.S. Cl. D9/403

[58] Field of Search D9/337, 338, 347, 349, D9/352, 353, 355, 367, 368, 369, 370, 372, 373, 379, 387, 390, 399, 401, 403, 404, 406, 413, 428, 438; 215/1 A, 1 R, 1 C

[56] References Cited

U.S. PATENT DOCUMENTS

- D. 207,069 2/1967 Stettler D9/404
- D. 282,244 1/1986 Santdiemmo D9/367

D. 299,427 1/1989 Steiner et al. D9/367

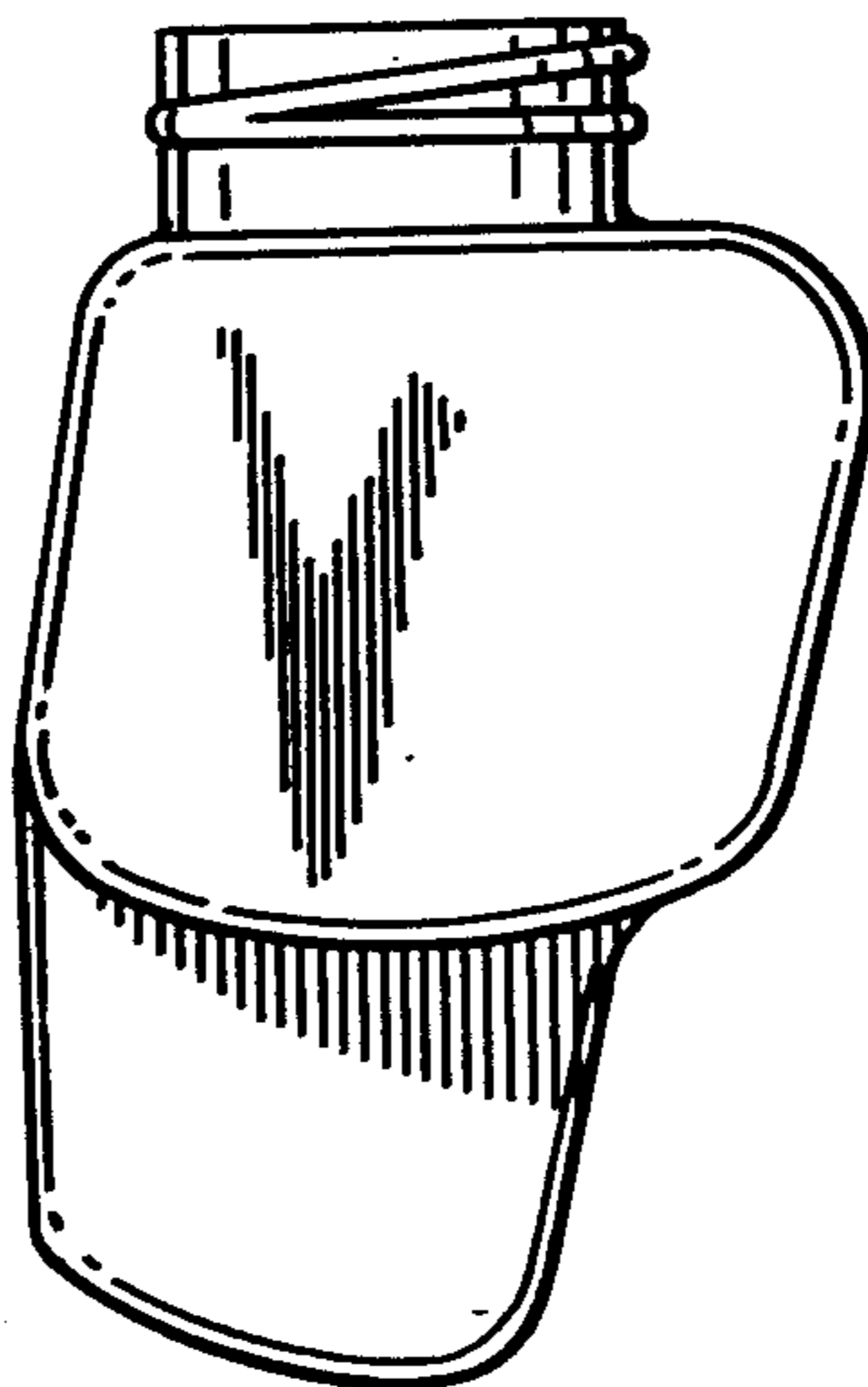
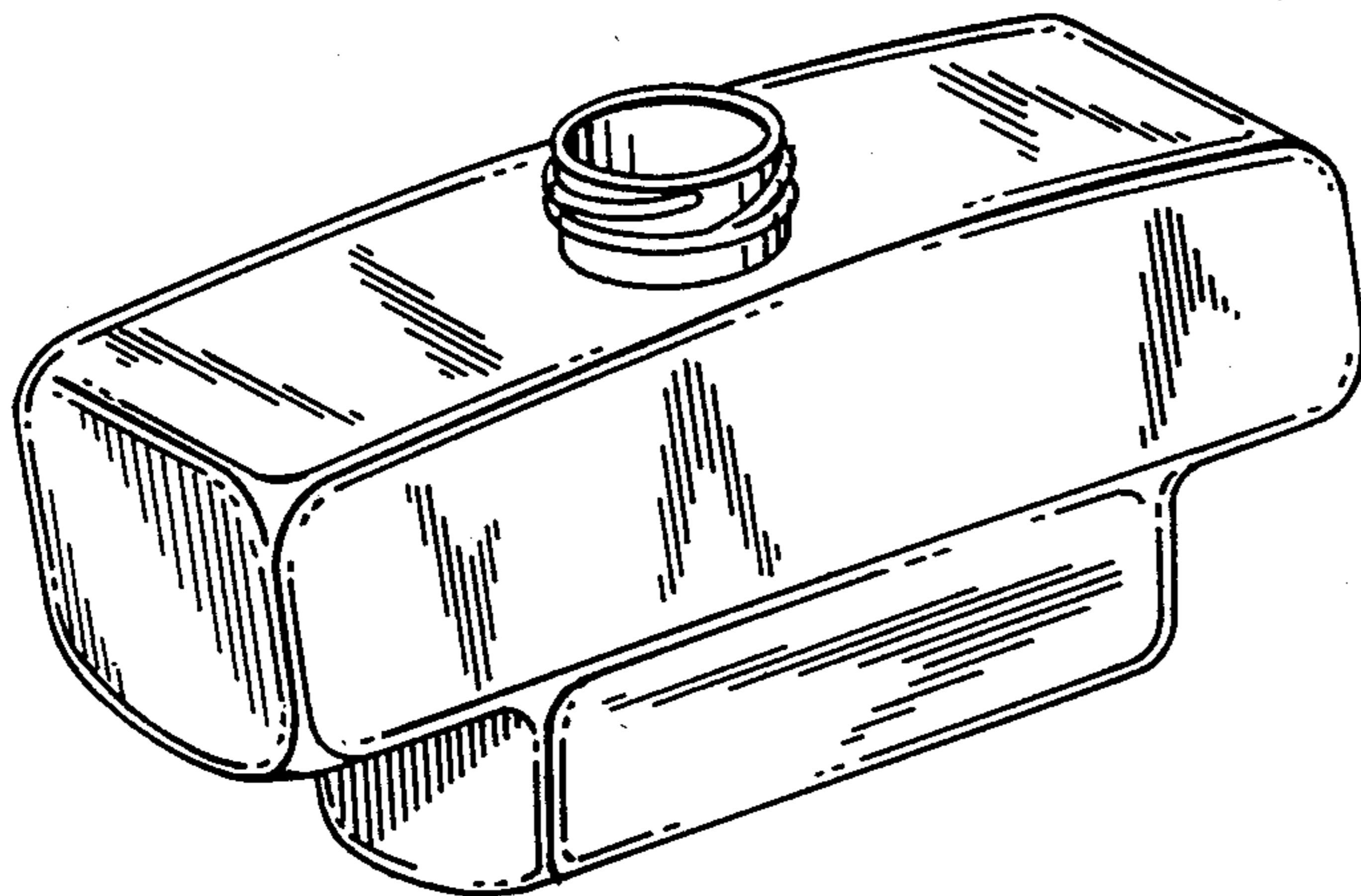
Primary Examiner—B. J. Bullock
Assistant Examiner—Celia Murphy
Attorney, Agent, or Firm—Reese Taylor

[57] CLAIM

The ornamental design for a container for liquids, as shown and described.

DESCRIPTION

FIG. 1 is a perspective view of a container for liquids, showing my new design;
FIG. 2 is an enlarged top plan view thereof;
FIG. 3 is an enlarged front elevational view thereof;
FIG. 4 is an enlarged rear elevational view thereof;
FIG. 5 is an enlarged bottom plan view thereof;
FIG. 6 is an enlarged right side elevational view thereof; the left side being a mirror image.



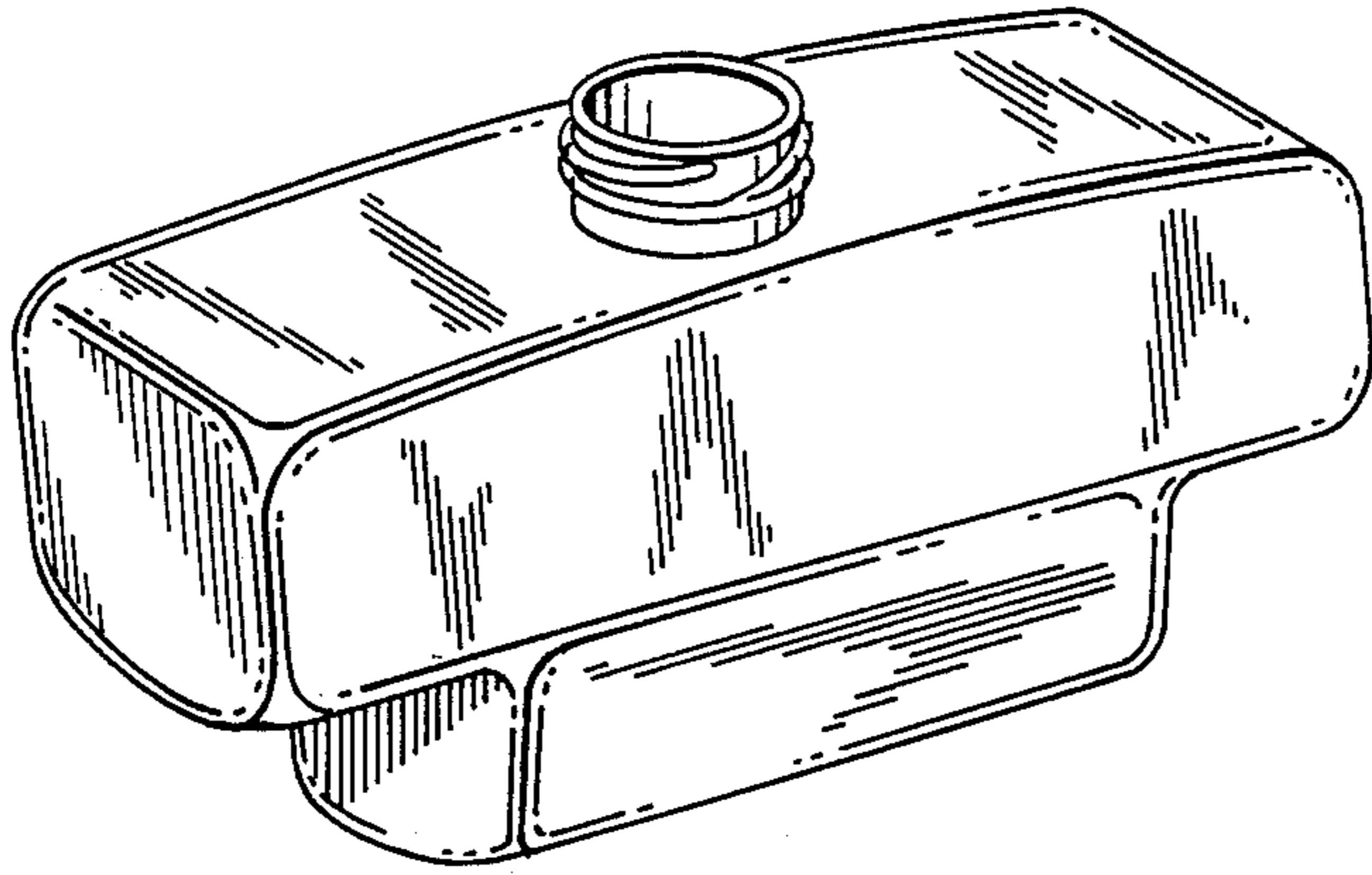


FIG. 1

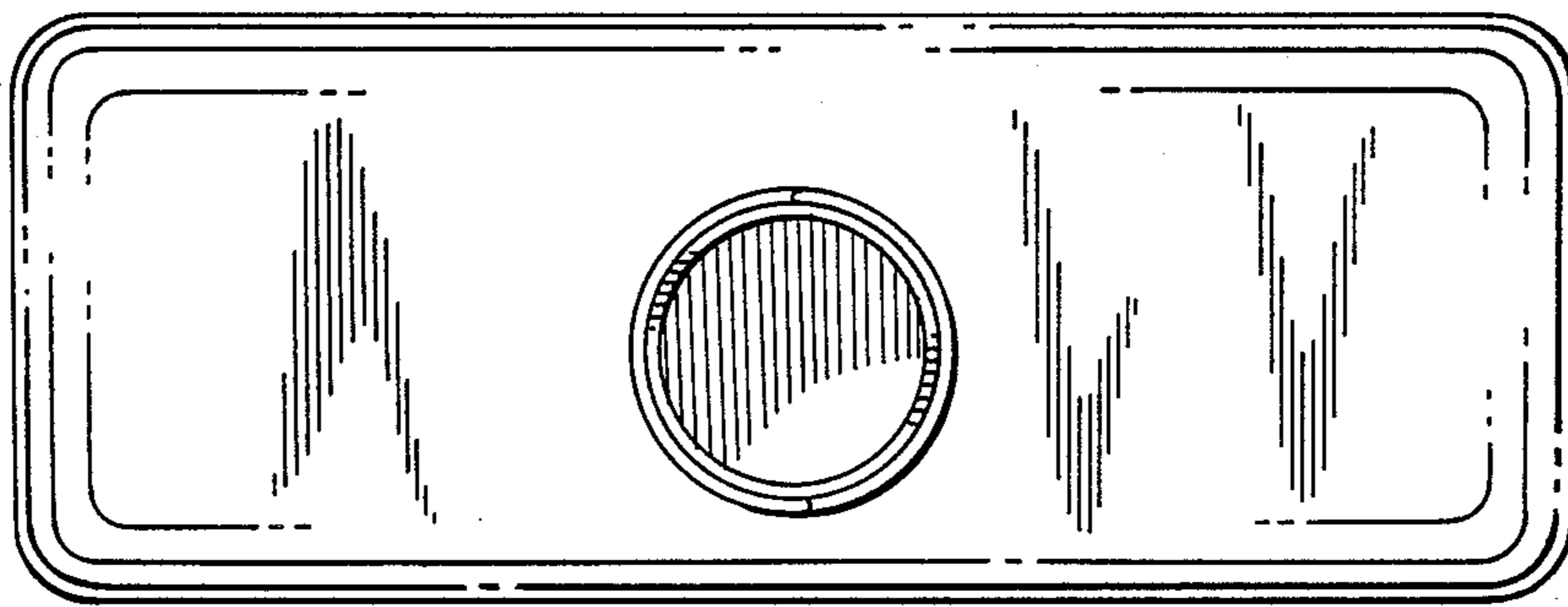


FIG. 2

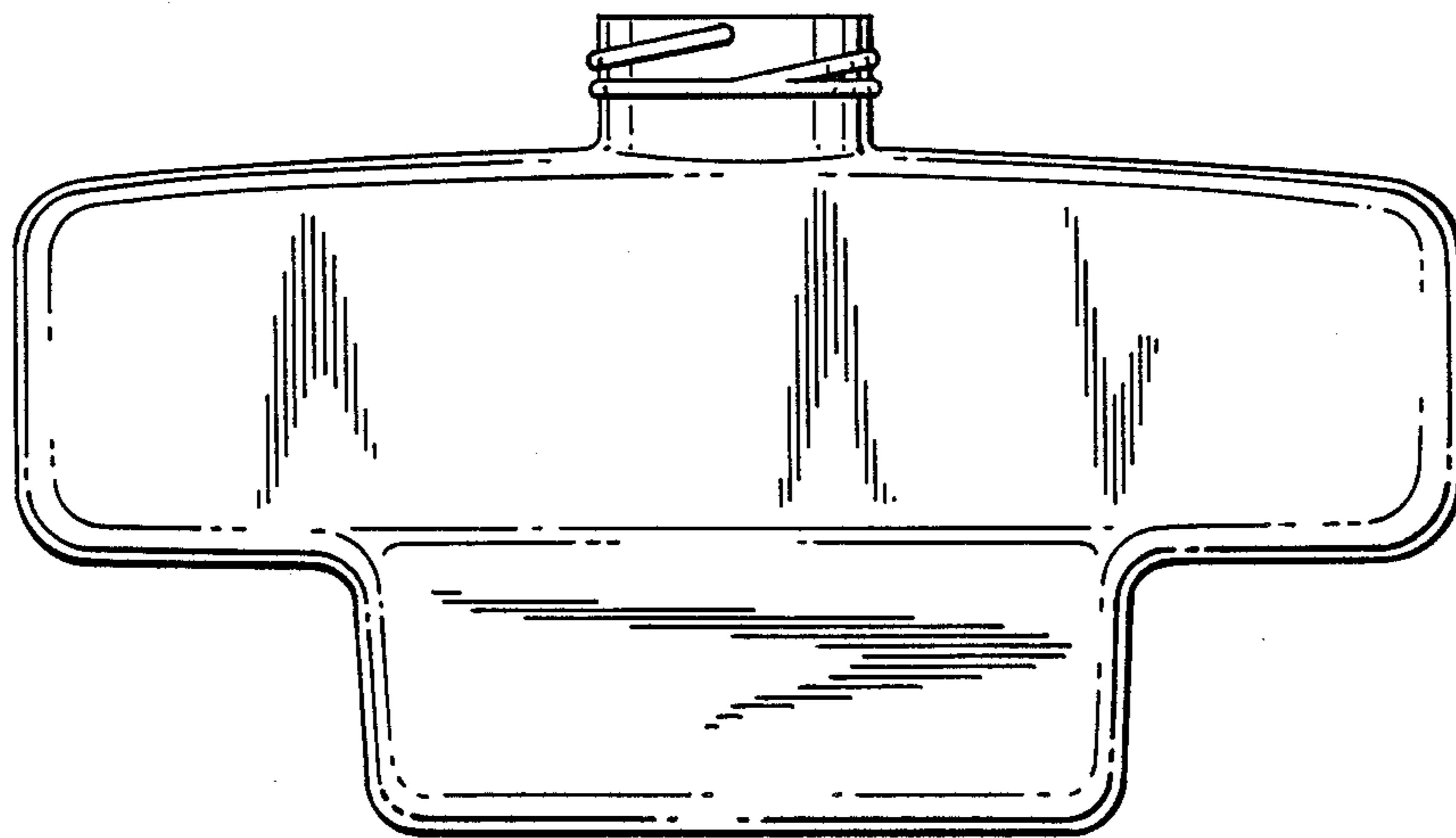


FIG. 3

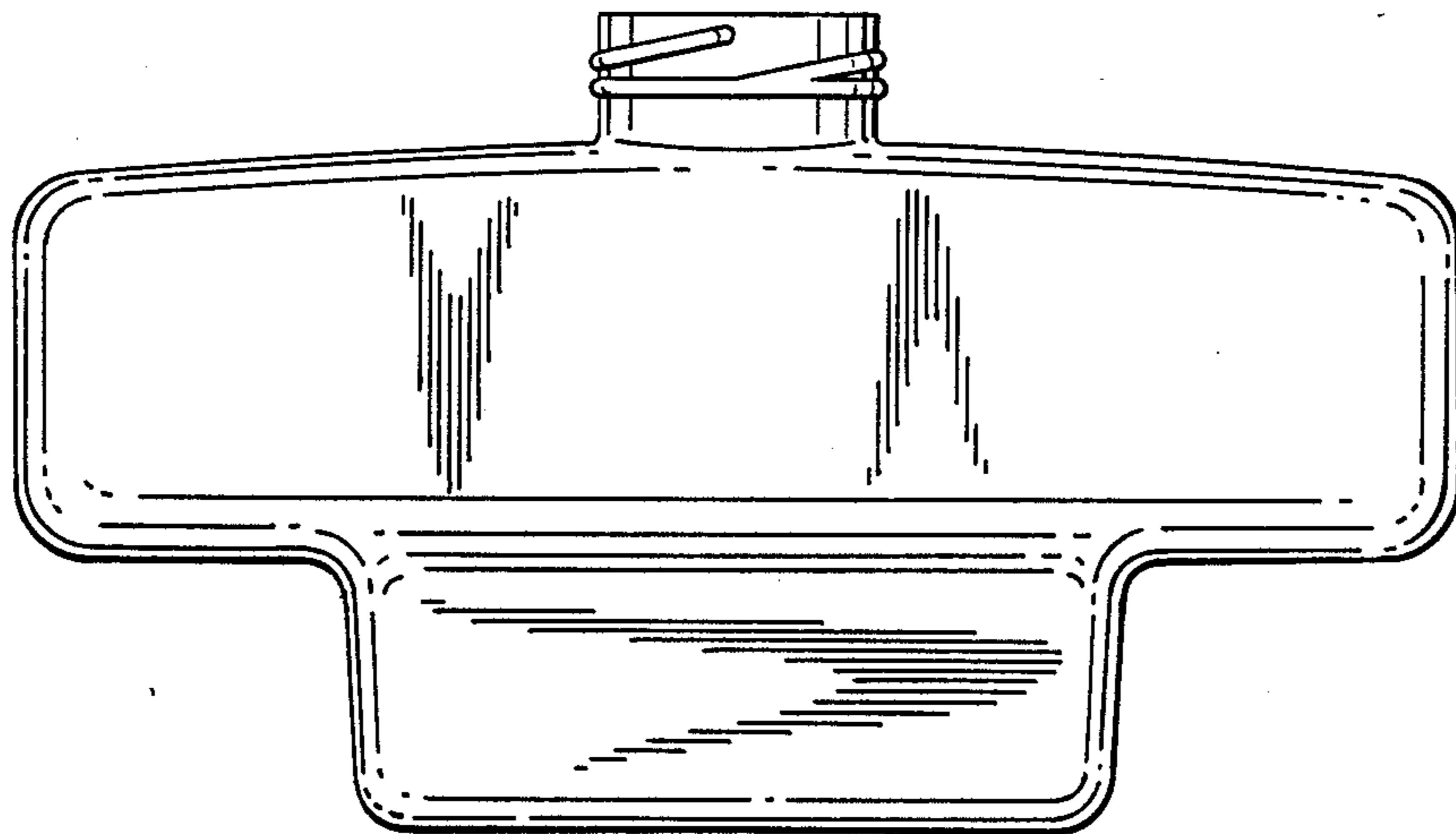


FIG. 4

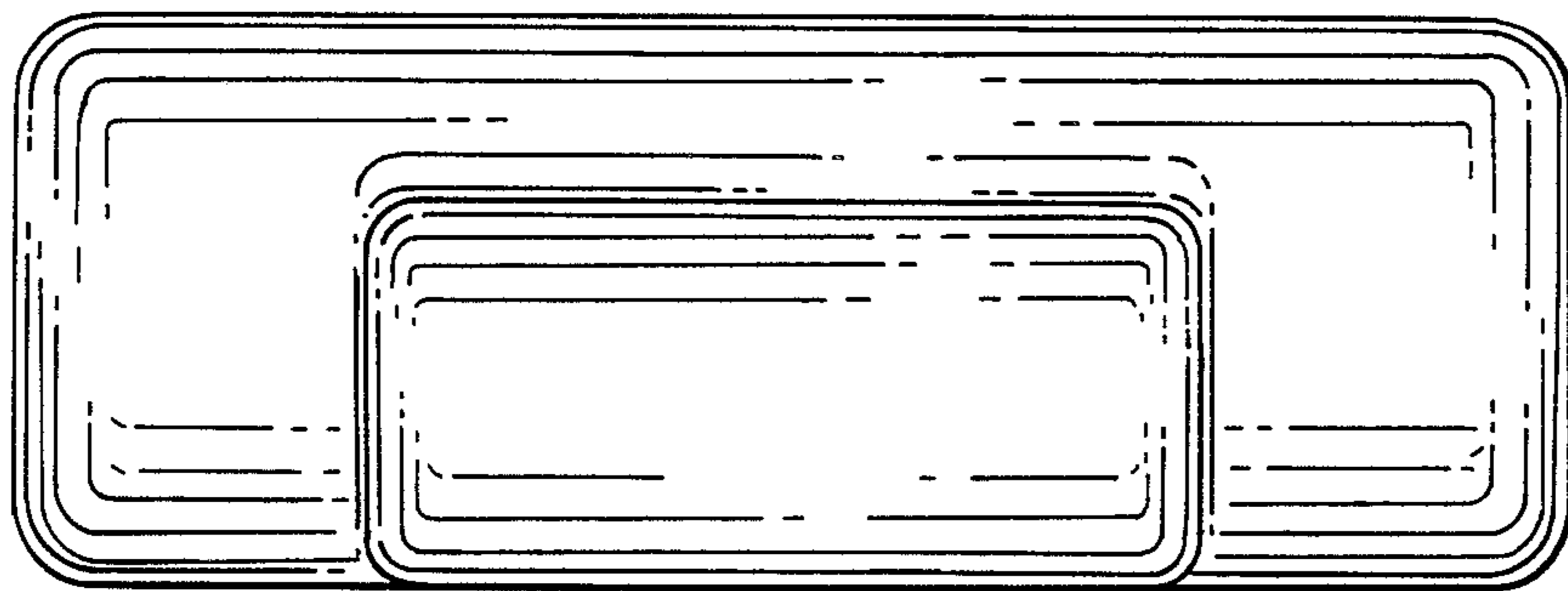


FIG. 5

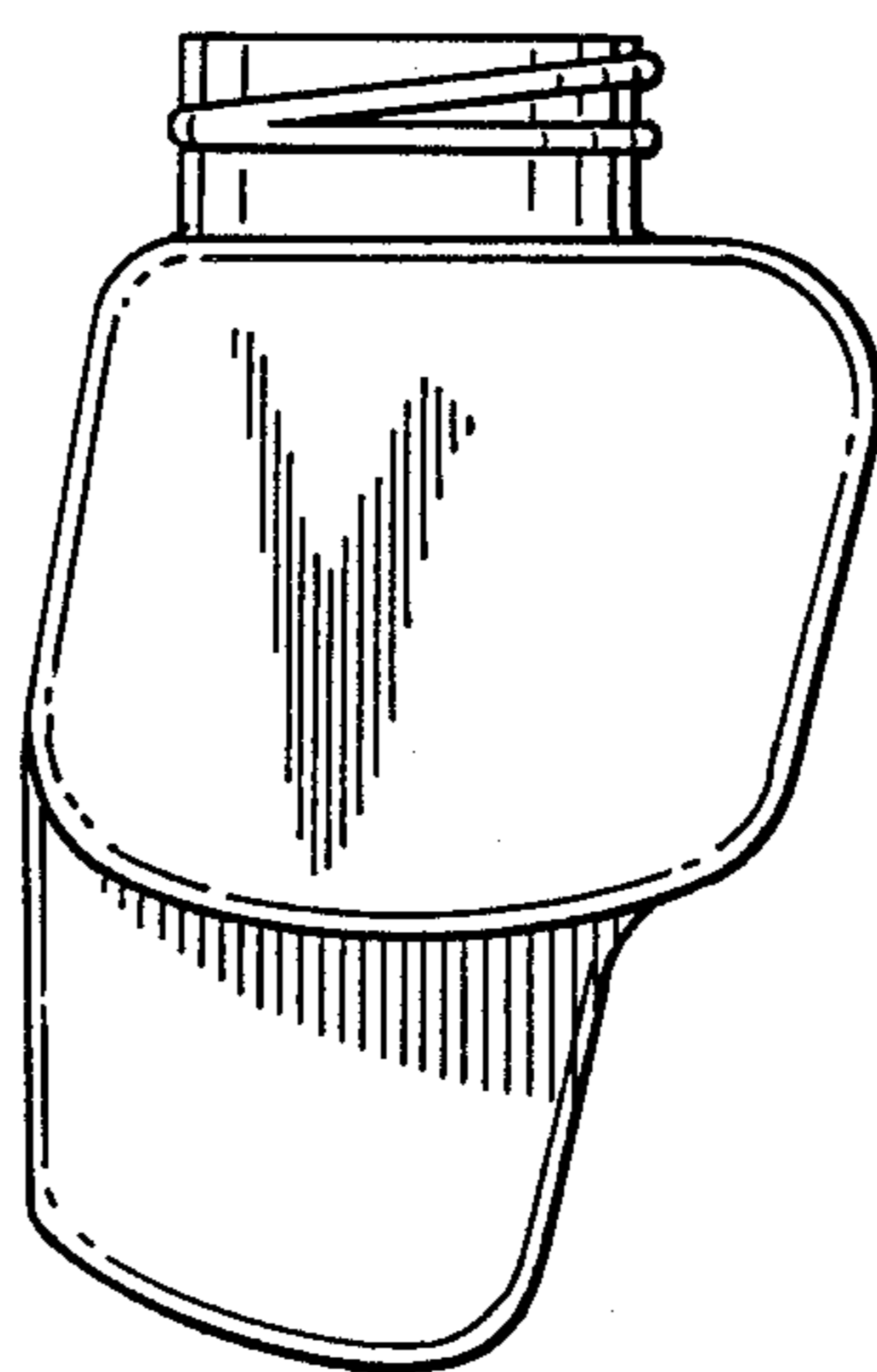


FIG. 6