

[54] WALL MOUNTED DISPENSING BOTTLE

1,988,865 1/1935 Campbell 222/181
3,814,294 6/1974 Stevenson 222/181
3,883,024 5/1975 Thomas 222/181

[75] Inventor: Michael W. Freitas, Irving, Tex.

[73] Assignee: Dexide, Inc., Fort Worth, Tex.

[**] Term: 14 Years

[21] Appl. No.: 885,436

[22] Filed: Jul. 14, 1986

[52] U.S. Cl. D9/373; D9/367

[58] Field of Search D9/337, 338, 347, 349,
D9/352, 353, 355, 367, 368, 369, 370, 372, 373,
374, 378, 379, 387, 390, 394, 399, 401, 403, 404,
406, 413, 428, 438; 220/66, 67, 75; 222/173,
181, 185; 215/1 A, 1 R, 1 C; 422/102

[56] References Cited

U.S. PATENT DOCUMENTS

D. 2,782	2/1912	Head	222/185
D. 48,215	11/1915	Zwack	D9/373
D. 267,858	2/1983	Spates	D9/373
D. 288,334	2/1987	Simons	D9/373
D. 297,310	8/1988	Mednis	D9/373

Primary Examiner—B. J. Bullock
Assistant Examiner—Celia A. Murphy
Attorney, Agent, or Firm—Richards, Medlock & Andrews

[57] CLAIM

The ornamental design for a wall mounted dispensing bottle, as shown and described.

DESCRIPTION

FIG. 1 is a perspective view of a wall mounted dispensing bottle showing my new design; the broken line showing of a portion of a wall being for illustrative purposes only.

FIG. 2 is a front elevational view thereof;

FIG. 3 is a right side elevational view thereof; the left side being a mirror image;

FIG. 4 is a top plan view thereof;

FIG. 5 is a rear elevational view thereof;

FIG. 6 is a bottom plan view thereof.

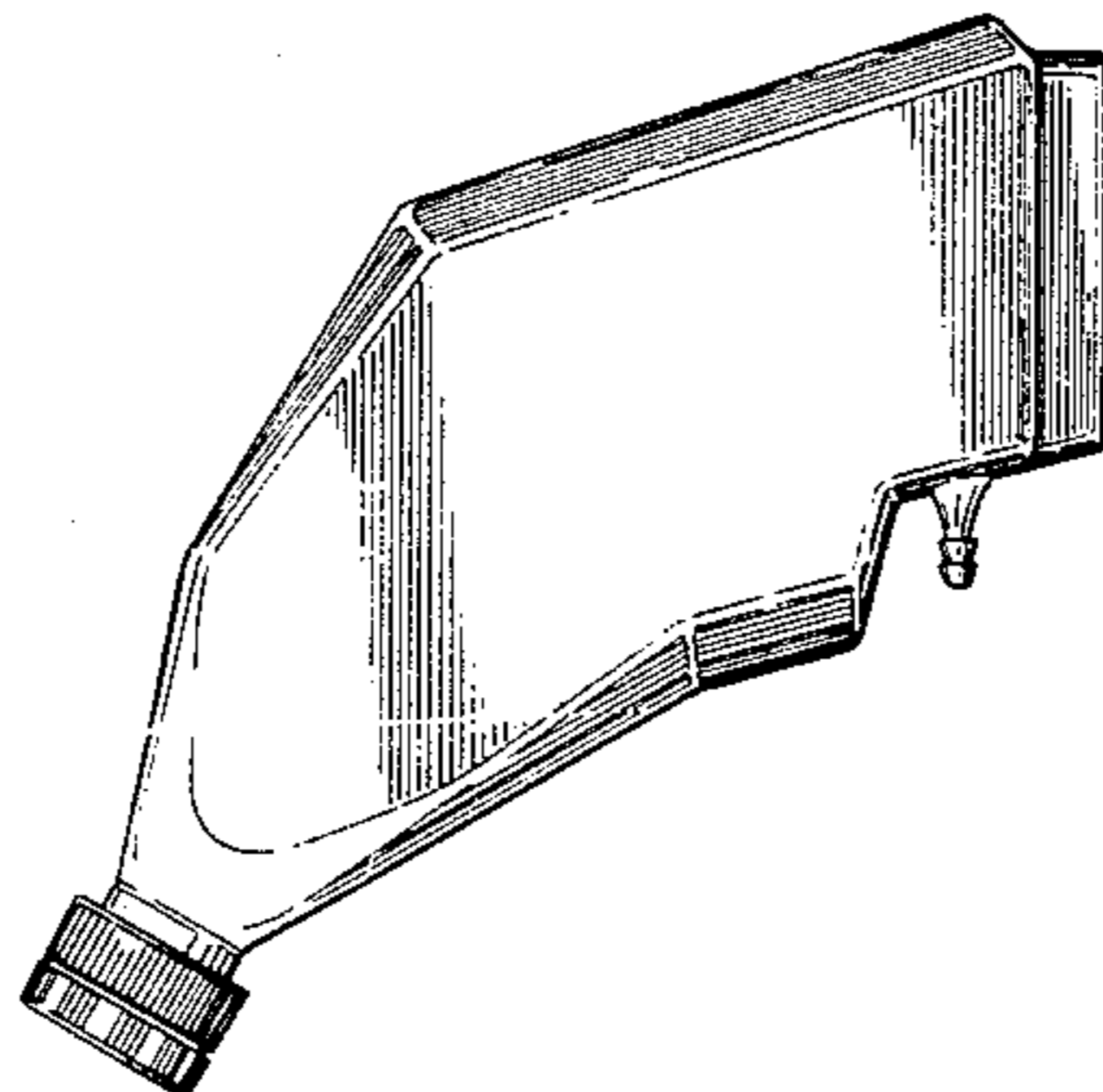
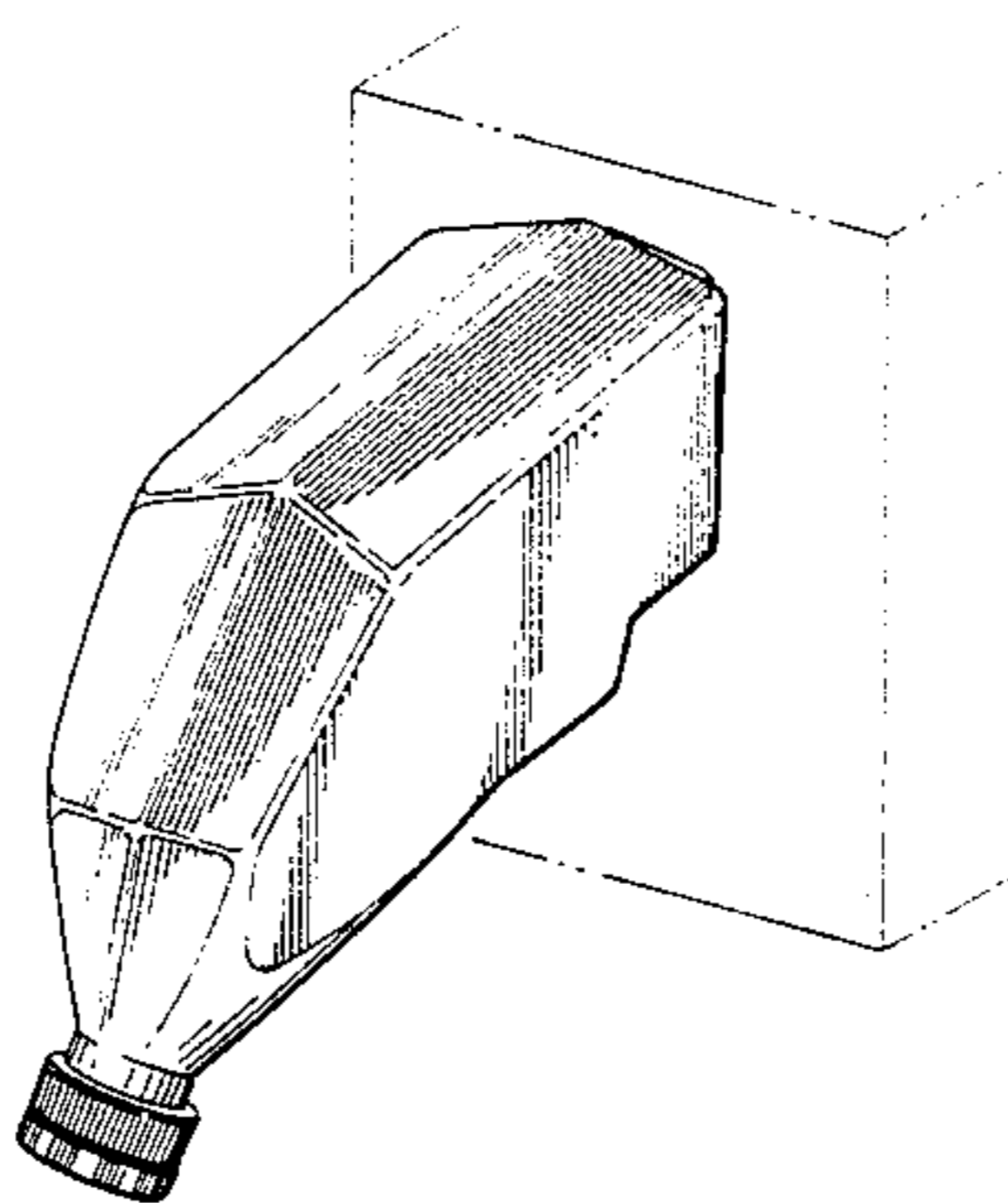


FIG. 1

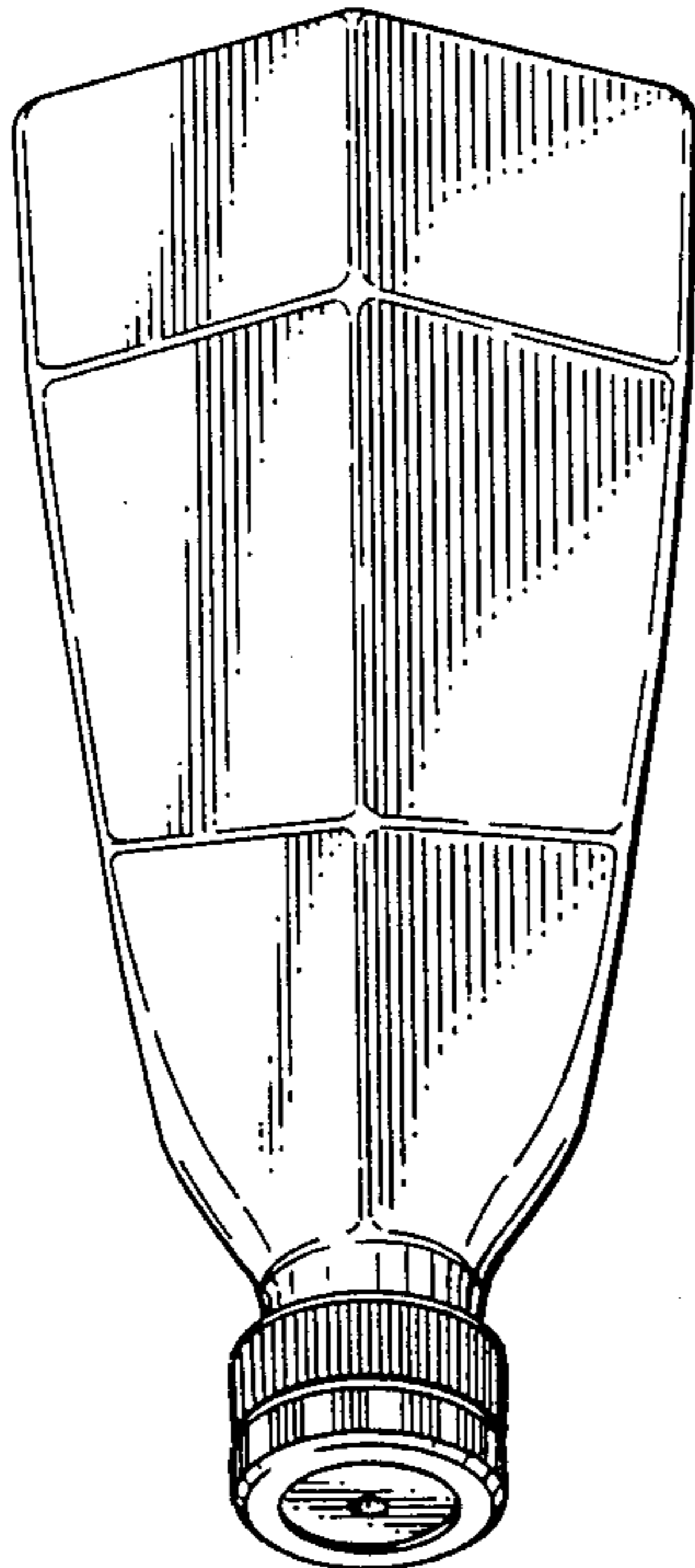
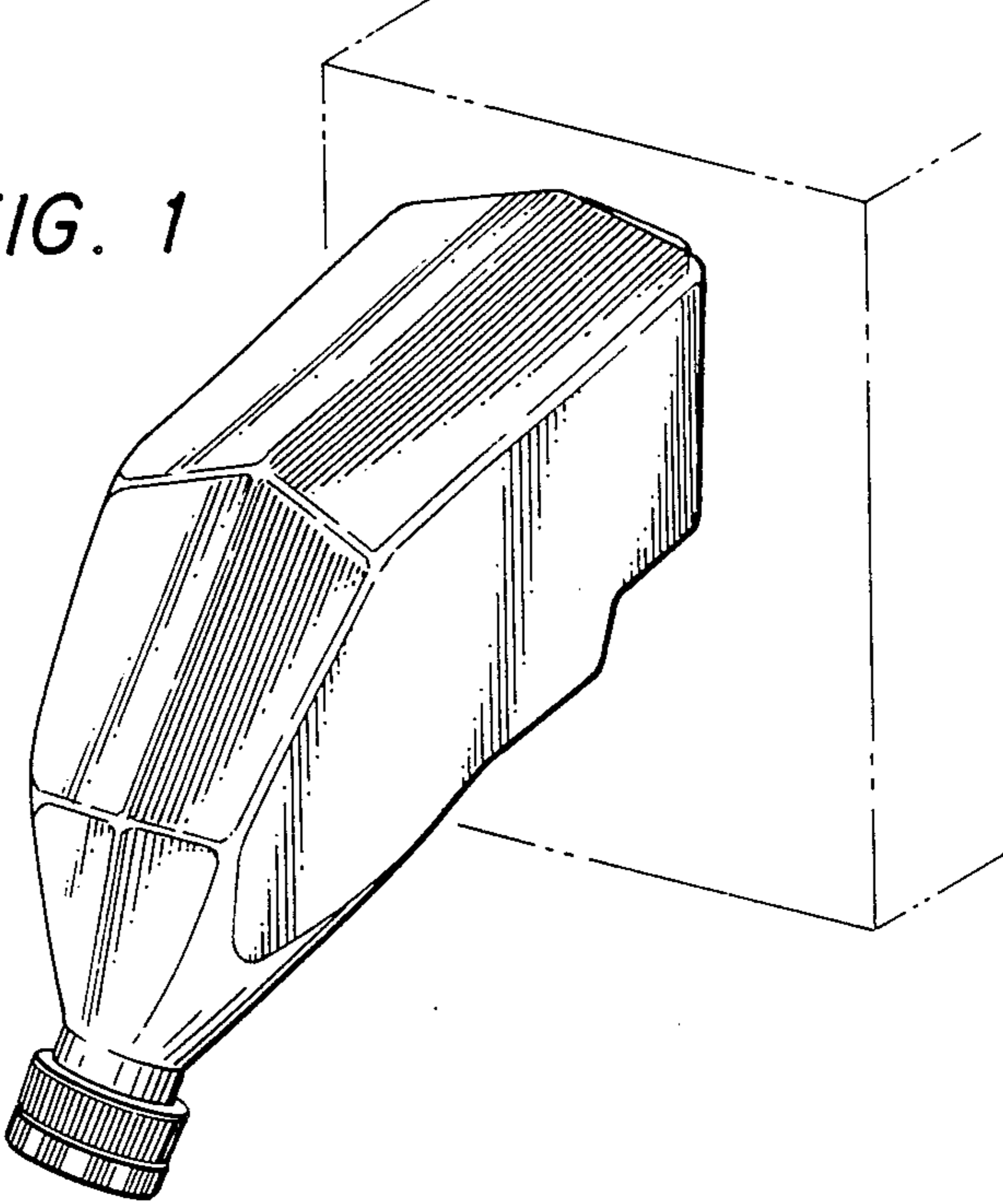


FIG. 2

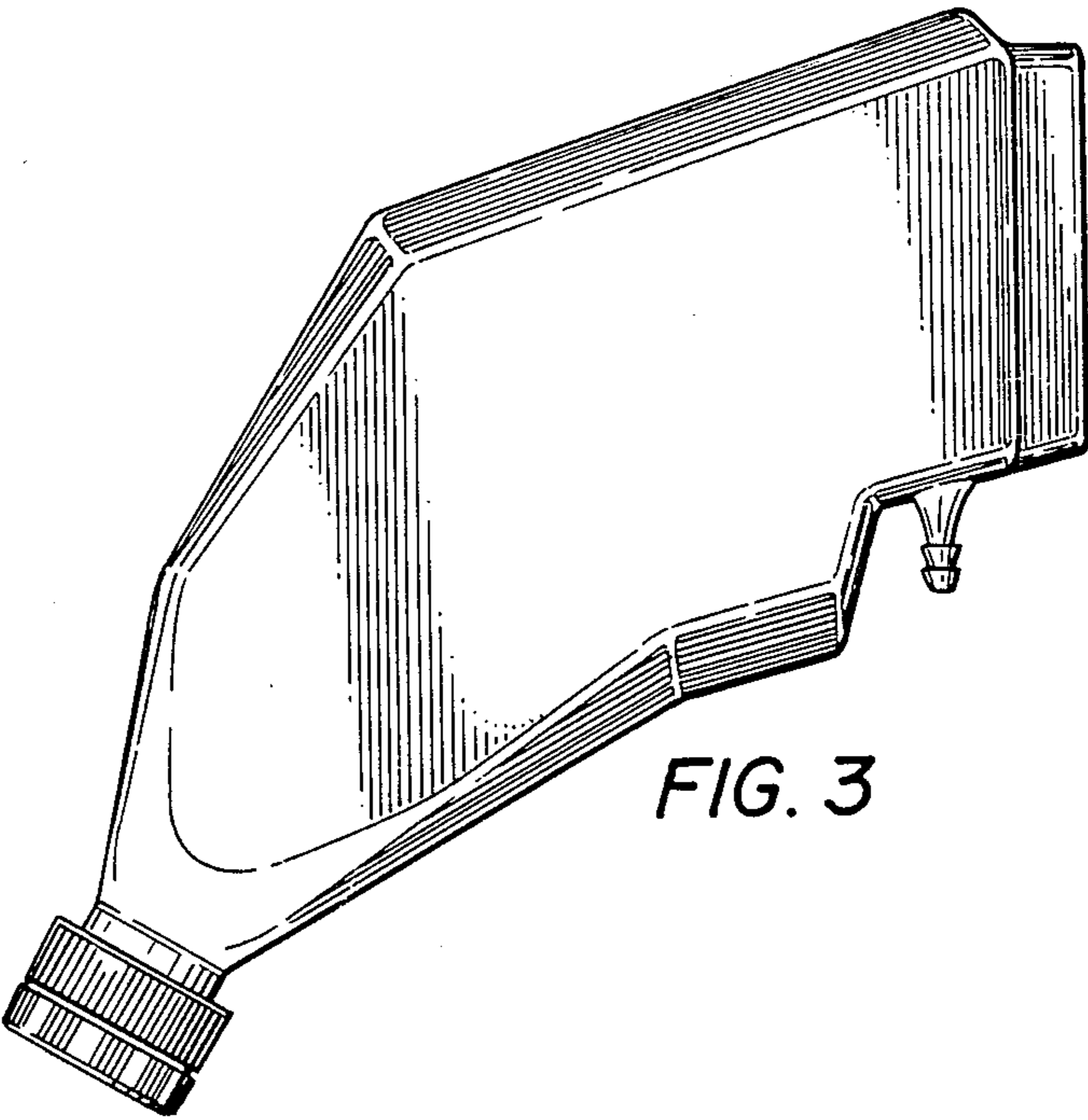


FIG. 3

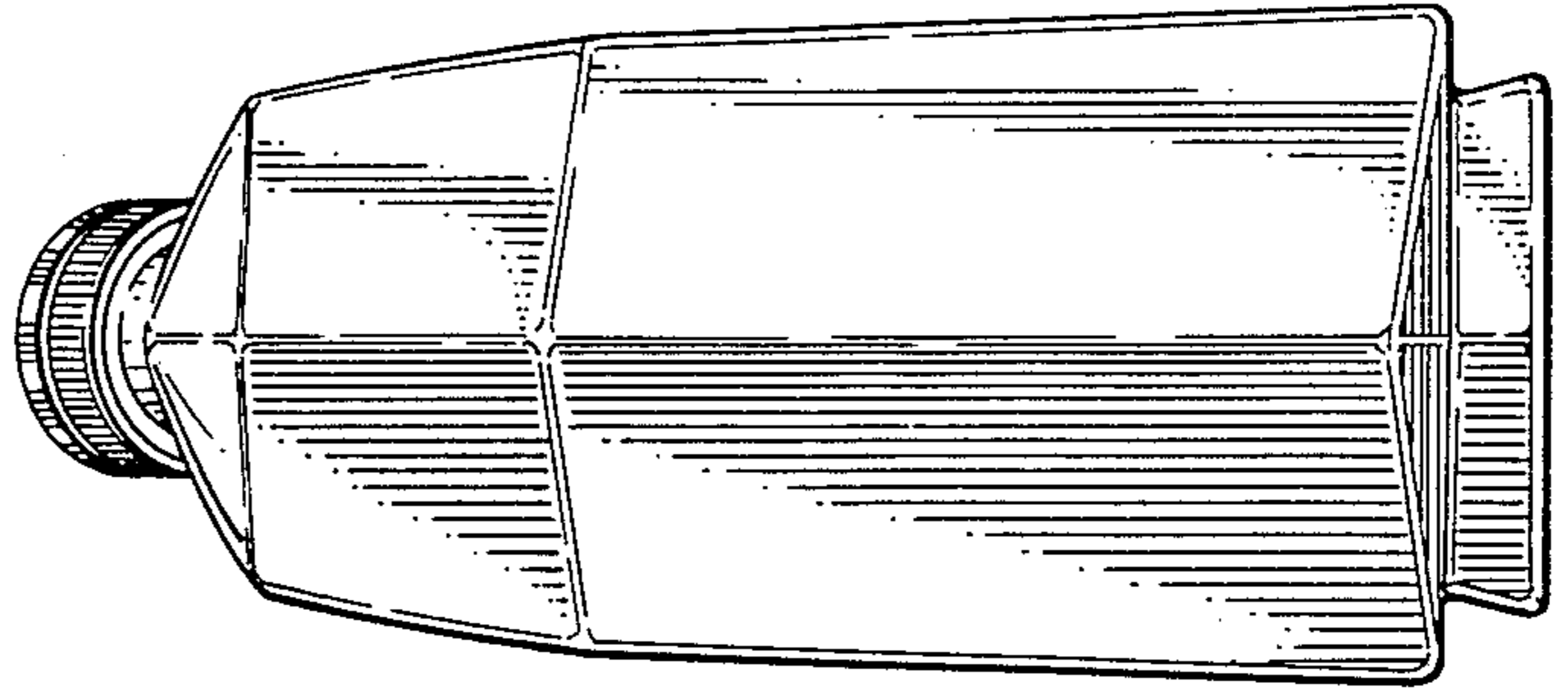


FIG. 4

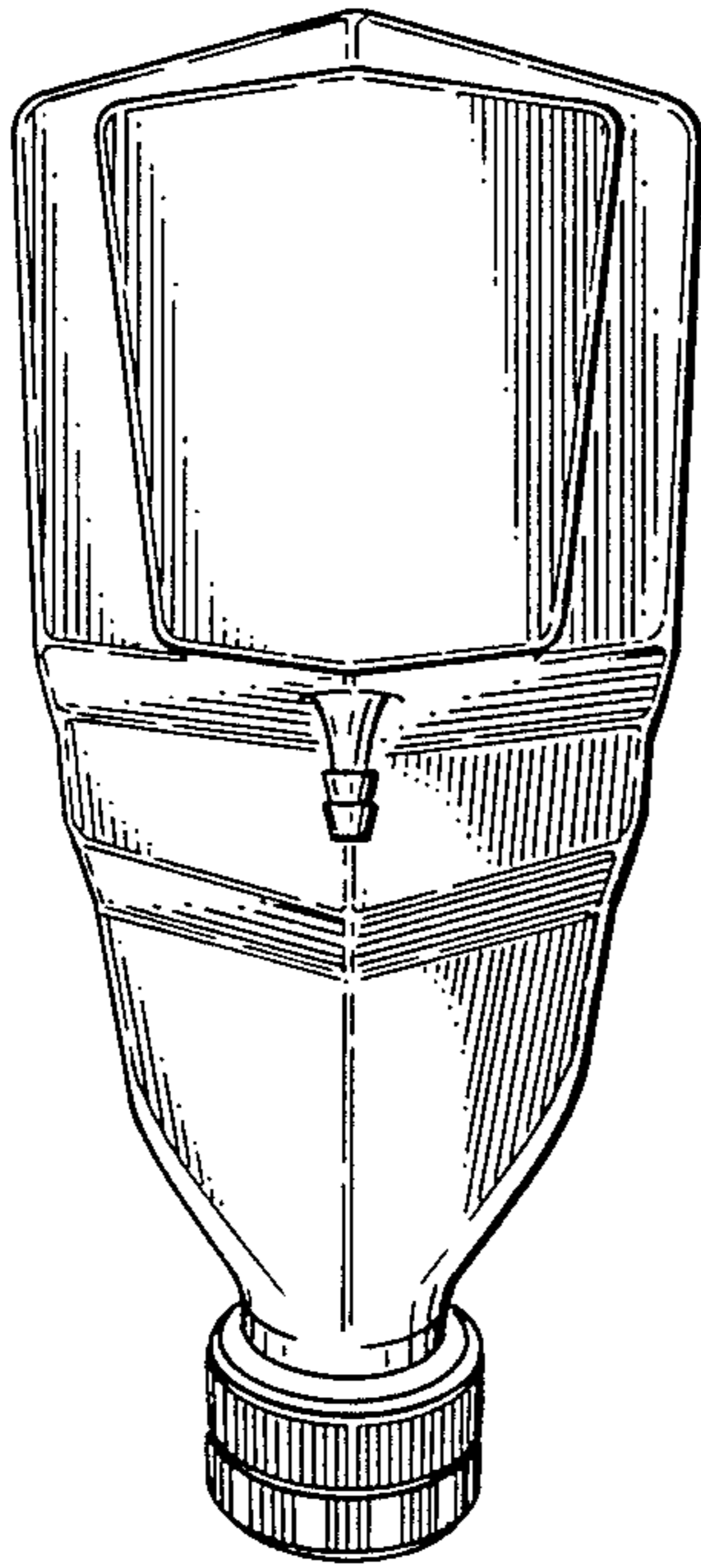


FIG. 5

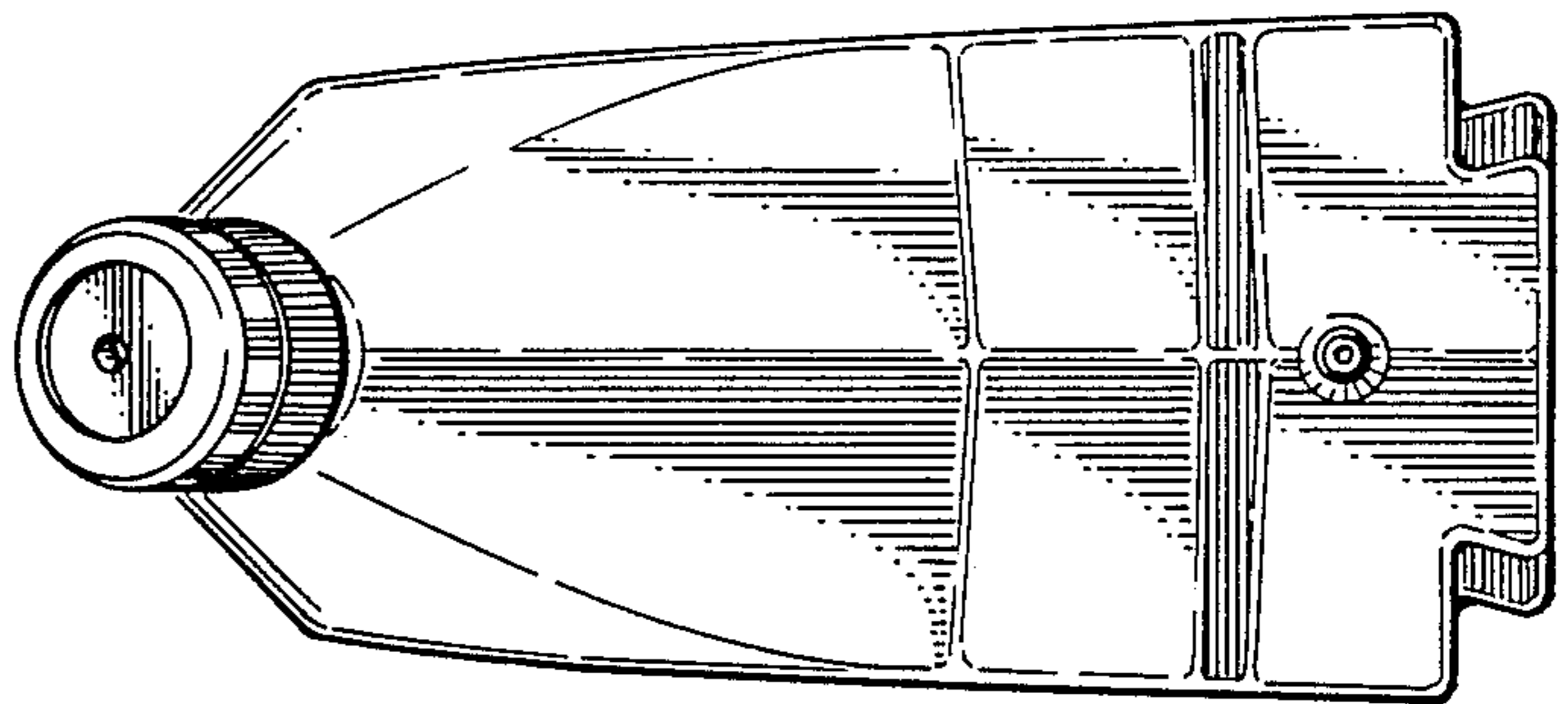


FIG. 6