

[54] PLATFORM CONTAINER WITH TRANSPARENT LID

[75] Inventor: Robert D. Holewinski, Lakehurst, N.J.

[73] Assignee: Johnson & Johnson Consumer Products, Inc., New Brunswick, N.J.

[**] Term: 14 Years

[21] Appl. No.: 842,049

[22] Filed: Mar. 10, 1986

[52] U.S. Cl. D9/347; D9/414

[58] Field of Search D3/30.1, 74; D7/38; D9/347, 341, 345, 415; D6/471, 470; D19/77, 92, 78, 85; 206/371, 460, 461, 495, 557, 558, 561, 562, 563

[56] References Cited

U.S. PATENT DOCUMENTS

D. 280,741 9/1985 Chatham D9/347

D. 288,234 2/1987 Blatherwick et al. D24/31
D. 288,482 2/1987 Blatherwick et al. D24/31

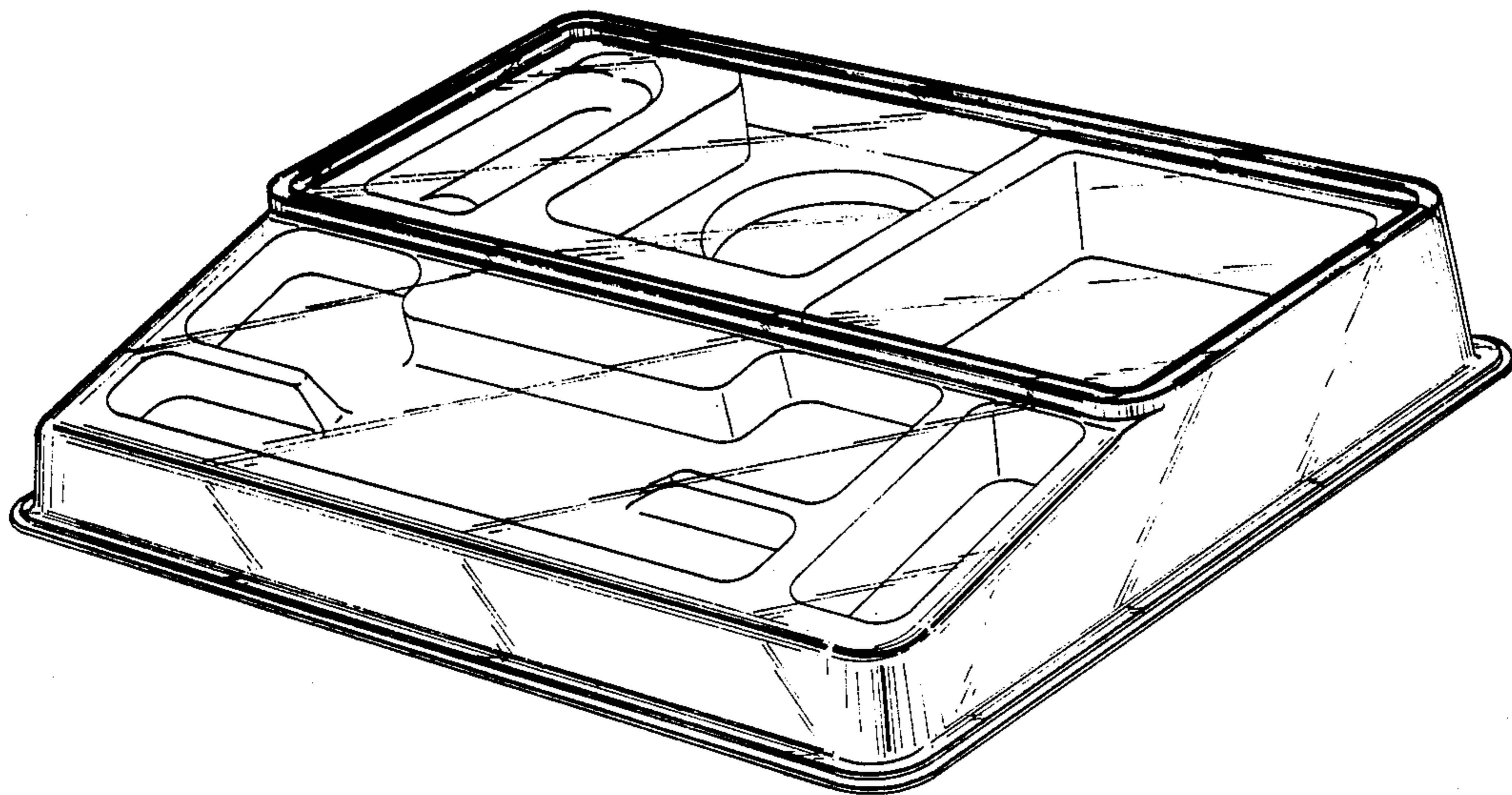
Primary Examiner—Louis S. Zarfes
Assistant Examiner—R. T. Seifert

[57] CLAIM

The ornamental design for platform container with transparent lid, as shown and described.

DESCRIPTION

FIG. 1 is a perspective view of a platform container with transparent lid showing my new design; FIG. 2 is a top plan view thereof; FIG. 3 is a front elevational view thereof; FIG. 4 is a side elevational view thereof; FIG. 5 is a rear elevational view thereof; FIG. 6 is a bottom plan view thereof; and FIG. 7 is a perspective view of a platform container with transparent lid resting on its lid. The broken line showing of articles in FIG. 7 is for illustrative purposes only and forms no part of the claimed design.



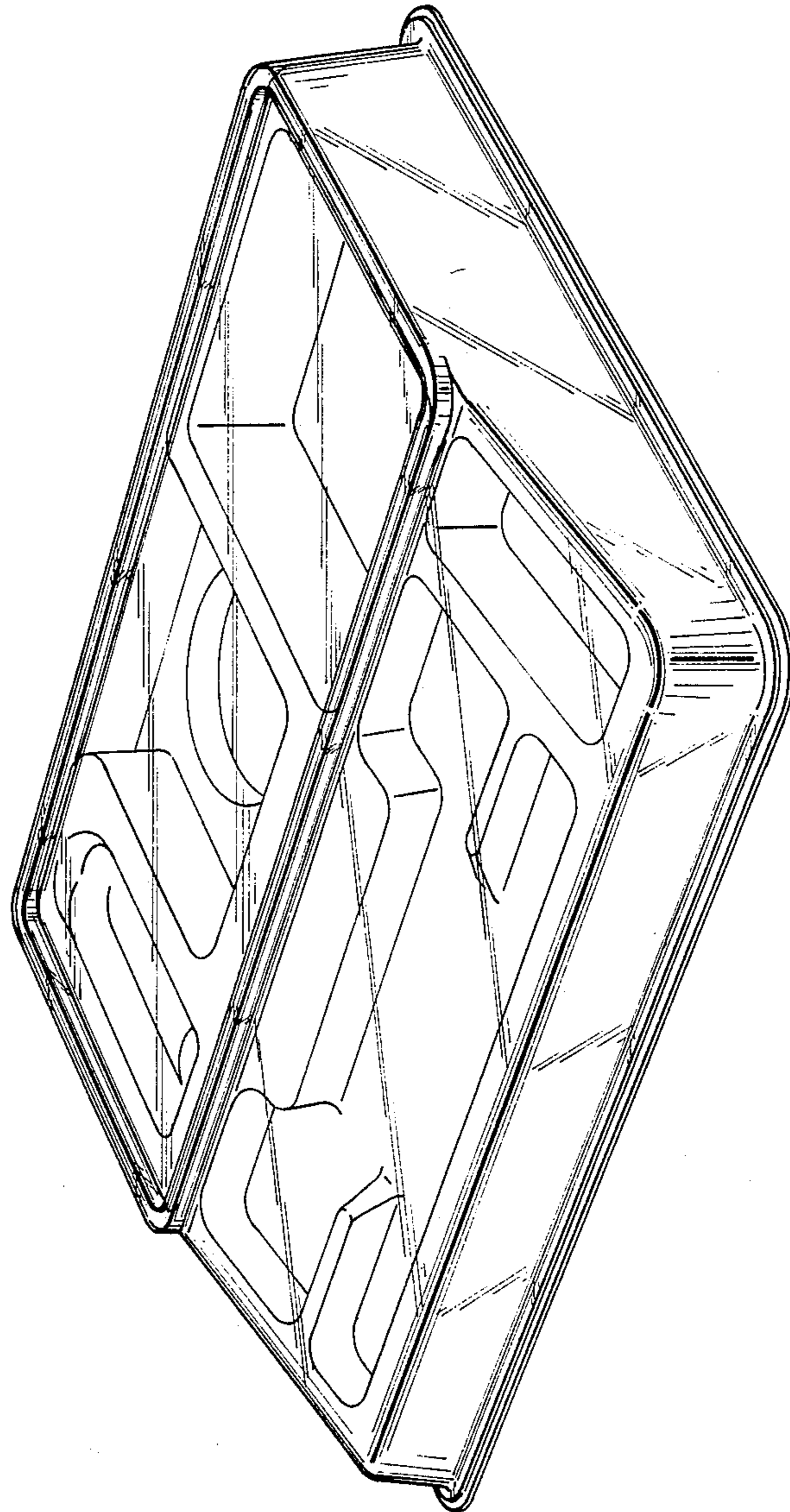


FIG-1

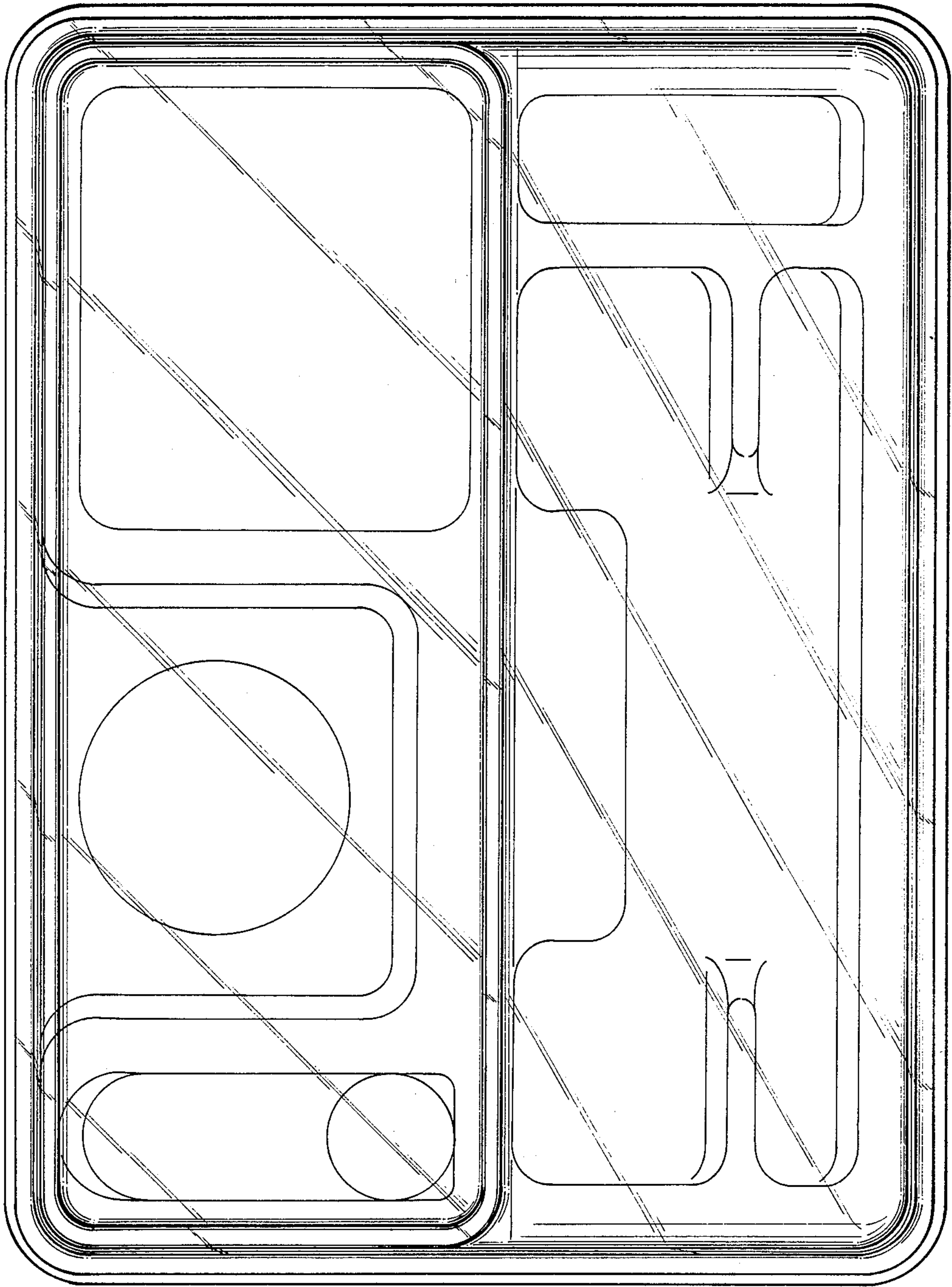


FIG-2

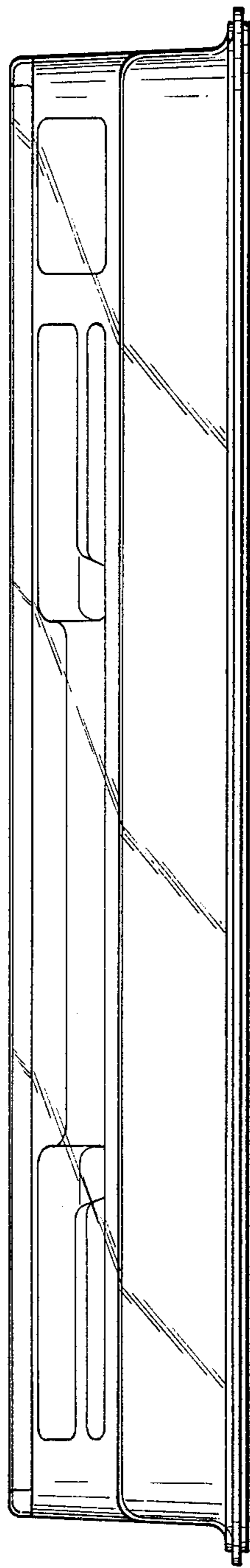


FIG-3

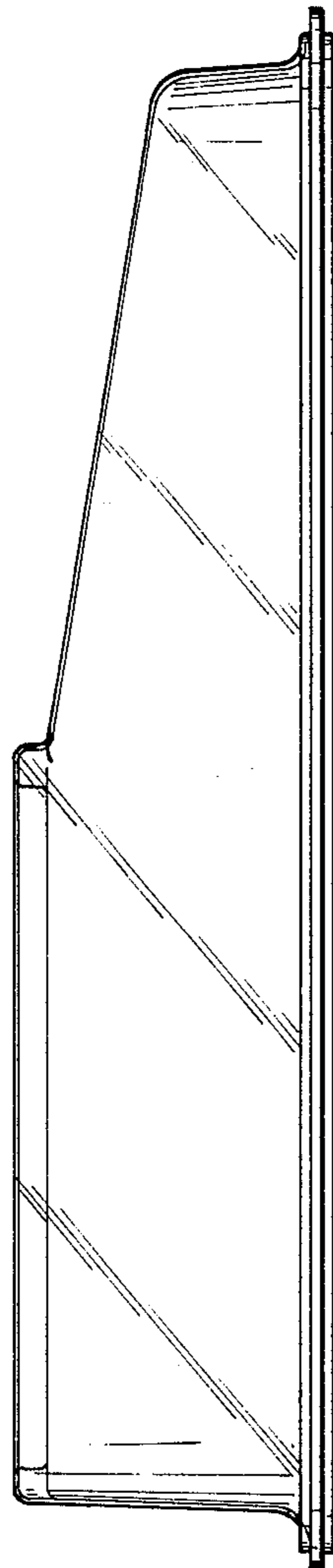


FIG-4

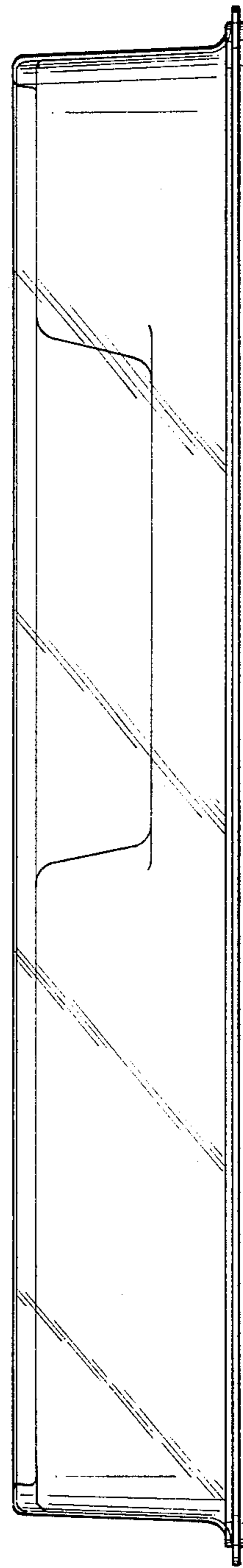


FIG-5

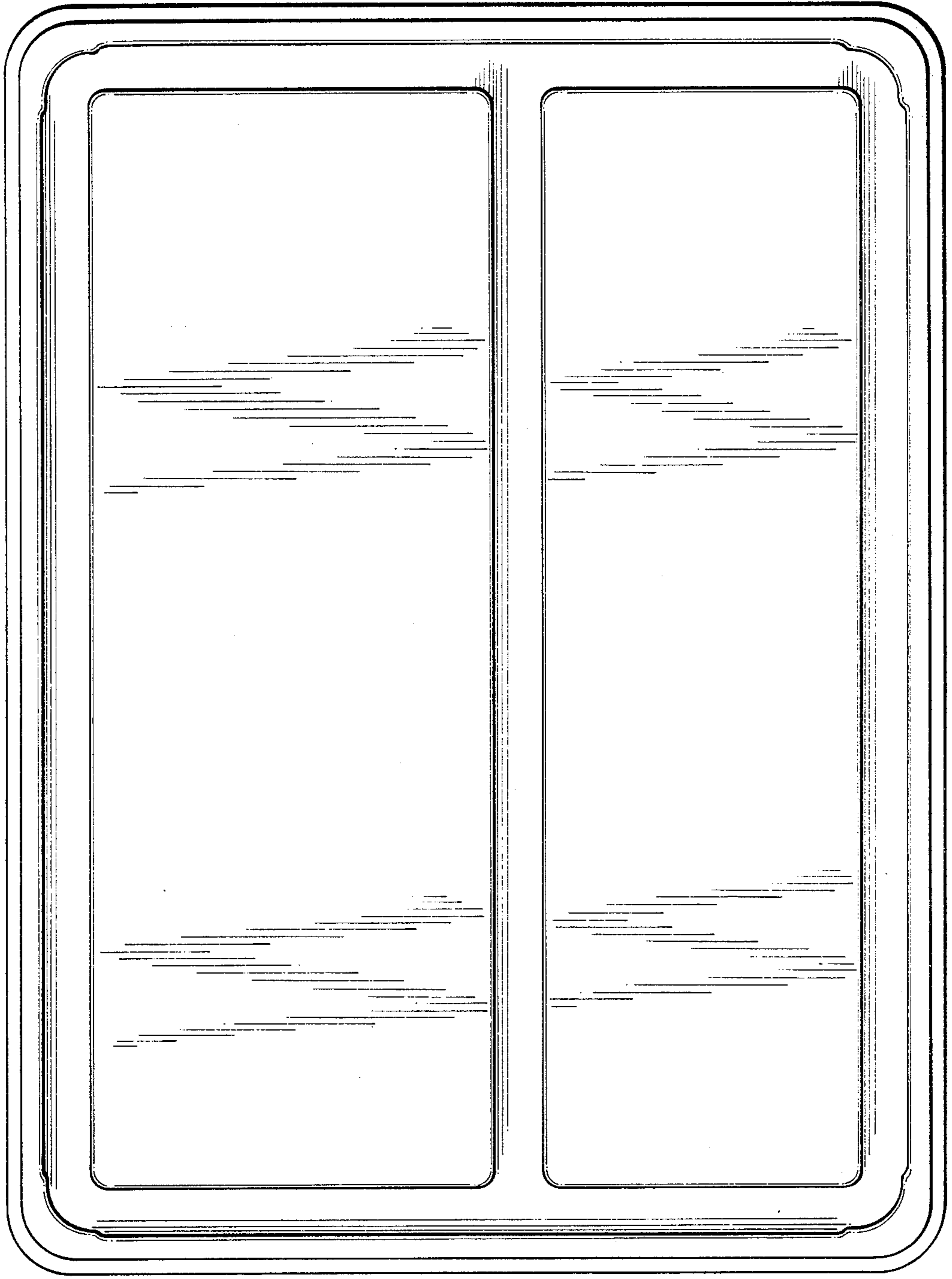


FIG-6

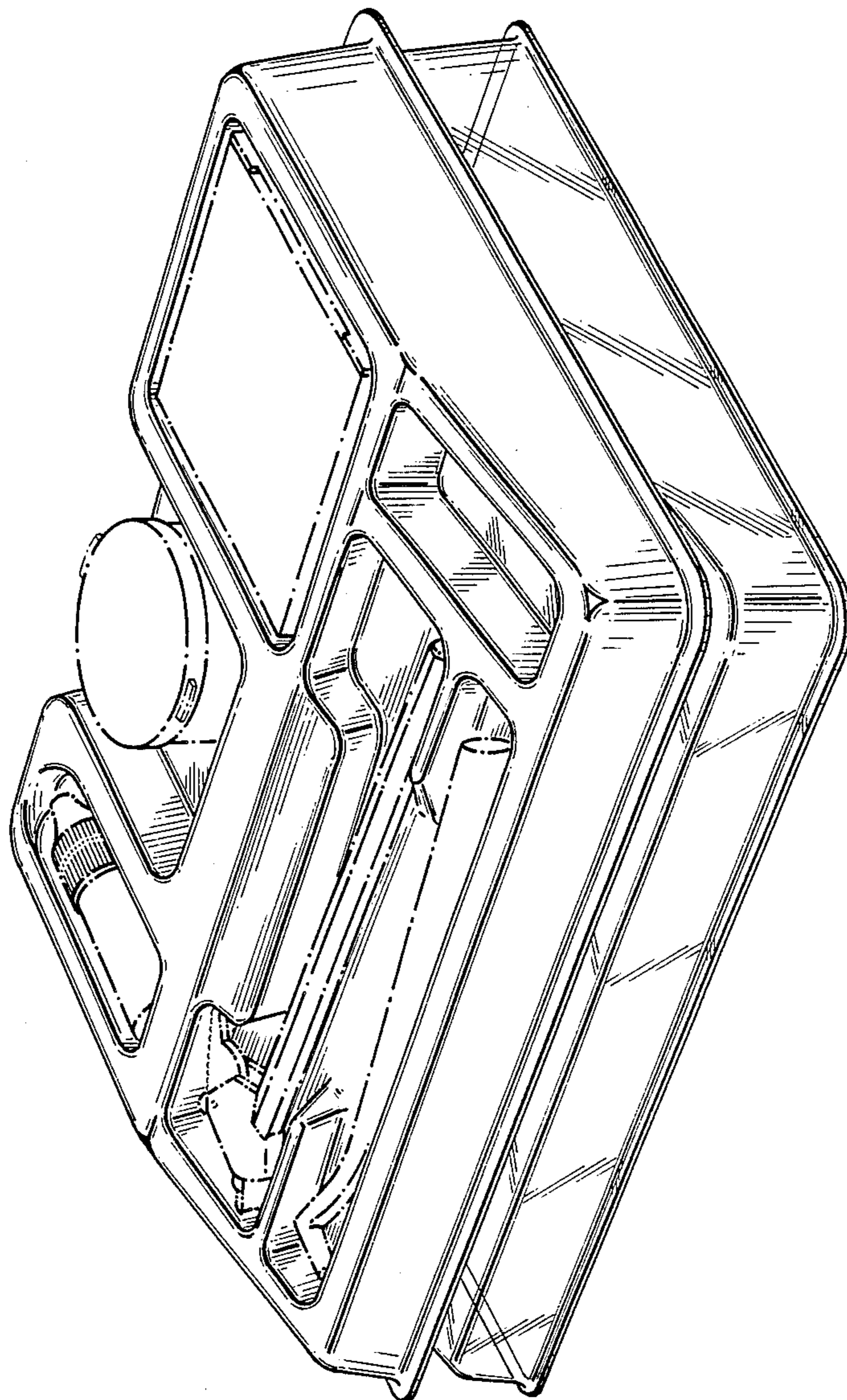


FIG-7