

[54] COAT HANGER RACK

[75] Inventor: Harold K. Hurrelbrink, Hinsdale, Ill.

[73] Assignee: Magnuson Group, Burr Ridge, Ill.

[**] Term: 14 Years

[21] Appl. No.: 855,774

[22] Filed: Aug. 25, 1986

[52] U.S. Cl. D8/373; D8/367

[58] Field of Search D8/354, 367, 371, 372, D8/373; 248/215, 340, 301, 316.7

[56] References Cited

U.S. PATENT DOCUMENTS

D. 252,088	6/1979	Johansson	D8/367 X
D. 267,604	1/1983	Peabody et al.	D8/367
1,902,241	3/1933	Jones	248/340
2,516,617	7/1950	Coughlin	248/215 X
3,536,287	10/1970	Kramer	248/301
3,870,428	3/1975	Jackson	248/301 X
3,874,035	4/1975	Schuplin	248/340 X
3,891,176	6/1975	Downing et al.	248/340
4,335,864	6/1982	Merlini	248/316.7
4,387,873	6/1983	Pavlo et al.	248/215 X
4,405,109	9/1983	Murdoch	248/215

Primary Examiner—Horace B. Fay, Jr.

Attorney, Agent, or Firm—Donald A. Peterson; Herbert D. Hart, III

[57] CLAIM

The ornamental design for a coat hanger rack, as shown and described.

DESCRIPTION

FIG. 1 is a left side, top and front perspective view of a coat hanger rack showing my new design;

FIG. 2 is a top plan view thereof;

FIG. 3 is a front elevational view thereof;

FIG. 4 is a right side elevational view thereof, the side opposite being a mirror image;

FIG. 5 is a rear elevational view thereof;

FIG. 6 is a bottom plan view thereof;

FIG. 7 is a left, top and front perspective view of a second embodiment thereof;

FIG. 8 is a top plan view thereof;

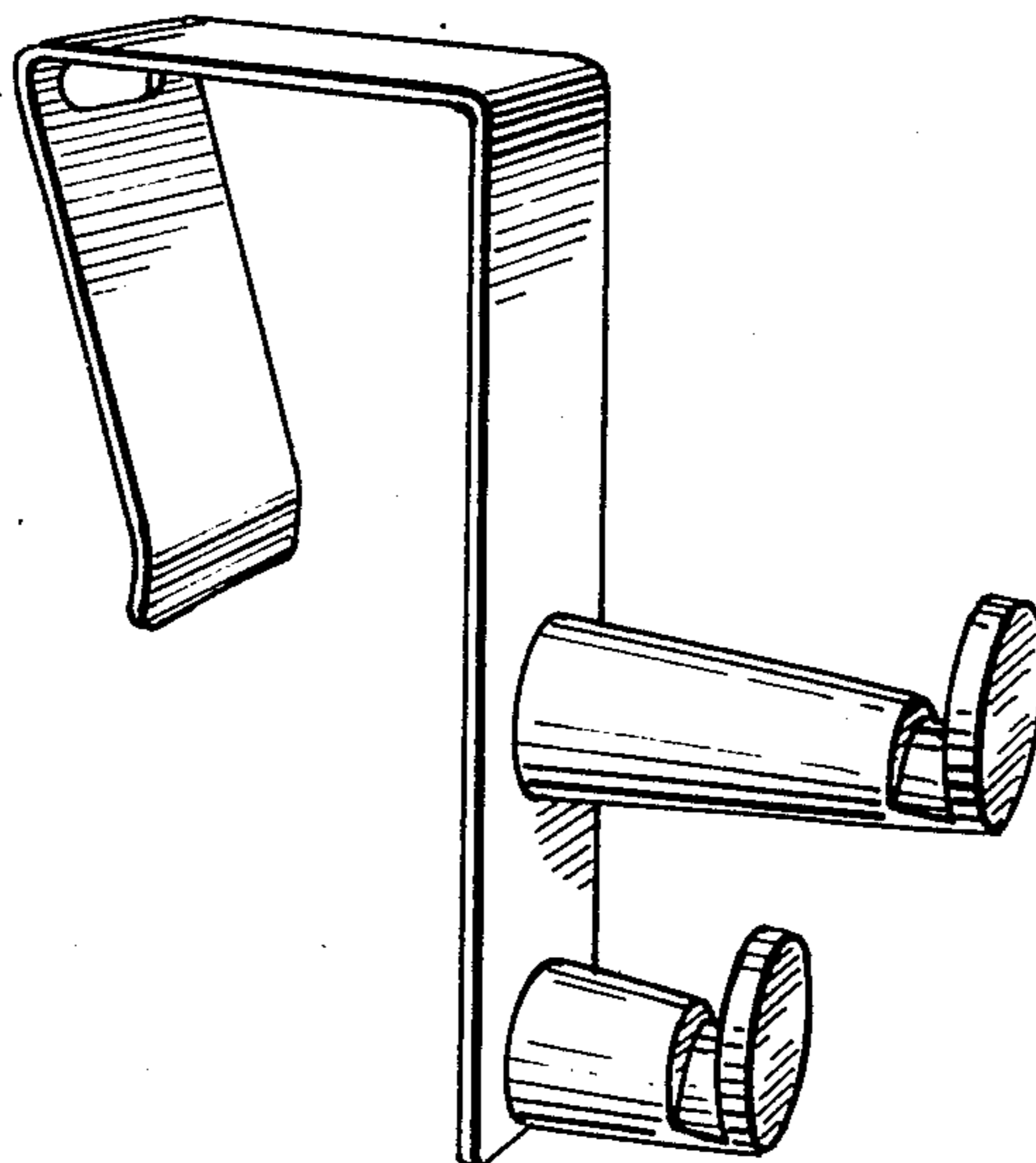
FIG. 9 is a front elevational view thereof;

FIG. 10 is a right side elevational view thereof, the side opposite being a mirror image;

FIG. 11 is a rear elevational view thereof; and

FIG. 12 is a bottom plan view thereof.

The broken line showing of a partition and coat hanger in FIG. 1 is for illustrative purposes only and forms no part of the claimed design.



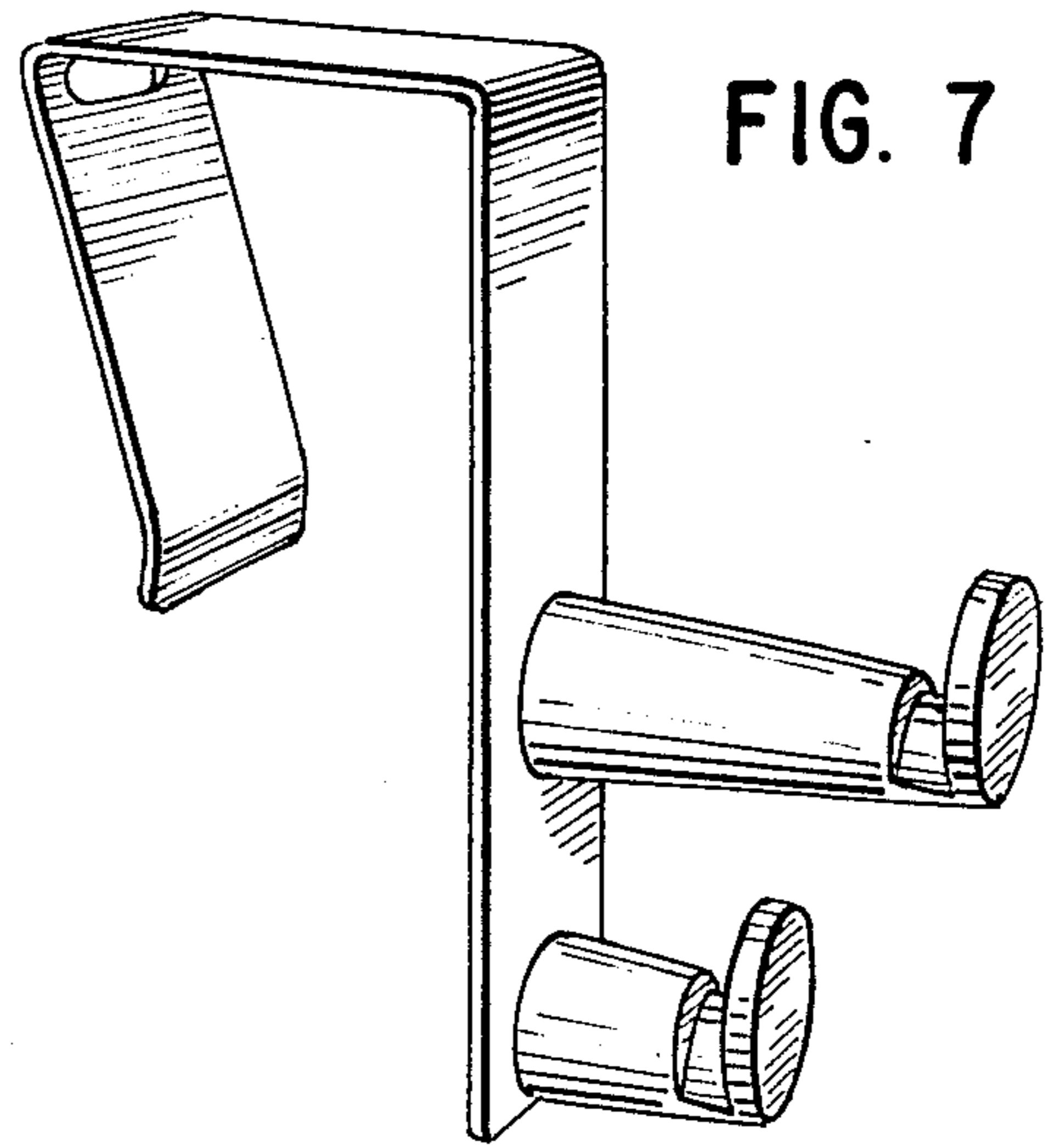
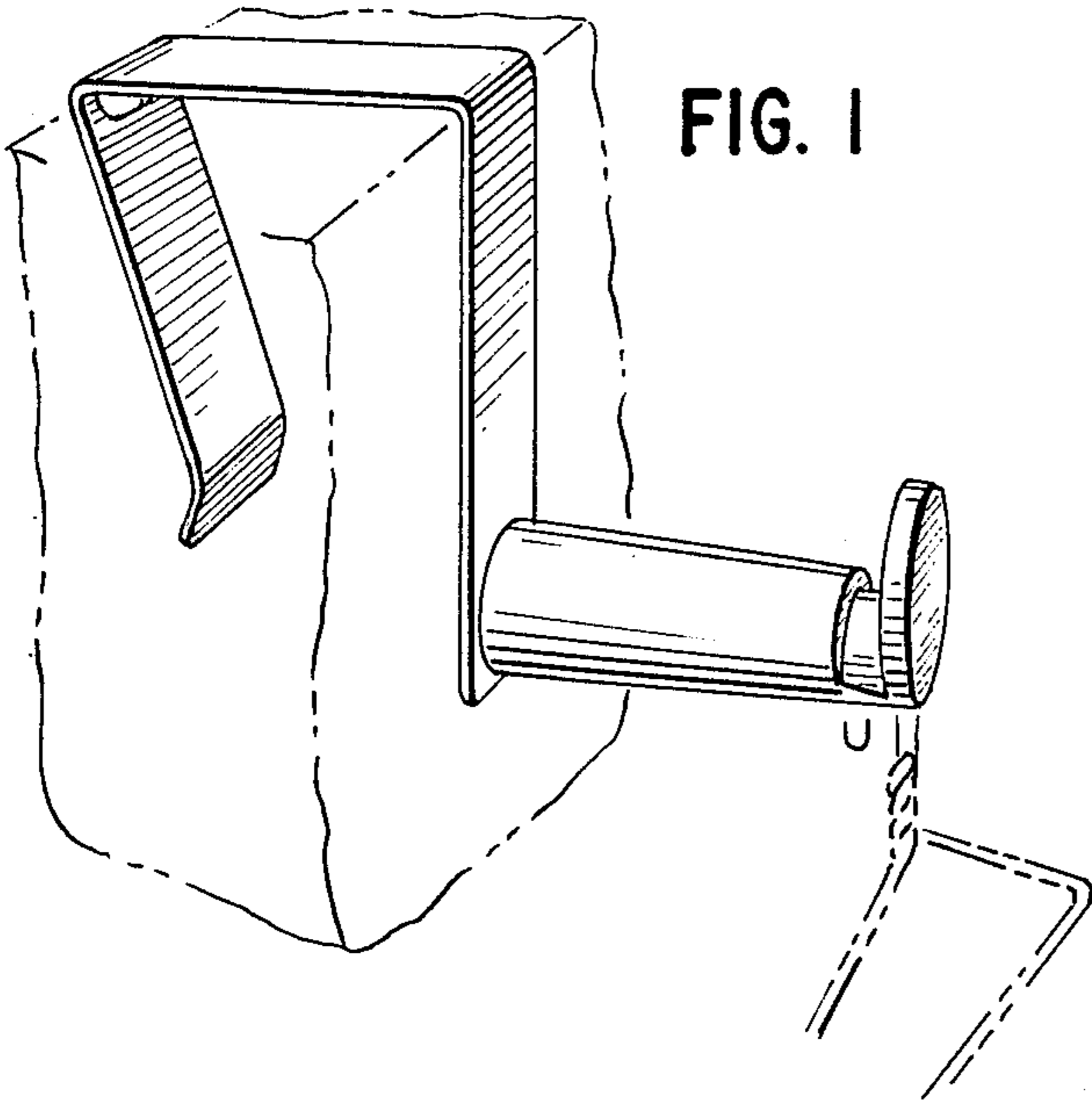


FIG. 2

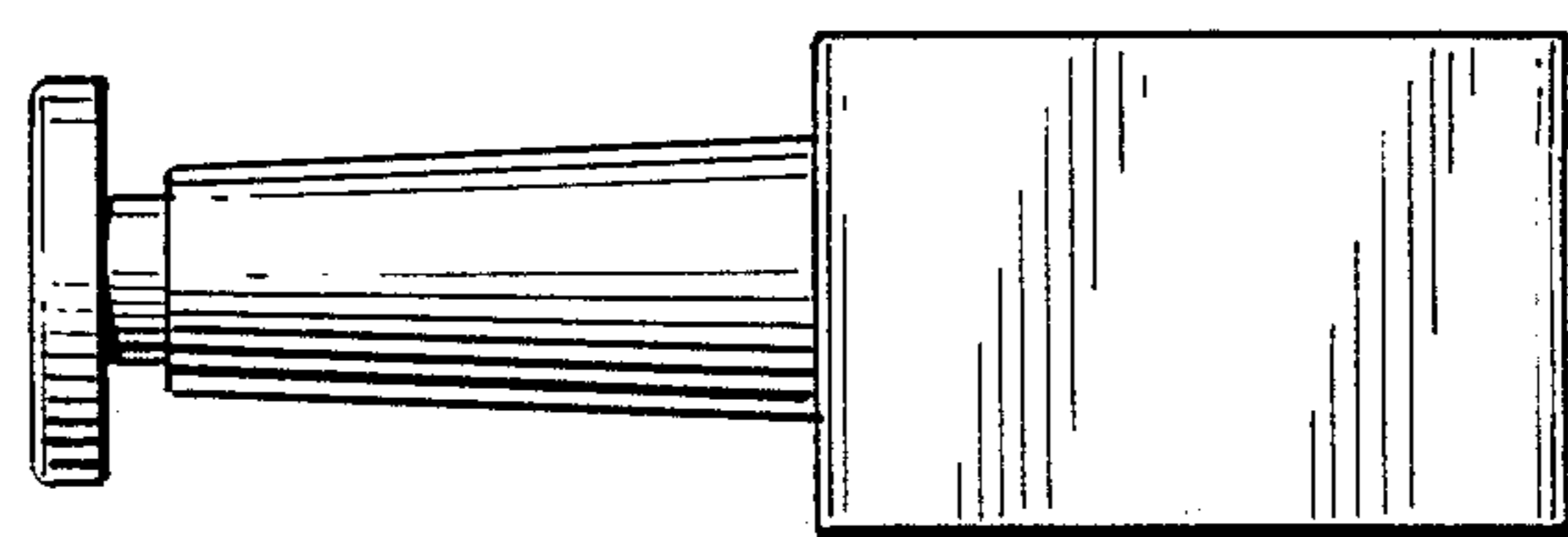


FIG. 3

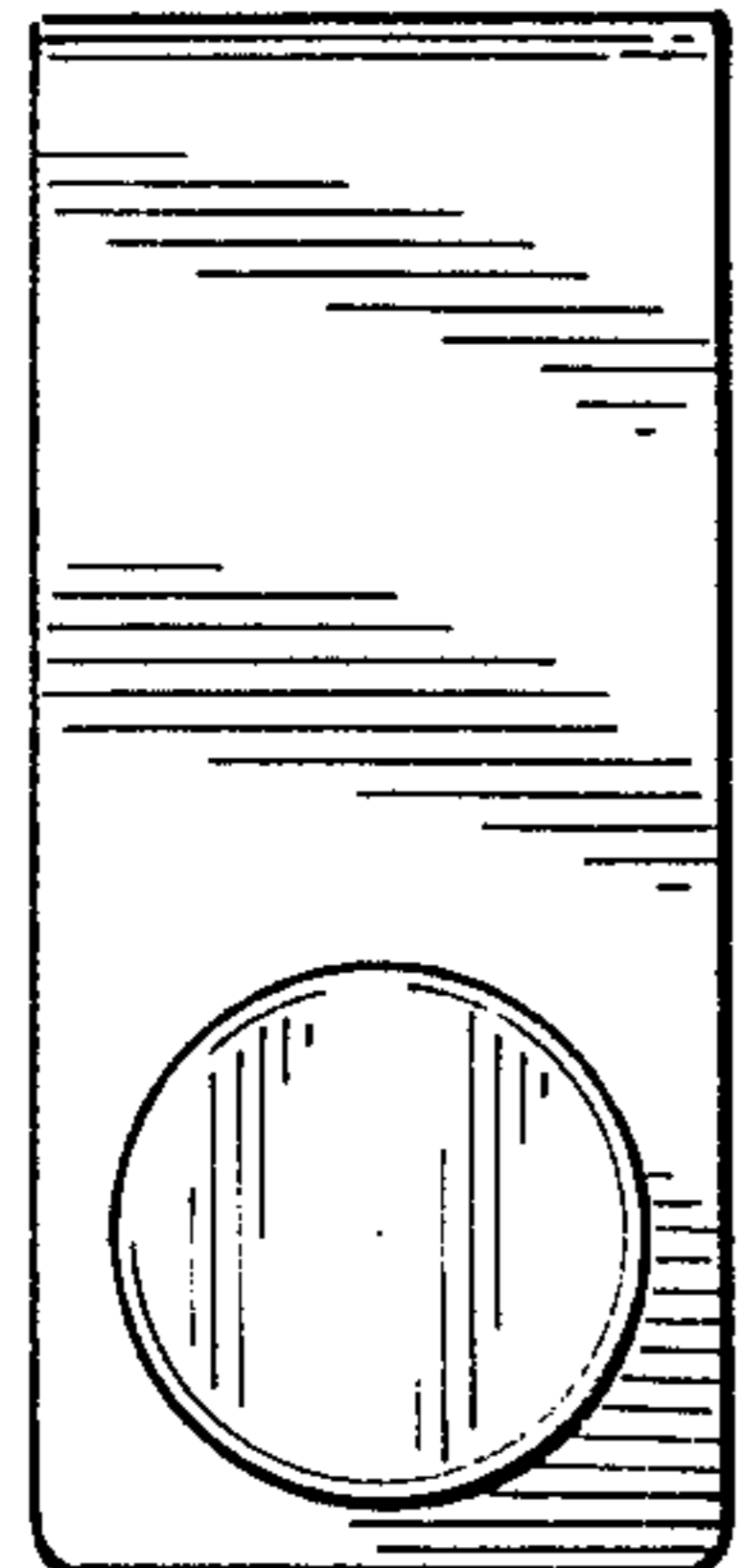


FIG. 4

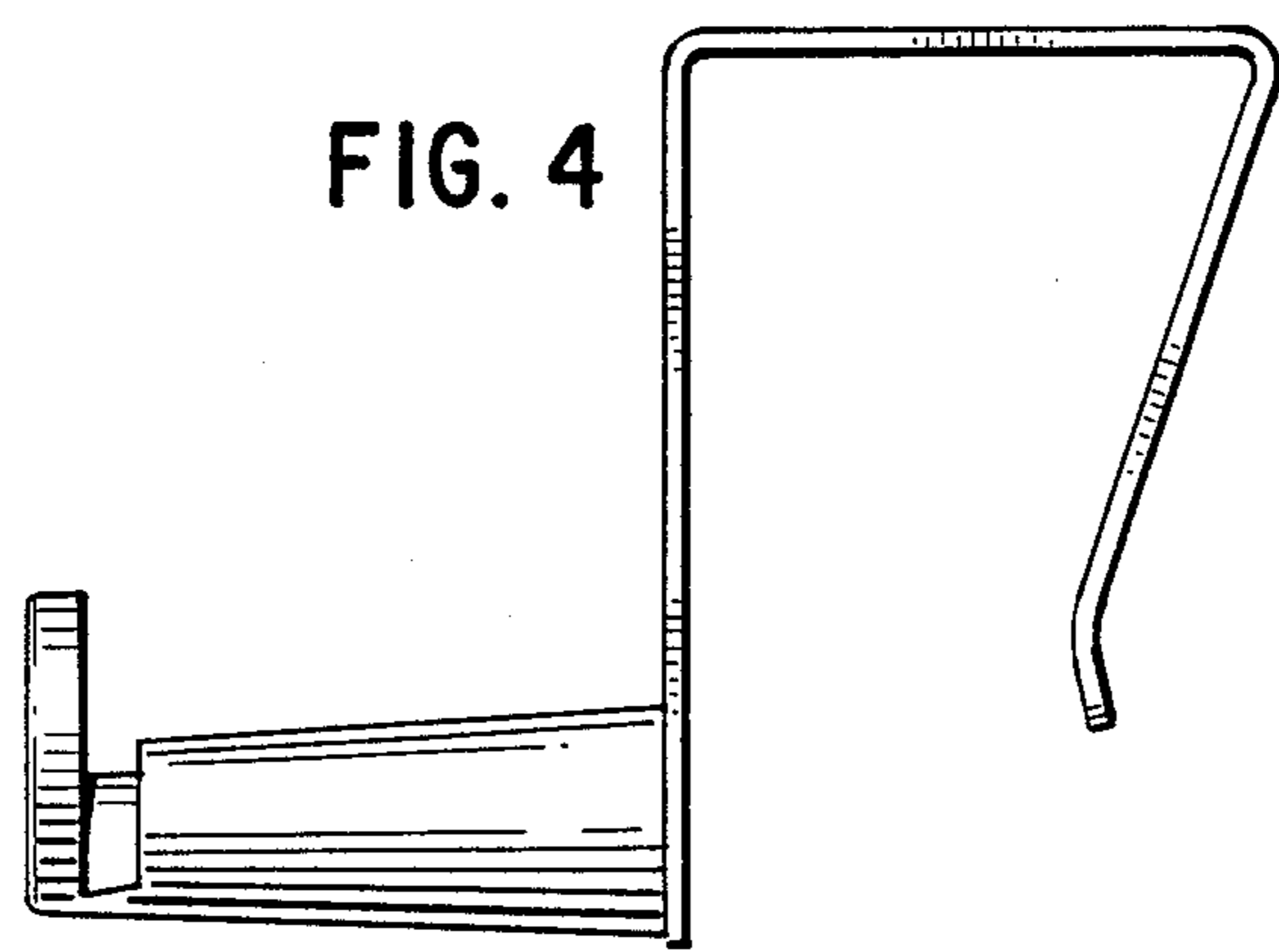


FIG. 5

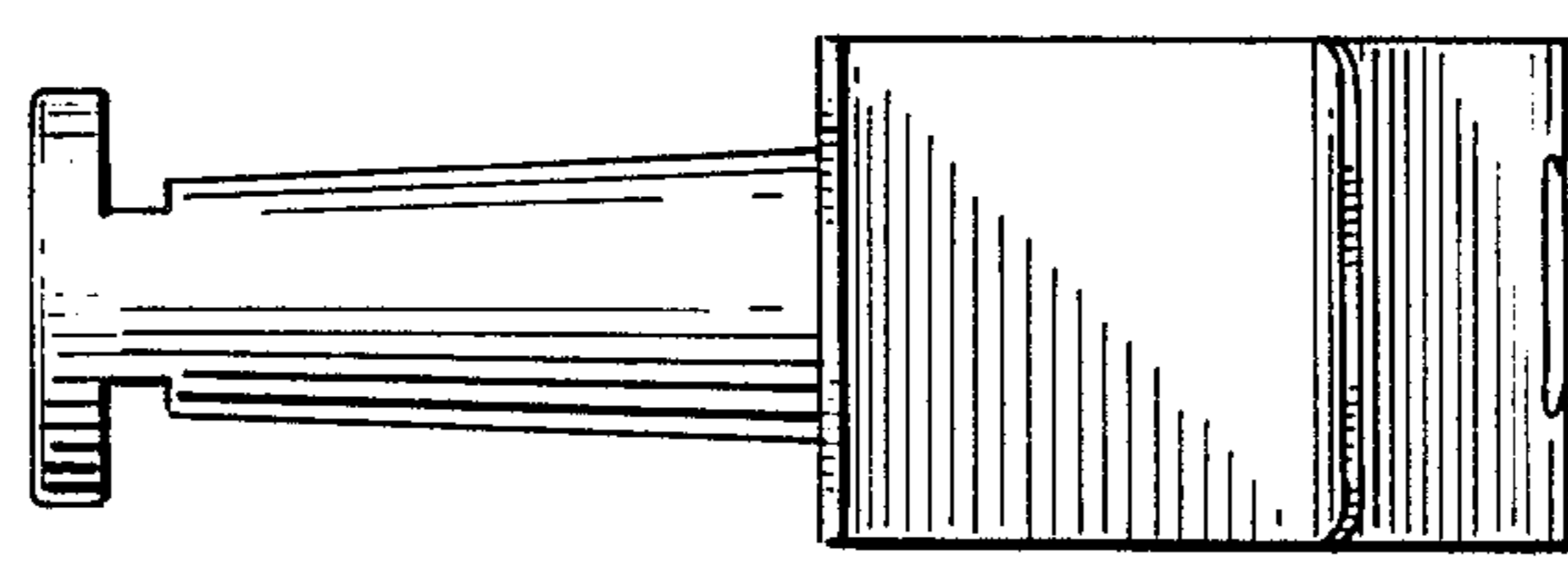
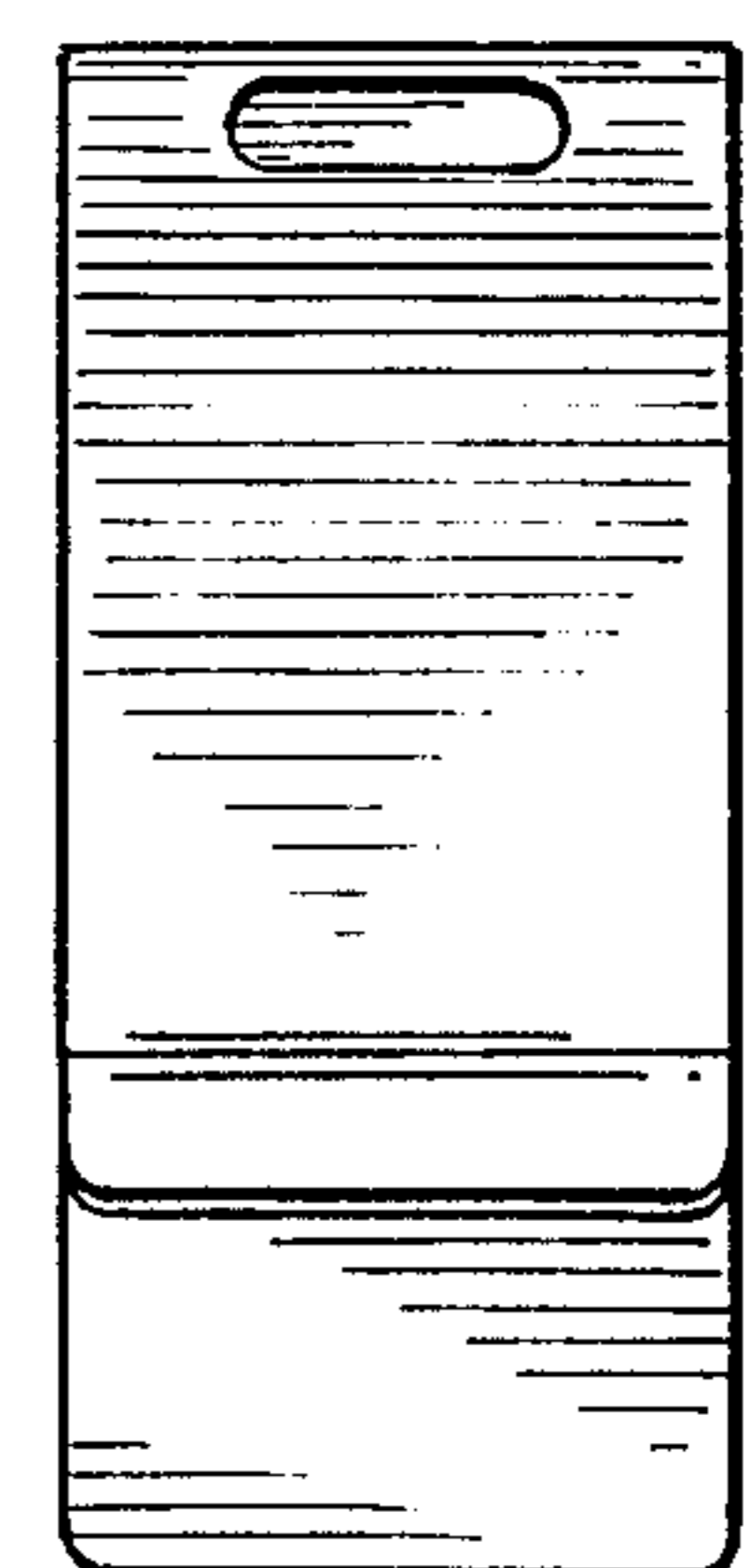


FIG. 6

FIG. 8

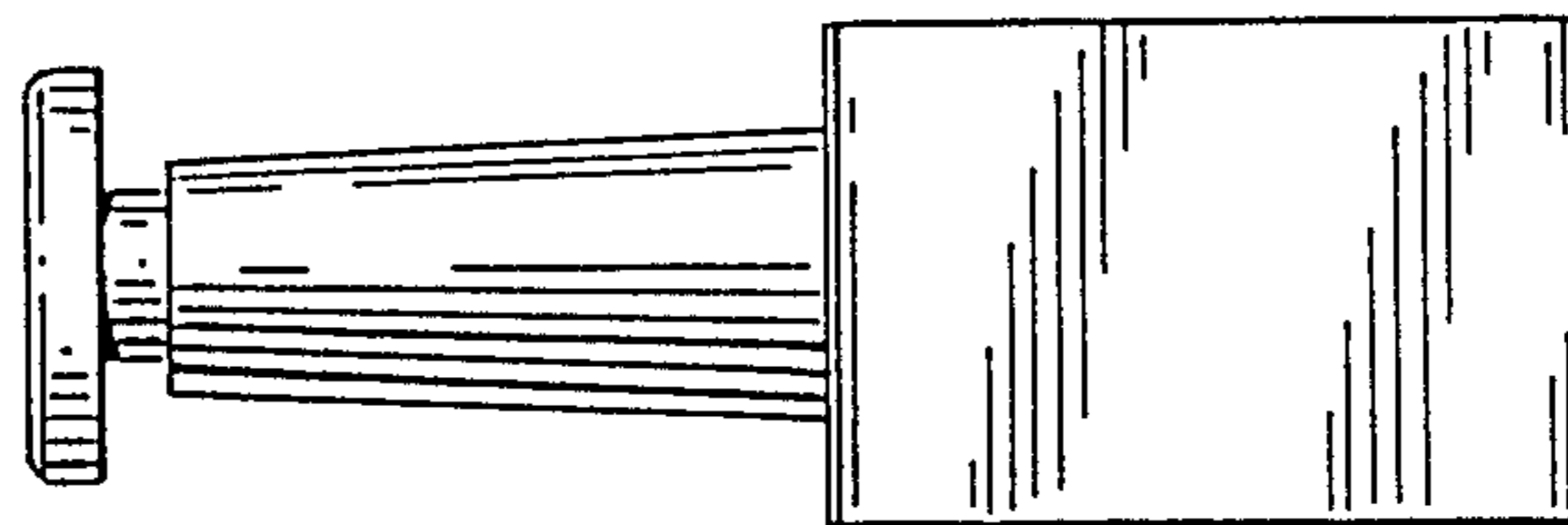


FIG. 9

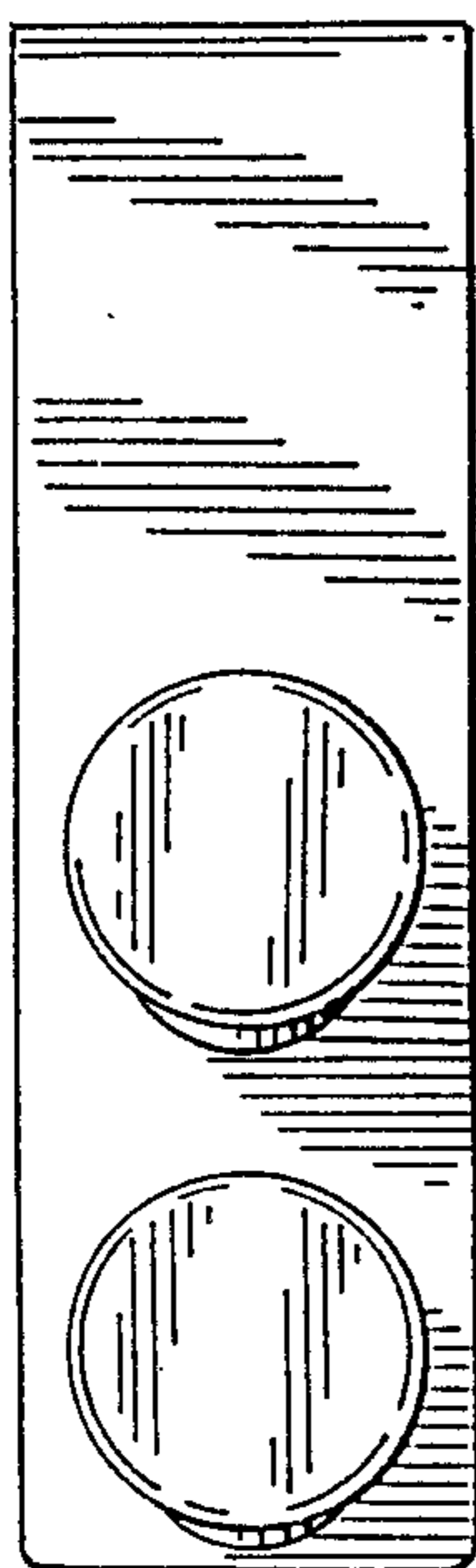


FIG. 10

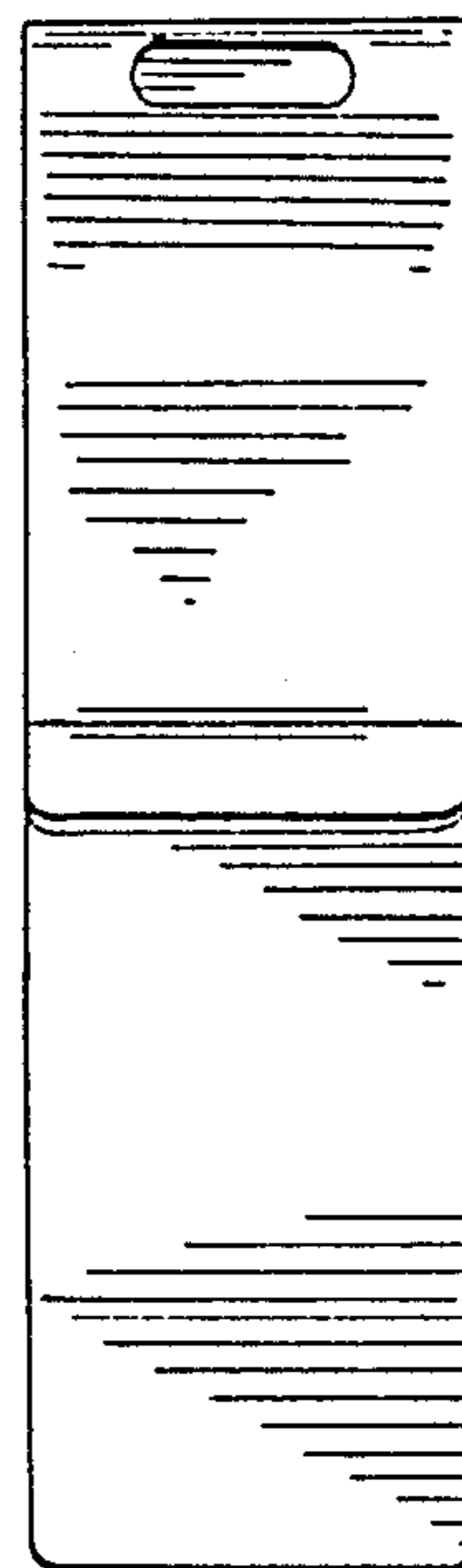
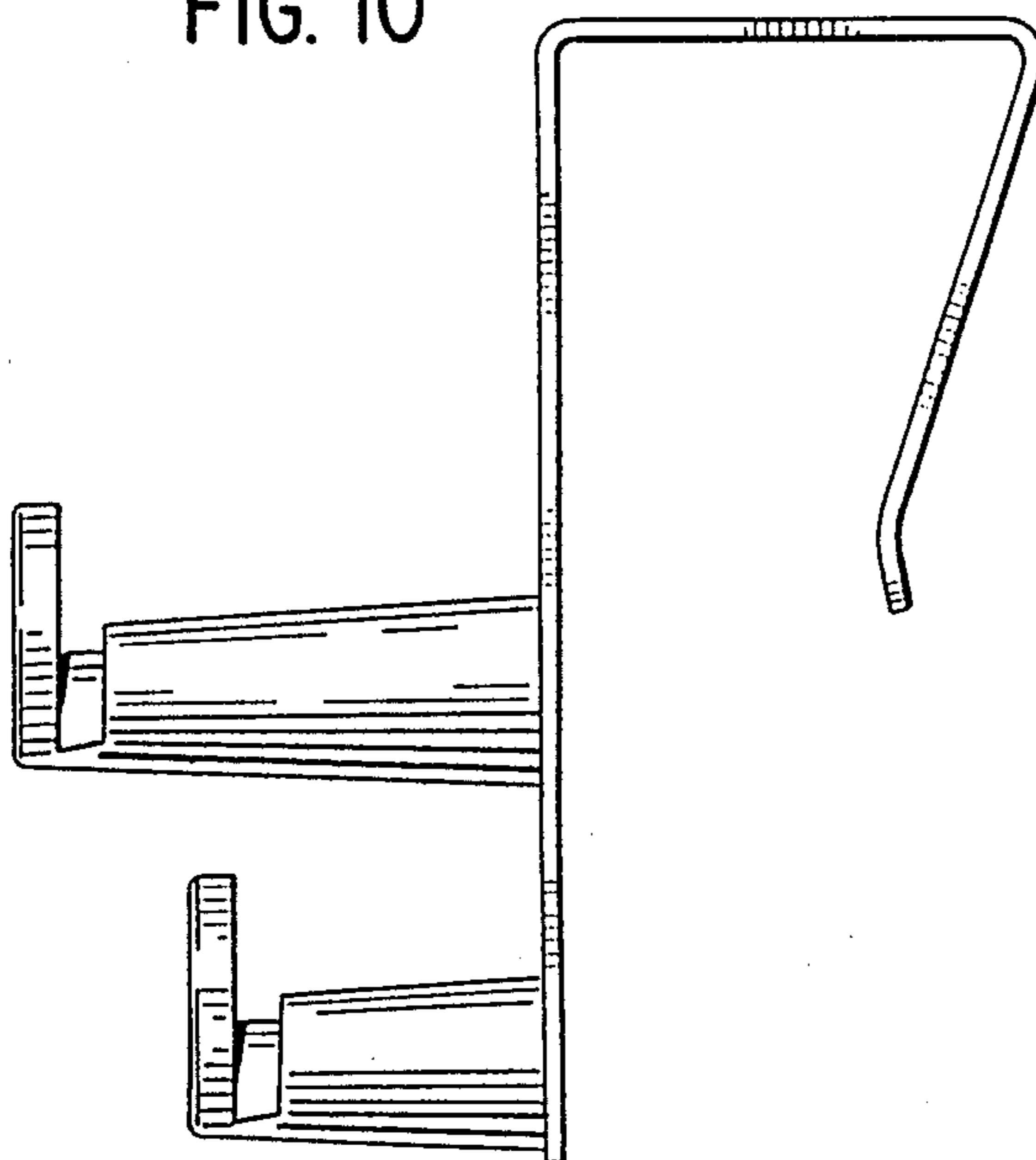


FIG. 11

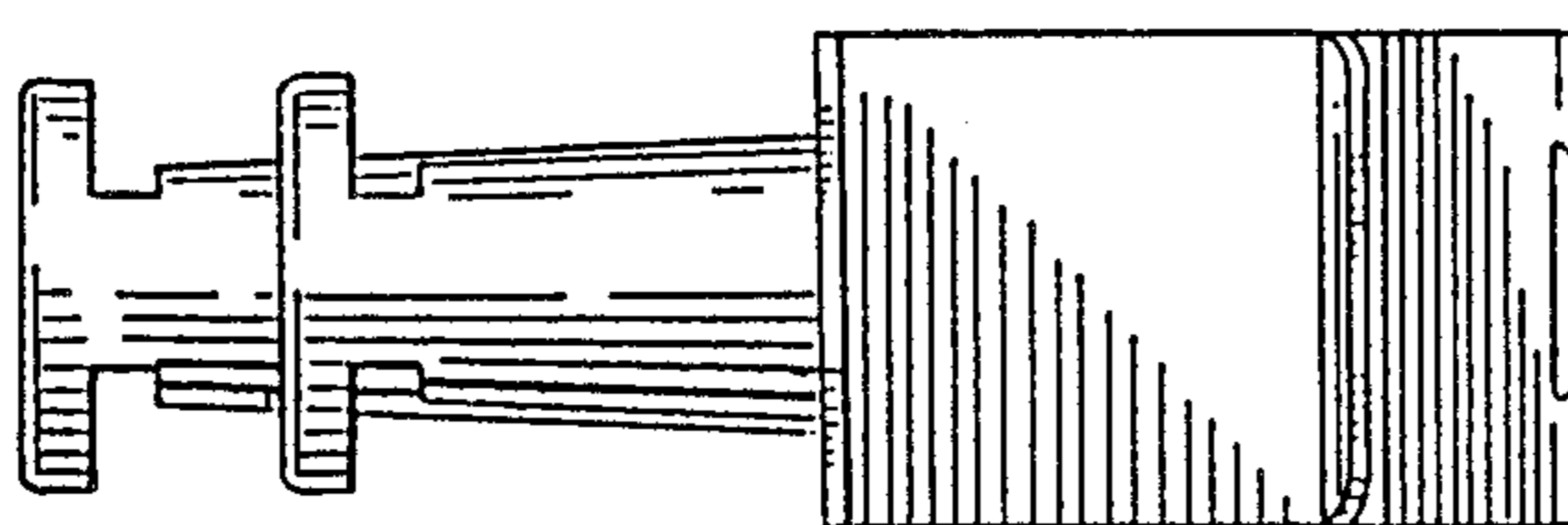


FIG. 12