

[54] **KEY**

[76] **Inventor: Larry E. Lobaugh, 132 Wilson Ave., Niles, Ohio 44446**

[**] **Term: 14 Years**

[21] **Appl. No.: 168,332**

[22] **Filed: Mar. 15, 1988**

[52] **U.S. Cl. D8/347**

[58] **Field of Search D8/347-348; 70/353, 355, 401-402, 405, 408, 413**

[56] **References Cited**

U.S. PATENT DOCUMENTS

D. 235,189	5/1975	Tachi	D8/347
D. 250,932	1/1979	Anderson	D8/348
D. 259,994	7/1981	Salcedo	D8/348
2,781,594	2/1957	Stupell	D8/347 X
3,526,112	9/1970	Herrington	D8/347 X
4,301,664	11/1981	Wilcox	70/401 X
4,646,913	3/1987	Wing et al.	70/408 X

OTHER PUBLICATIONS

Ilco Catalogue No. 60R (1984) p. 129 "Big Key'-round.

Ilco Catalogue No. 60R (1984) p. 37, key #1701G.

Ilco Catalogue No. 60R (1984) p. 114, "Repli-key for E8 Yale".

Primary Examiner—Wallace R. Burke

Assistant Examiner—Brian N. Vinson

Attorney, Agent, or Firm—Harpman & Harpman

[57] **CLAIM**

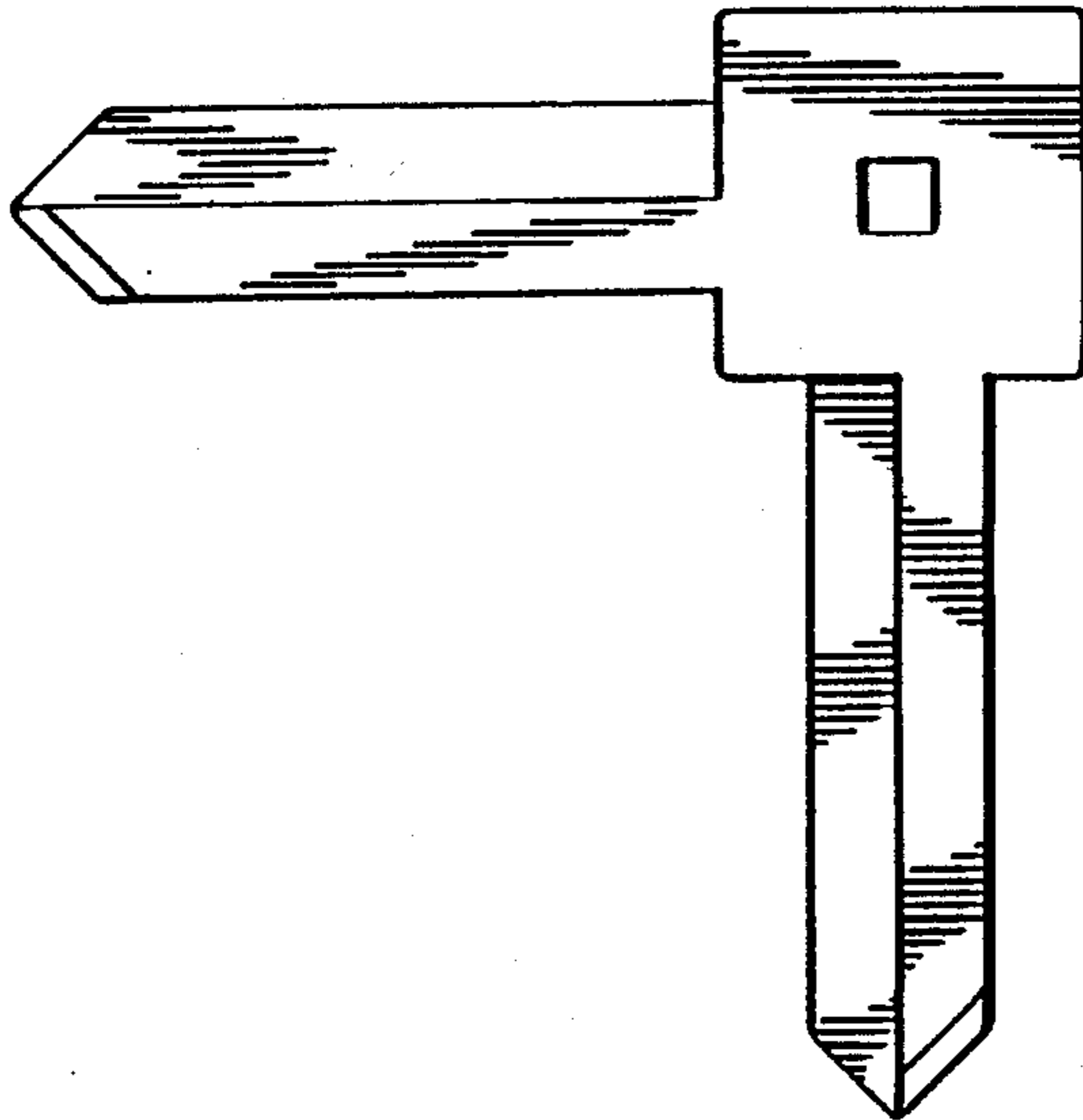
The ornamental design for a key, as shown and described.

DESCRIPTION

FIG. 1 is a front elevational view of a key showing my new design, the rear being substantially similar in appearance;

FIG. 2 is a right side elevational view thereof, the left side being identical to that shown in FIG. 3; and

FIG. 3 is a bottom plan view thereof, the top being identical to that shown in FIG. 2.



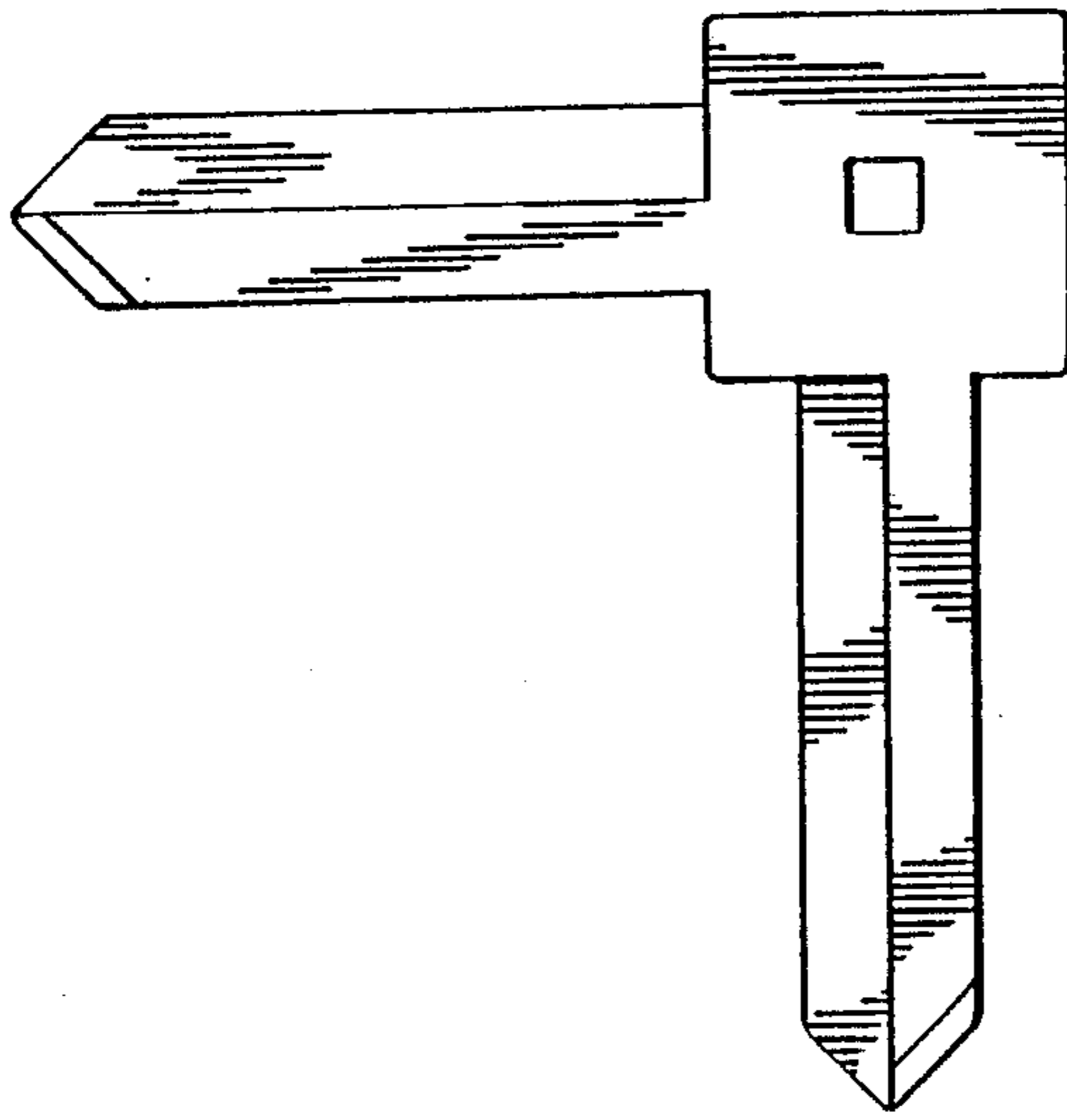


FIG. 1



FIG. 2

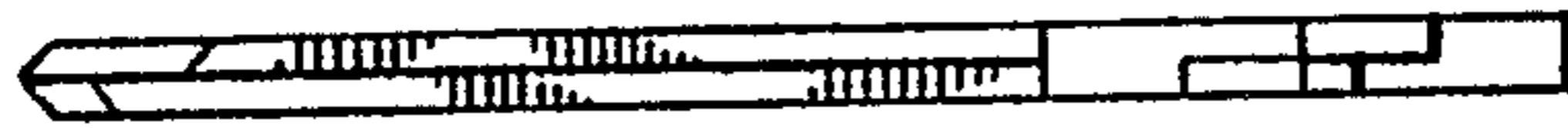


FIG. 3