

[54] CUP DISPENSER HOUSING

[75] Inventor: O. Timothy White, Carnesville, Ga.

[73] Assignee: Royston Corporation, Royston, Ga.

[**] Term: 14 Years

[21] Appl. No.: 55,748

[22] Filed: May 29, 1987

[52] U.S. Cl. D6/516

[58] Field of Search D6/512, 515-517;
221/66, 69, 191, 197, 282-283, 287; 312/42-43;
D19/73

[56] References Cited

U.S. PATENT DOCUMENTS

- D. 48,173 11/1915 Errett D6/516
- D. 122,669 9/1940 Hope D6/516
- D. 194,625 2/1963 Metzler D6/516
- D. 225,266 11/1972 Cousins D6/516

- D. 254,978 5/1980 Mobius D19/73
- 3,604,592 9/1971 Bacon et al. 221/283 X
- 4,199,076 4/1980 Brown 221/66 X

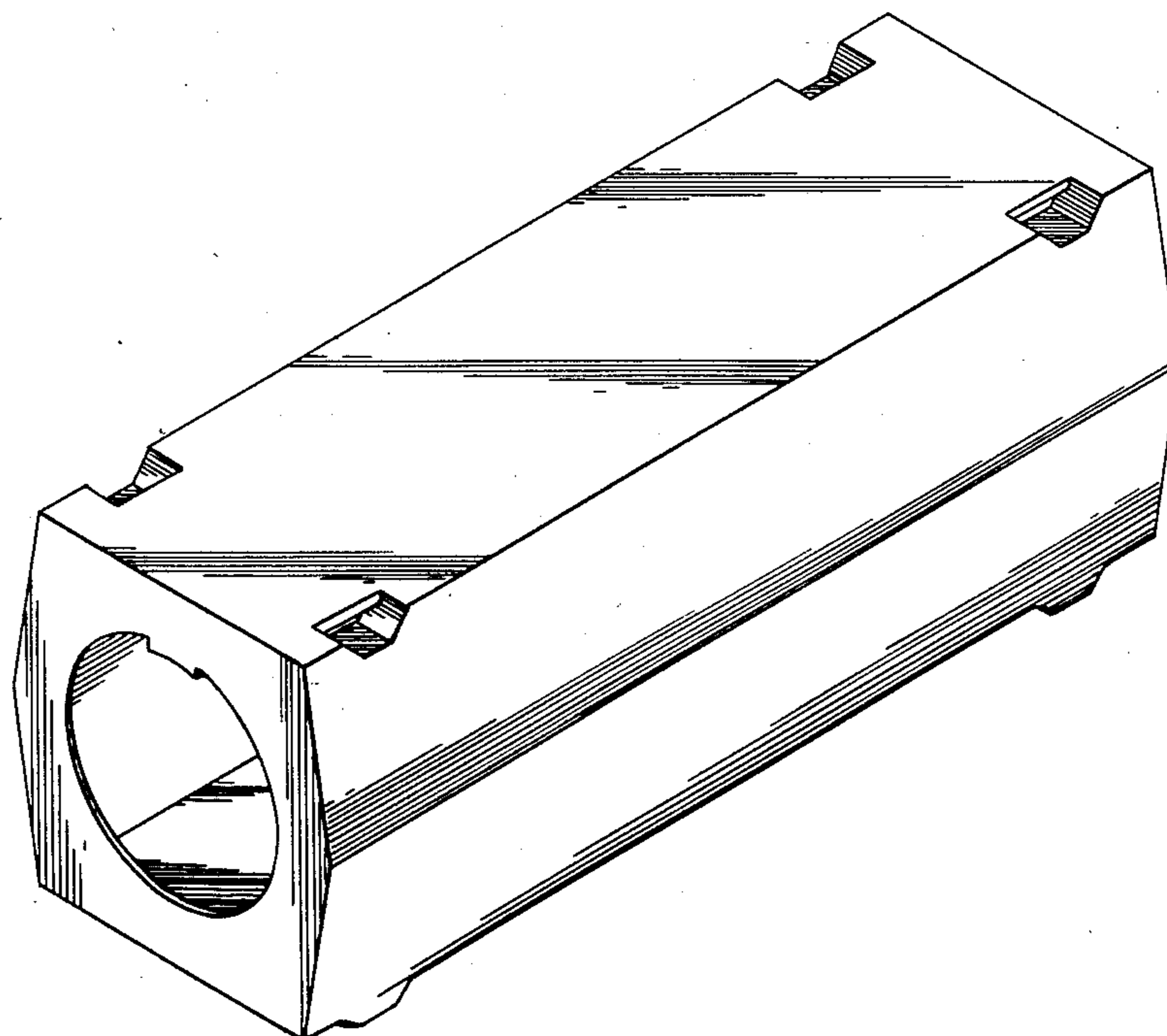
Primary Examiner—Wallace R. Burke
Assistant Examiner—Brian N. Vinson
Attorney, Agent, or Firm—Howson & Howson

[57] CLAIM

The ornamental design for a cup dispenser housing, as shown and described.

DESCRIPTION

FIG. 1 is a top, front and right side perspective view of a cup dispenser housing showing my new design; FIG. 2 is a right side elevational view thereof, the left side being a mirror image of that shown; FIG. 3 is a top plan view thereof; FIG. 4 is a bottom plan view thereof; FIG. 5 is a front elevational view thereof; and FIG. 6 is a rear elevational view thereof.



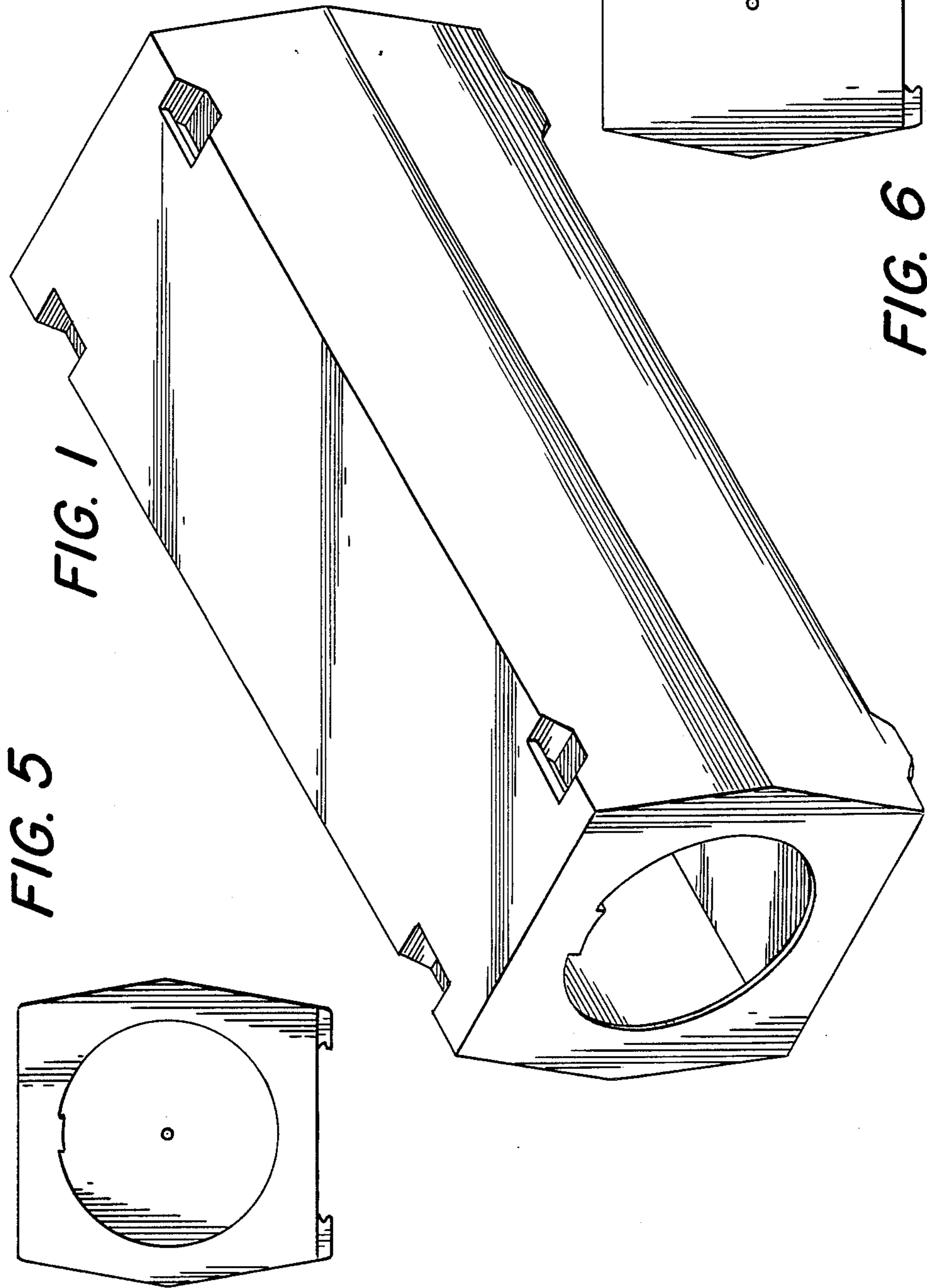


FIG. 5

FIG. 1

FIG. 6

FIG. 2

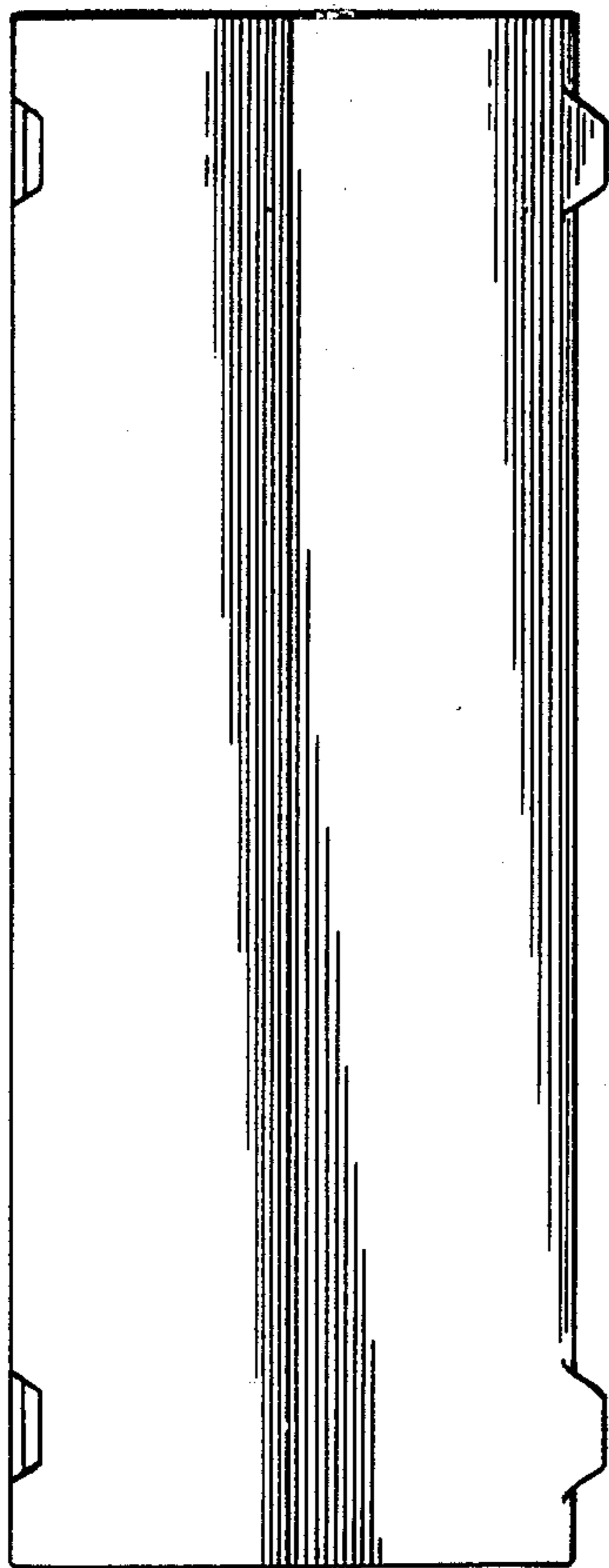


FIG. 3

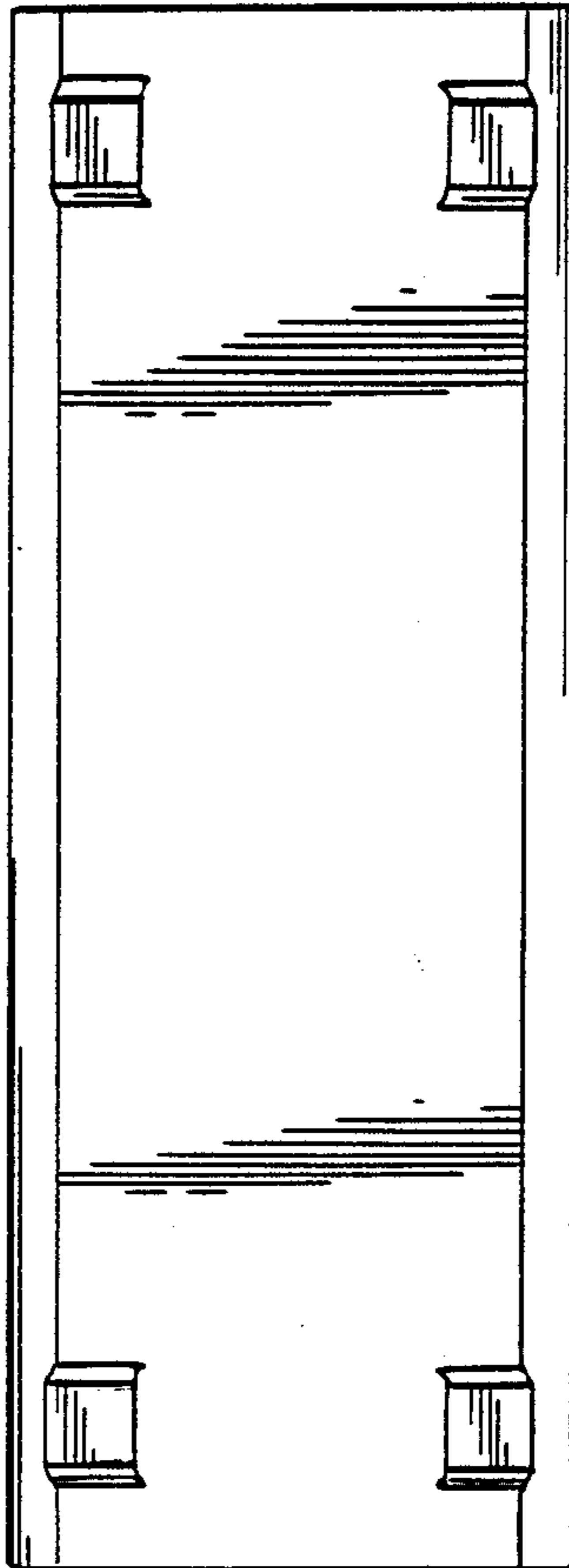


FIG. 4

