

[54] **TEA BREWER STAND**

[75] **Inventor: Frank D. Williams, Laplace, La.**

[73] **Assignee: Wm. B. Reily & Company, Inc., New Orleans, La.**

[\*\*] **Term: 14 Years**

[21] **Appl. No.: 938,115**

[22] **Filed: Dec. 4, 1986**

[52] **U.S. Cl. .... D6/464; D6/474; D7/300; D7/388; D7/397**

[58] **Field of Search ..... D7/388, 397, 399, 313, D7/300, 311, 403, 404; D6/462, 474, 464**

[56] **References Cited**

**U.S. PATENT DOCUMENTS**

- D. 95,112 4/1935 Bales ..... D6/474
- D. 160,606 10/1950 Johnsen ..... D6/462

D. 290,914 7/1987 Carlson ..... D7/388 X

*Primary Examiner*—Winifred E. Herrmann  
*Attorney, Agent, or Firm*—Kenyon & Kenyon

[57] **CLAIM**

The ornamental design for a tea brewer stand, as shown and described.

**DESCRIPTION**

FIG. 1 is a top, front and right side perspective view of a tea brewer stand showing my new design. The broken line showing of the hot water generating and dispensing unit is for illustrative purposes only and forms no part of the claimed design;

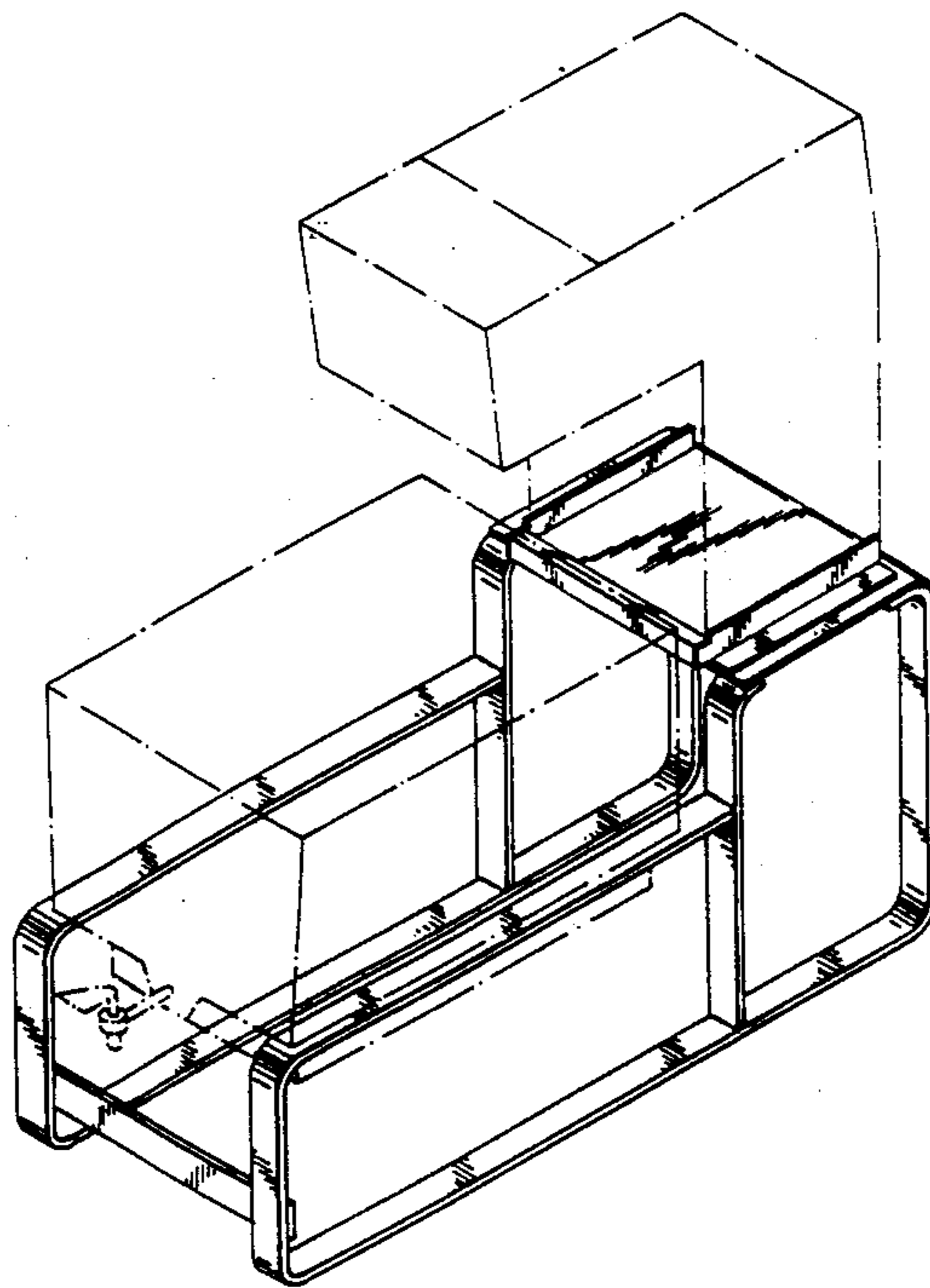
FIG. 2 is a left side elevational view thereof;

FIG. 3 is a front elevational view thereof;

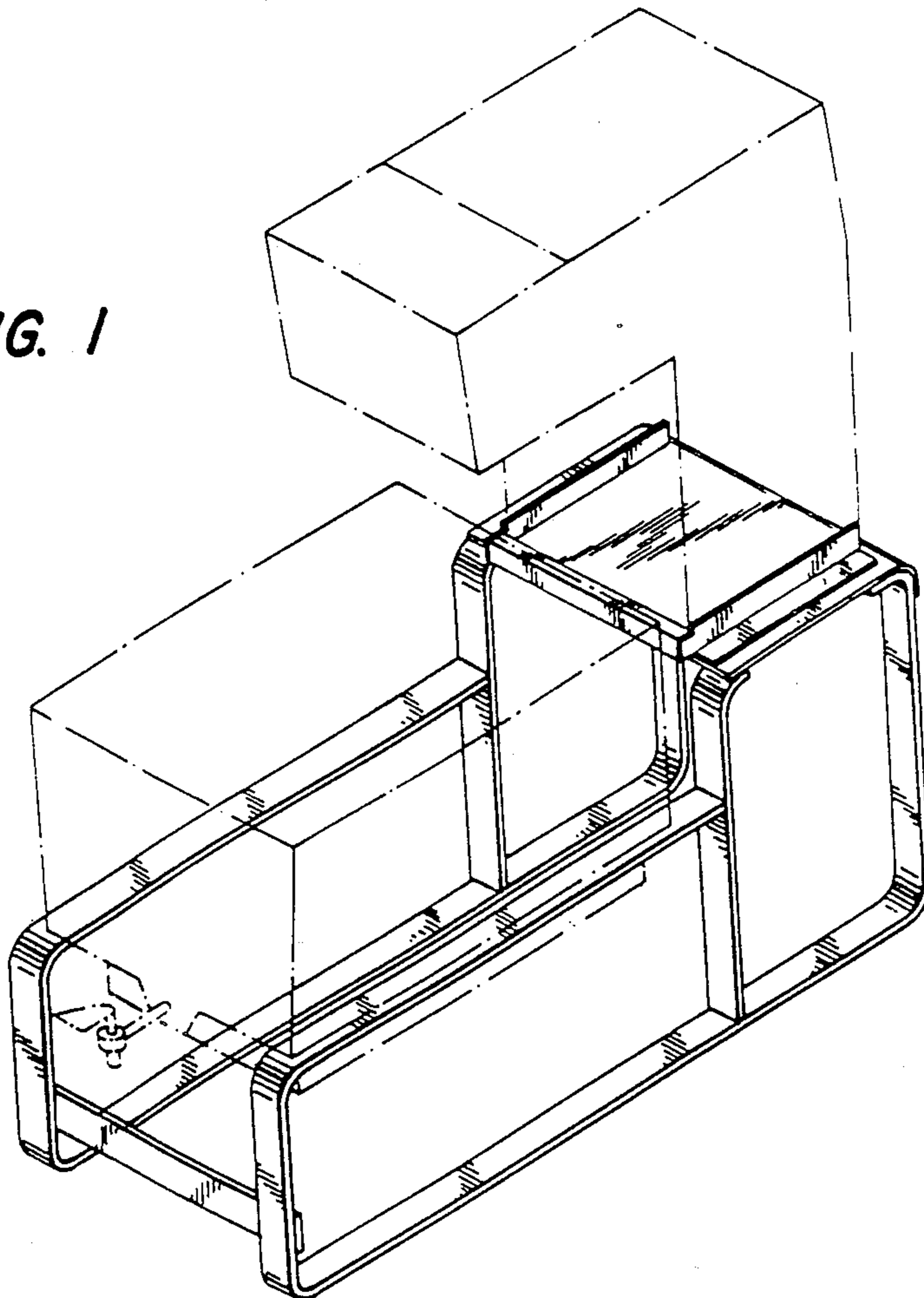
FIG. 4 is a rear elevational view thereof;

FIG. 5 is a top plan view thereof; and

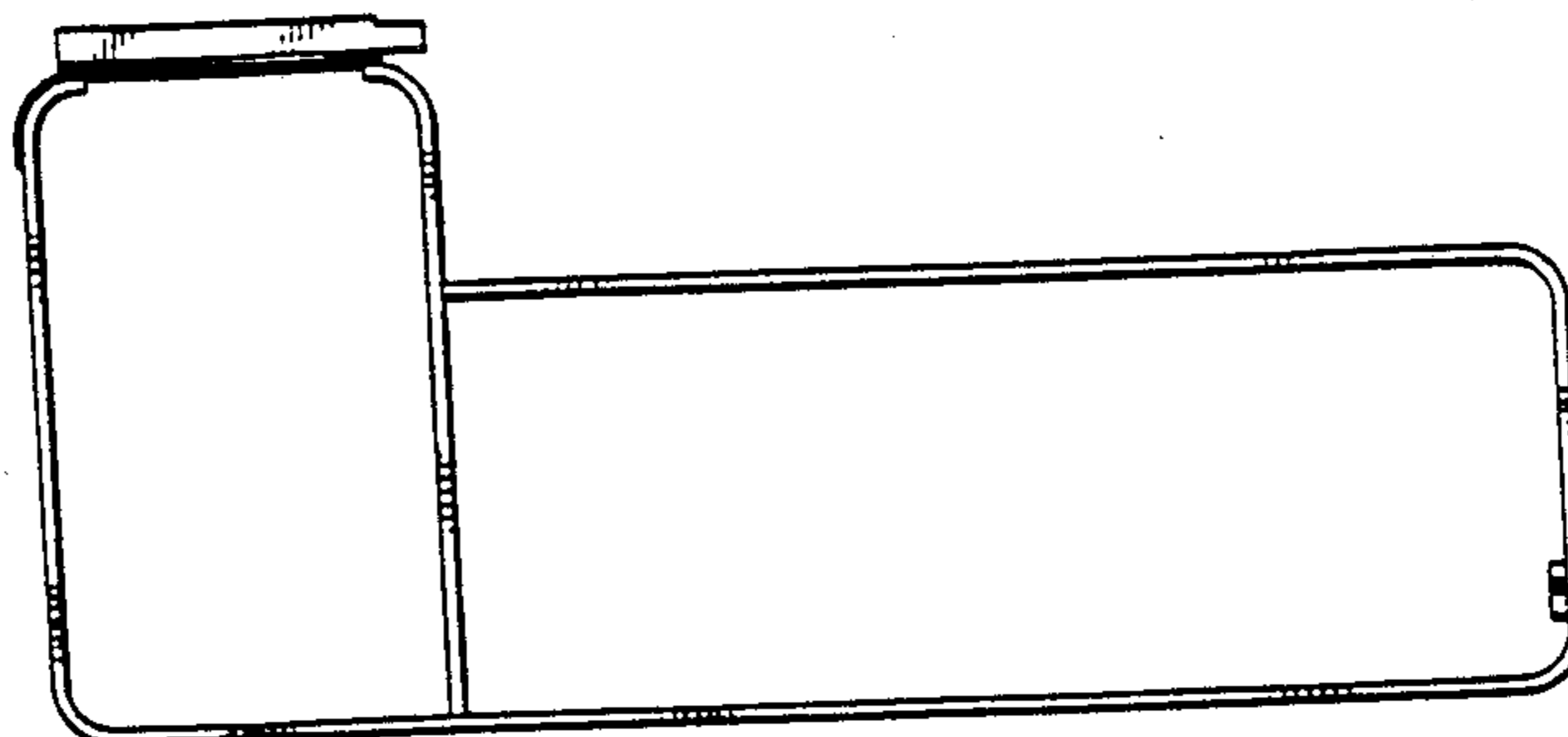
FIG. 6 is a bottom plan view thereof.



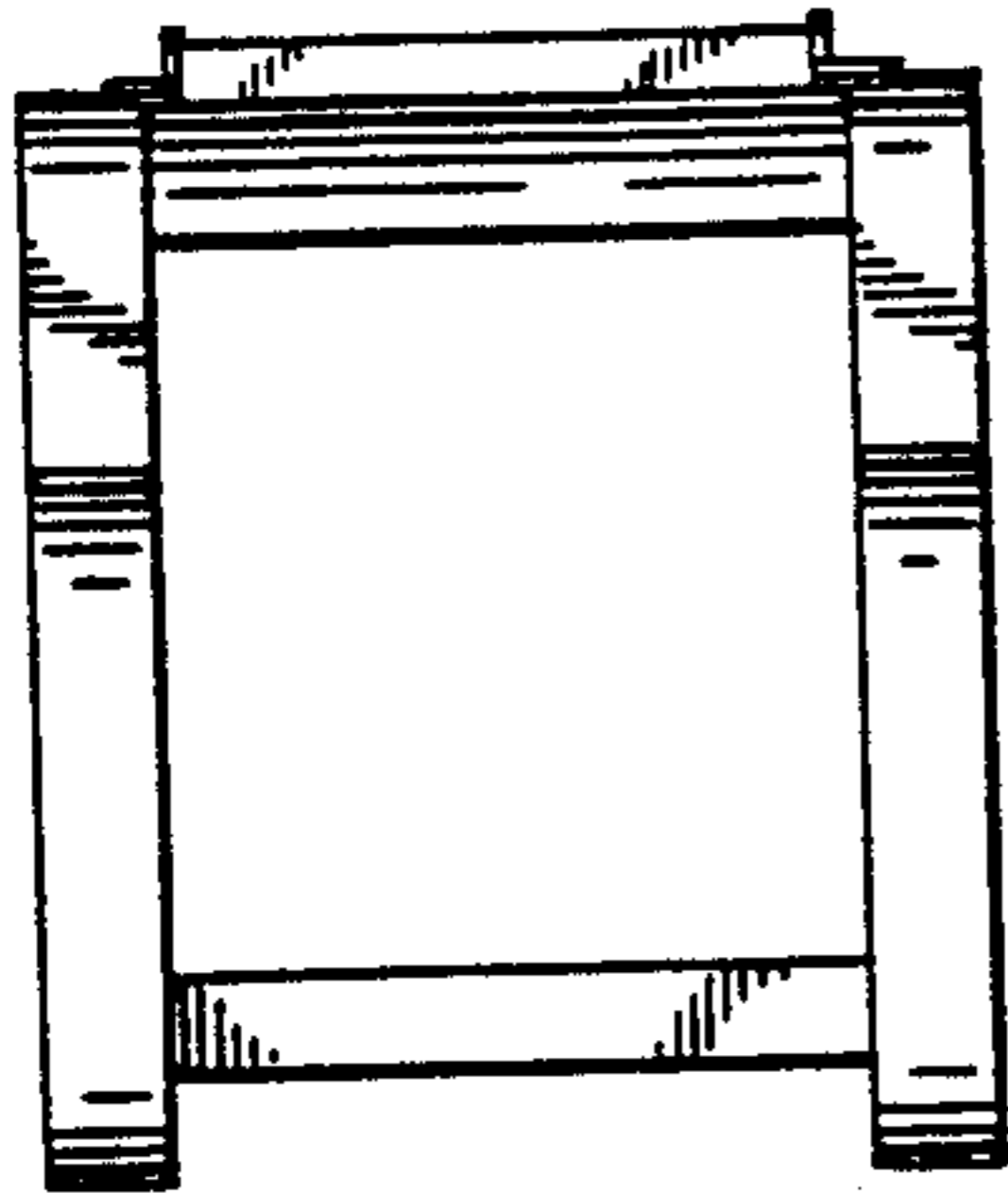
*FIG. 1*



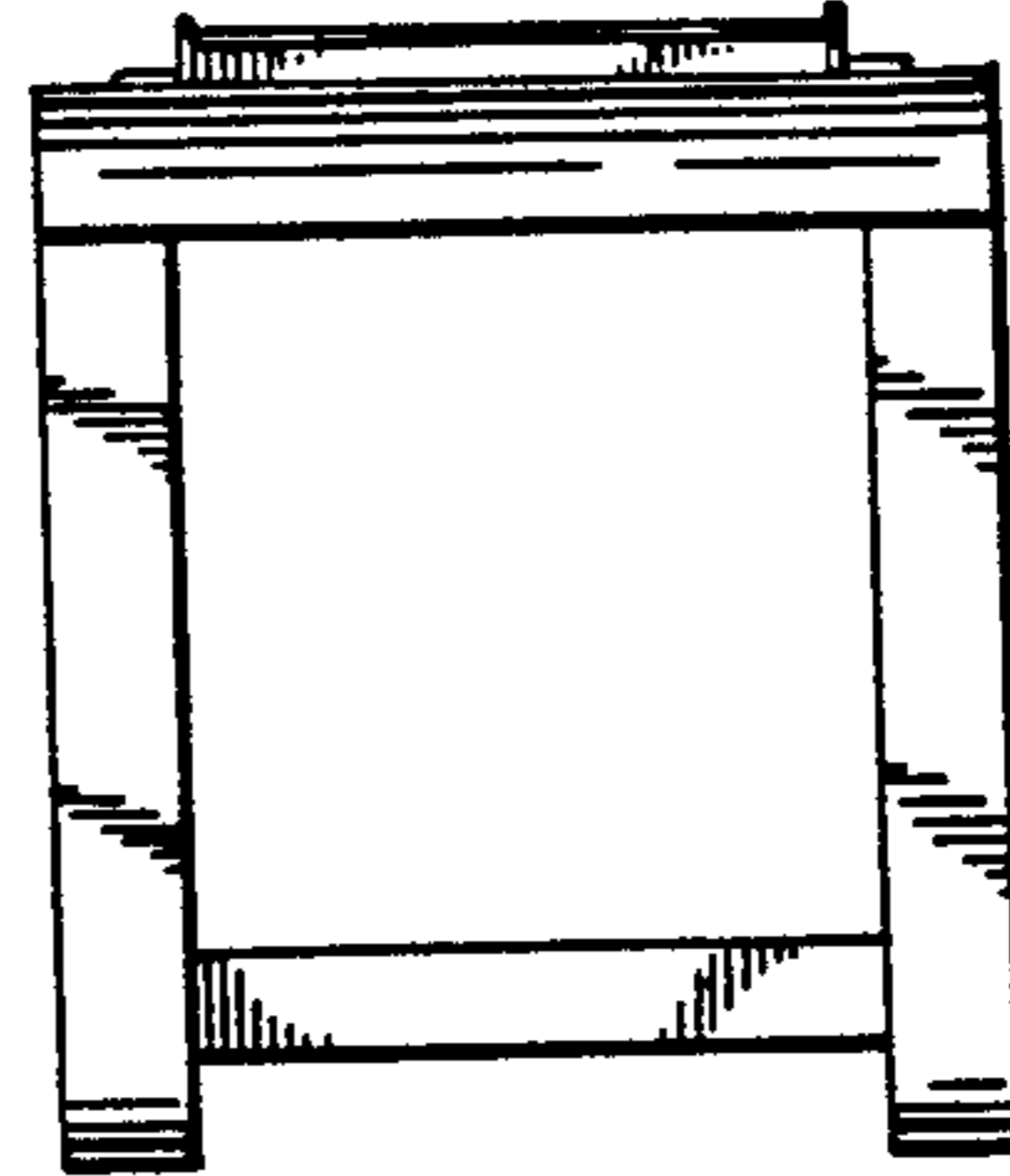
*FIG. 2*



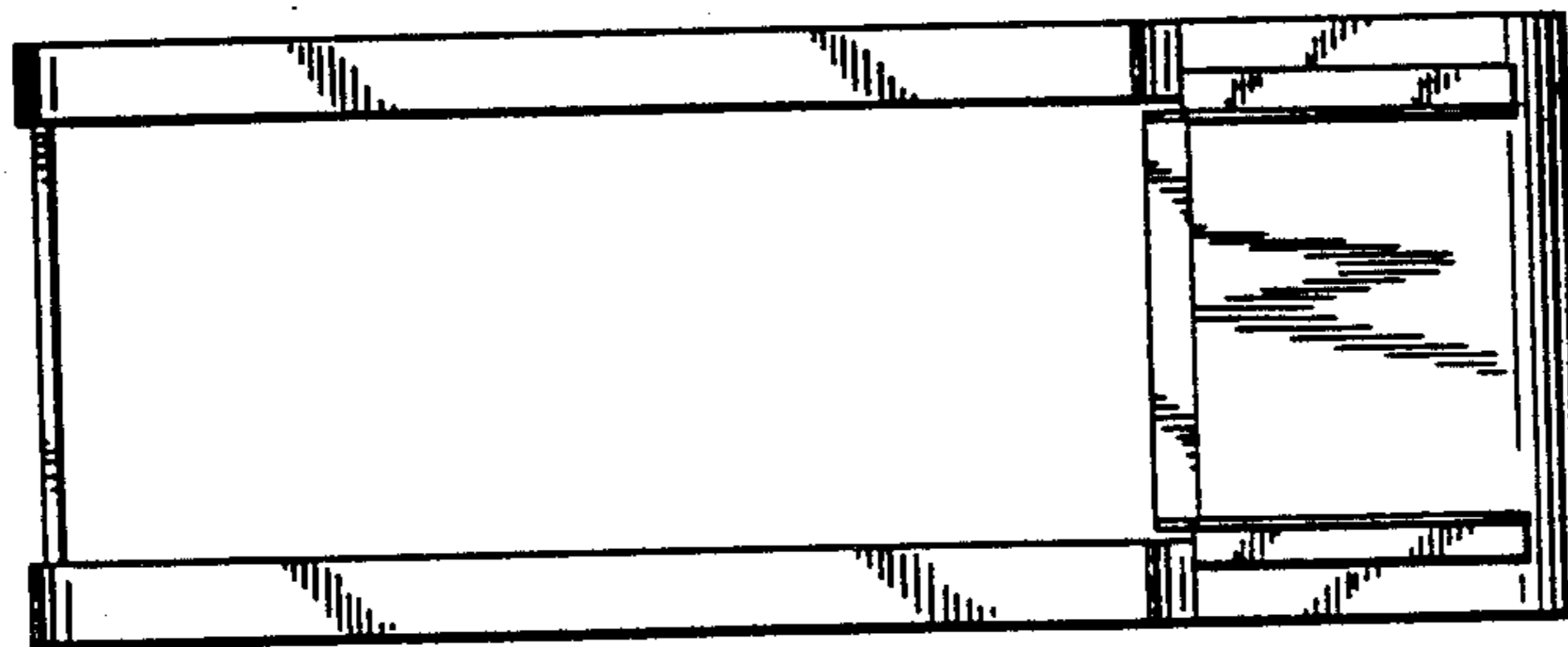
**FIG. 3**



**FIG. 4**



**FIG. 5**



**FIG. 6**

