

[54] **PEW**  
[75] **Inventor: Virgil Miller, Archbold, Ohio**  
[73] **Assignee: Sauder Manufacturing Co., Archbold, Ohio**  
[\*\*] **Term: 14 Years**  
[21] **Appl. No.: 919,775**  
[22] **Filed: Oct. 16, 1986**  
[52] **U.S. Cl. .... D6/381**  
[58] **Field of Search ..... D6/370, 371, 381, 349; 297/193, 460, 446**

[56] **References Cited**  
**U.S. PATENT DOCUMENTS**  
D. 221,642 8/1971 Bayes ..... D6/371

D. 221,644 8/1971 Bayes ..... D6/371

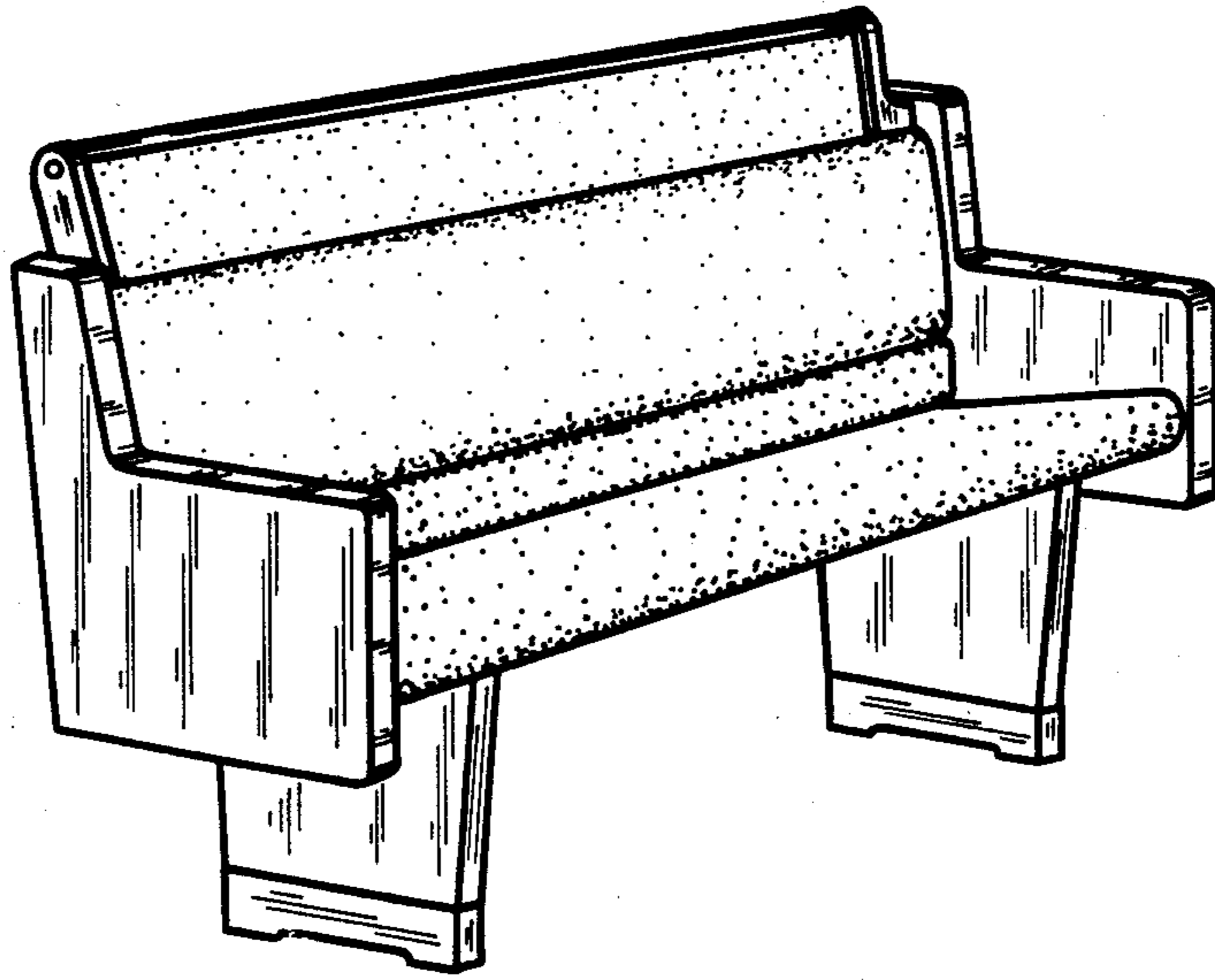
*Primary Examiner*—James R. Largen  
*Assistant Examiner*—Ann Hunt  
*Attorney, Agent, or Firm*—Emch, Schaffer, Schaub & Porcello Co.

[57] **CLAIM**

The ornamental design for a pew, as shown and described.

**DESCRIPTION**

FIG. 1 is a perspective view of a pew, showing my new design;  
FIG. 2 is a front elevational view thereof;  
FIG. 3 is a left side elevational view thereof;  
FIG. 4 is a right side elevational view thereof;  
FIG. 5 is a rear elevational view thereof; and  
FIG. 6 is a top plan view thereof.



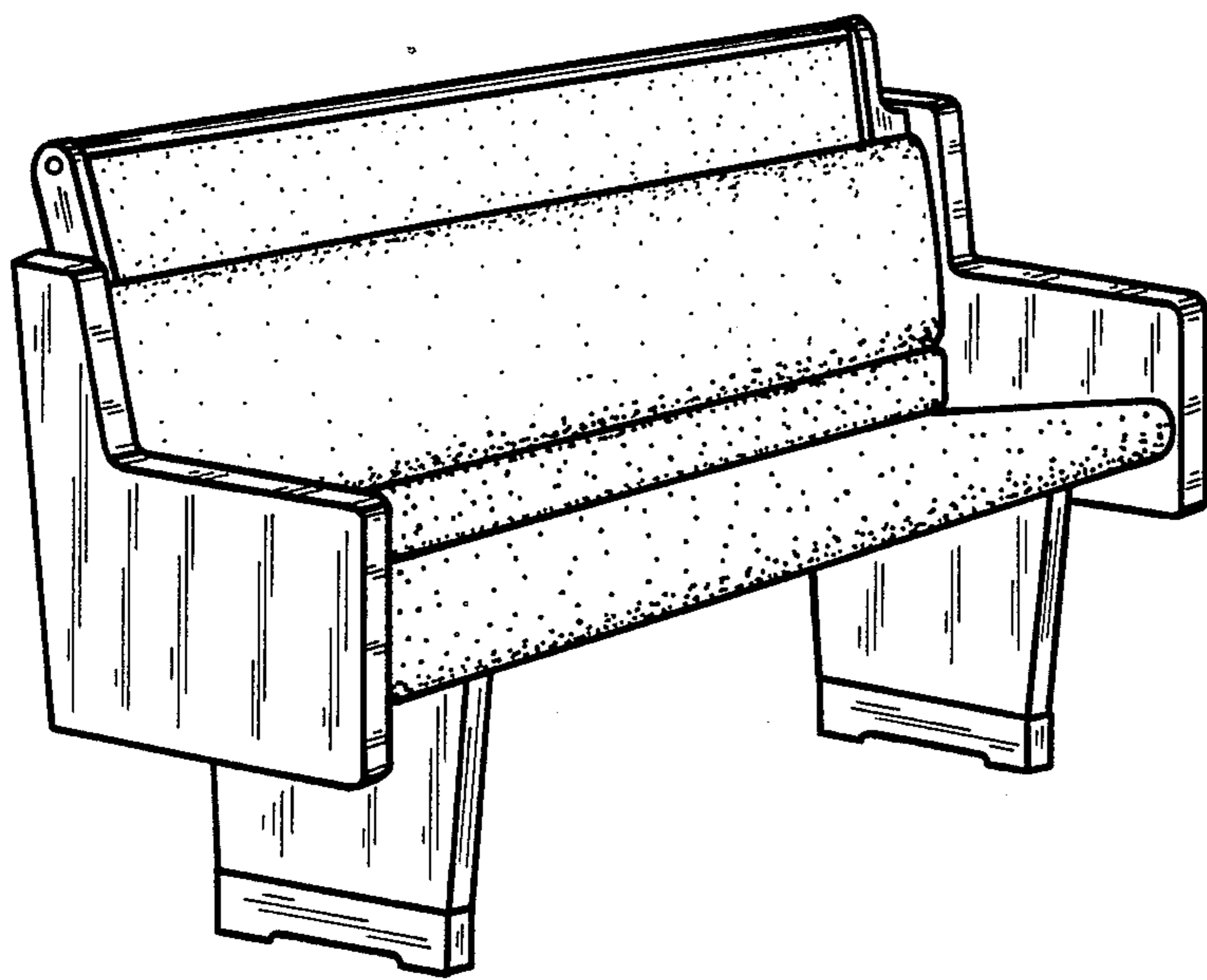


FIG. 1

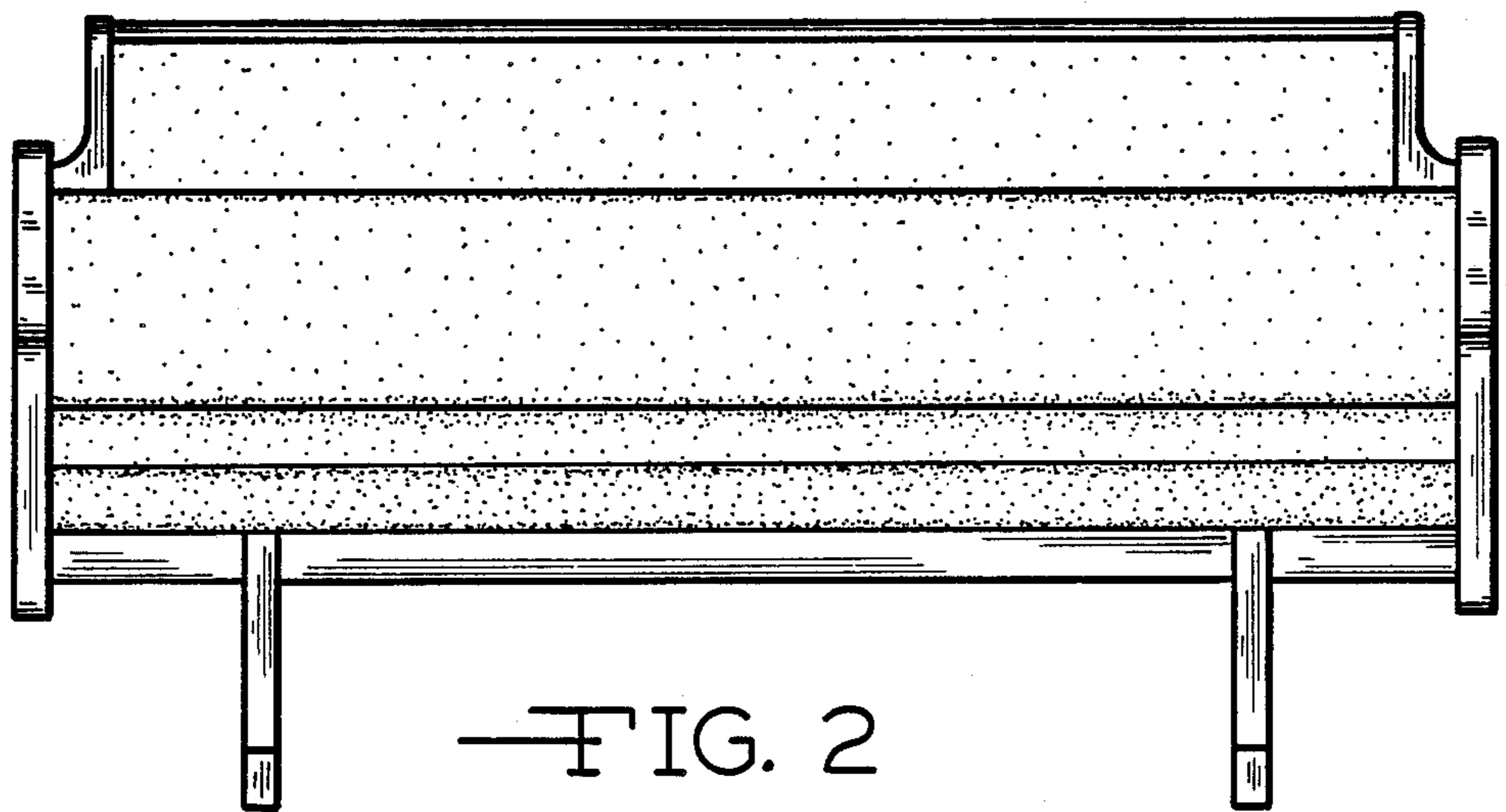


FIG. 2

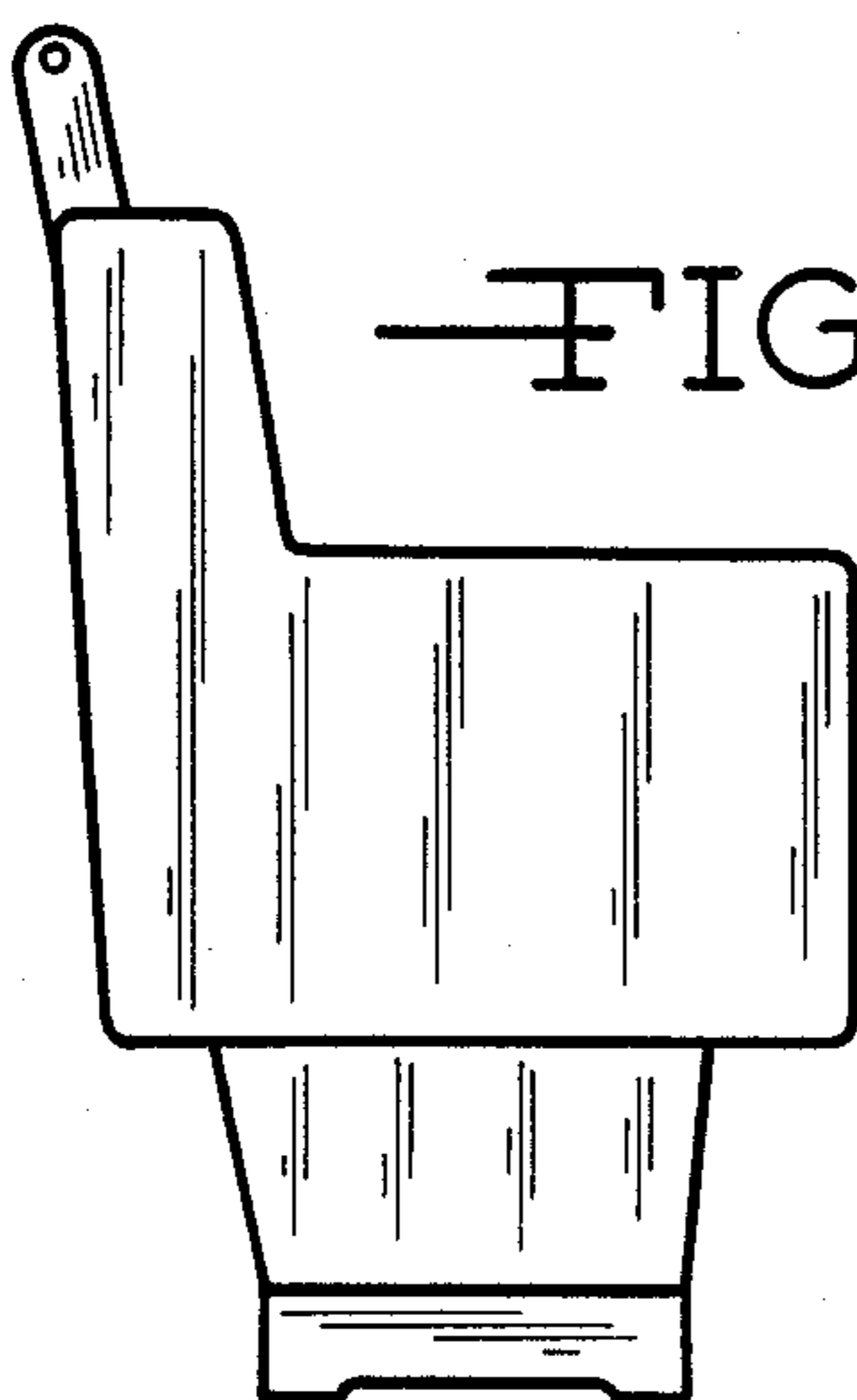


FIG. 3

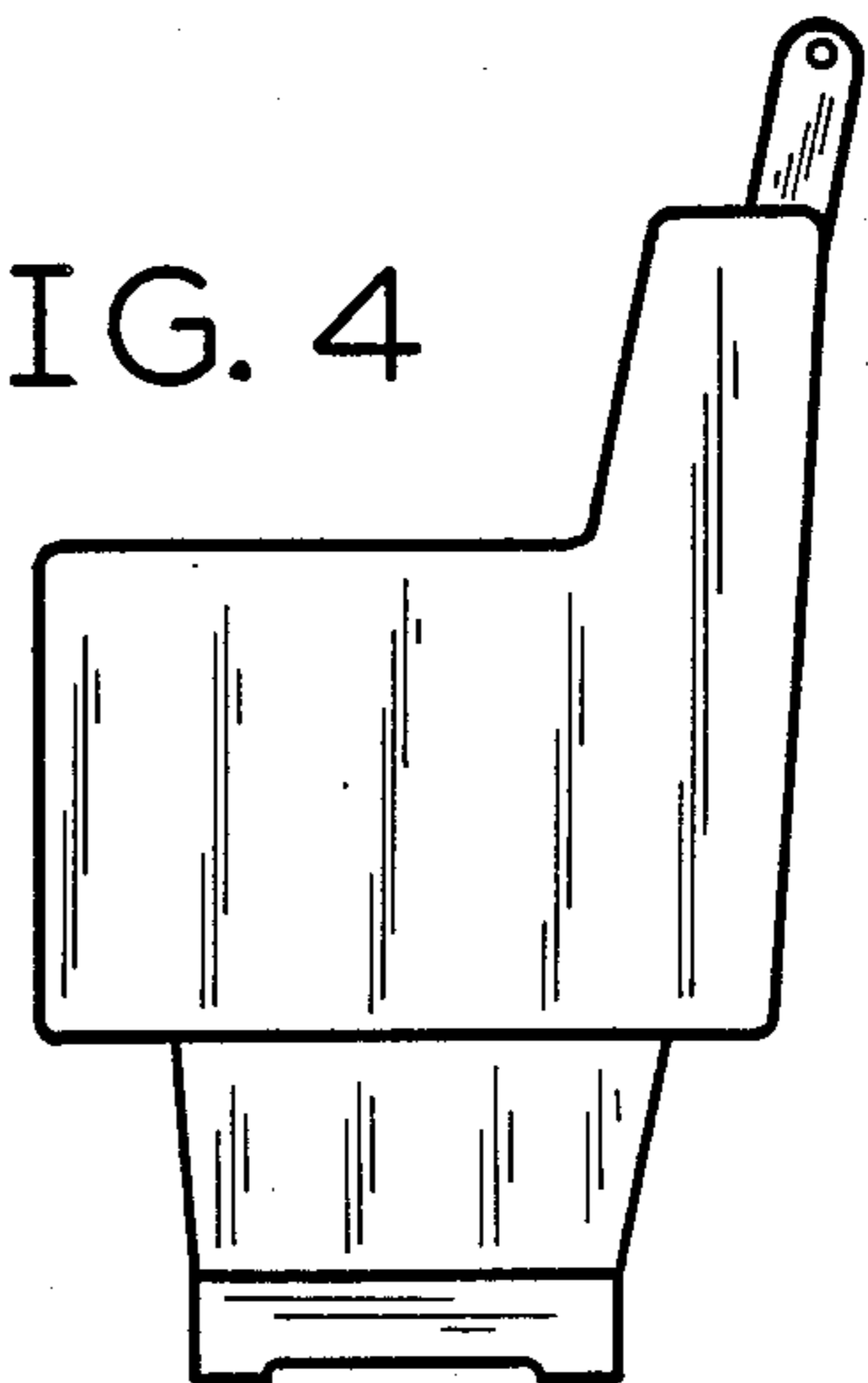
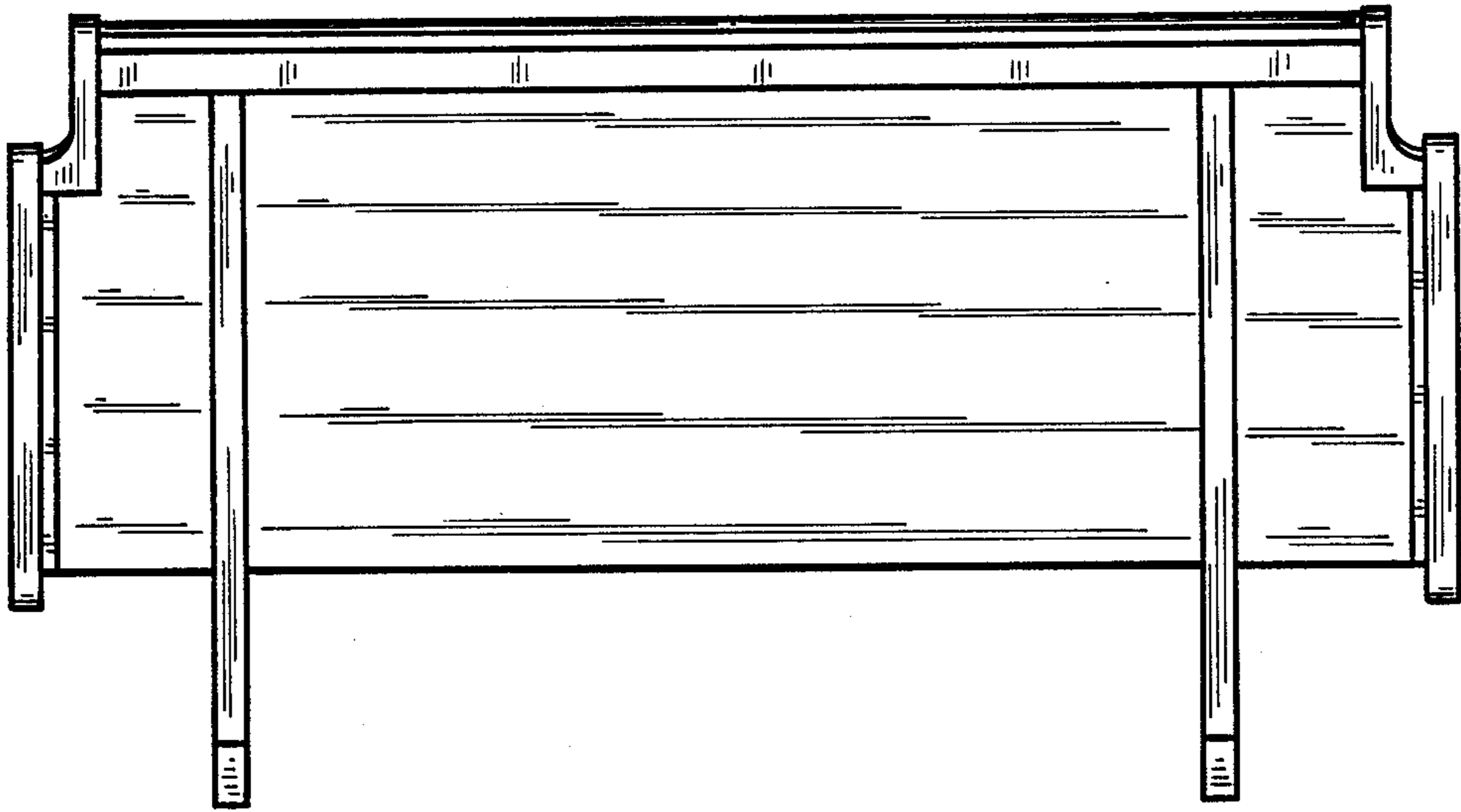
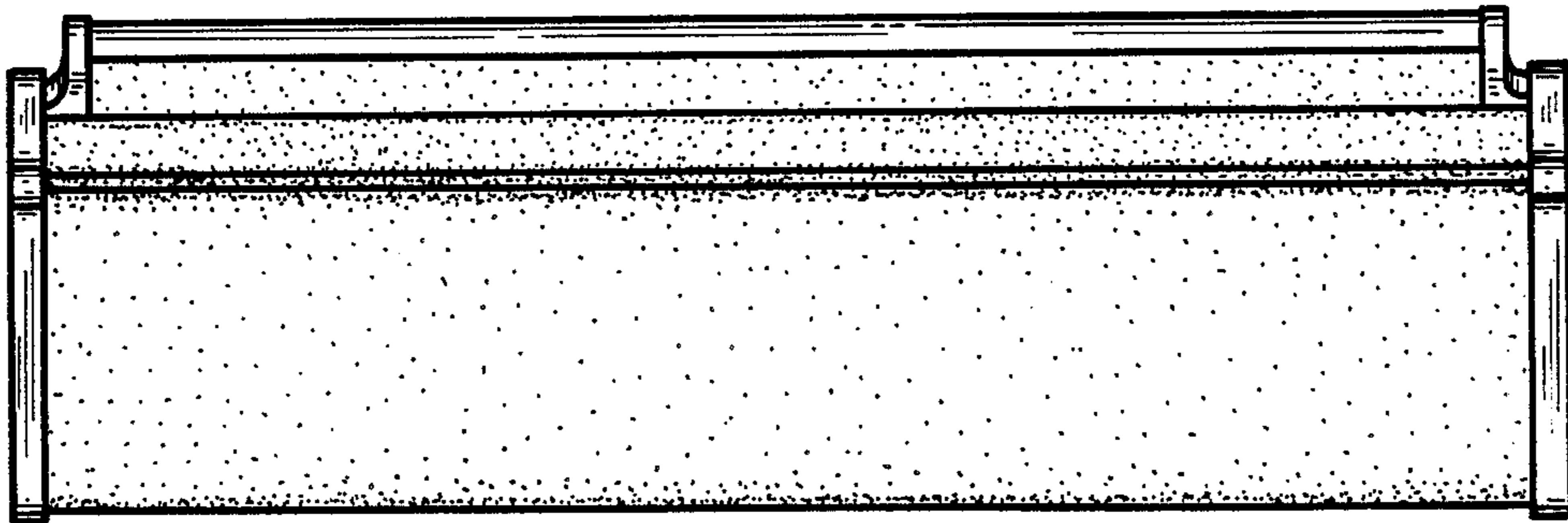


FIG. 4



—FIG. 5



—FIG. 6