

[54] **FOLDABLE PLAYYARD**
 [75] **Inventors: James M. Dillner, Lancaster; Nathanael Saint, Morgantown, both of Pa.**
 [73] **Assignee: Graco Metal Products Inc., Elverson, Pa.**
 [**] **Term: 14 Years**
 [21] **Appl. No.: 130,341**
 [22] **Filed: Dec. 8, 1987**
 [52] **U.S. Cl. D6/391; 5/98 R; 5/99 A**
 [58] **Field of Search D6/331, 391; D3/42; 5/99 R, 93 R, 99 A, 99 B, 99 C**

4,008,497 2/1977 Bader .
 4,008,499 2/1977 Wren, Jr. et al. 5/99
 4,044,411 8/1977 Peterson 5/99 A
 4,069,524 1/1978 Carlo 5/99
 4,070,716 1/1978 Satt et al. 5/99
 4,073,017 2/1978 Stevens 5/99
 4,186,454 2/1980 Cone 5/99
 4,202,065 5/1980 Sullivan 5/99
 4,357,735 11/1982 Saints et al. .
 4,376,318 3/1983 Cirillo 5/99
 4,538,309 9/1985 Gunter 5/98
 4,573,224 3/1986 Saint 5/99
 4,688,280 8/1987 Kohus et al. 5/99
 4,703,525 11/1987 Shamie .

[56] **References Cited**

U.S. PATENT DOCUMENTS

1,211,730 1/1917 Lucas 5/99 R
 1,374,333 4/1921 Stotler et al. .
 1,413,068 4/1922 Stotler et al. 5/98
 1,630,941 5/1927 Hood D6/391
 1,782,217 11/1930 Stoddard 5/99 R
 2,287,907 6/1942 Schettler D6/391
 2,464,866 3/1949 Holtz 5/98
 2,486,067 10/1949 Schroeder 5/99 R
 2,490,296 12/1949 Fournier 5/99
 2,498,203 2/1950 Fischer .
 2,561,637 7/1951 Rex 5/99
 2,569,937 10/1951 Lindgren 5/99
 2,607,052 8/1952 Le Roy .
 2,617,999 11/1952 Mitchell 5/99
 2,629,110 2/1953 Fournier 5/99
 2,659,903 11/1953 Hagelfeldt 5/99
 2,784,420 3/1957 Moltane 5/98
 2,901,755 9/1959 Wood, Jr. 5/99
 2,942,750 6/1960 Neely 248/469
 3,091,249 5/1963 O'Neil 248/169
 3,165,760 1/1965 Abajian .
 3,183,528 5/1965 Jacobs et al. 5/99
 3,430,273 3/1969 Stillwaugh D6/331
 3,605,139 9/1971 Lorentz, Jr. 5/99
 3,789,439 2/1974 Berg et al. 5/99
 3,924,280 12/1975 Vaiano 5/99

Primary Examiner—Bruce W. Dunkins
Assistant Examiner—Y. Brunot
Attorney, Agent, or Firm—Panitch Schwarze Jacobs and Nadel

[57] **CLAIM**

The ornamental design for a foldable playyard, as shown and described.

DESCRIPTION

FIG. 1 is a perspective view of a foldable playyard showing our new design;
 FIG. 2 is a front elevation view;
 FIG. 3 is a side elevational view;
 FIG. 4 is a top plan view; and
 FIG. 5 is a bottom plan view thereof.
 FIG. 6 is a perspective view of the foldable playyard of FIG. 1 in collapsed position and enclosed by the mat which forms the playyard floor in FIG. 1;
 FIG. 7 is a front elevational view of the foldable playyard of FIG. 6;
 FIG. 8 is a rear elevational view of the foldable playyard of FIG. 6;
 FIG. 9 is a top plan view of the foldable playyard of FIG. 6;
 FIG. 10 is a bottom plan view of the foldable playyard of FIG. 6;
 FIG. 11 is a left end view of the foldable playyard of FIG. 6; and
 FIG. 12 is a right end elevational view thereof.

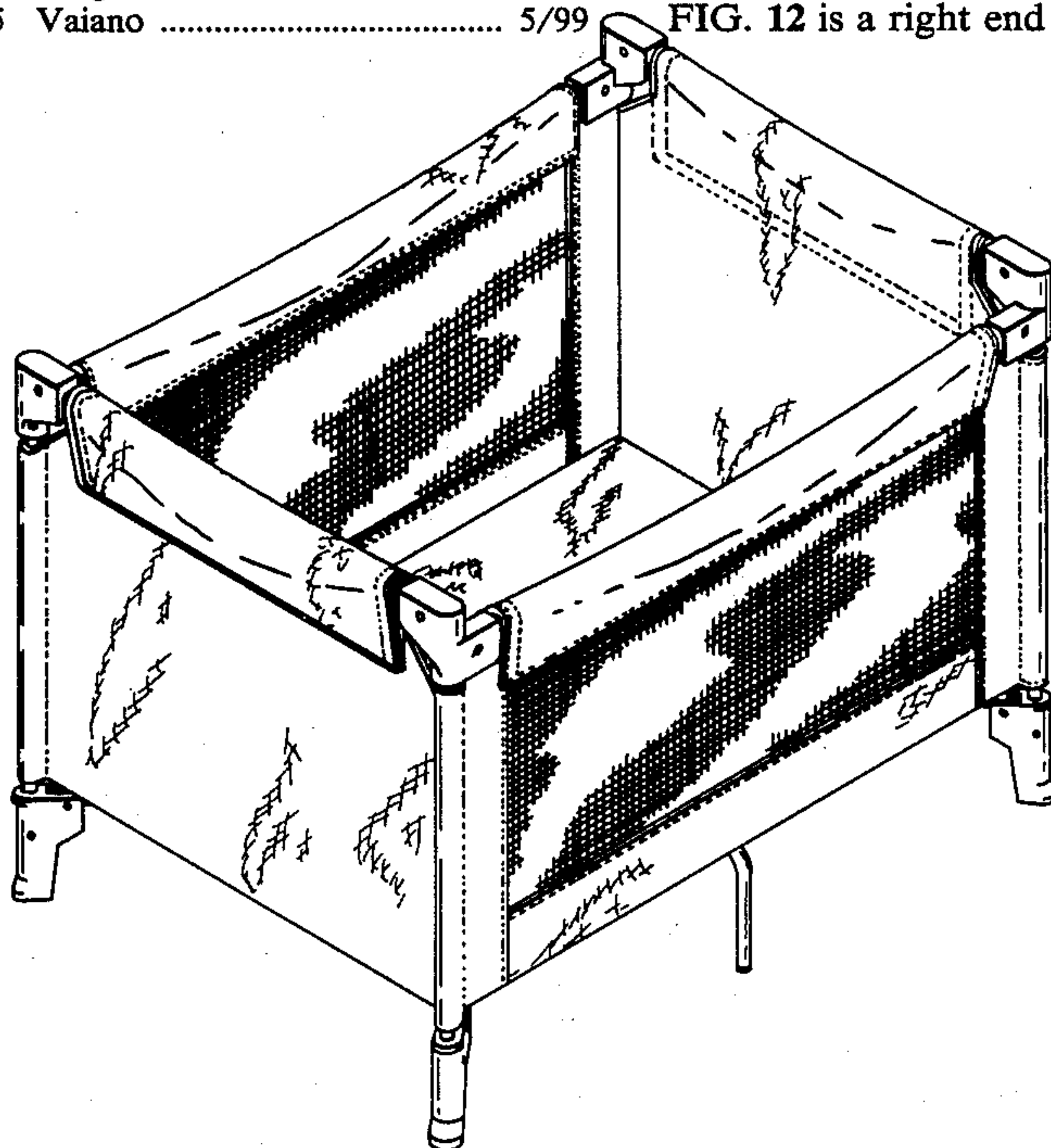


FIG. 1

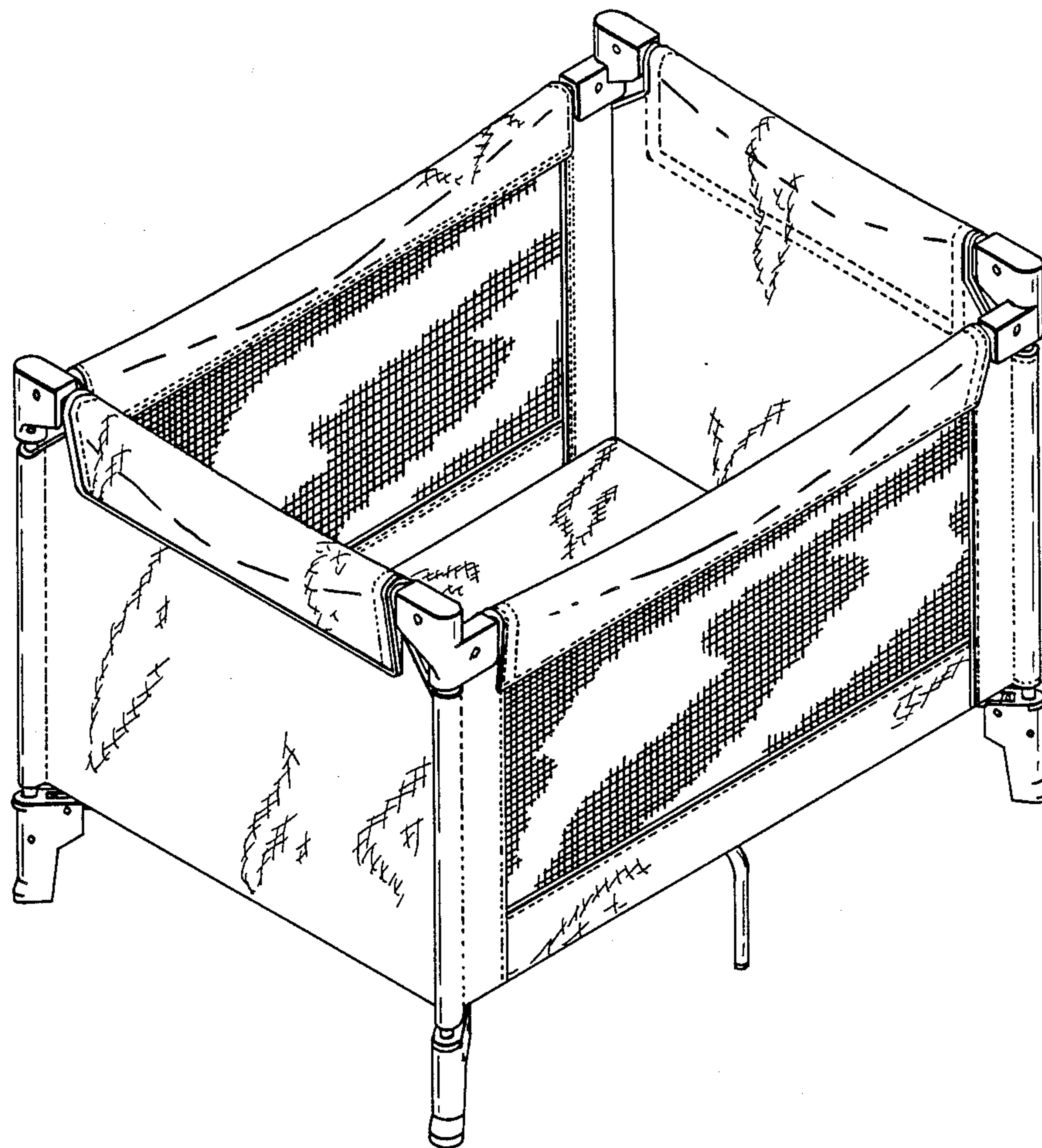


FIG. 2

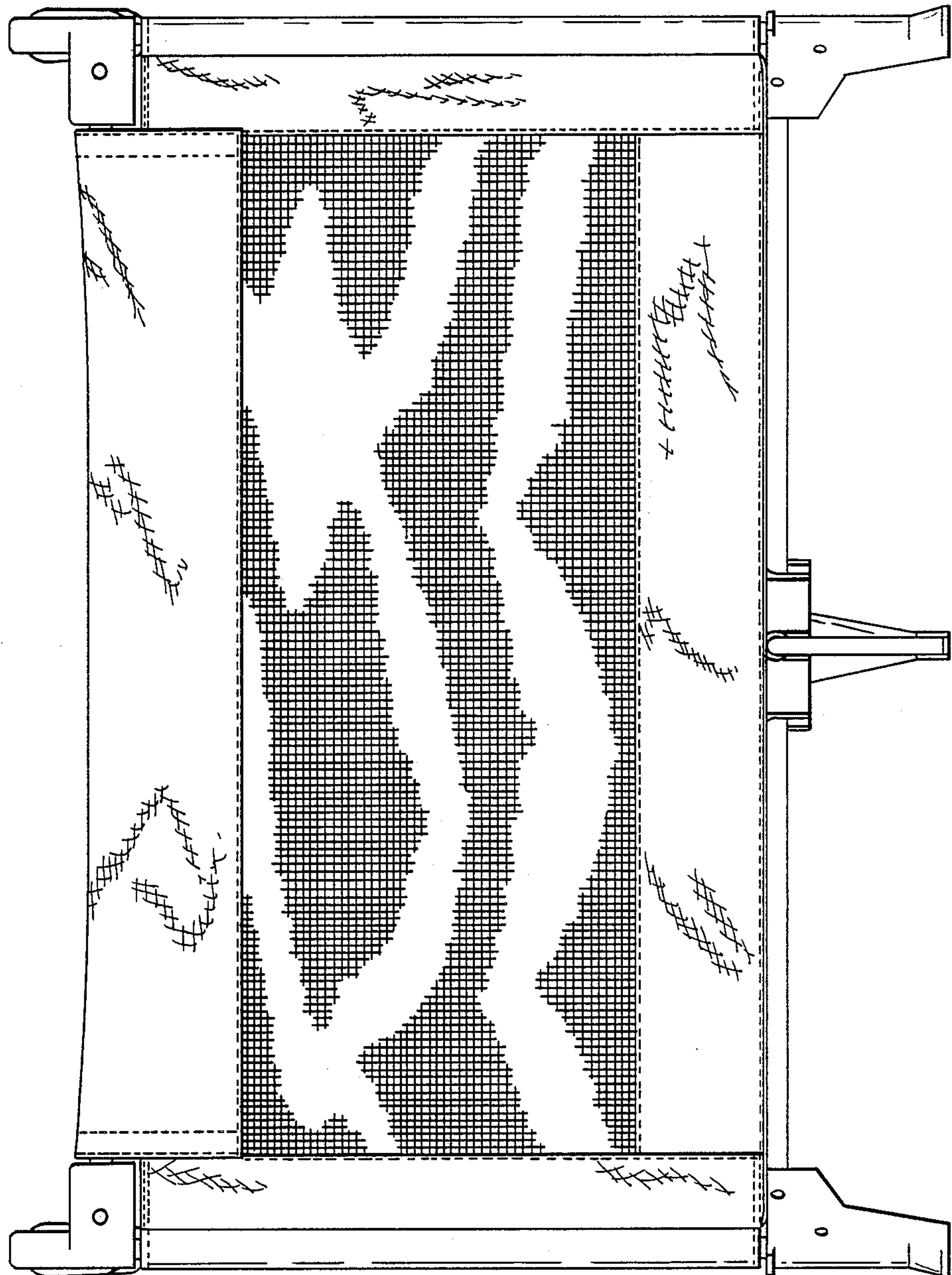


FIG. 3

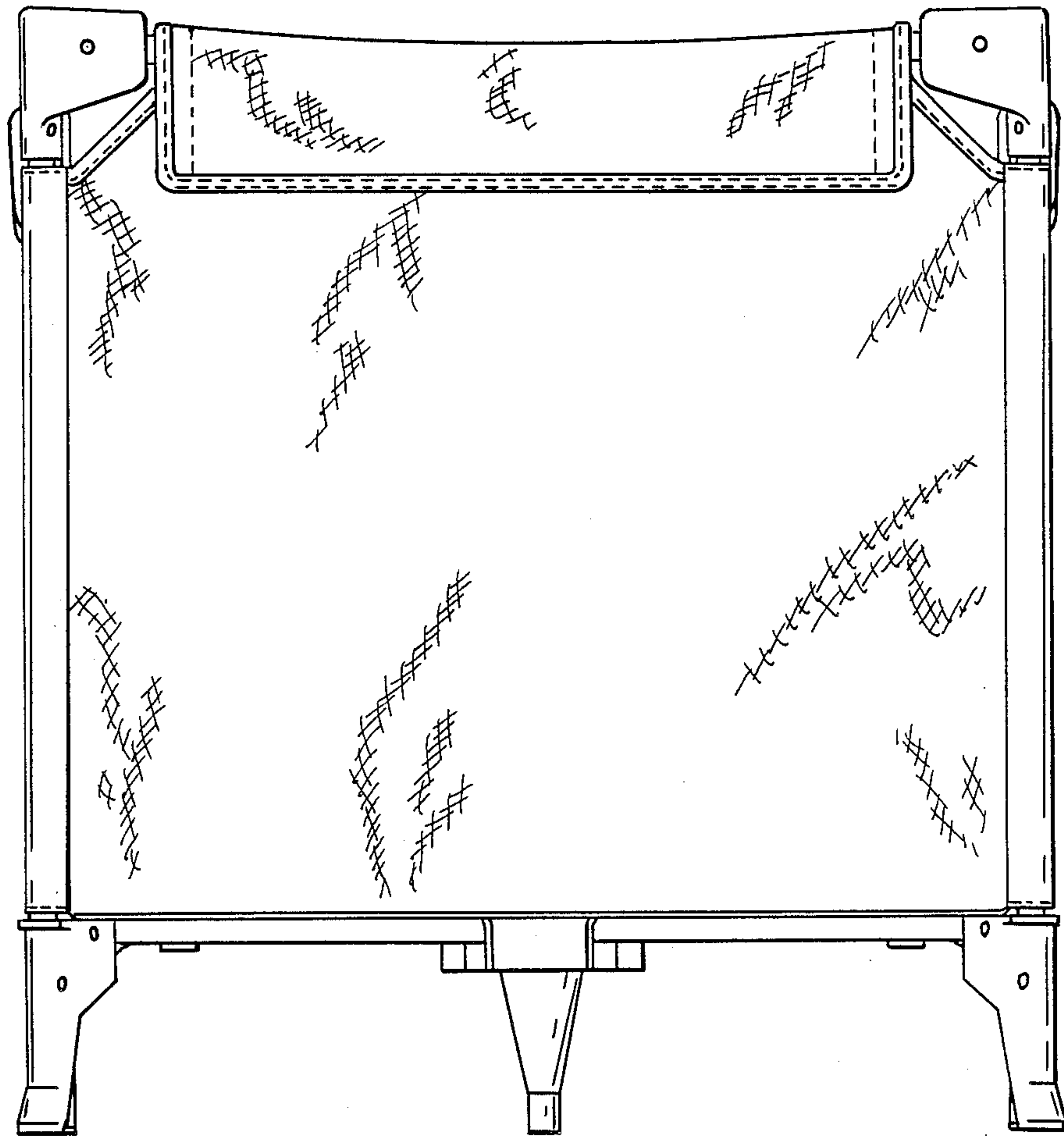


FIG. 4

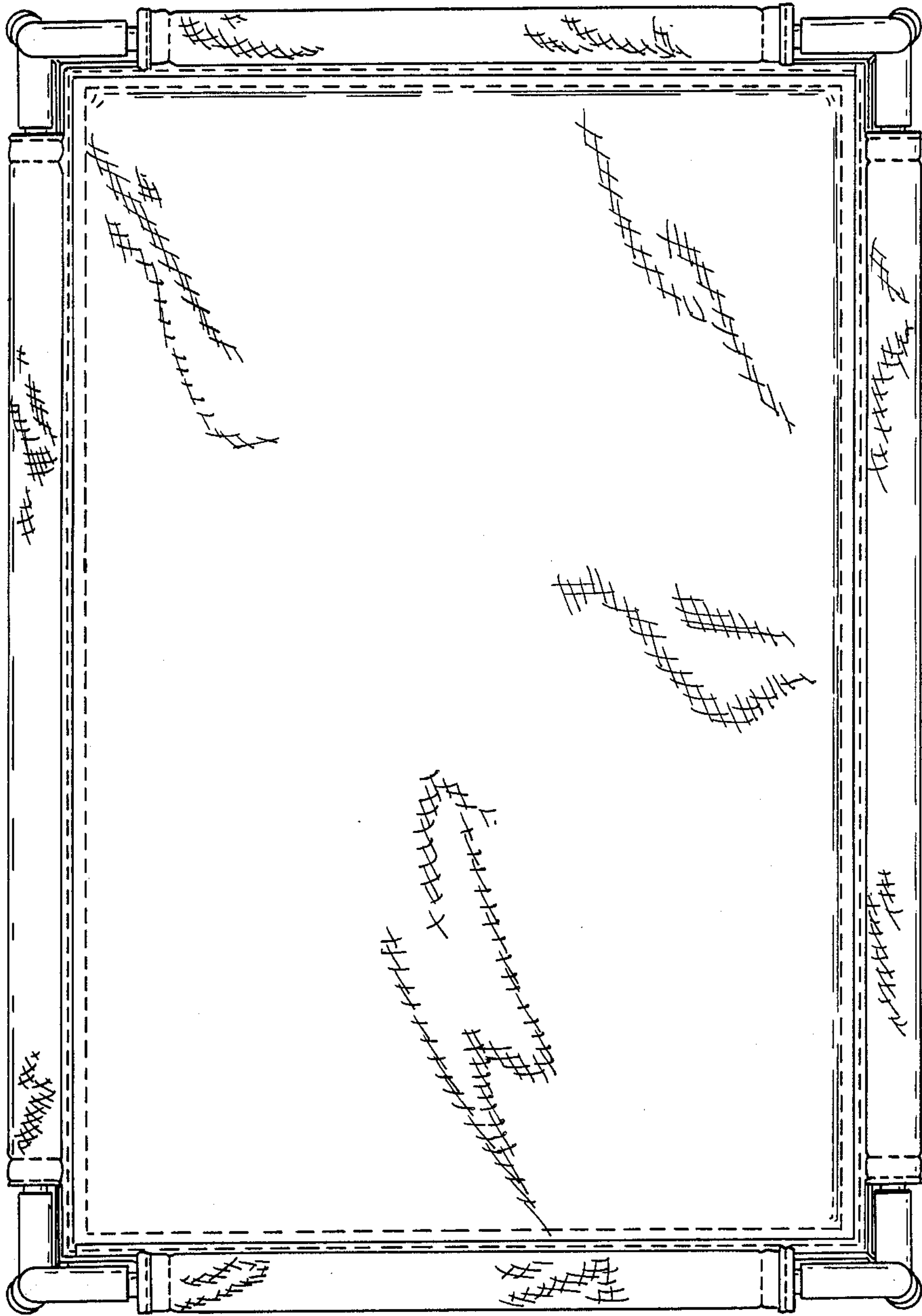
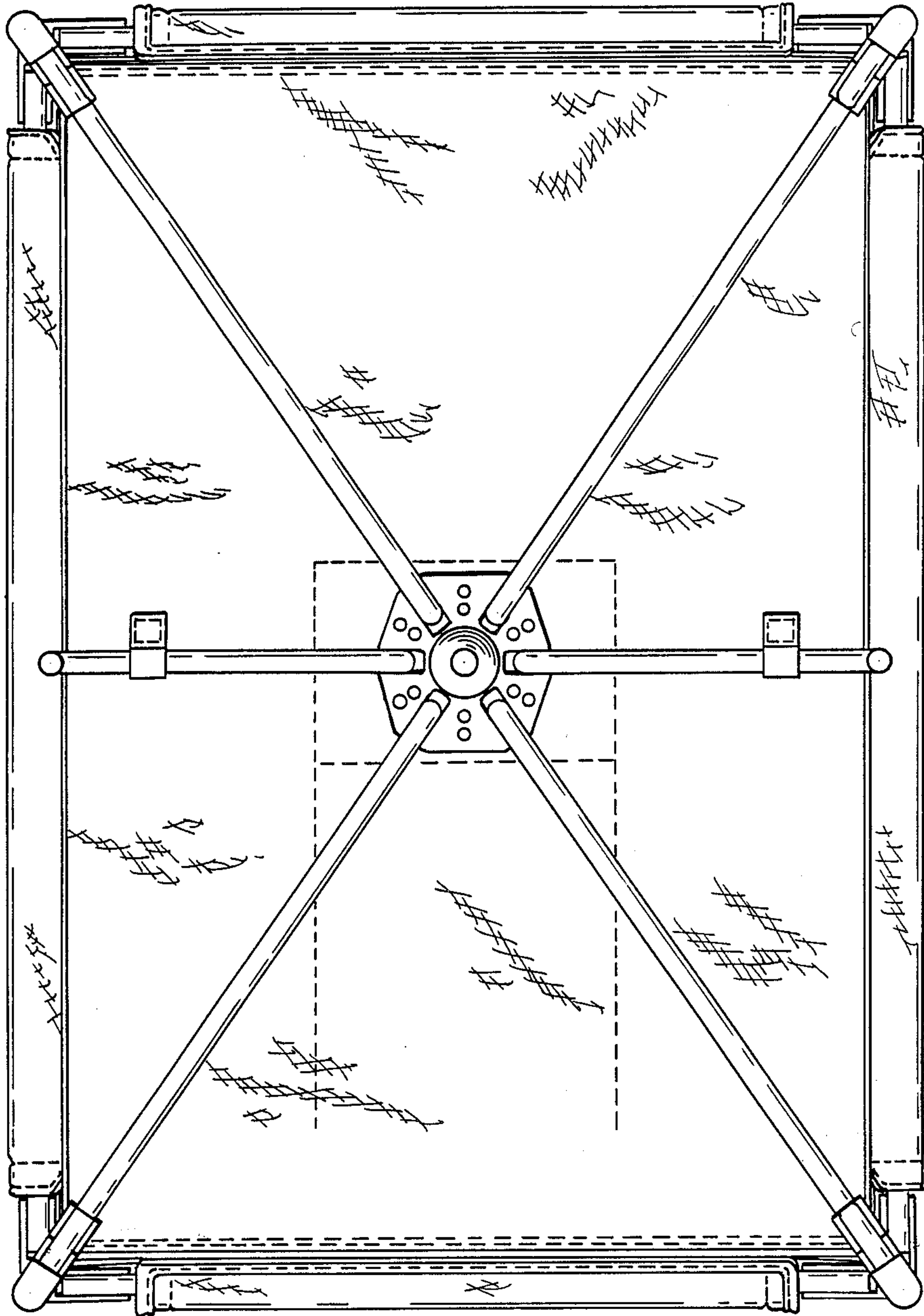


FIG. 5



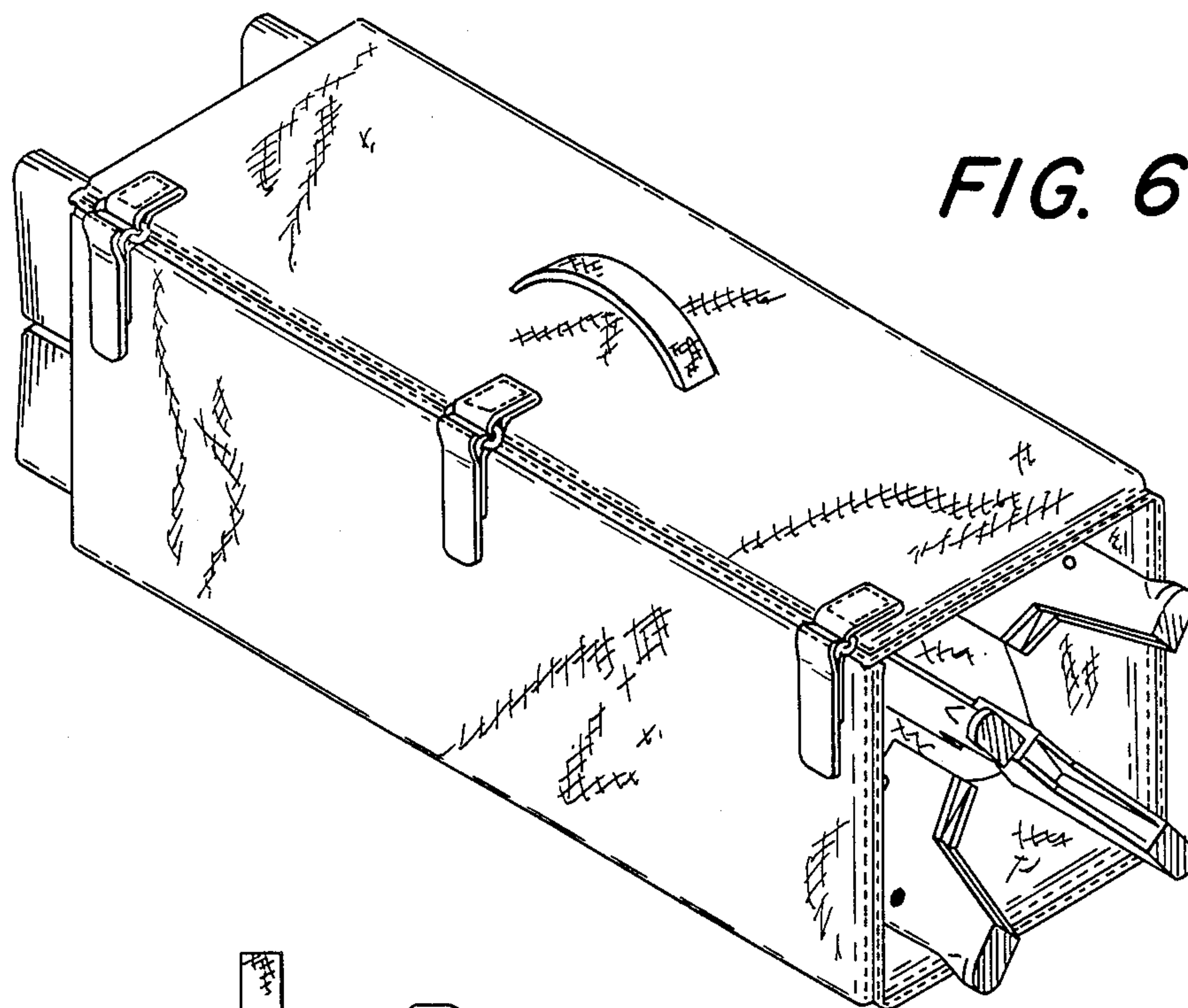


FIG. 6

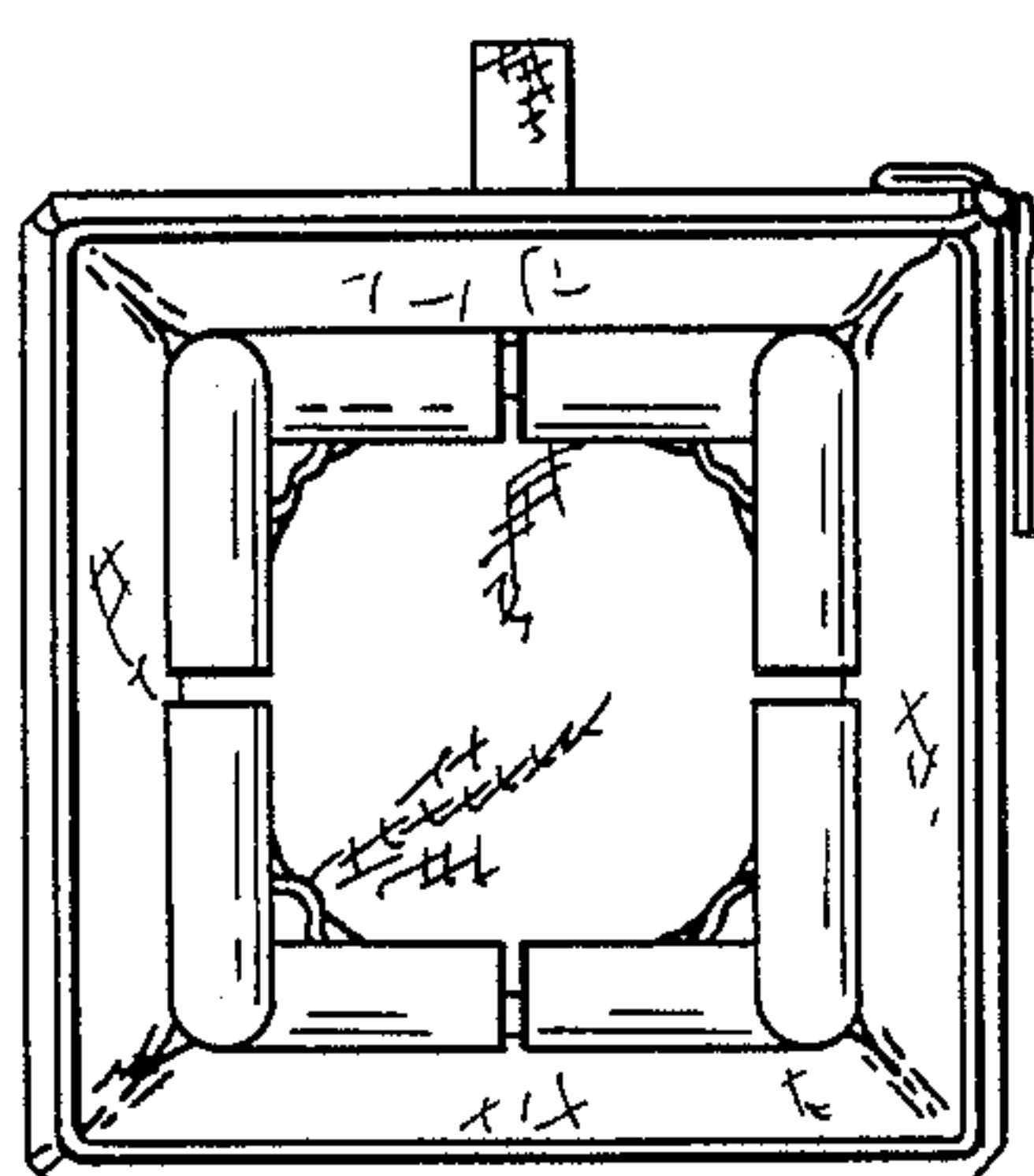


FIG. 11

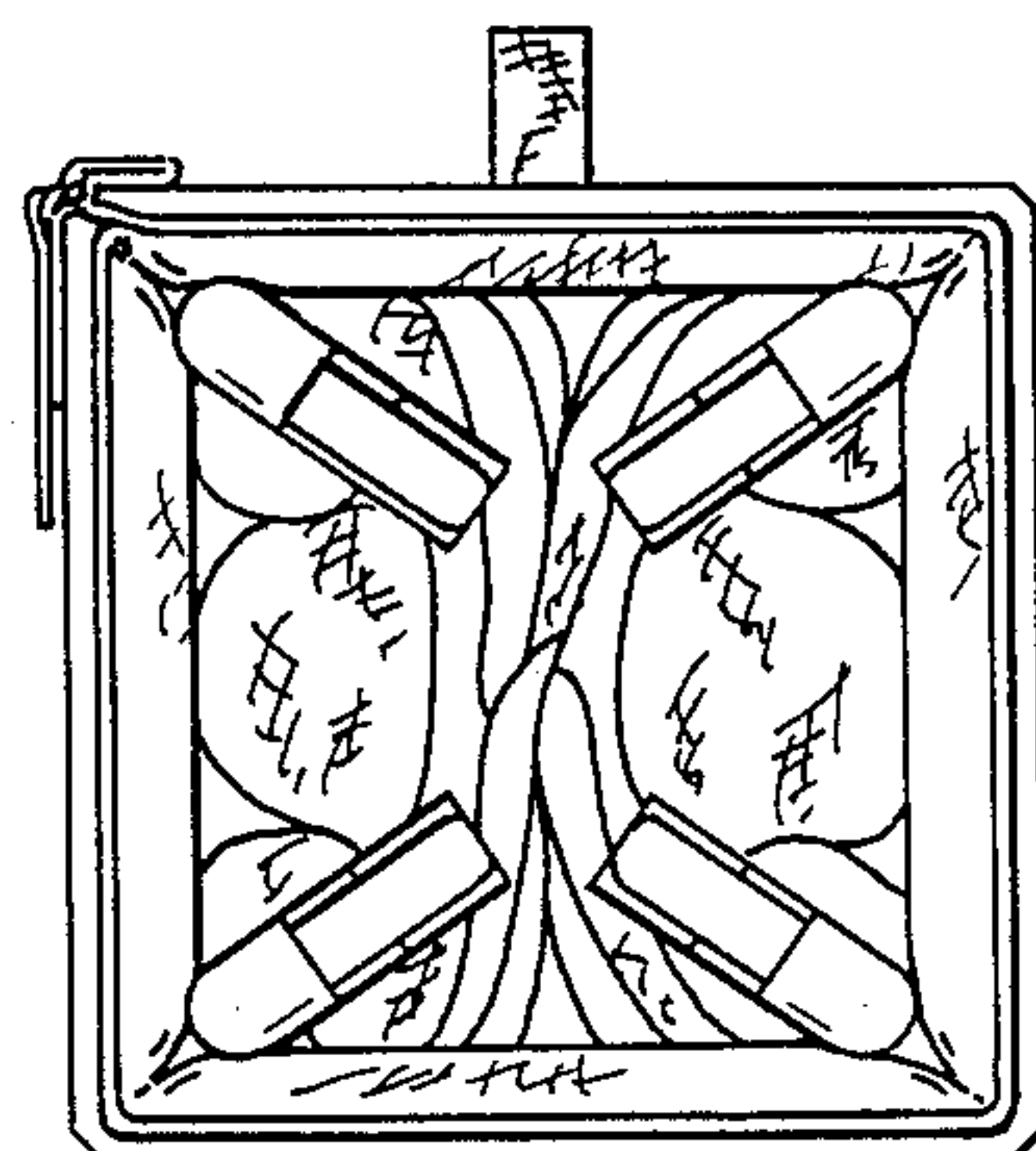


FIG. 12

FIG. 7

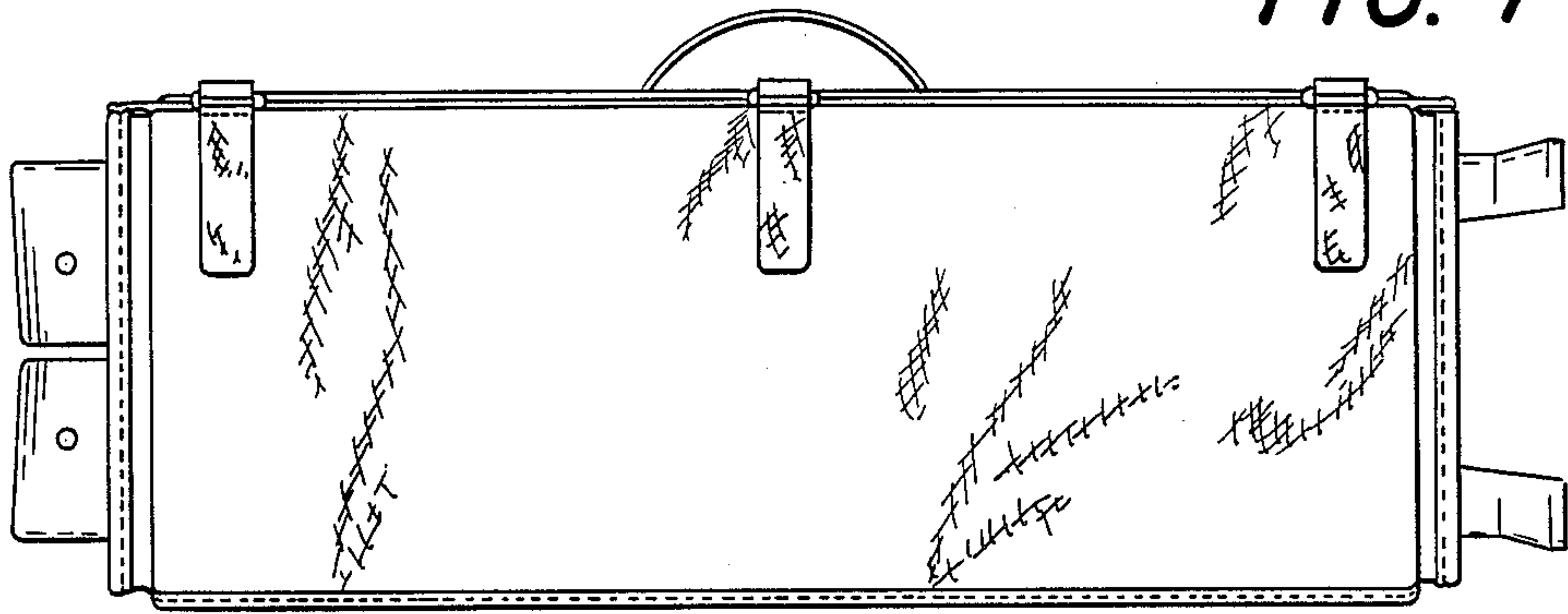


FIG. 8

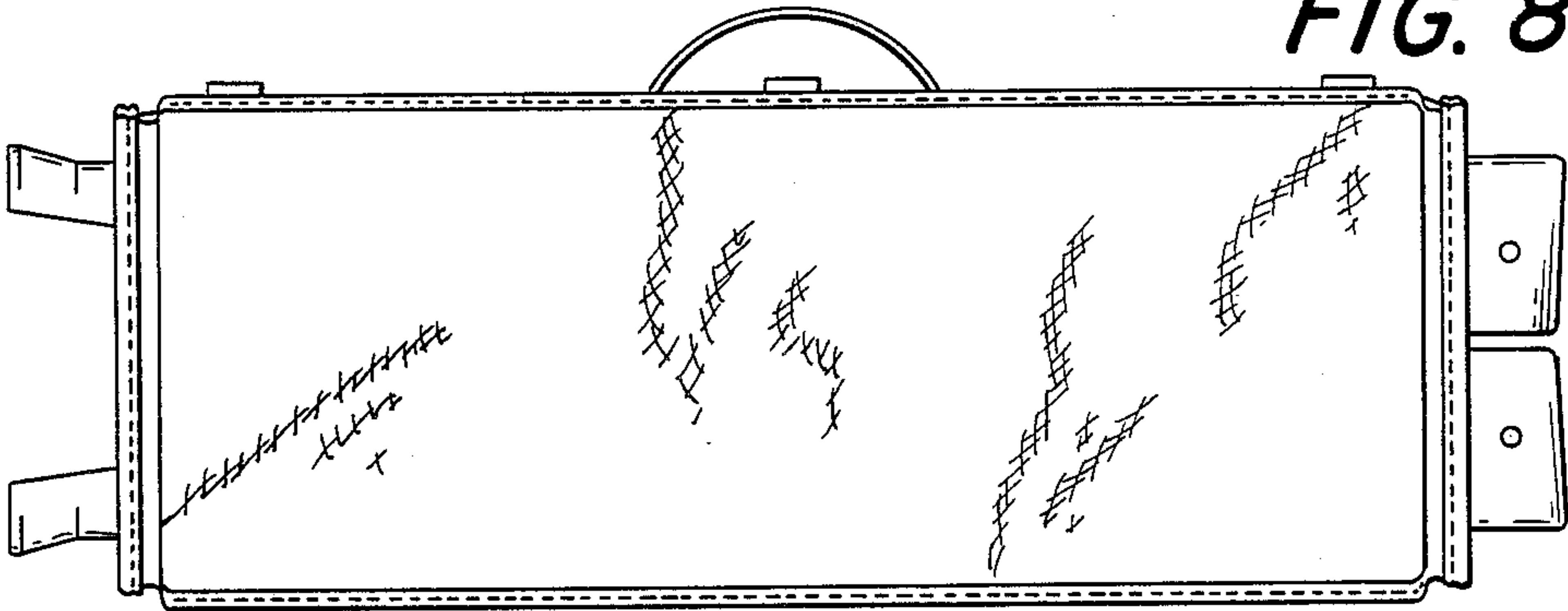


FIG. 9

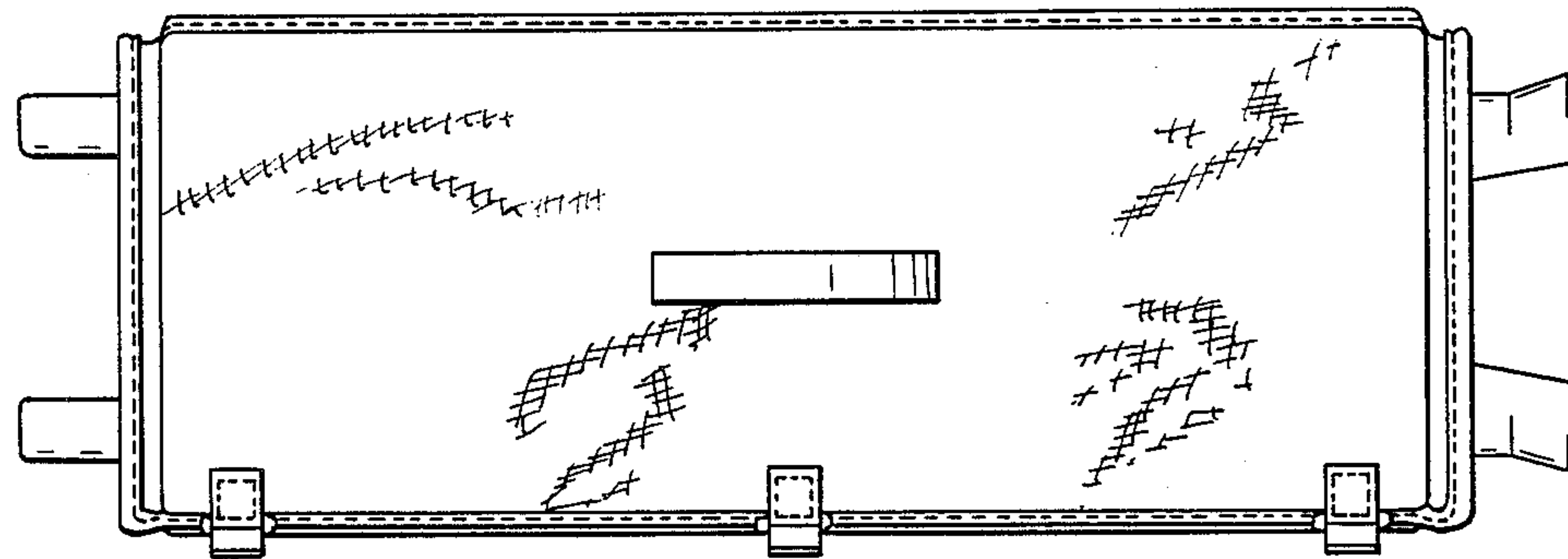


FIG. 10

