

United States Patent [19]

Vezirian et al.

[11] Patent Number: **Des. 304,514**

[45] Date of Patent: **** Nov. 7, 1989**

[54] COMMUNION CUP

[76] Inventors: **Edward Vezirian**, 110 Firwood,
Irvine, Calif. 92714; **Earle L. Hinton**,
851 Brighton, La Habra, Calif. 90631

[**] Term: **14 Years**

[21] Appl. No.: **900,004**

[22] Filed: **Aug. 25, 1986**

[52] U.S. Cl. **D99/25; D7/7;**
D7/11; D7/13

[58] Field of Search **D99/25; 215/99.5; D7/6,**
D7/11, 13, 9, 7; D26/9, 20

[56] References Cited

U.S. PATENT DOCUMENTS

D. 56,621 11/1920 Merkel et al. D26/20 X
D. 99,185 4/1936 Chapman D7/13 X
3,028,035 4/1962 Leong 215/99.5 X
3,713,528 1/1973 Daenen et al. 215/99.5 X

Primary Examiner—Winifred E. Herrmann

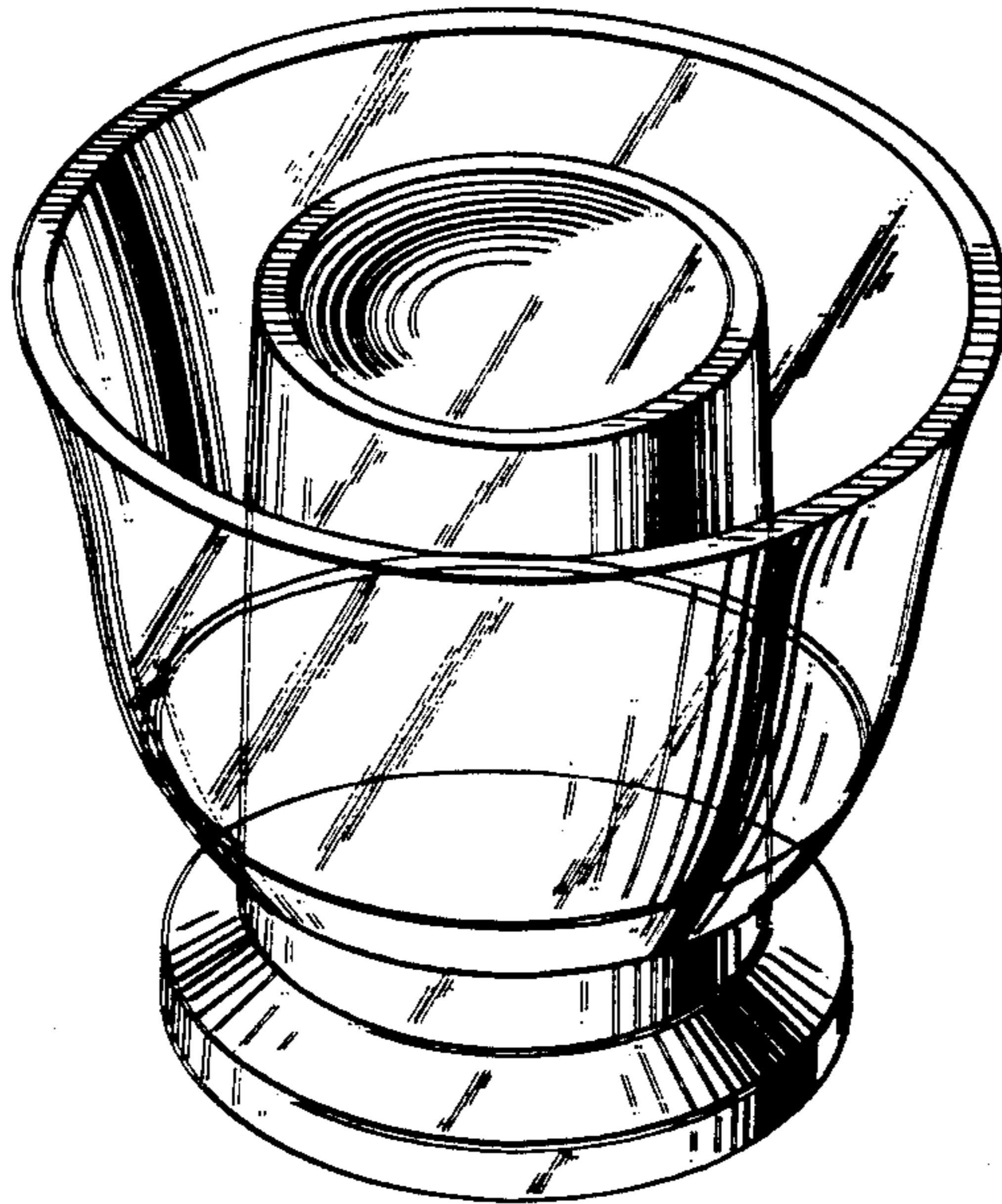
Assistant Examiner—John Warchol

[57] CLAIM

The ornamental design for a communion cup, as shown.

DESCRIPTION

FIG. 1 is a top, side perspective view of a communion cup showing our new design;
FIG. 2 is a side elevational view thereof;
FIG. 3 is a top plan view thereof; and
FIG. 4 is a bottom plan view thereof.



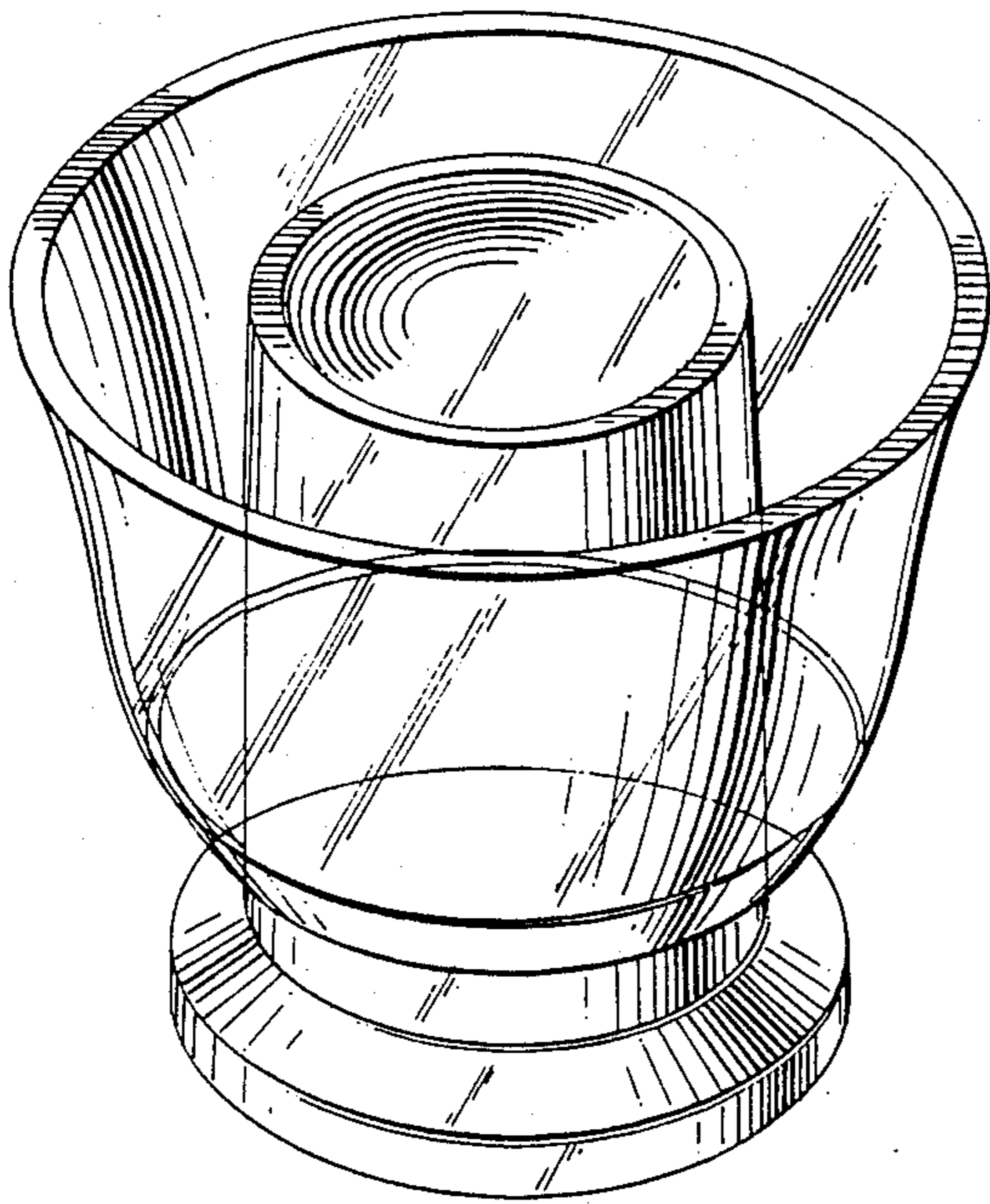


FIG. 1

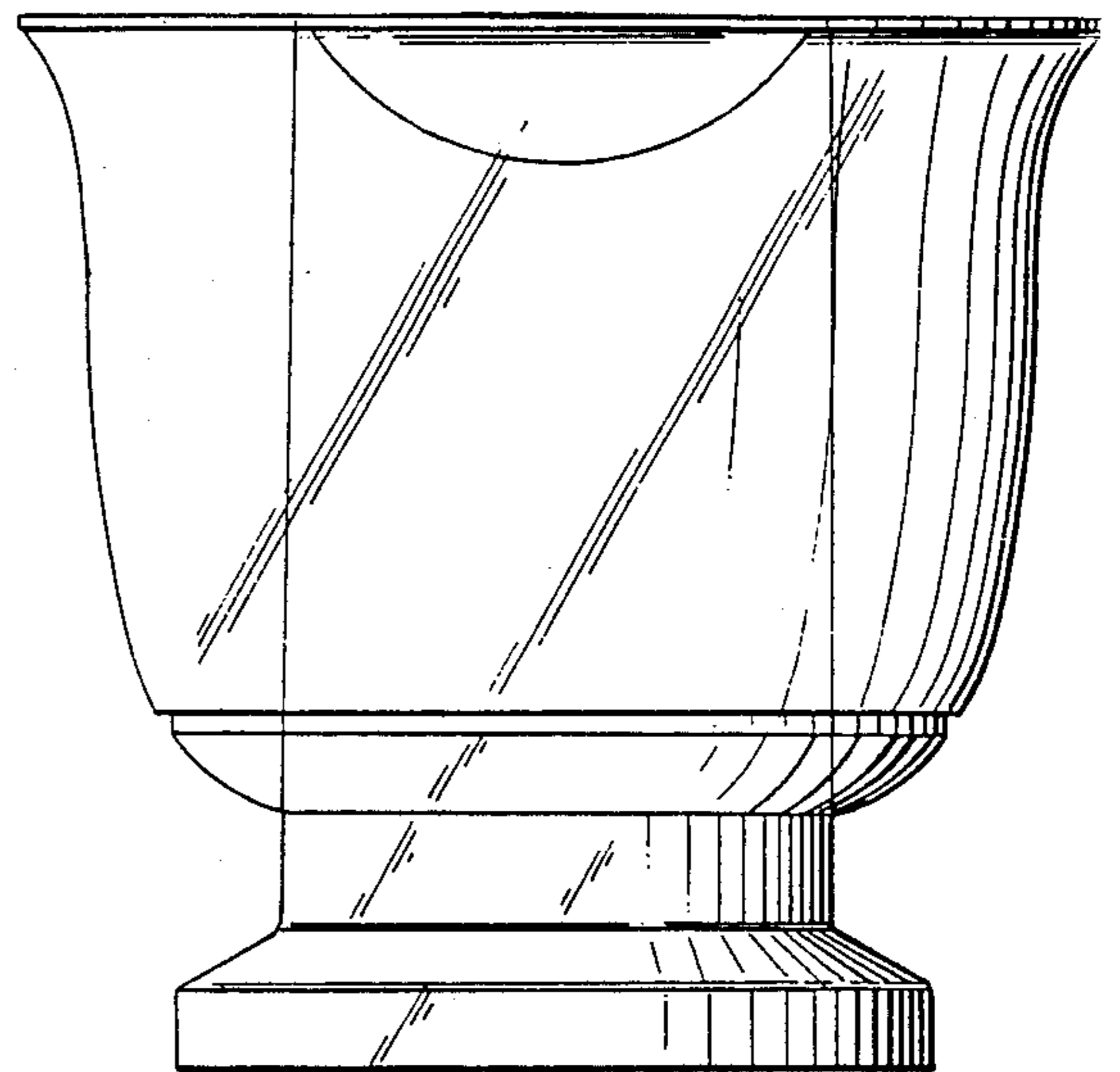


FIG. 2

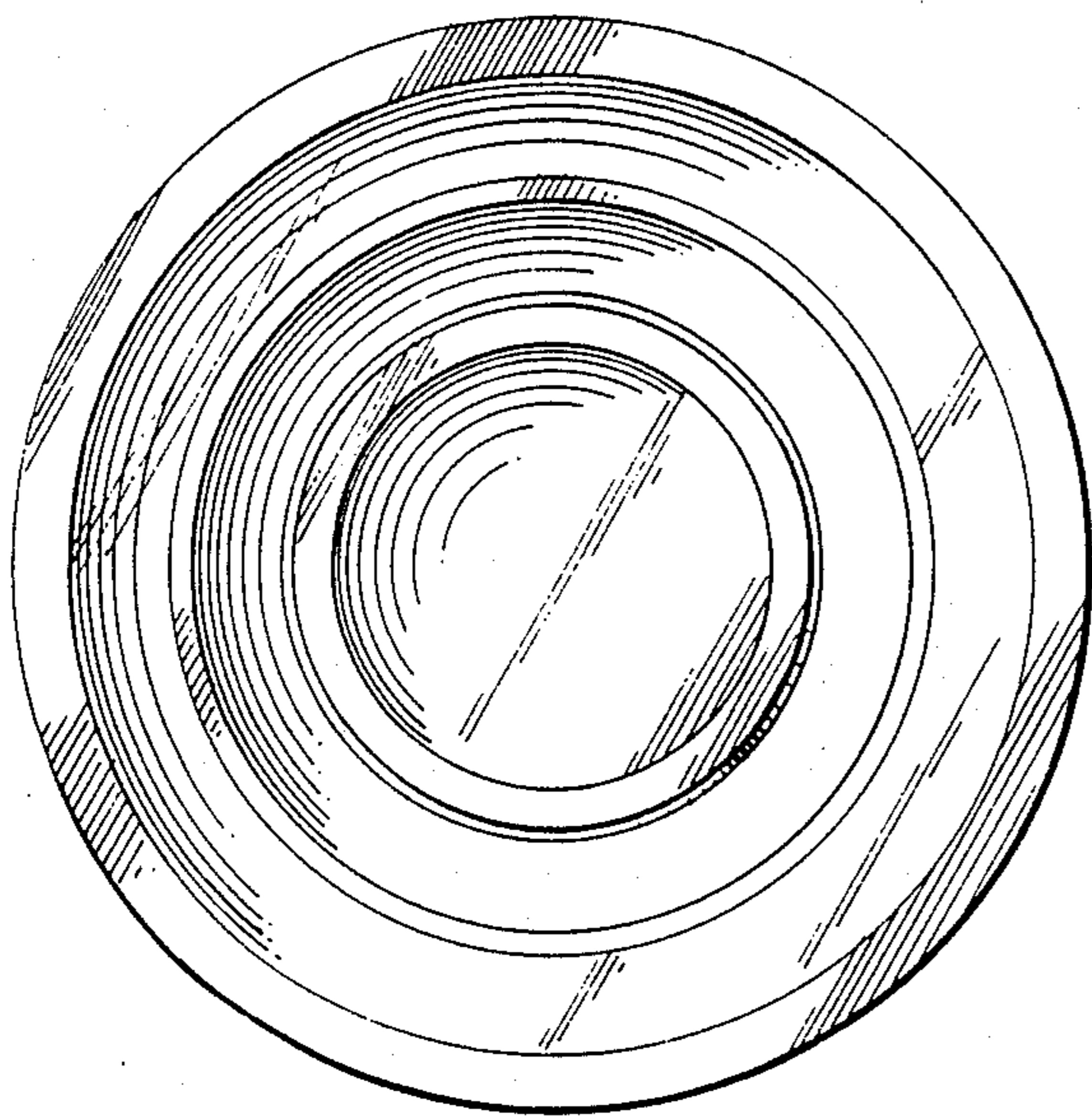


FIG. 3

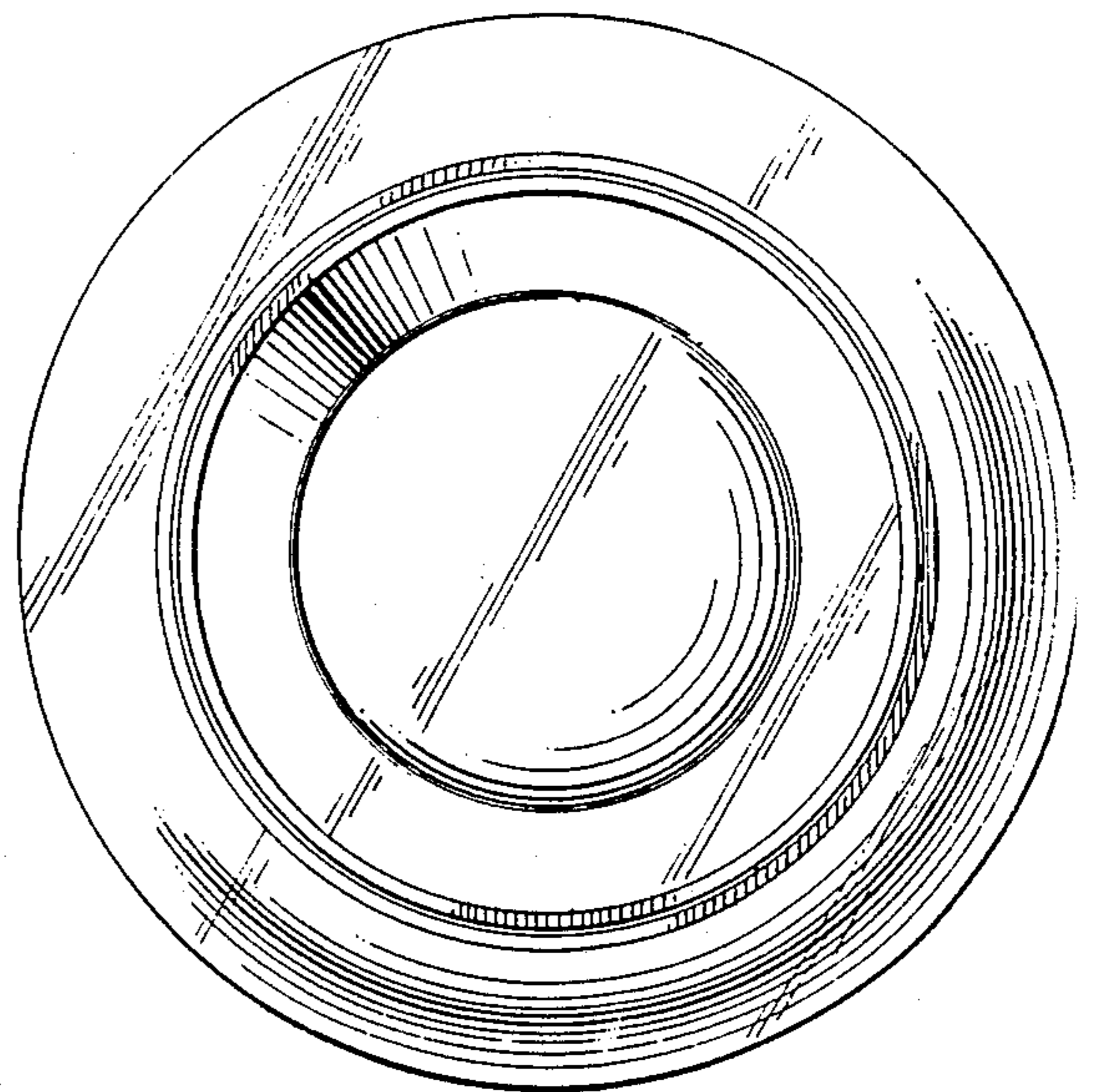


FIG. 4