

[54] COMBINED ARTIST'S BRUSH HOLDER AND CLEANING VESSEL

[75] Inventors: Carroll C. Byers, Chamblee, Ga.; Sheldon Schmidt, Paramus, N.J.

[73] Assignee: Loew-Cornell, Inc., Teaneck, N.J.

[**] Term: 14 Years

[21] Appl. No.: 130,674

[22] Filed: Dec. 9, 1987

[52] U.S. Cl. D32/35; D19/35

[58] Field of Search D4/199; D3/30.1; D7/323-325, 354; D19/35, 75, 85; 15/38, 146; 206/1.7, 1.8, 1.9, 15.2, 209, 214, 361; D32/35

[56] References Cited

U.S. PATENT DOCUMENTS

4,615,456 10/1986 Cousar 220/90

Primary Examiner—Wallace R. Burke
Assistant Examiner—Lavone D. Tabor
Attorney, Agent, or Firm—Weingram & Zall

[57] CLAIM

The ornamental design for a combined artist's brush holder and cleaning vessel, as shown and described.

DESCRIPTION

FIG. 1 is a perspective view of a combined artist's brush holder and cleaning vessel showing my new design; FIG. 2 is a top plan view thereof; FIG. 3 is a front elevational view thereof shown without the cover; FIG. 4 is a right side elevational view of FIG. 3, the left side being a mirror image thereof; FIG. 5 is a rear elevational view thereof; FIG. 6 is a bottom plan view thereof; FIG. 7 is an exploded perspective view of FIG. 1; and FIG. 8 is a top plan view thereof, shown without the cover.

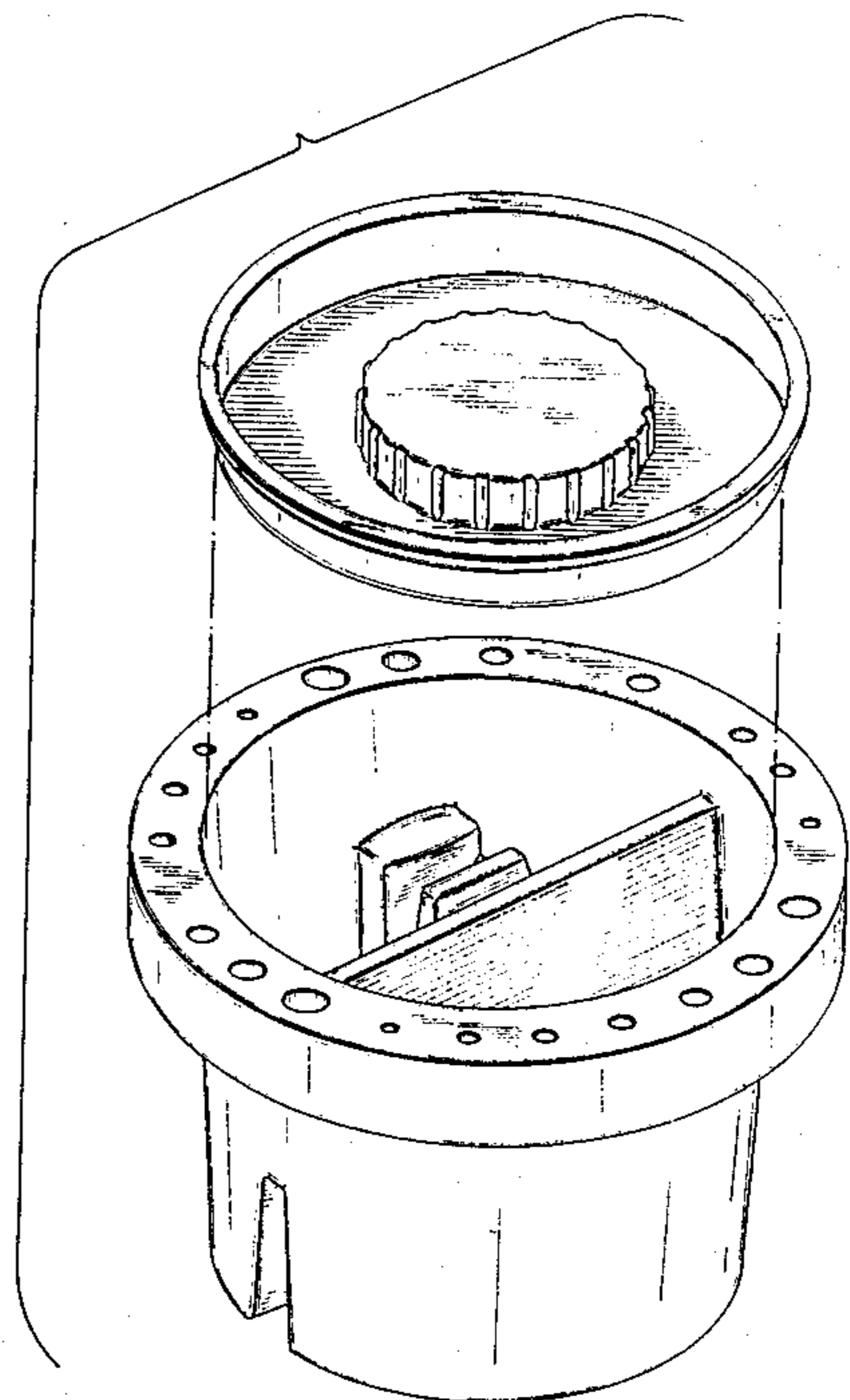
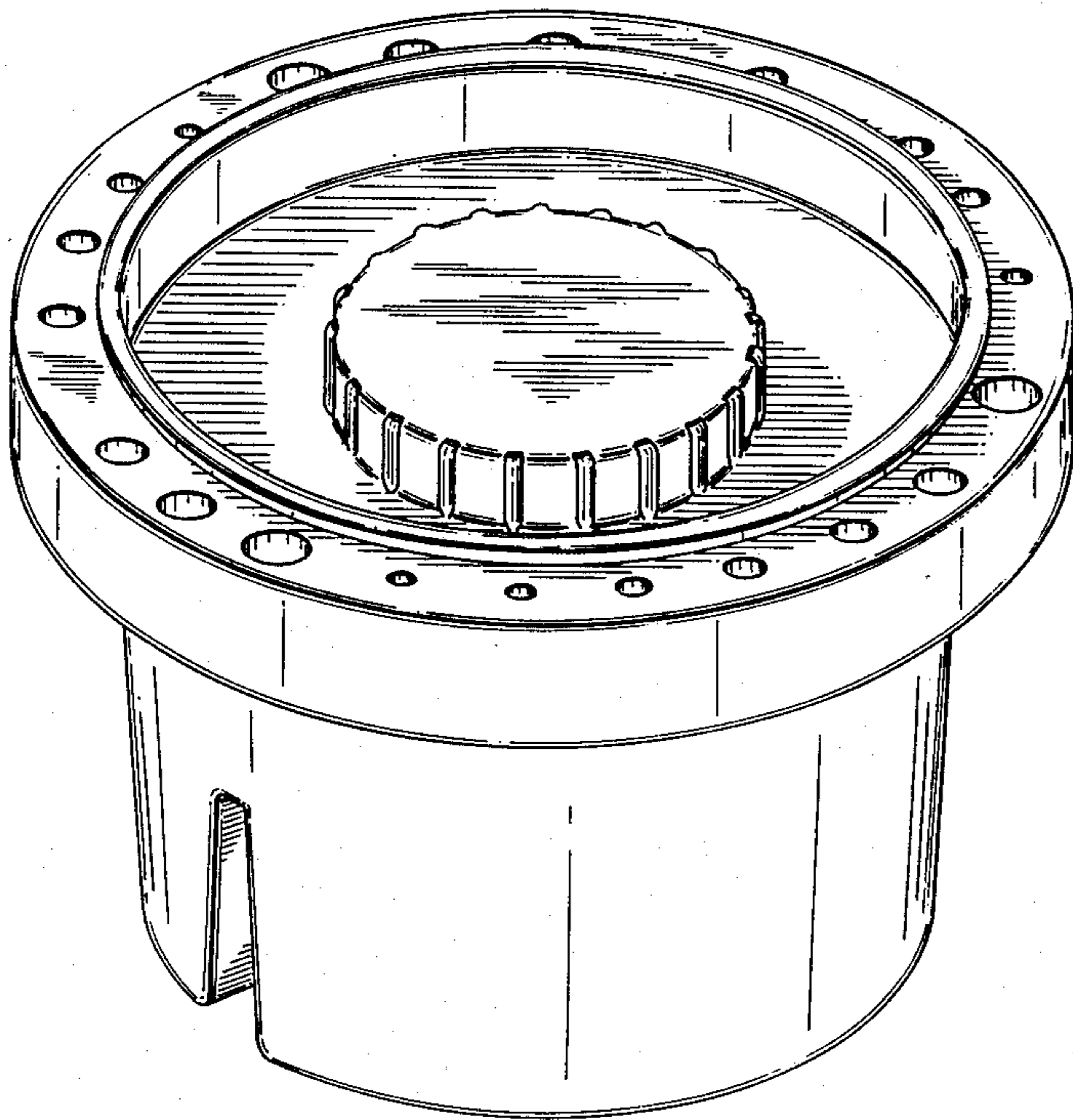


FIG-1

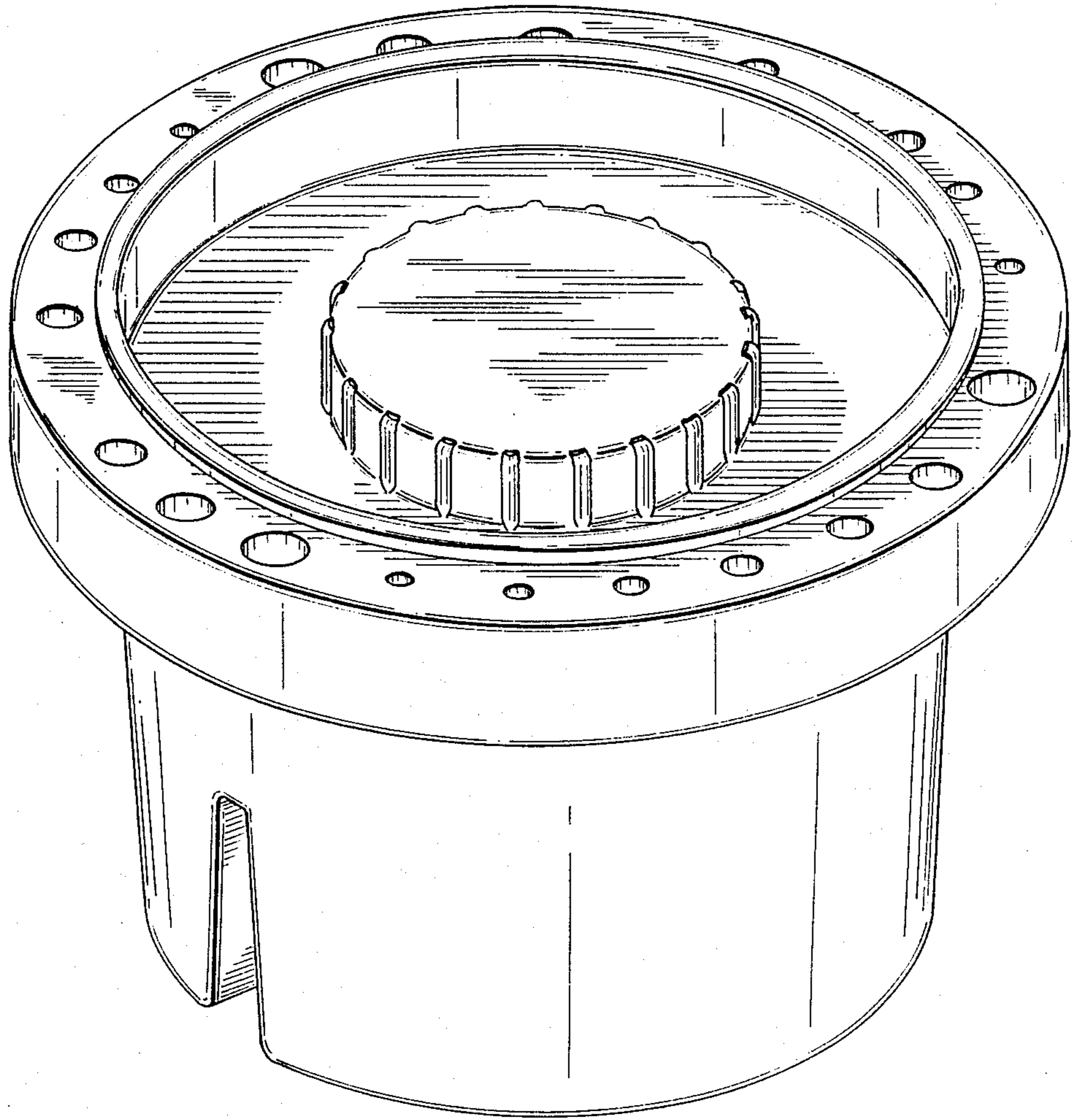


FIG-2

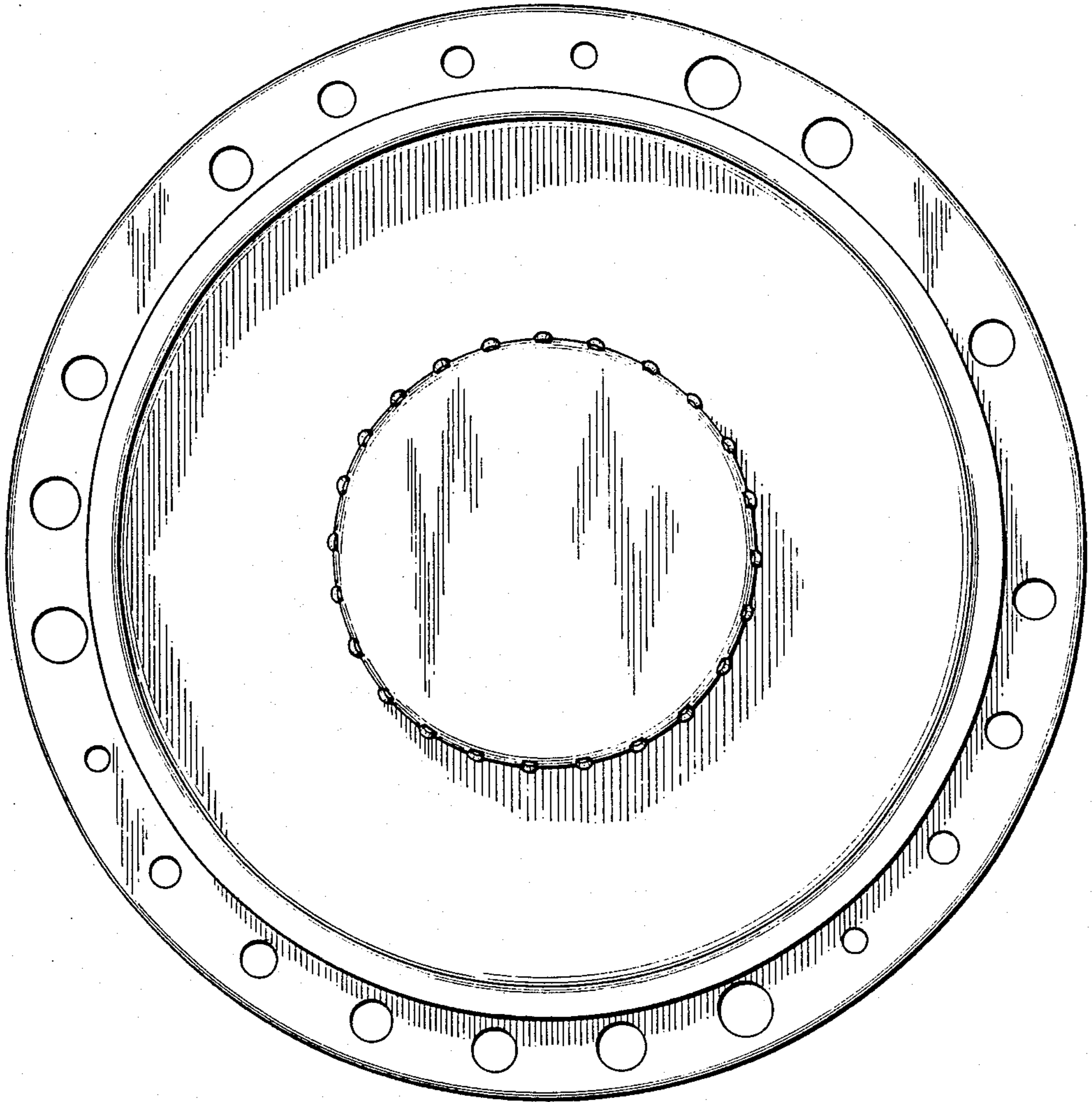


FIG-3

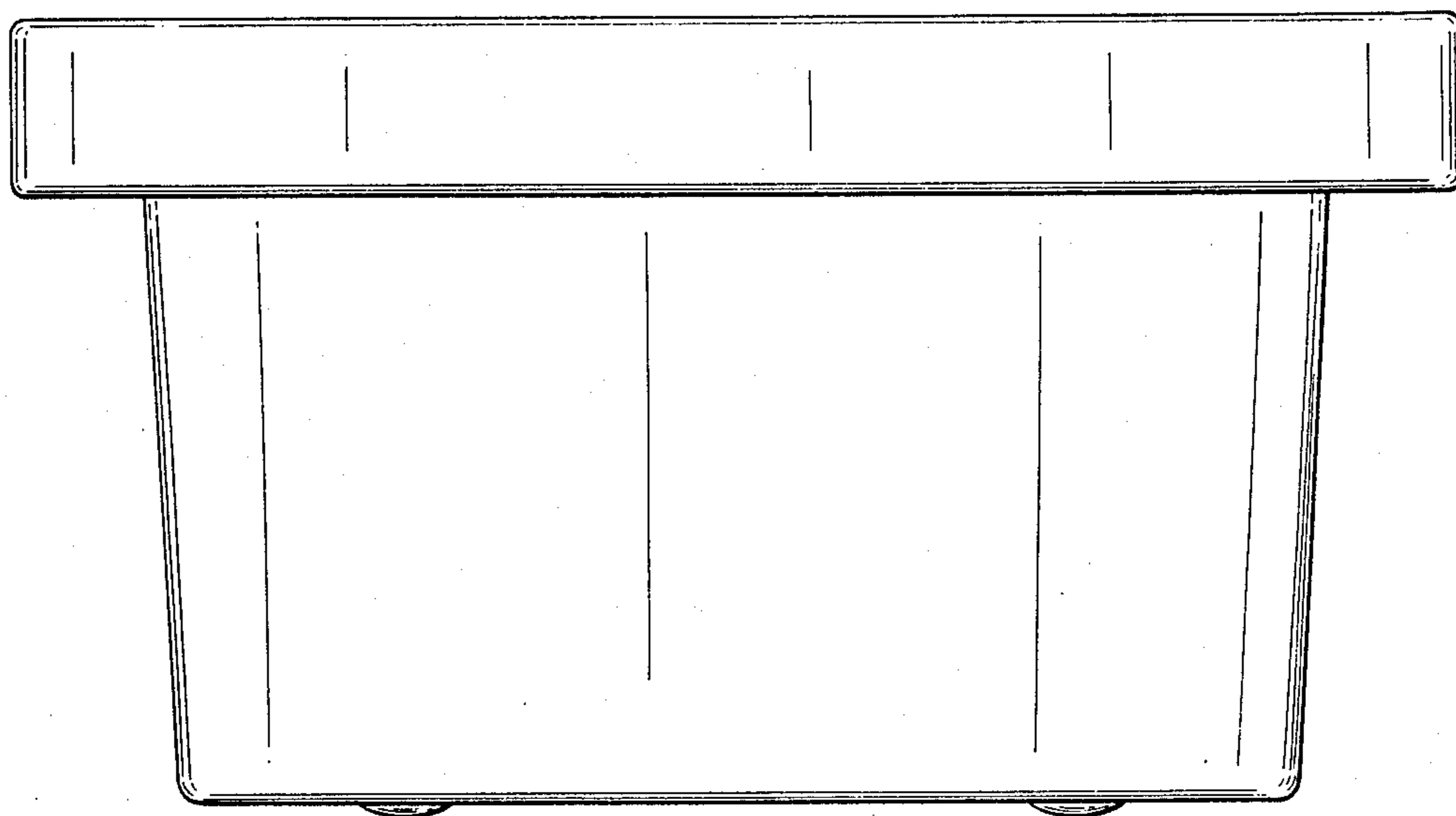


FIG-4

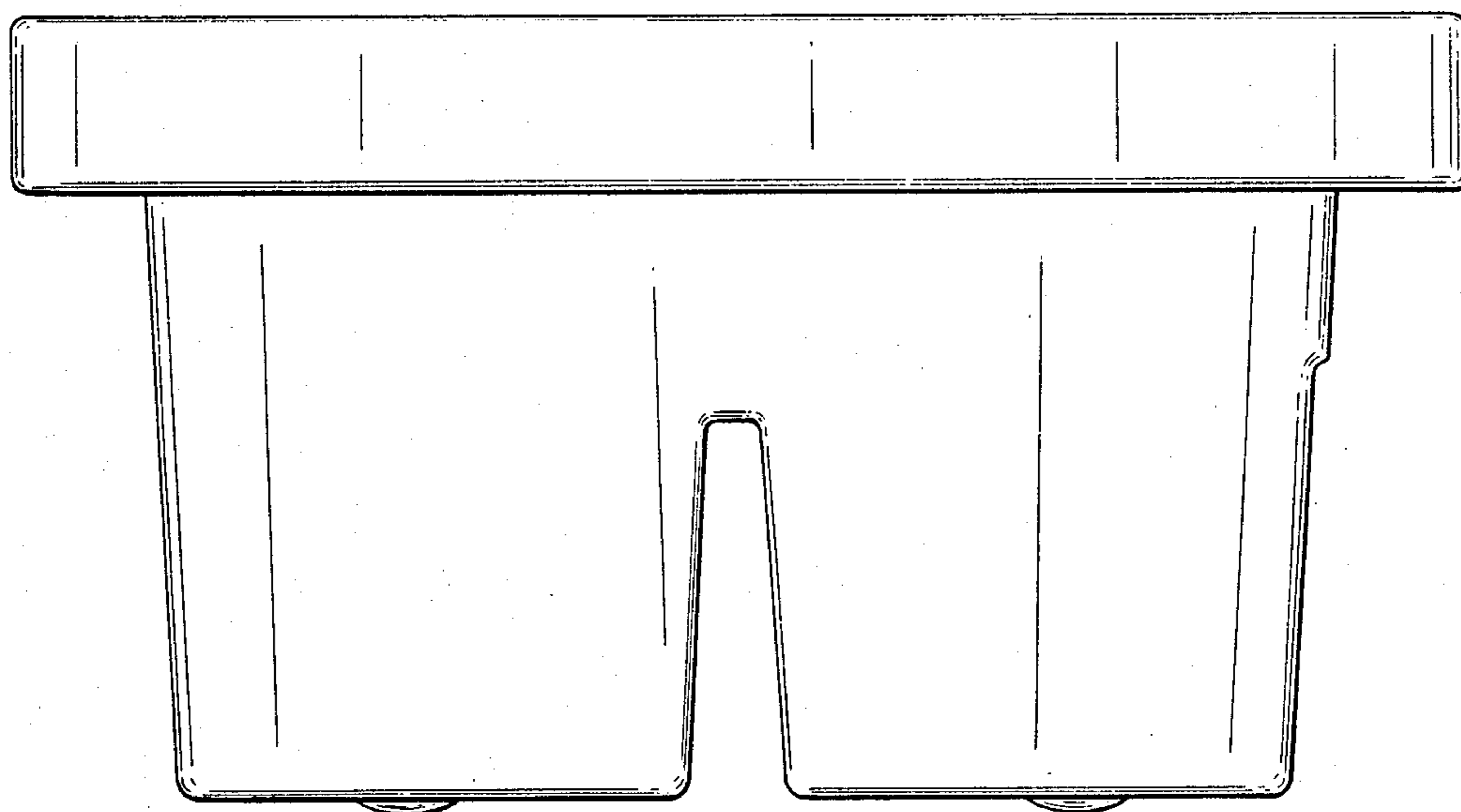


FIG-5

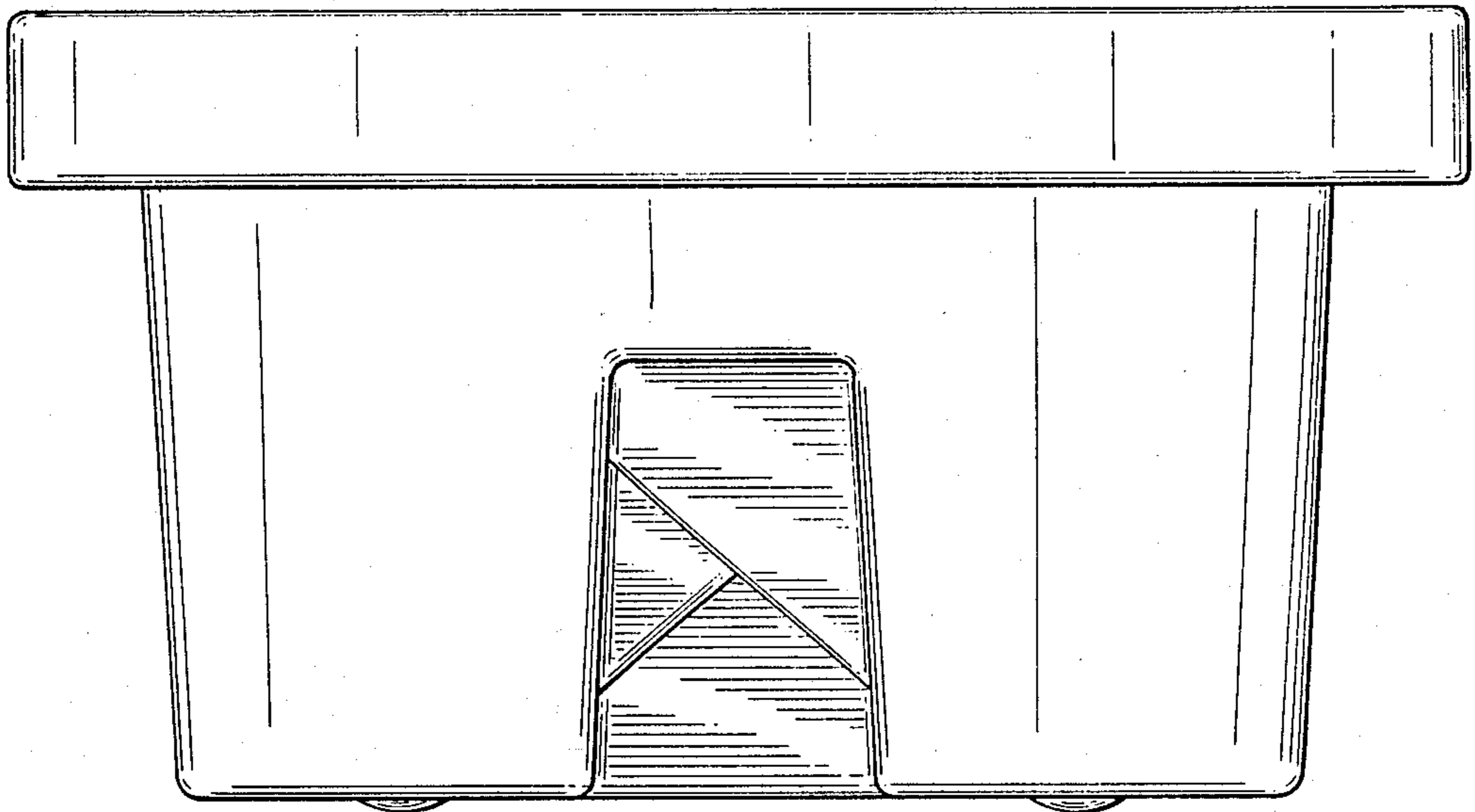


FIG-6

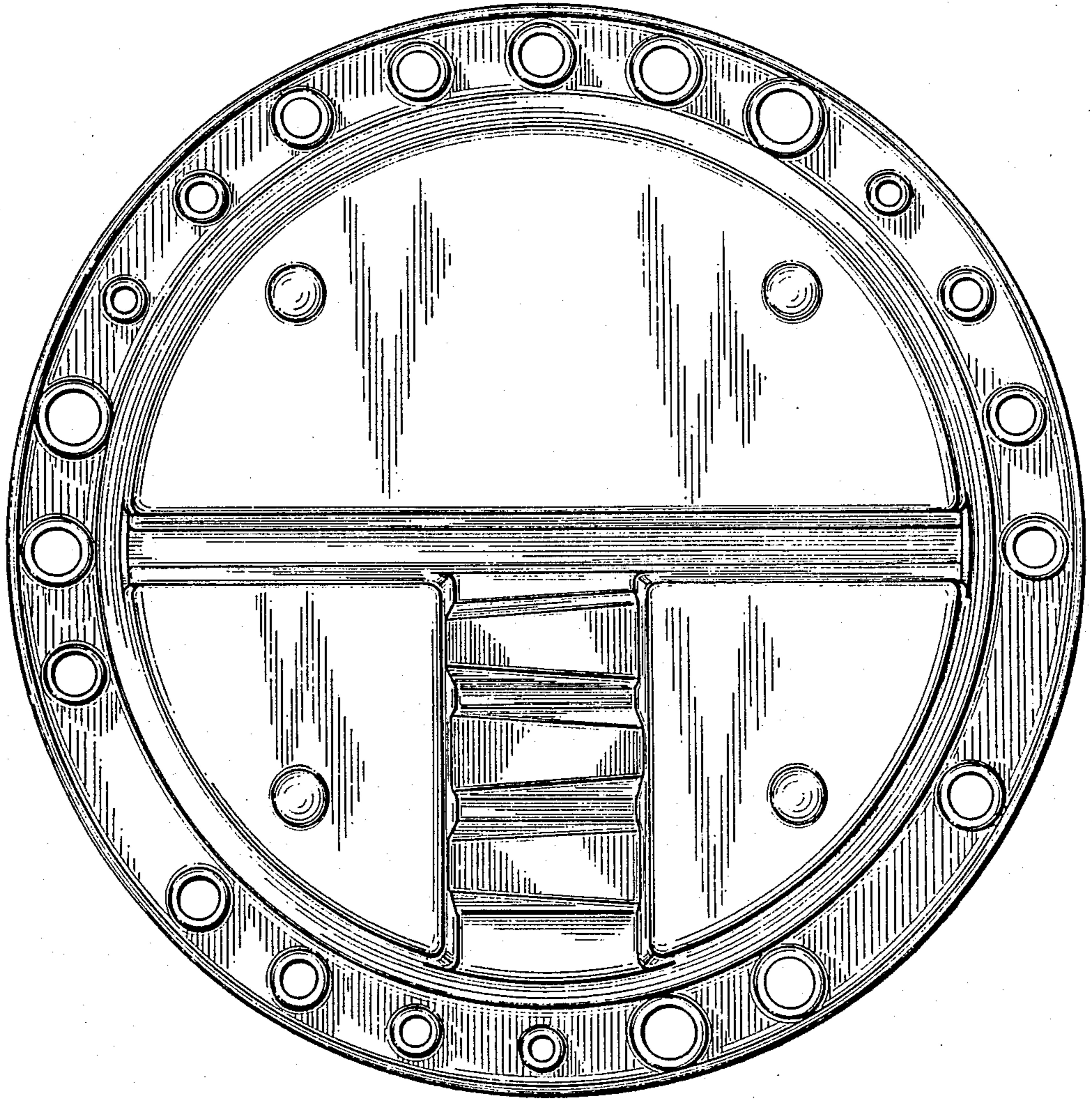


FIG-7

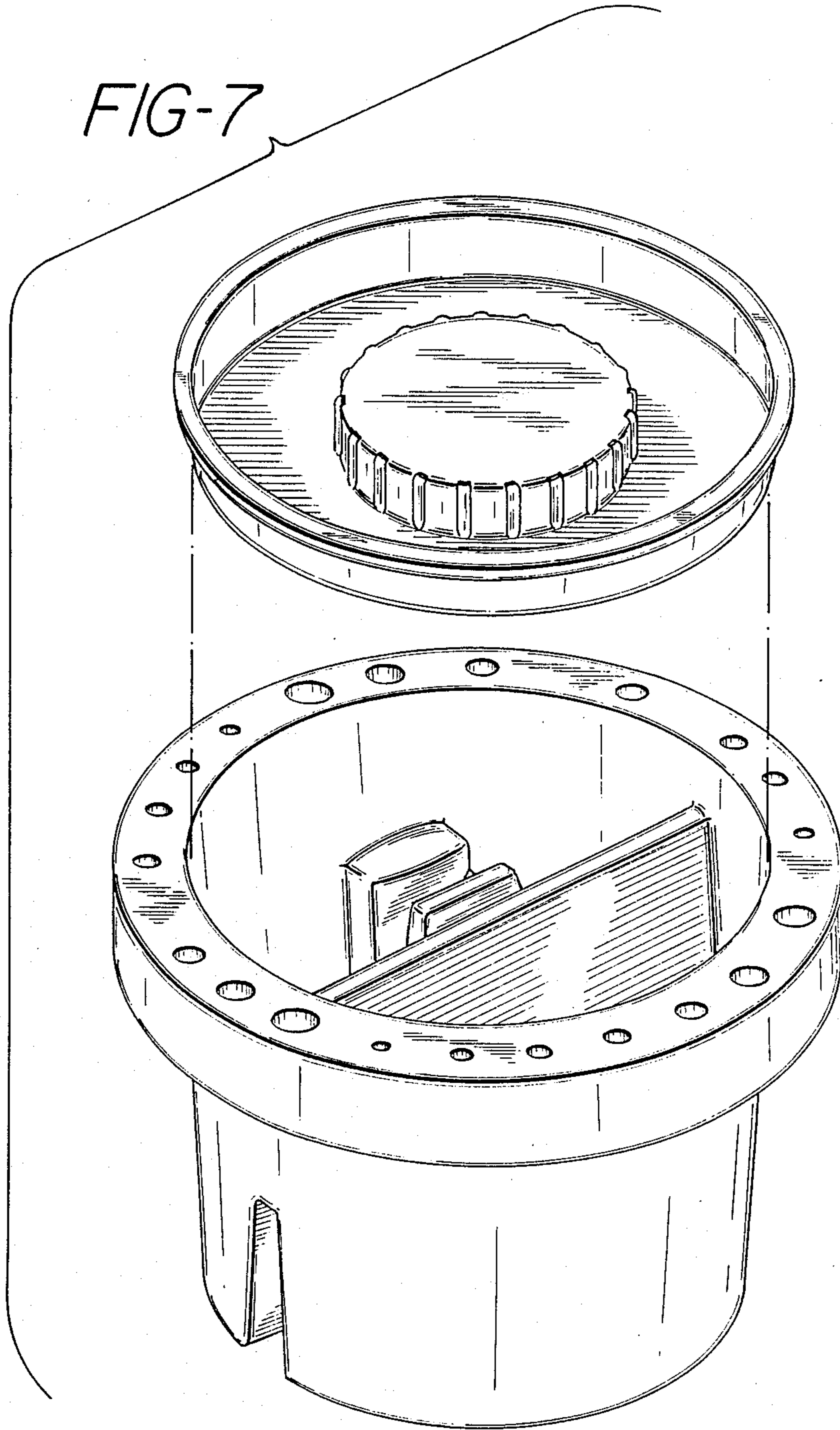


FIG-8

