

[54] COMBINED BLOWER AND VACUUM UNIT

[75] Inventors: Michael Baker, Gloster, La.; Jerry E. Stuart, Lake Havasu, Ariz.; William H. Schultz, Northbend, Ill.

[73] Assignee: White Consolidated Industries, Inc., Cleveland, Ohio

[**] Term: 14 Years

[21] Appl. No.: 69,622

[22] Filed: Jul. 6, 1987

[52] U.S. Cl. D32/15

[58] Field of Search D32/1, 15-18, D32/25, 32; D23/383, 393; 15/404-405, 344, 414, 415 R, 415 A, 420, 330-331, 335, 337; 417/234, 423.2, 236

[56] References Cited

U.S. PATENT DOCUMENTS

D. 263,547	3/1982	Carsello	D32/15
D. 271,715	12/1983	Kiyooka	D32/15
D. 276,662	12/1984	Zerrer et al.	D32/15
D. 279,319	6/1985	McCloskey et al.	D32/15
D. 299,571	1/1989	Kiyooka et al.	D32/15

OTHER PUBLICATIONS

Weed Eater Brochure, "Weed Eater Blowers".

Primary Examiner—Bruce W. Dunkins

Assistant Examiner—Ruth Takemoto

Attorney, Agent, or Firm—Hubbard, Thurman, Turner & Tucker

[57] CLAIM

The ornamental design for a combined blower and vacuum unit, as shown and described.

DESCRIPTION

FIG. 1 is a top, rear and right side perspective view of a combined blower and vacuum unit showing our new design;

FIG. 2 is a top, front and left side perspective view thereof, the nozzle shown in broken lines is for illustrative purposes only and forms no part of the claimed design;

FIG. 3 is a left side elevational view thereof;

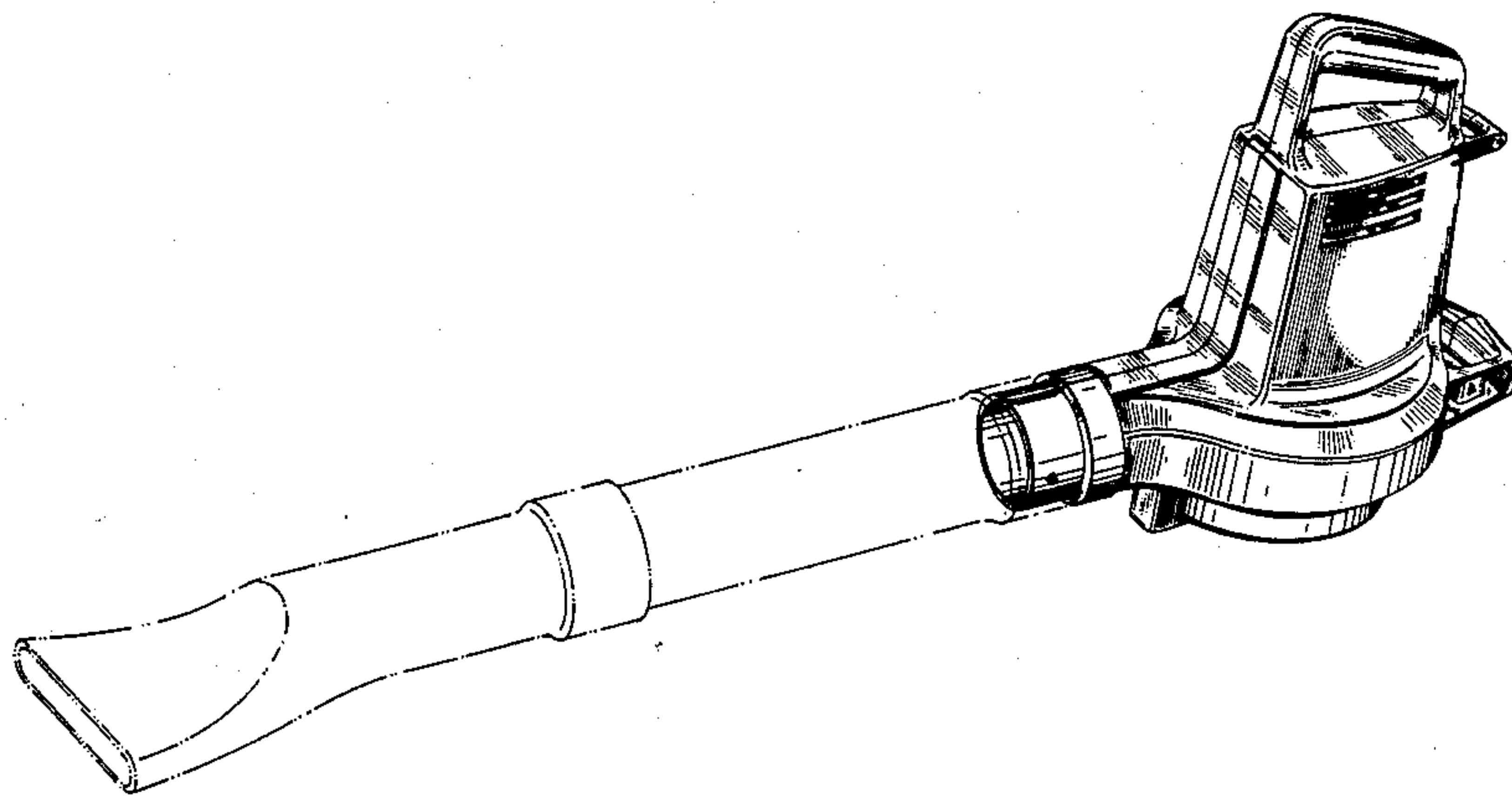
FIG. 4 is a rear elevational view thereof;

FIG. 5 is a right side elevational view thereof;

FIG. 6 is a front elevational view thereof;

FIG. 7 is a top plan view thereof; and

FIG. 8 is a bottom plan view thereof.



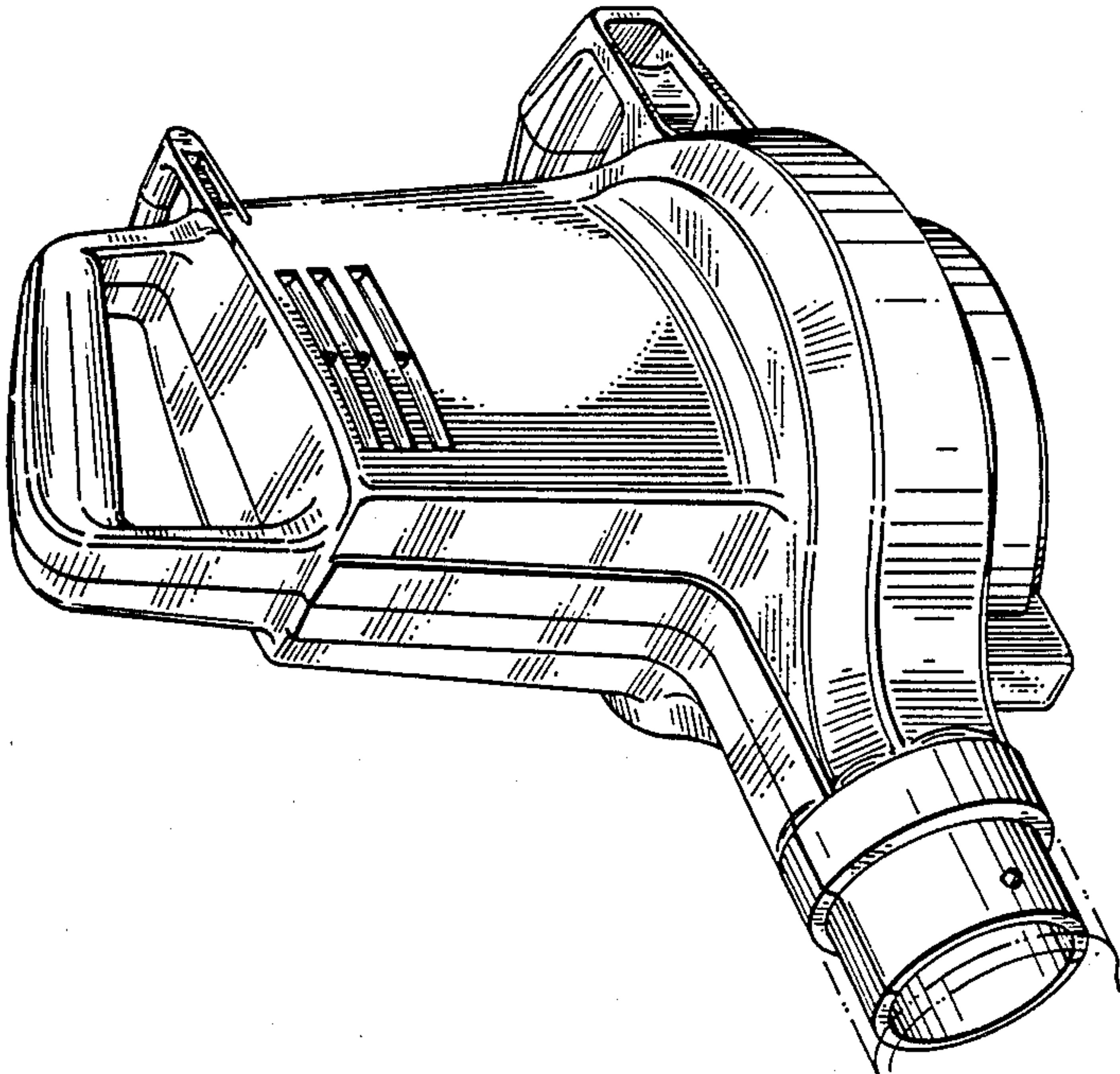


FIG. 1

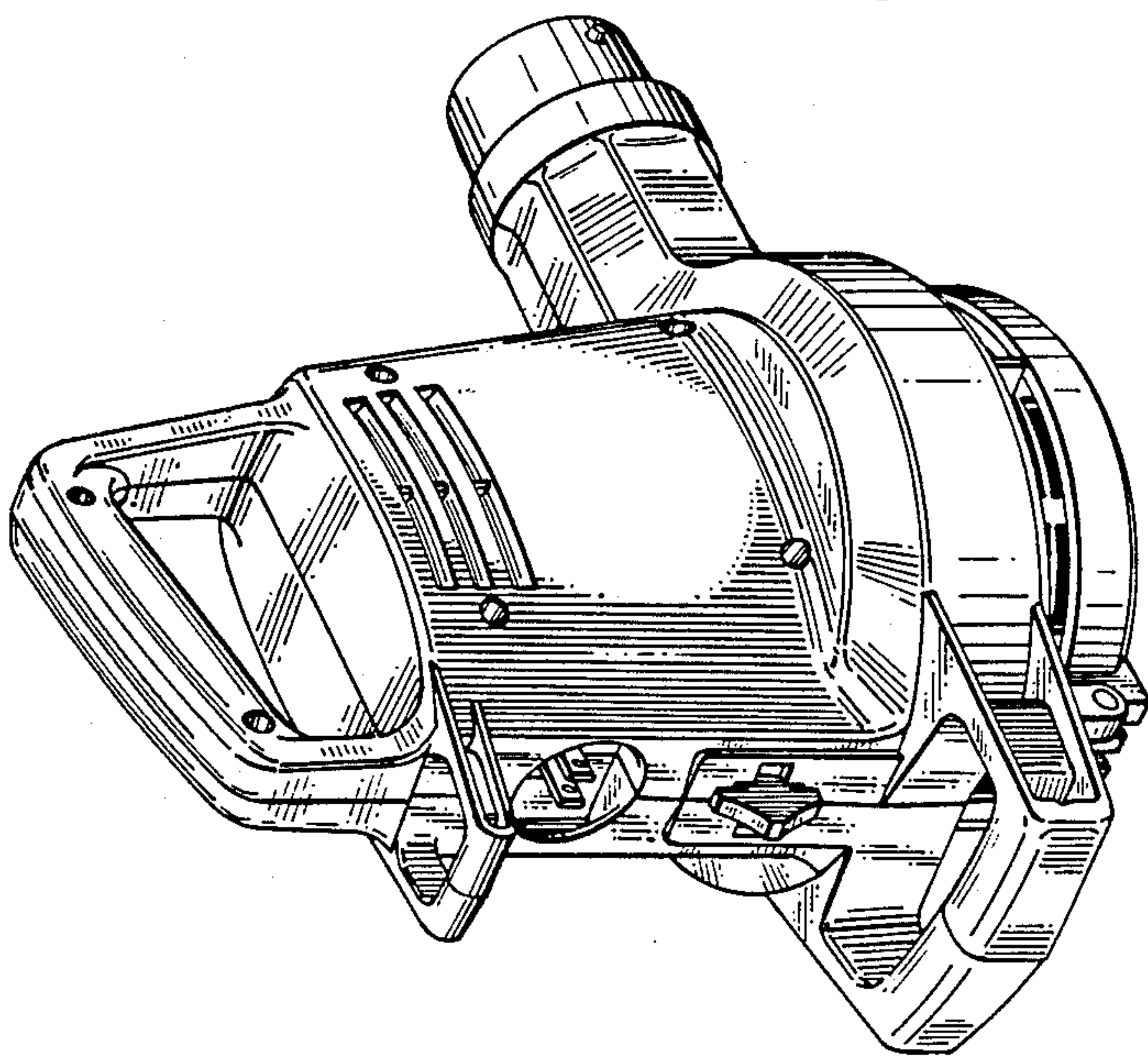
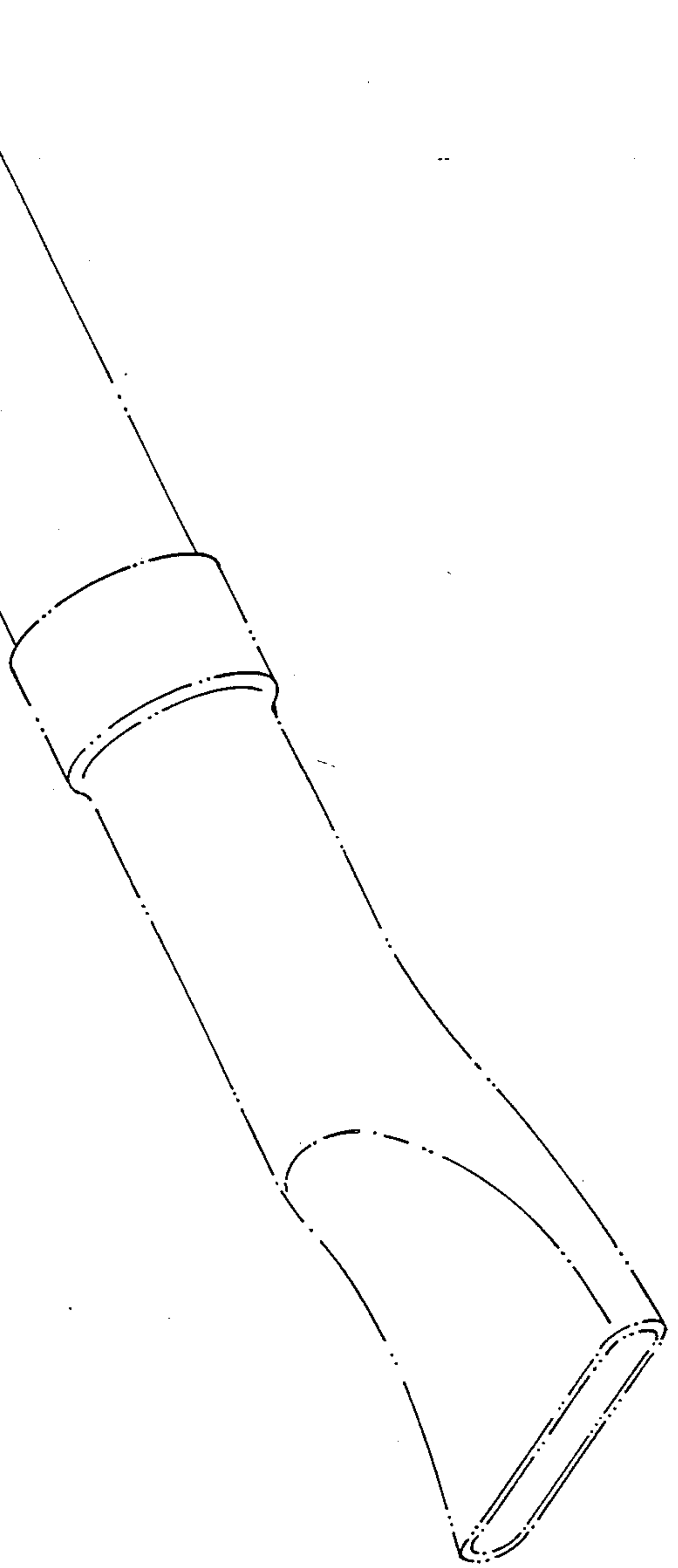


FIG. 2



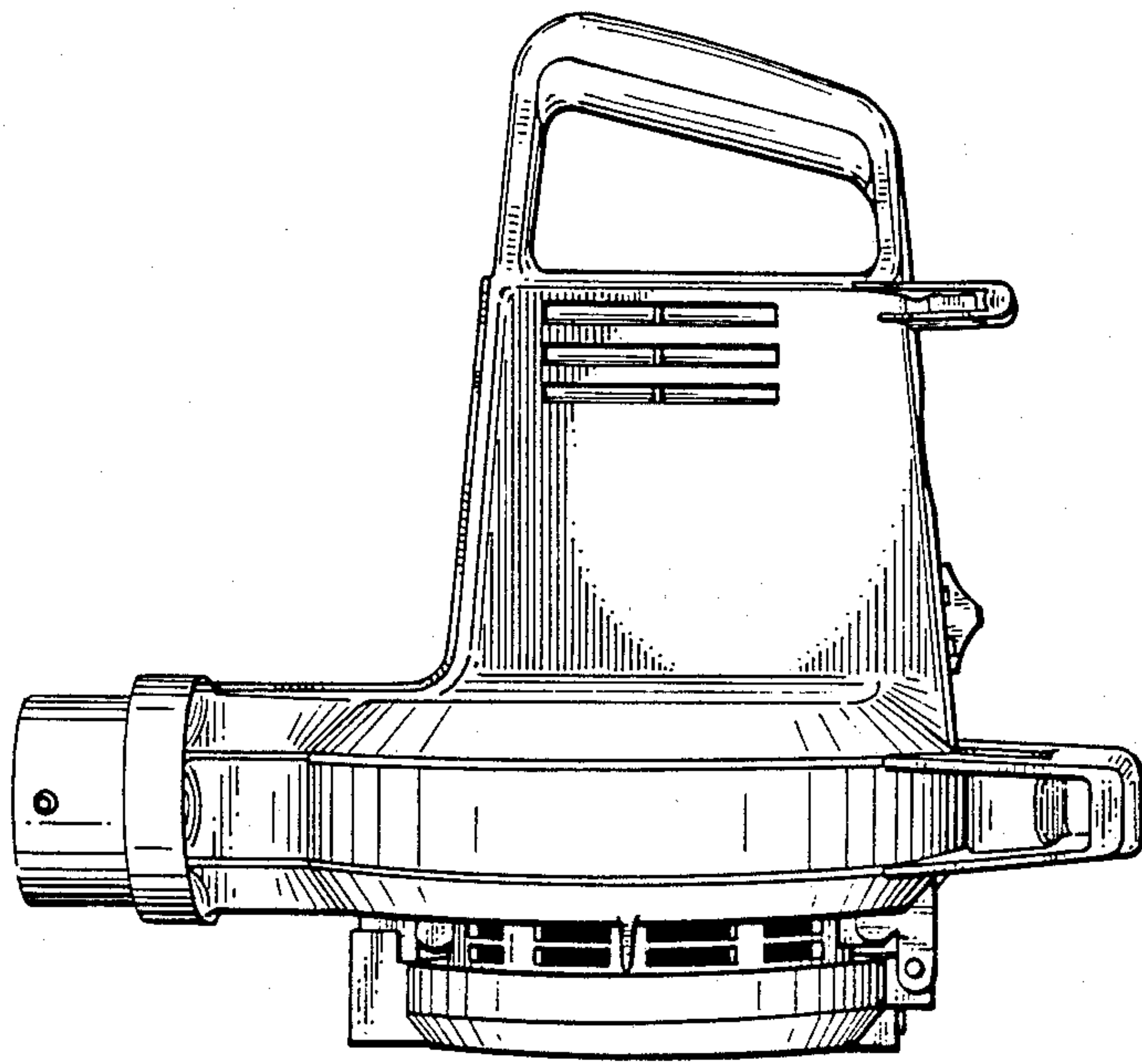


FIG. 3

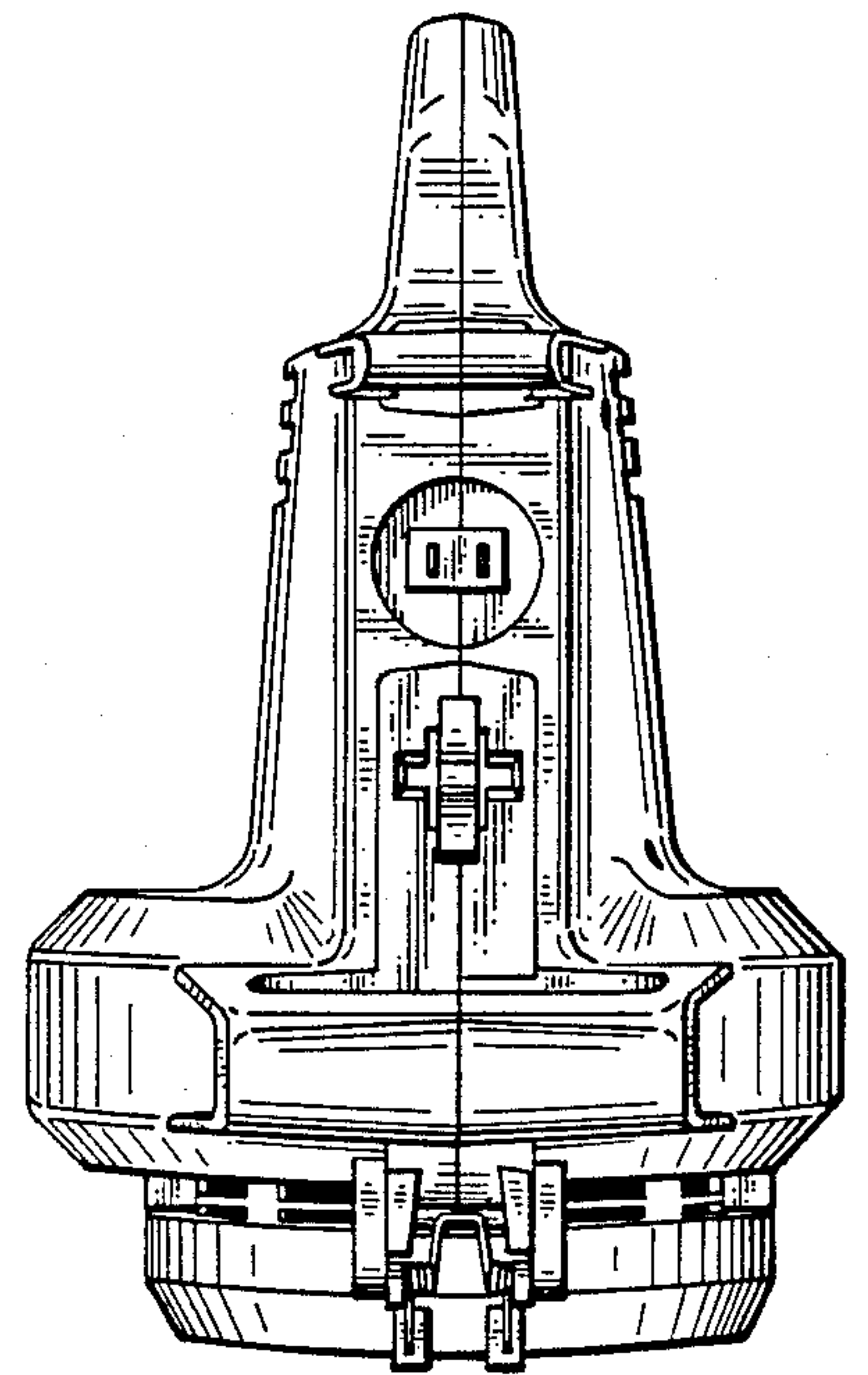


FIG. 4

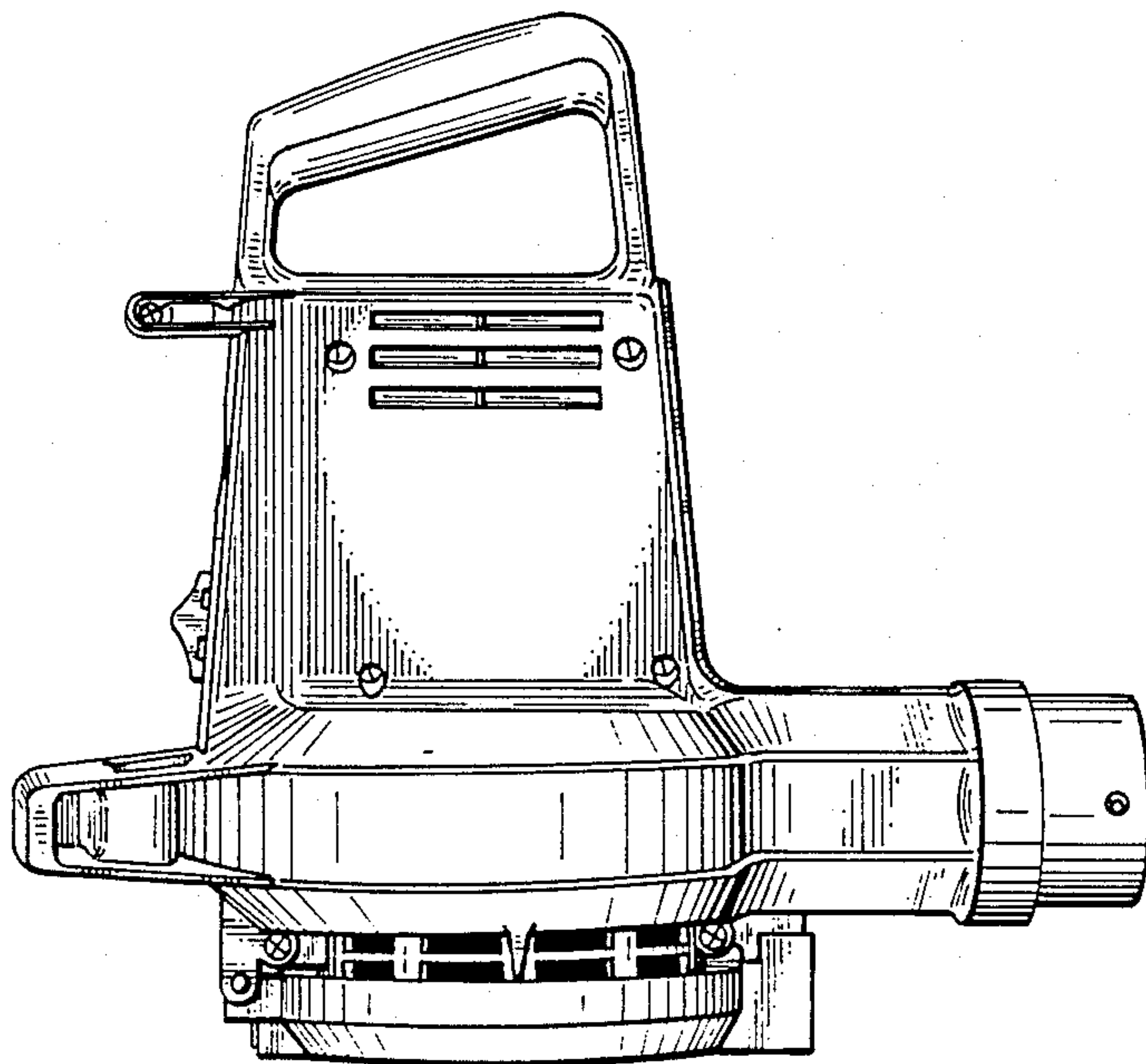


FIG. 5

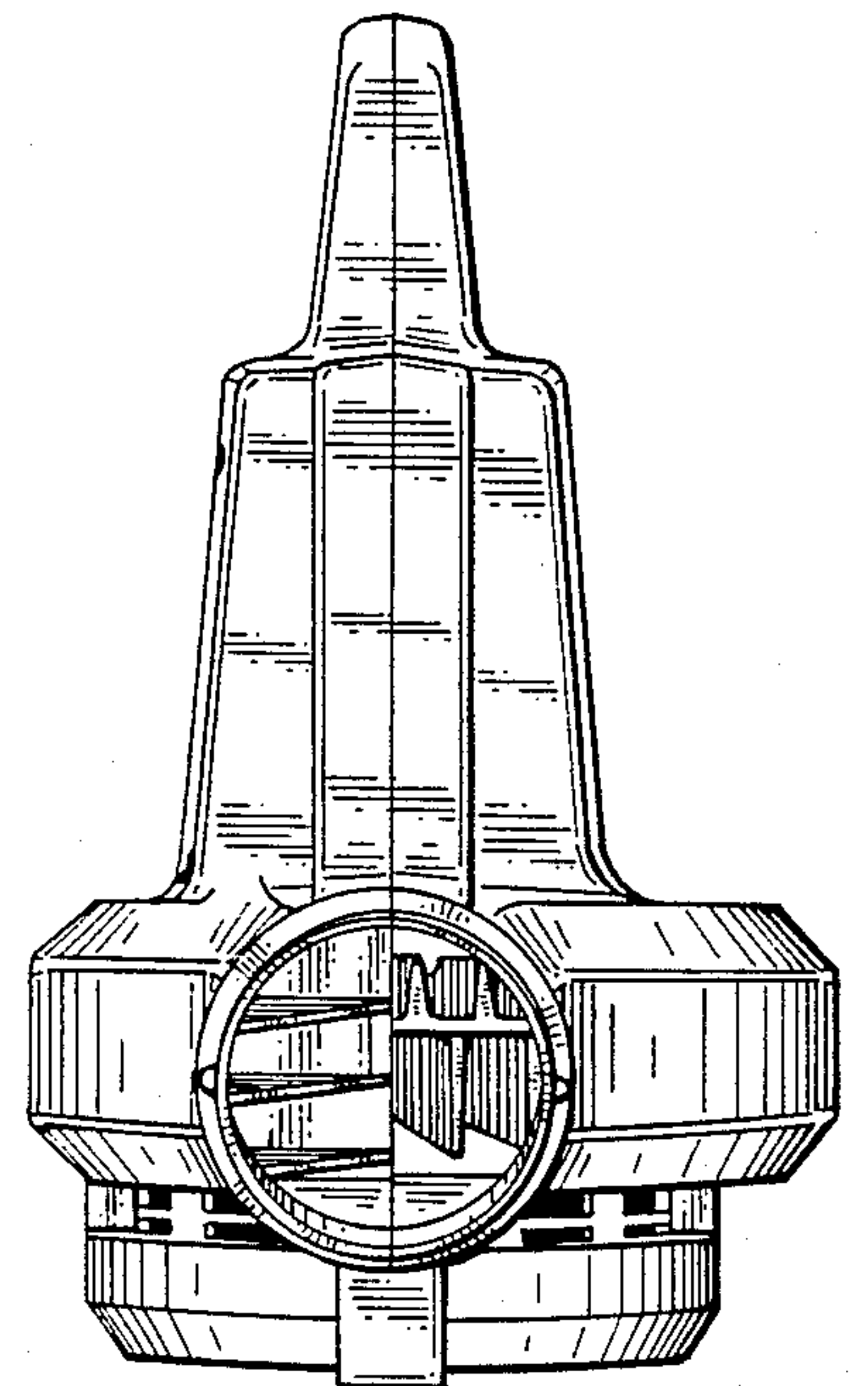


FIG. 6

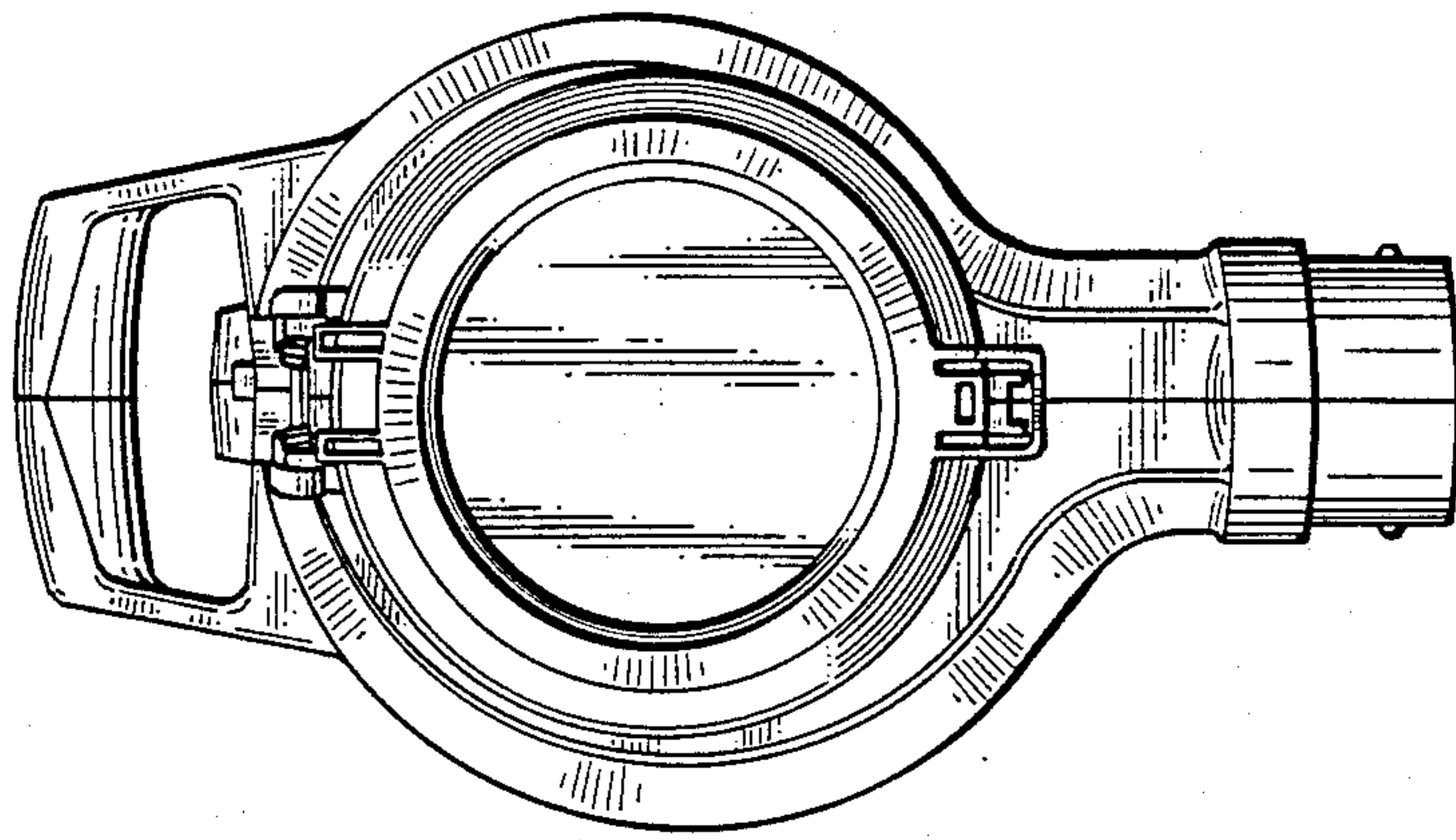


FIG. 8

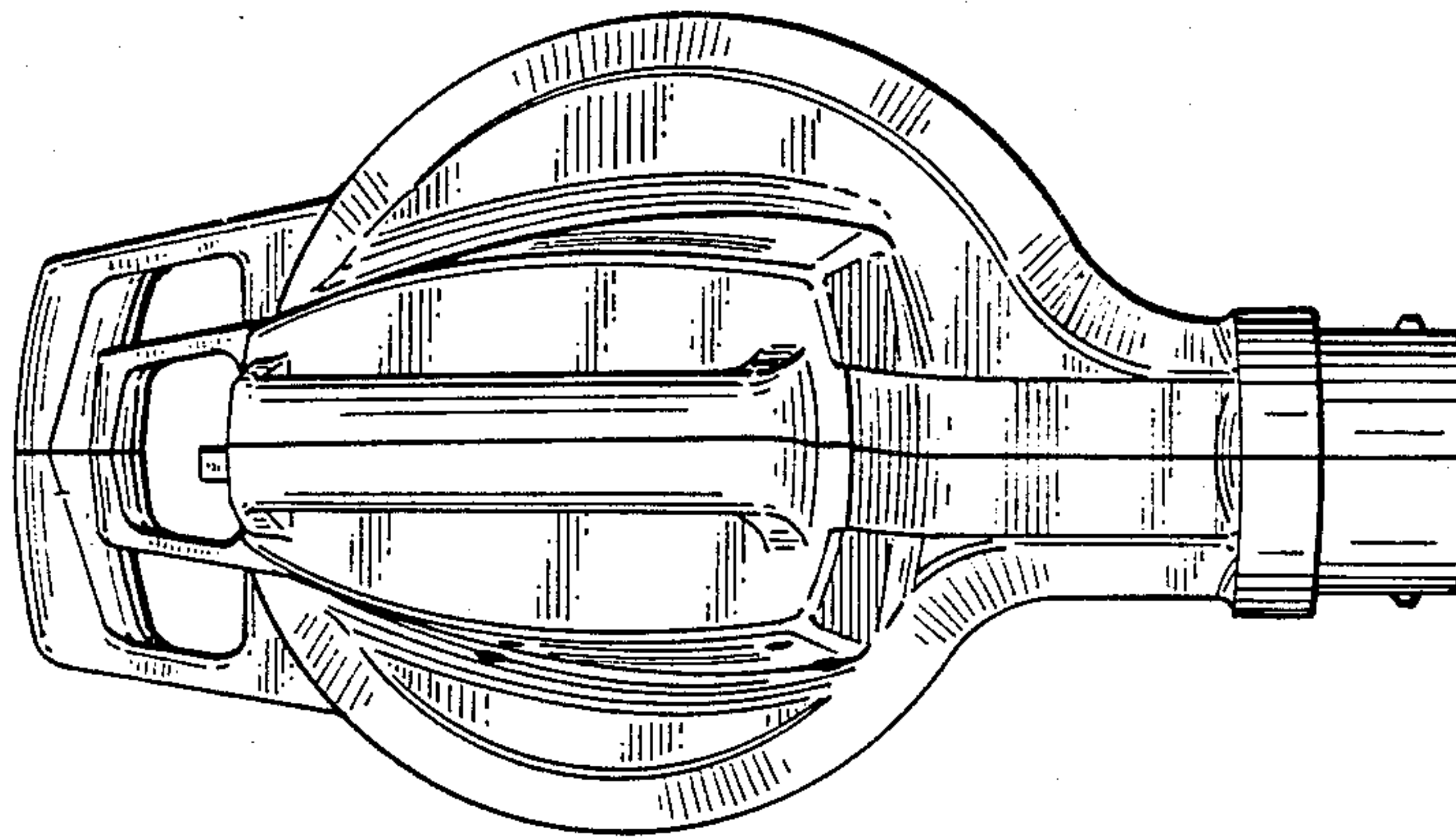


FIG. 7