

[54] UNDERWATER POOL CLEANING APPARATUS

3,430,277 3/1969 Ortega 15/1.7
4,434,050 2/1984 Selsted 210/169

[75] Inventors: Robert W. Maier, Kentfield; Charles J. Patterson, Orinda; Deiter Rief, Rohnert Park; John Gard, Mountain View; Herman E. Frentzel, Kentfield, all of Calif.

Primary Examiner—Wallace R. Burke
Assistant Examiner—Lavone D. Tabor
Attorney, Agent, or Firm—Limbach, Limbach & Sutton

[73] Assignee: Aquanaut, Inc., Corte Madera, Calif.

[57] CLAIM

[**] Term: 14 Years

The ornamental design for an underwater pool cleaning apparatus, as shown and described.

[21] Appl. No.: 914,749

DESCRIPTION

[22] Filed: Oct. 2, 1986

[52] U.S. Cl. D32/1; D32/23

[58] Field of Search D32/1, 17, 23, 35; 210/169, 242.1, 416.2, 407; 134/167 R; 15/1.7

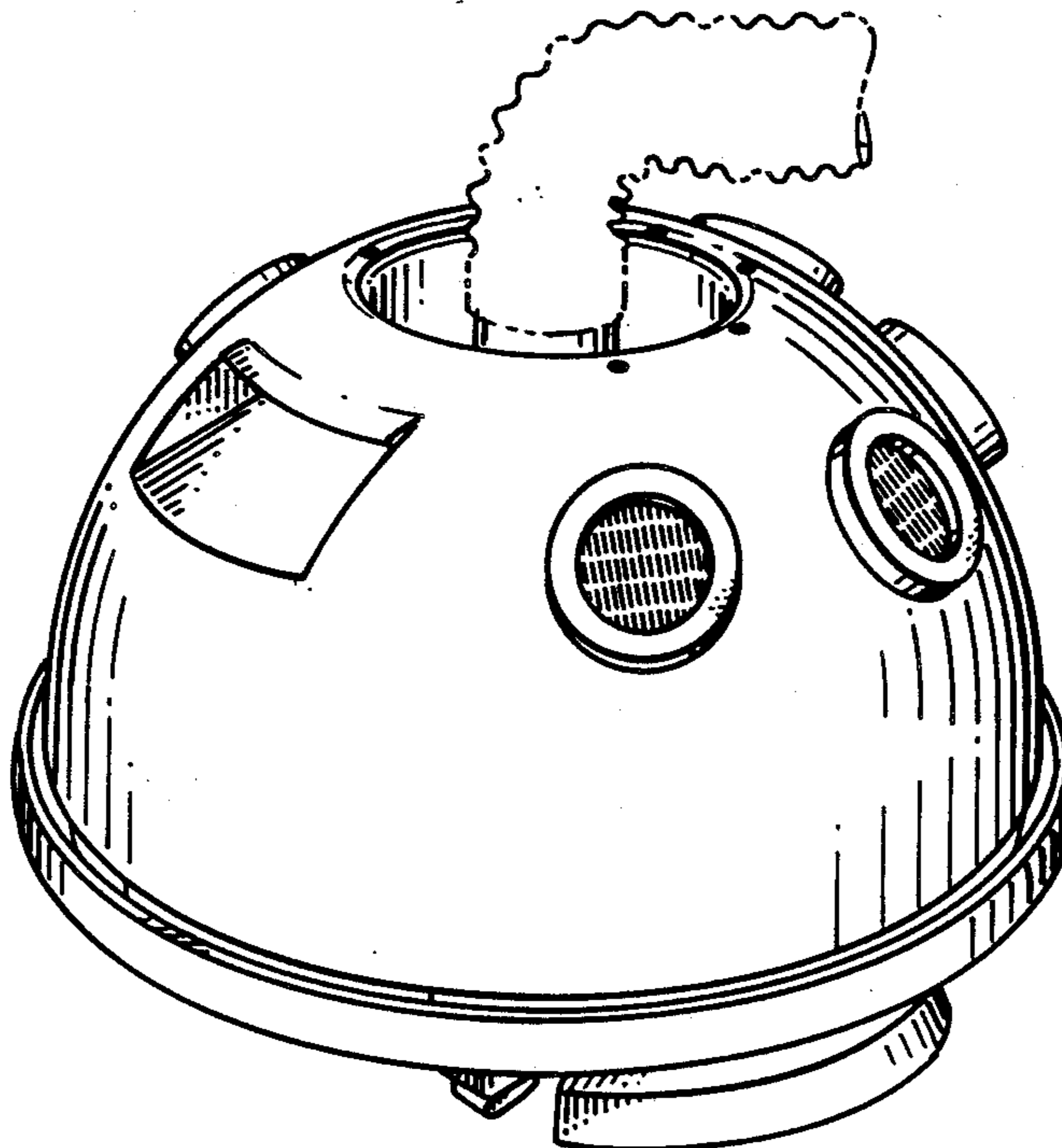
FIG. 1 is a perspective view of an underwater pool cleaning apparatus showing my new design; FIG. 2 is a top plan view thereof; FIG. 3 is a left side elevational view, the right side being identical in appearance thereof; FIG. 4 is a front elevational view thereof; FIG. 5 is a rear elevational view thereof; and, FIG. 6 is a bottom plan view thereof.

[56] References Cited

U.S. PATENT DOCUMENTS

3,422,478 1/1969 Osborne 15/1.7

The broken line showing of a suction base is for illustrative purposes only and forms no part of the claimed design.



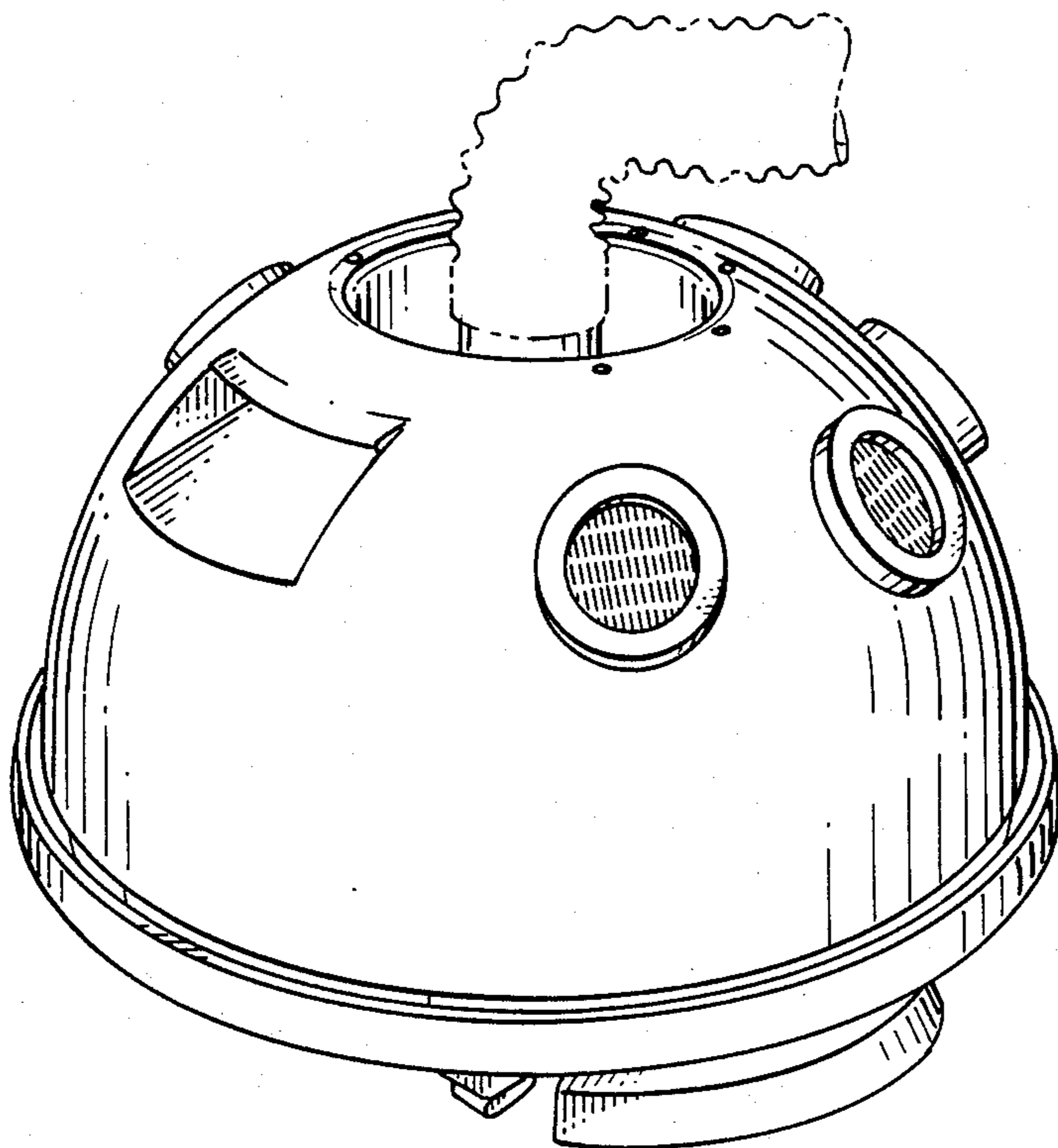


FIG. 1.

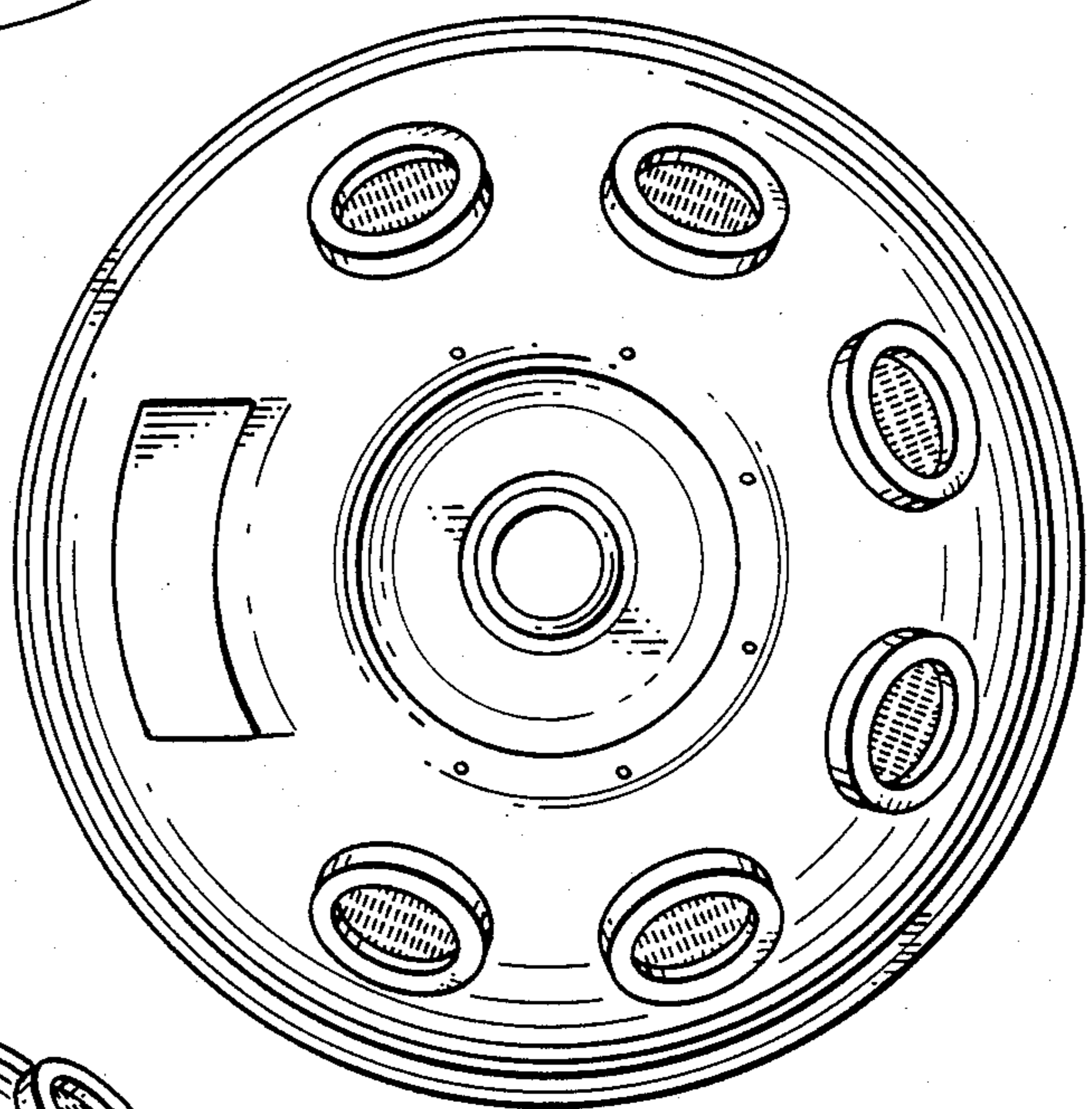


FIG. 2.

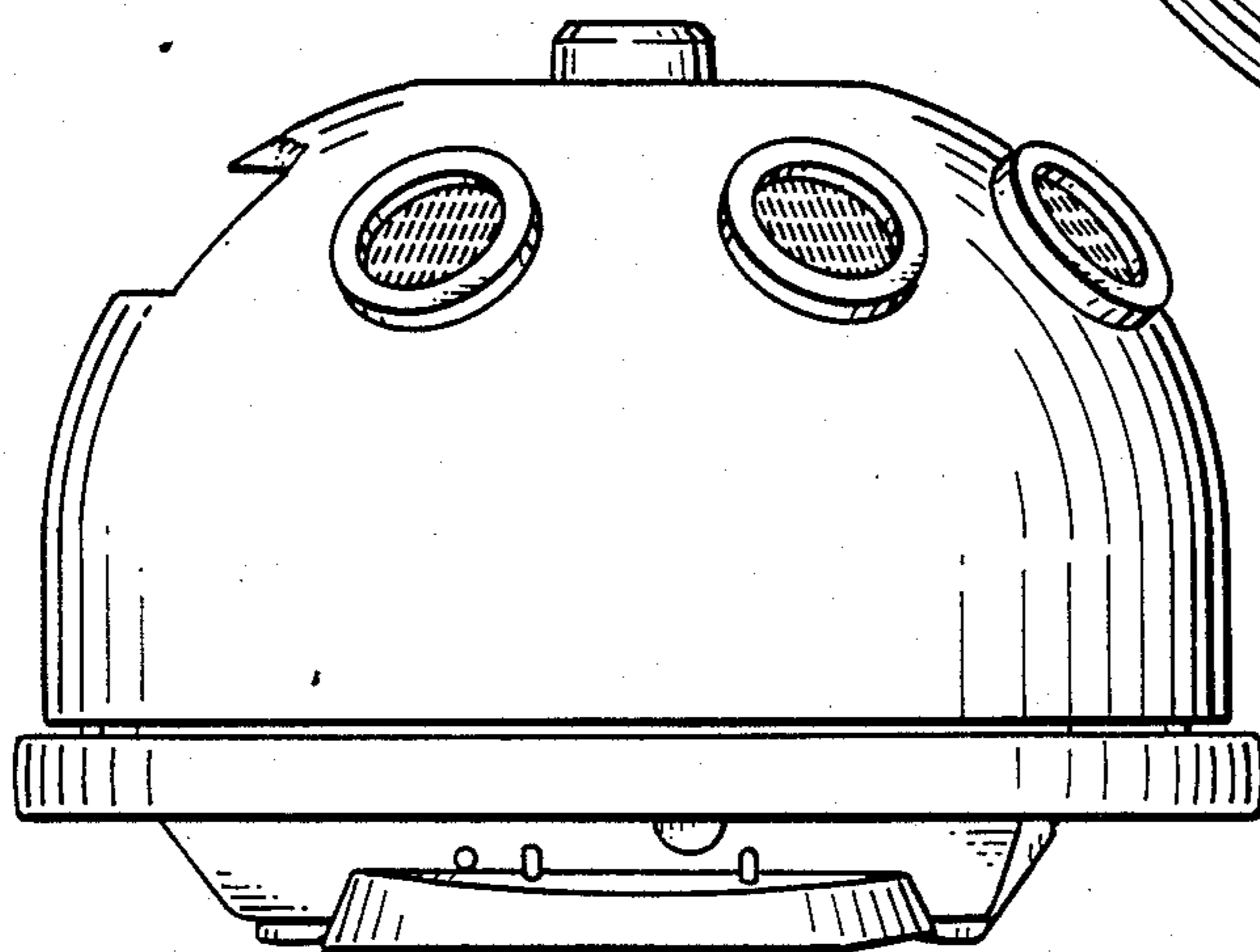


FIG. 3.

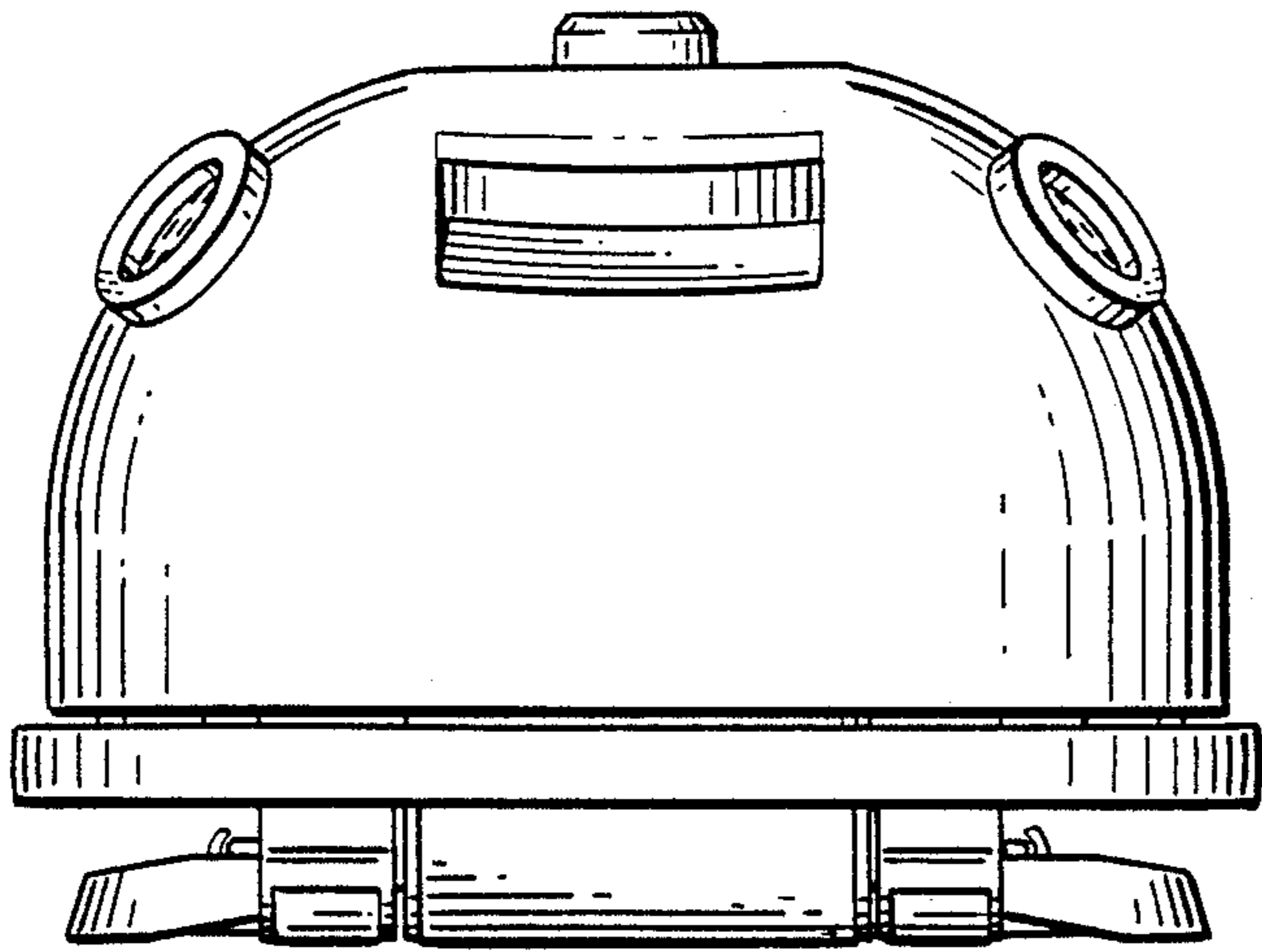


FIG. 4.

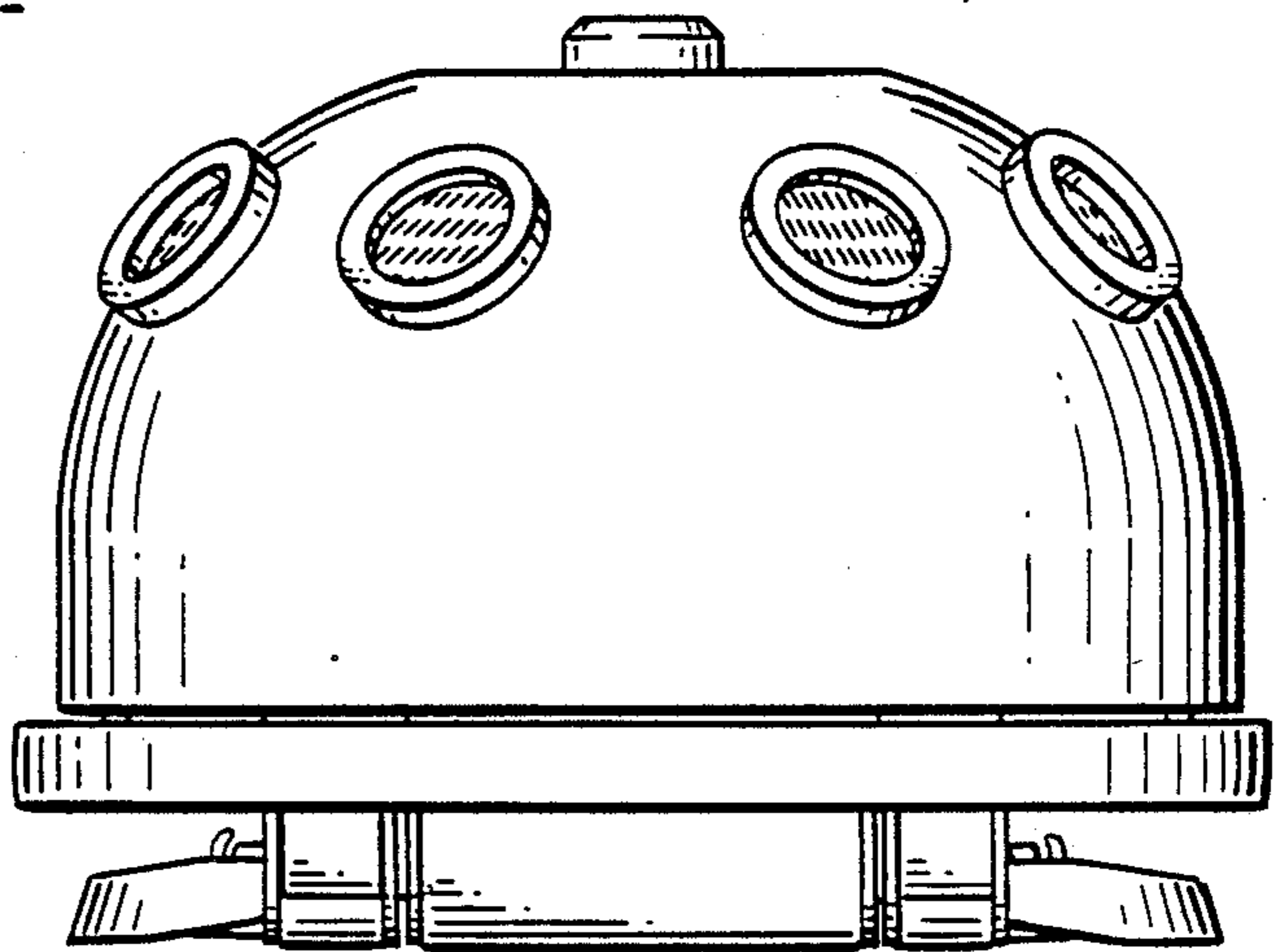


FIG. 5.

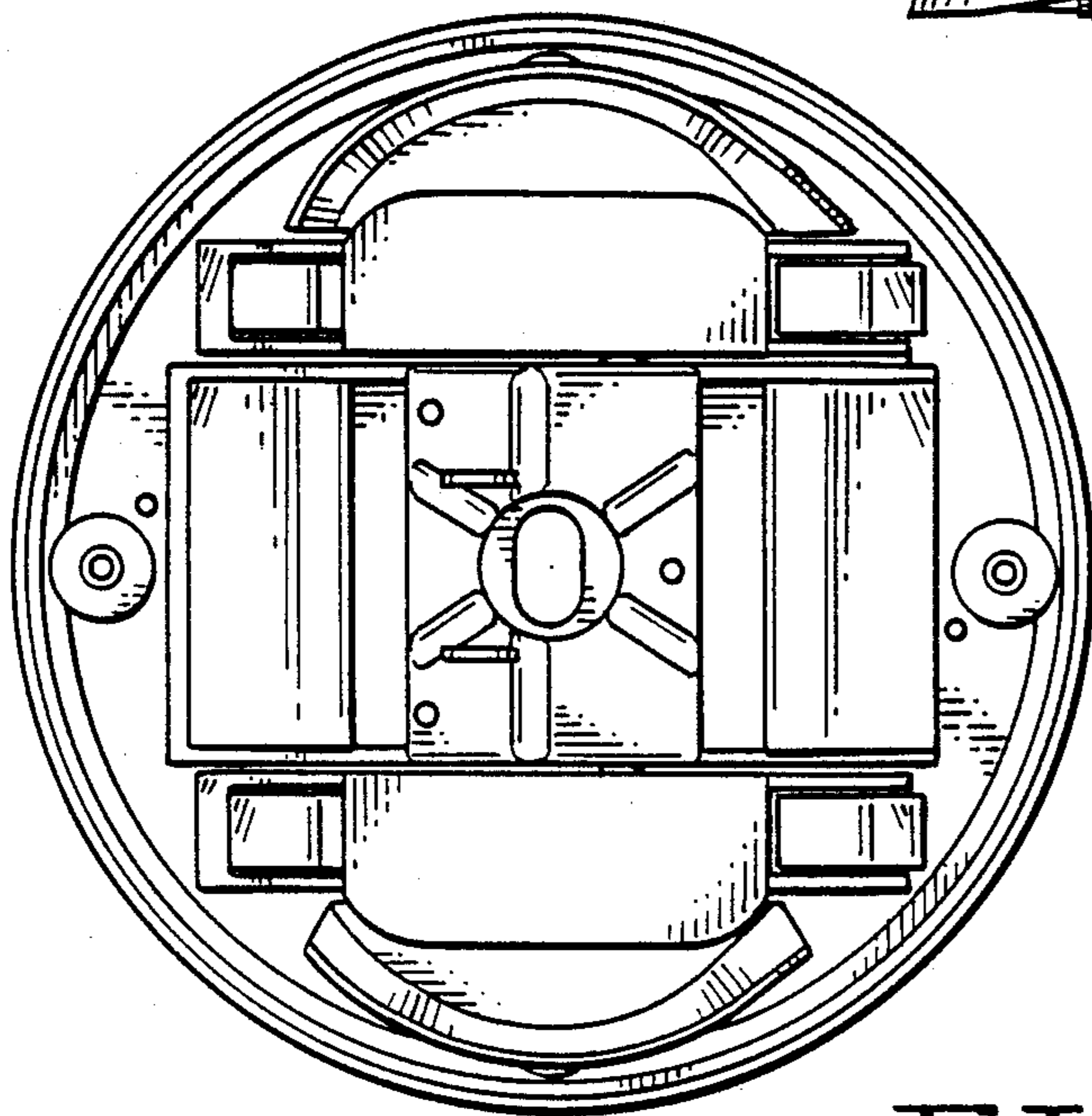


FIG. 6.

UNITED STATES PATENT AND TRADEMARK OFFICE
CERTIFICATE OF CORRECTION

PATENT NO. : Des. 304,505

DATED : November 7, 1989

INVENTOR(S): Robert W. Maier, Charles J. Patterson, Deiter Rief,
John Gard and Herman E. Frentzel

It is certified that error appears in the above - identified patent and that said Letters Patent is hereby corrected as shown below:

In the Description:

In the description, after the word suction please
replace "base" with --hose--.

**Signed and Sealed this
Twelfth Day of February, 1991**

Attest:

HARRY F. MANBECK, JR.

Attesting Officer

Commissioner of Patents and Trademarks