

[54] COMPACT FLUORESCENT LAMP

[75] Inventors: Albert Heidemann, Munich; Michael Kappler, Friedberg, both of Fed. Rep. of Germany

[73] Assignee: Osram GmbH, Munich, Fed. Rep. of Germany

[**] Term: 14 Years

[21] Appl. No.: 12,301

[22] Filed: Feb. 9, 1987

[30] Foreign Application Priority Data Aug. 20, 1986 [DE] Fed. Rep. of Germany DM/007379

[52] U.S. Cl. D26/3

[58] Field of Search D26/1, 2, 3; 313/315, 313/317, 318, 110, 113, 116, 491, 493, 567, 569, 25, 634; 315/56, 57, 58, 73

[56] References Cited

U.S. PATENT DOCUMENTS

D. 287,287	12/1986	Futatsugi et al.	D26/3
4,298,822	11/1981	Fukuda	313/318 X
4,495,443	1/1985	Cummings	313/493 X
4,665,341	5/1987	Imamura et al.	313/493
4,703,227	10/1987	Takeda et al.	313/634

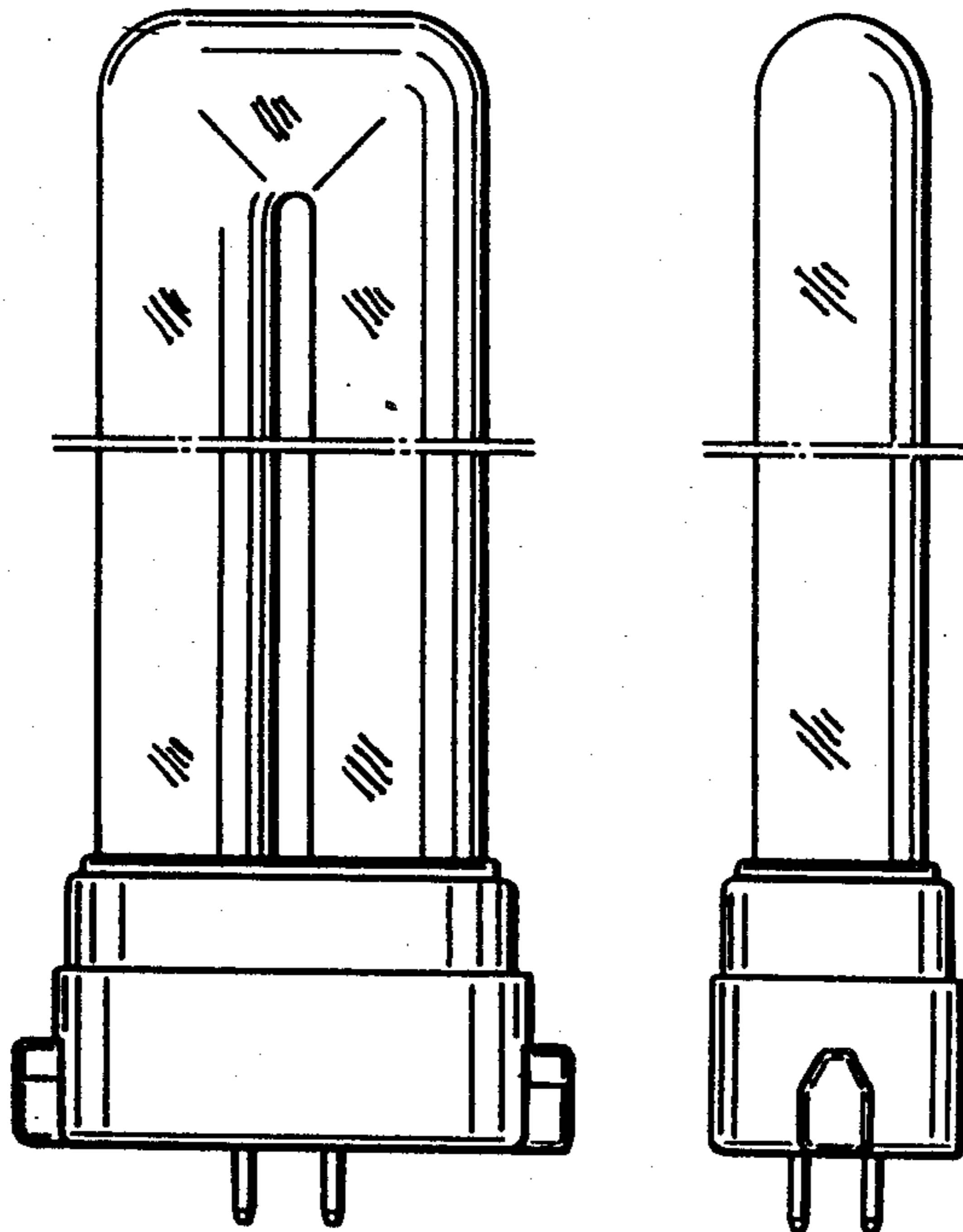
Primary Examiner—Susan J. Lucas
Attorney, Agent, or Firm—Frishauf, Holtz, Goodman & Woodward

[57] CLAIM

The ornamental design for a compact fluorescent lamp, as shown and described.

DESCRIPTION

FIG. 1 is a fragmentary bottom, front, and right side perspective view of a compact fluorescent lamp showing our new design;
FIG. 2 is a fragmentary front elevational view thereof, the rear being the mirror image;
FIG. 3 is a fragmentary right side elevational view thereof, the left side being the mirror image;
FIG. 4 is a bottom plan view thereof;
FIG. 5 is a top plan view thereof. The lamp is broken away to indicate indeterminate length.



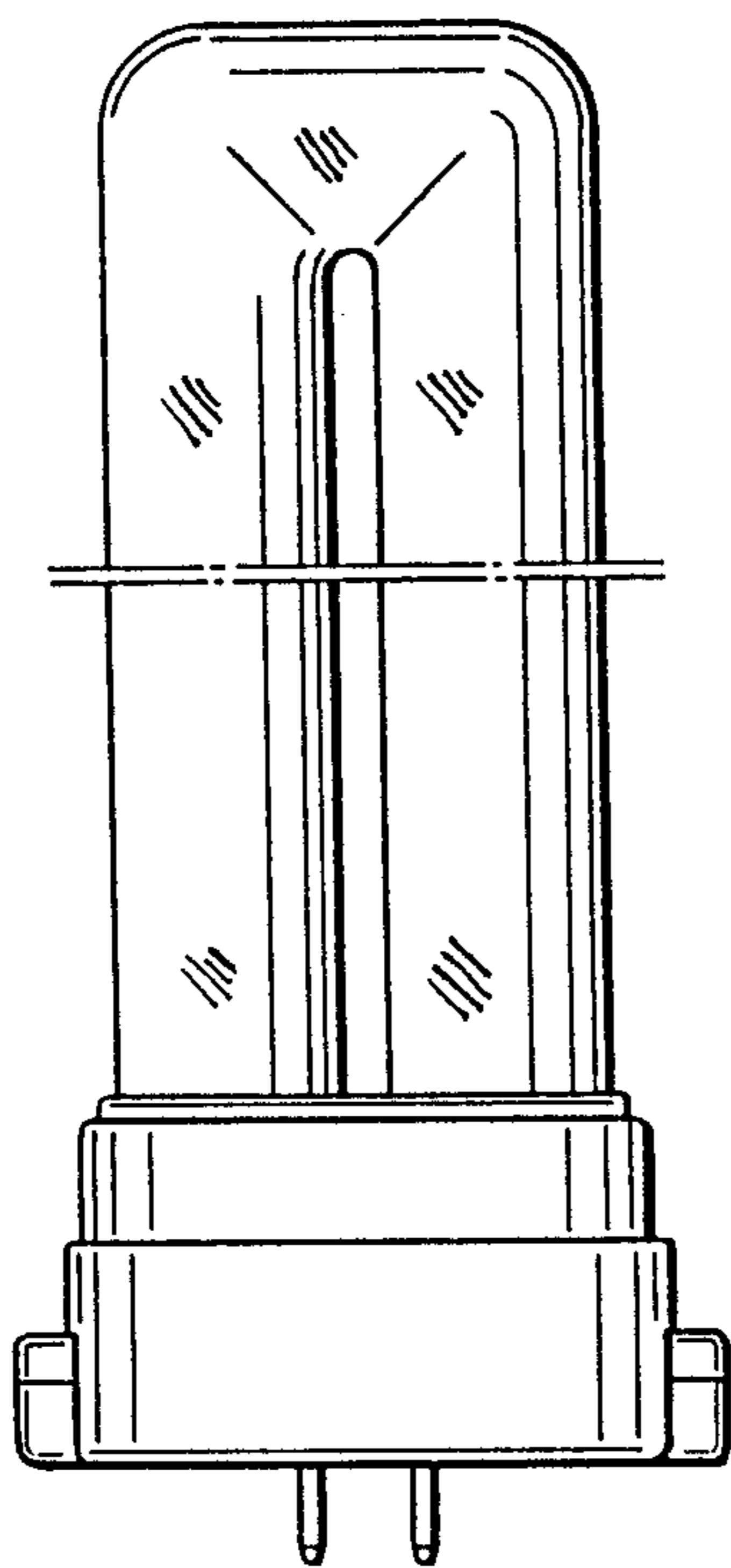
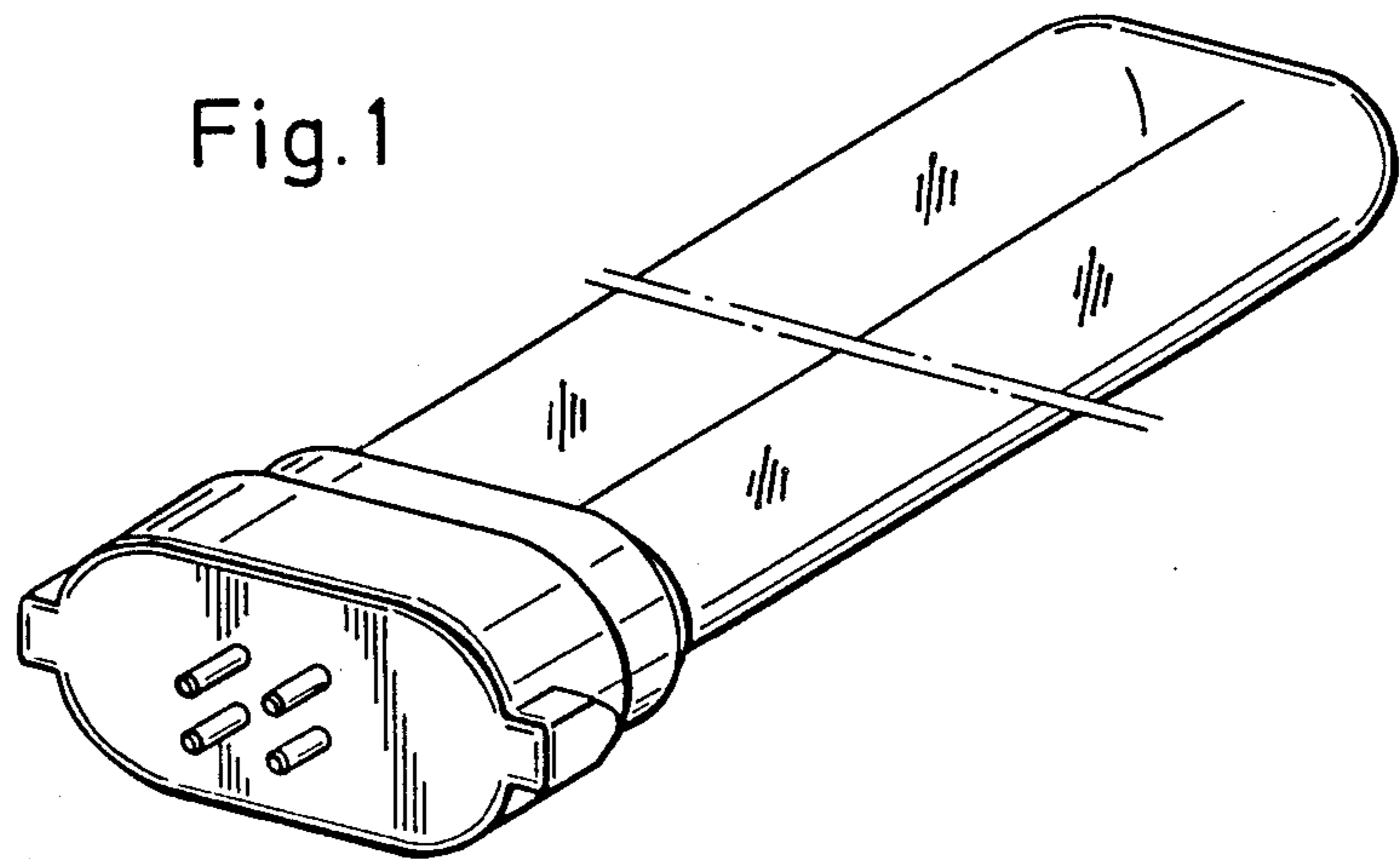


Fig. 2

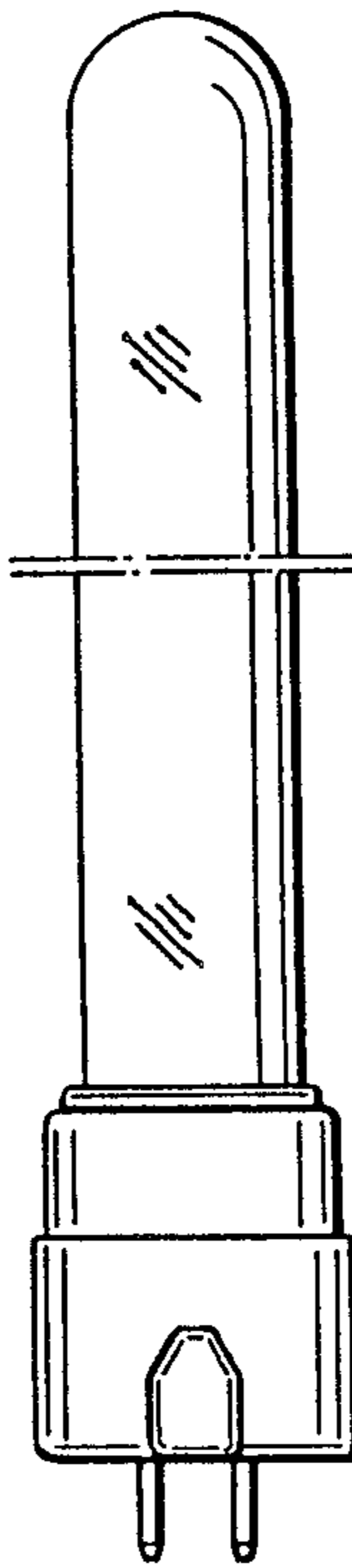


Fig. 3

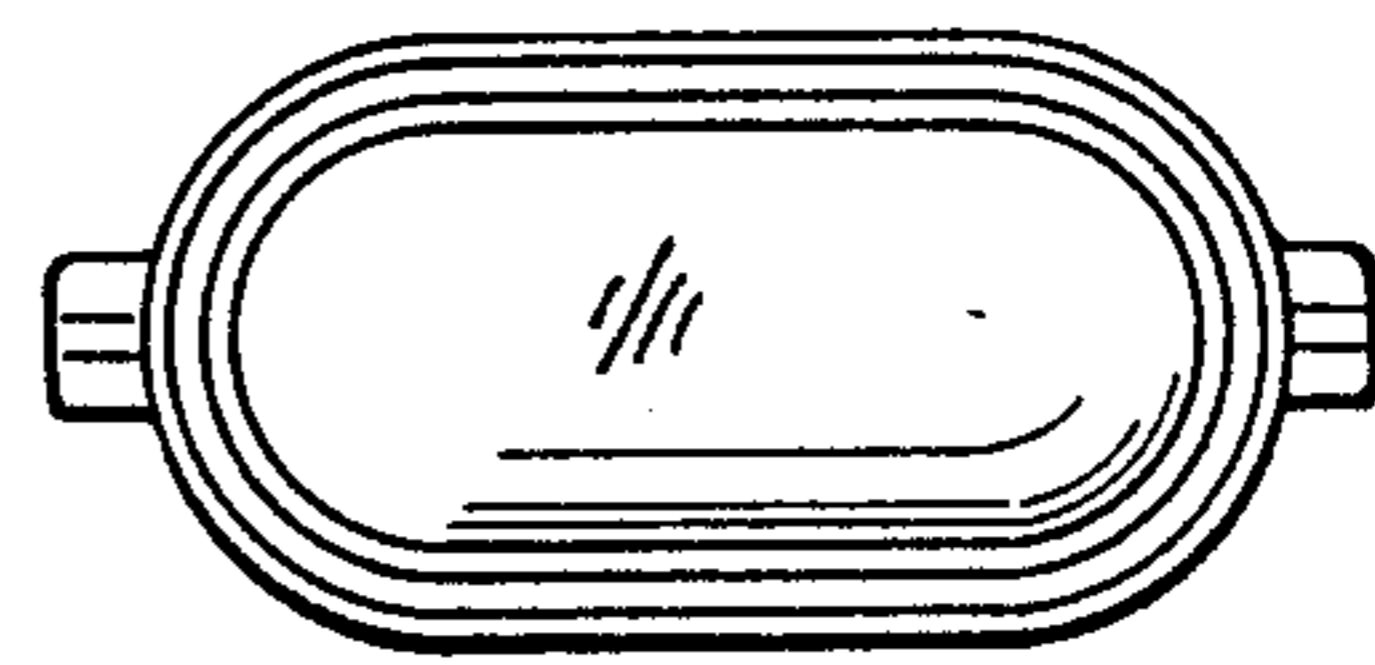
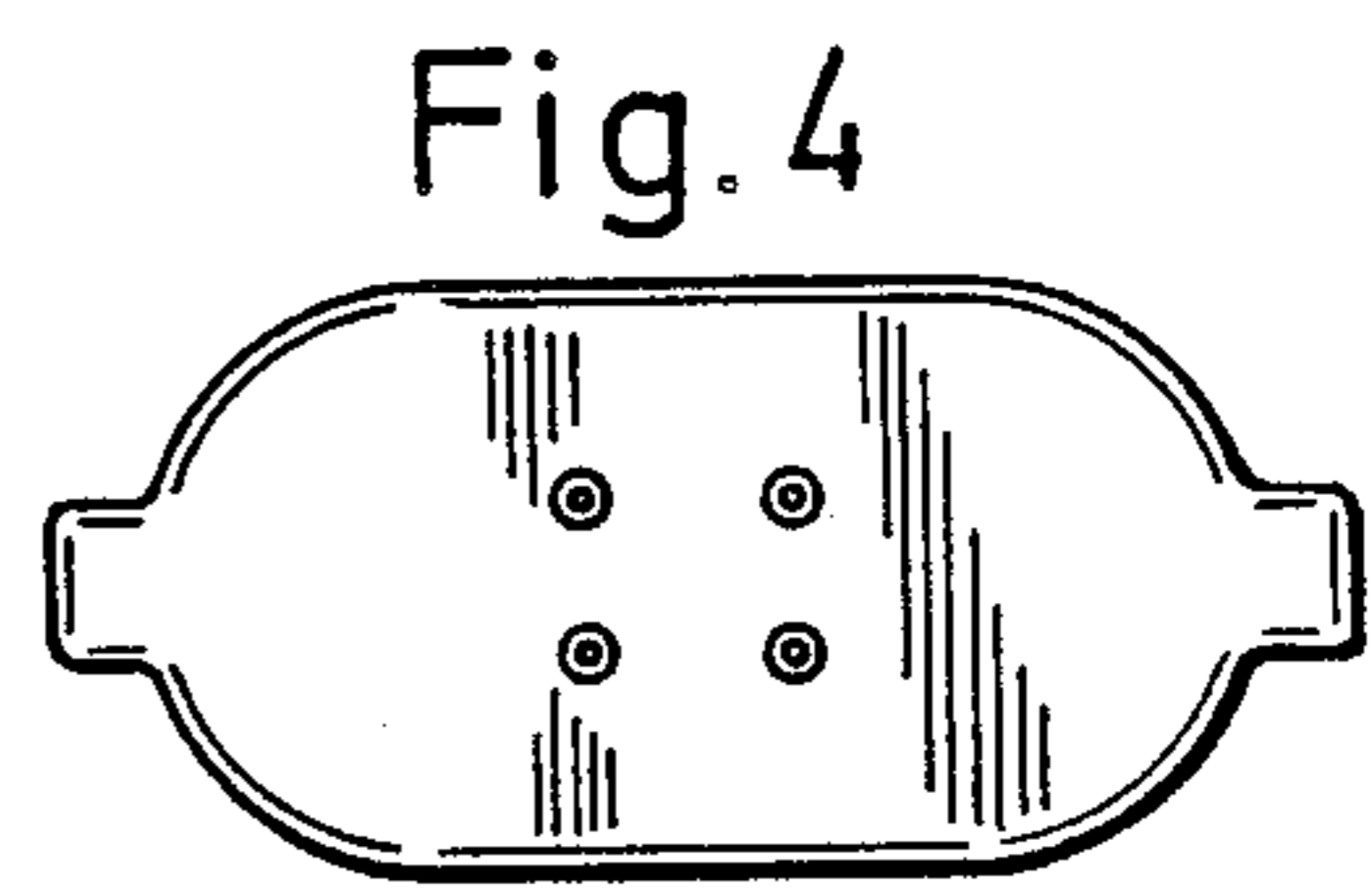


Fig. 5