

[54] WINDOW SHUTTER

4,481,734 11/1984 Vaida ..... 160/236

[75] Inventor: Kenneth W. Briggs, Sr., Rice, Tex.

Primary Examiner—A. Hugo Word

[73] Assignee: Rushman Draperies, Inc., Dallas, Tex.

Assistant Examiner—Doris Clark

Attorney, Agent, or Firm—Ross, Howison, Clapp & Korn

[\*\*] Term: 14 Years

[57] CLAIM

[21] Appl. No.: 57,854

The ornamental design for a window shutter, as shown.

[22] Filed: Jun. 4, 1987

DESCRIPTION

[52] U.S. Cl. .... D25/47

[58] Field of Search ..... D25/47, 52, 58, 156; 160/104, 236, 136; 52/311, 314, 585, 206, 204, 473, 663, 666, 456; 49/388, 166.1, 34, 501, 74

FIG. 1 is a front perspective view of a window shutter embodying my new design with the louvers in open position;

FIG. 2 is a side elevational view thereof;

FIG. 3 is a rear perspective view of the shutter shown in FIG. 1;

FIG. 4 is a top plan view thereof;

FIG. 5 is a front elevational view thereof;

FIG. 6 is a rear elevational view thereof;

FIG. 7 is a bottom plan view of the shutter shown in FIG. 1;

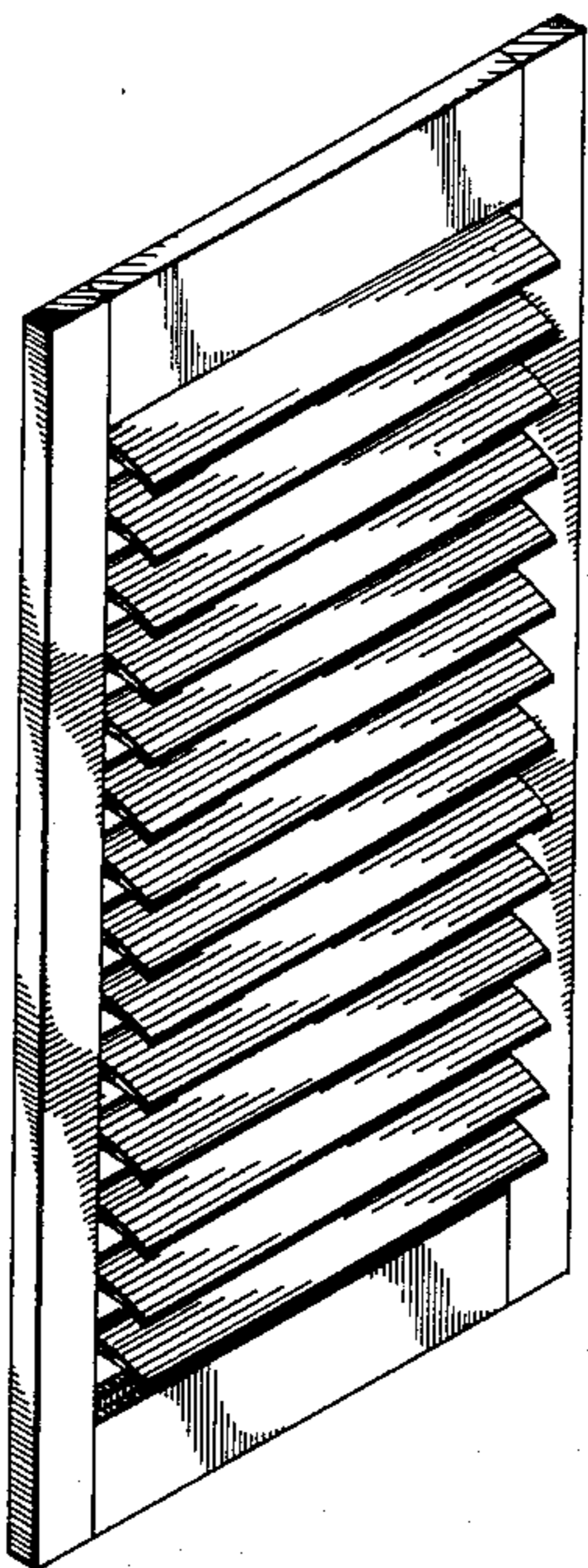
FIG. 8 is a fragmentary view thereof taken on line 8—8 of FIG. 5;

FIG. 9 is a view similar to FIG. 2, but showing the louvers closed.

[56] References Cited

U.S. PATENT DOCUMENTS

D. 194,376	1/1963	Jacobs	.....	D25/156
652,558	6/1900	Hickok	.....	D25/47
2,718,485	9/1955	Samuely	.....	156/634
2,745,150	5/1956	Warns	.....	52/473
2,761,185	9/1956	Sherwood	.....	49/74
2,832,381	4/1986	Sherwood	.....	29/240
3,059,291	10/1962	Sherwood	.....	49/371
3,120,024	2/1964	Sherwood	.....	16/389
3,991,518	11/1976	Ishihara	.....	160/236



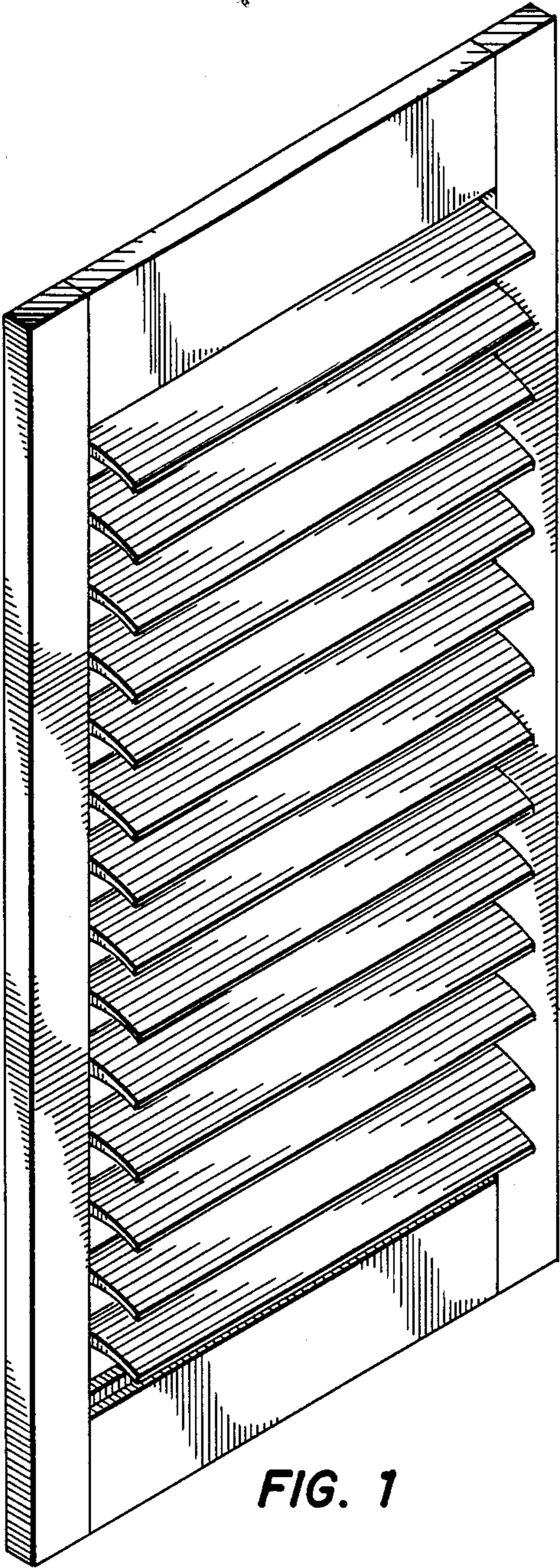


FIG. 1

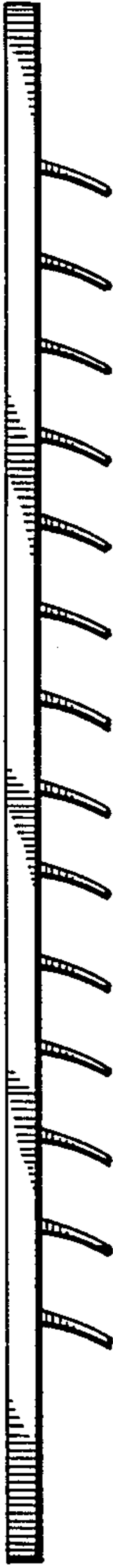


FIG. 2

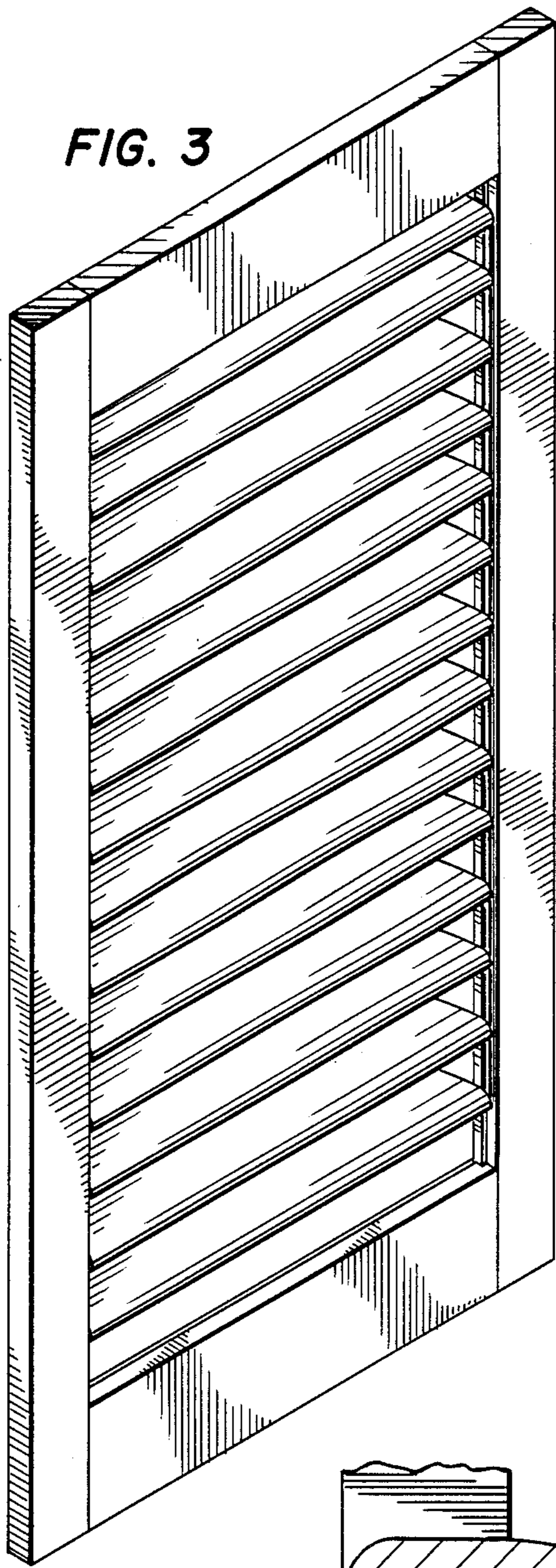


FIG. 3

FIG. 9

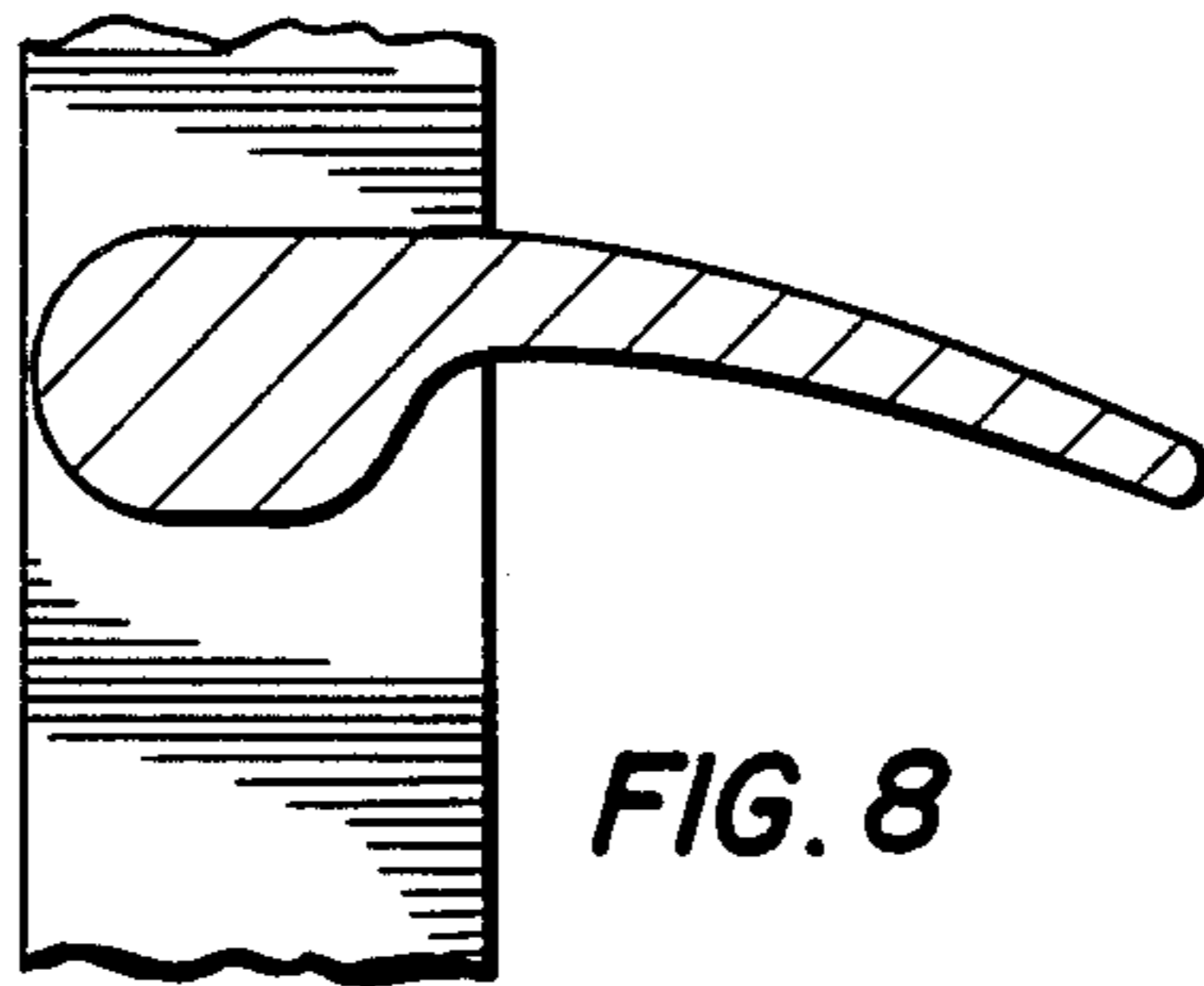


FIG. 8

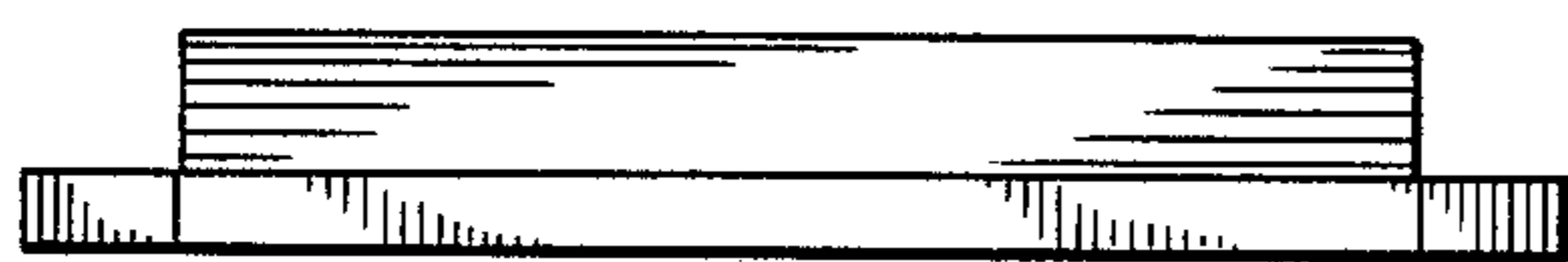


FIG. 4

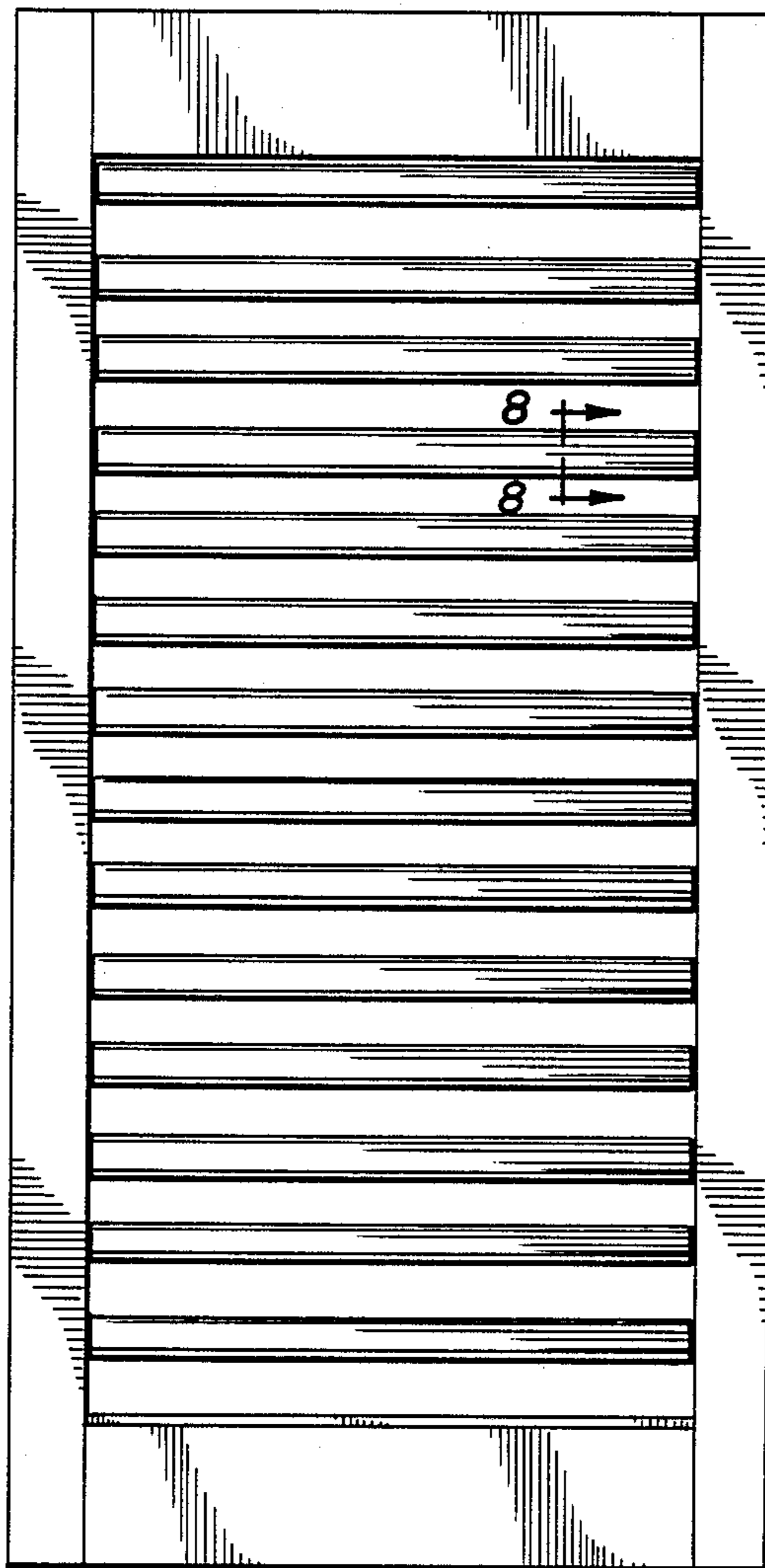


FIG. 5

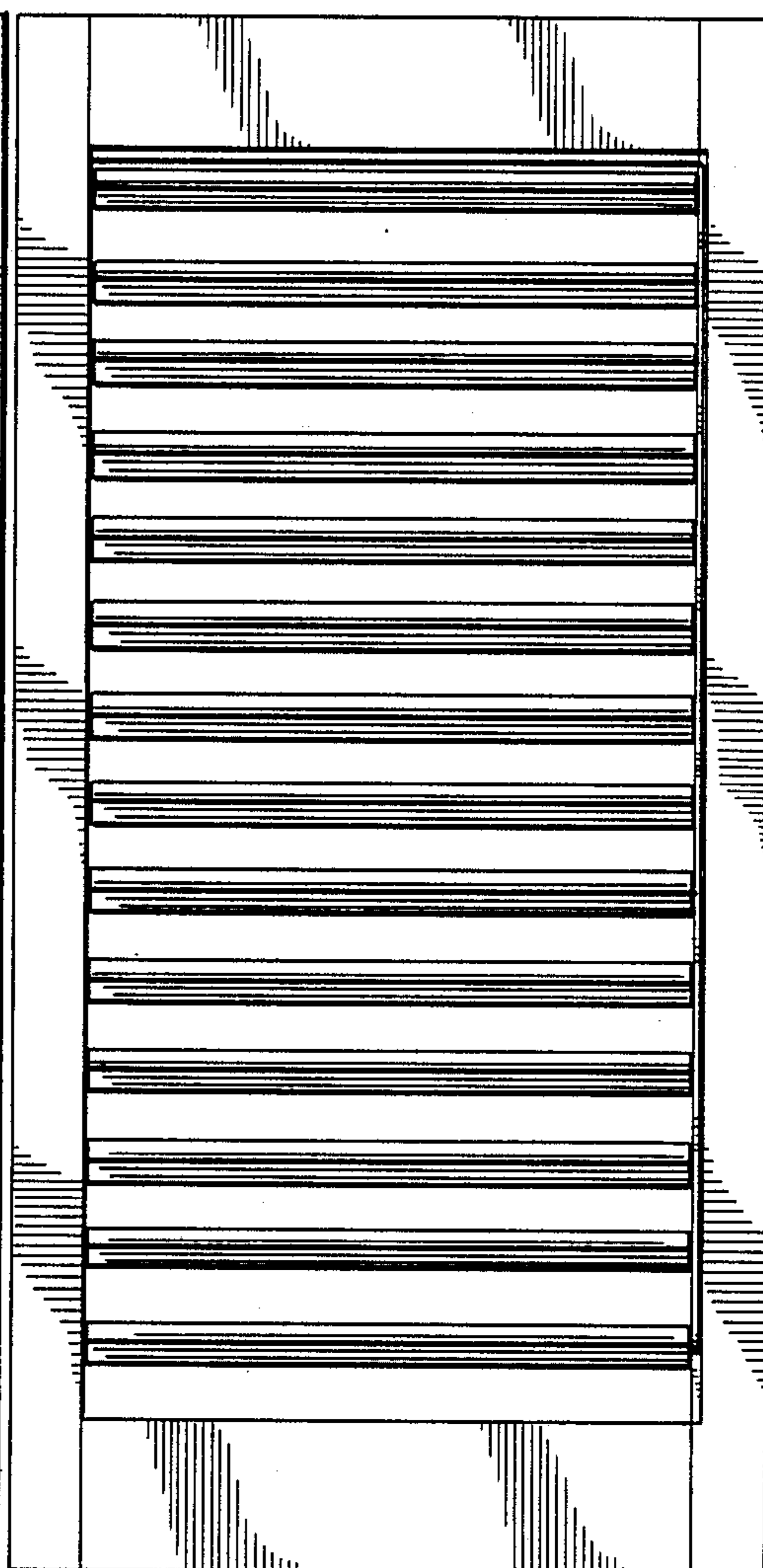


FIG. 6

FIG. 7

