

[54] LARYNGOSCOPE

[75] Inventors: Frederic P. Rosenwald, Churchville; Andrew J. Furey, Philadelphia, both of Pa.

[73] Assignee: Pilling Company, Fort Washington, Pa.

[**] Term: 14 Years

[21] Appl. No.: 62,045

[22] Filed: Jun. 11, 1987

[52] U.S. Cl. D24/18

[58] Field of Search D24/18; 128/11, 10, 128/12, 13, 7, 9

[56] References Cited

U.S. PATENT DOCUMENTS

4,425,909	1/1984	Rieser	128/11 X
4,574,784	3/1986	Soloway	128/11
4,583,527	4/1986	Musicant et al.	128/11

OTHER PUBLICATIONS

Pilling Catalog, "Laryngo-Bronchoesophagology", 1975, pp. 12-26B.

Pilling Catalog of "Cardiovascular, Thoracic and General Surgical Instruments", 1979, p. 301.

Primary Examiner—Wallace R. Burke

Assistant Examiner—Stella M. Reid

Attorney, Agent, or Firm—Howson & Howson

[57] CLAIM

The ornamental design for a laryngoscope, as shown and described.

DESCRIPTION

FIG. 1 is a perspective view of a laryngoscope showing our new design;

FIG. 2 is a left side elevational thereof;

FIG. 3 is a right side elevational thereof;

FIG. 4 is a rear elevational thereof;

FIG. 5 is a front elevational thereof;

FIG. 6 is a top plan view thereof;

FIG. 7 is a bottom plan view thereof.

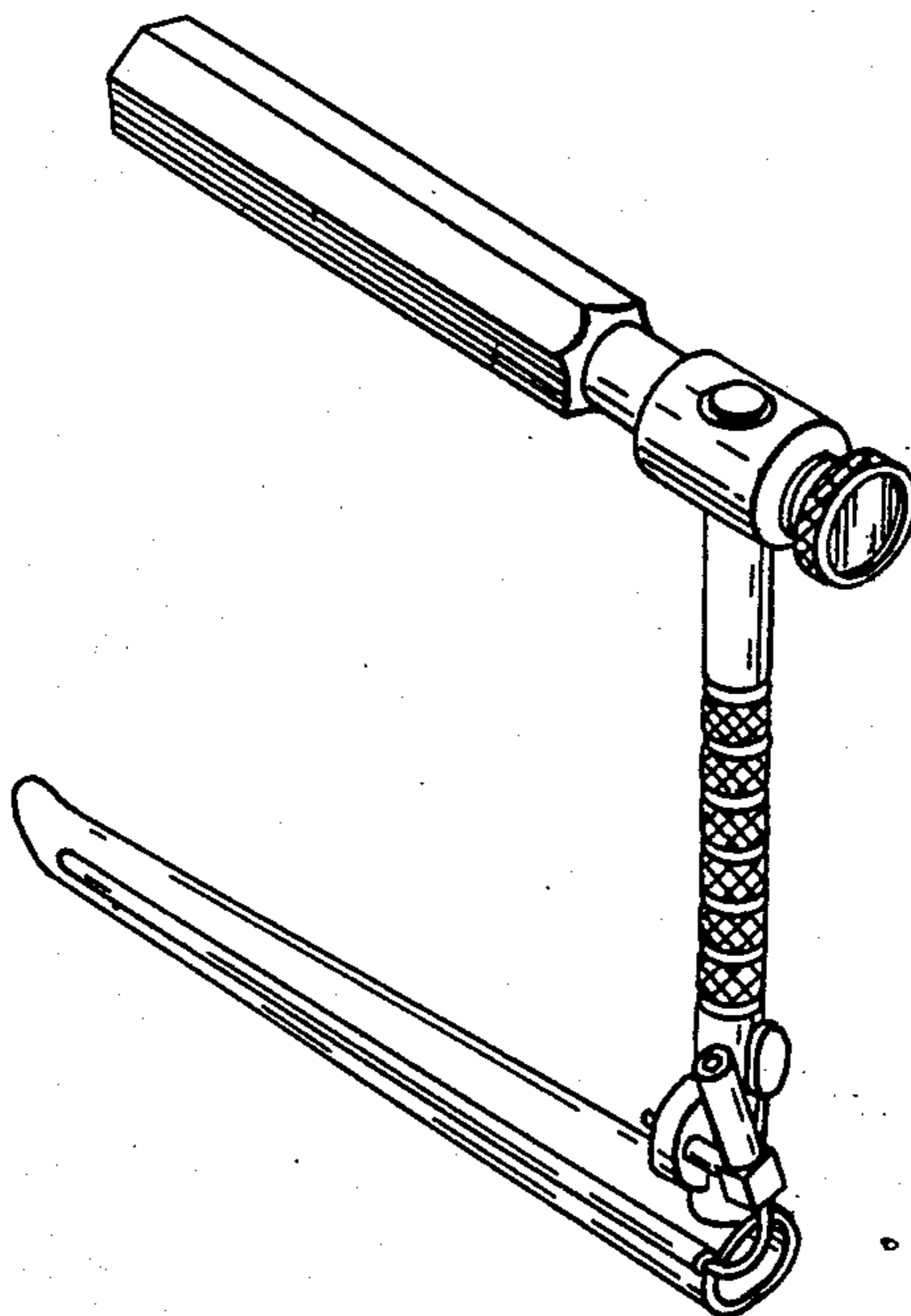


FIG. 1

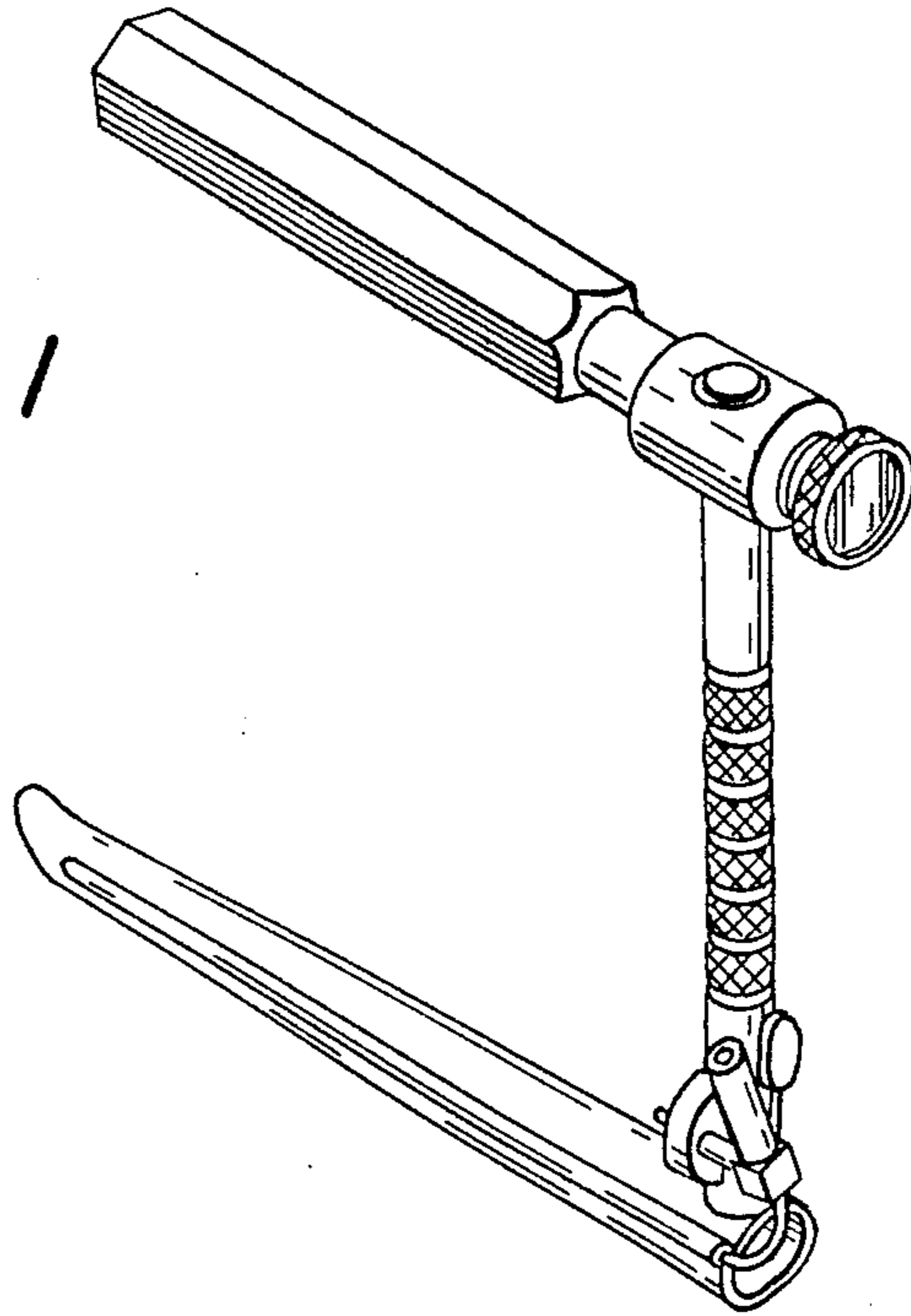


FIG. 2

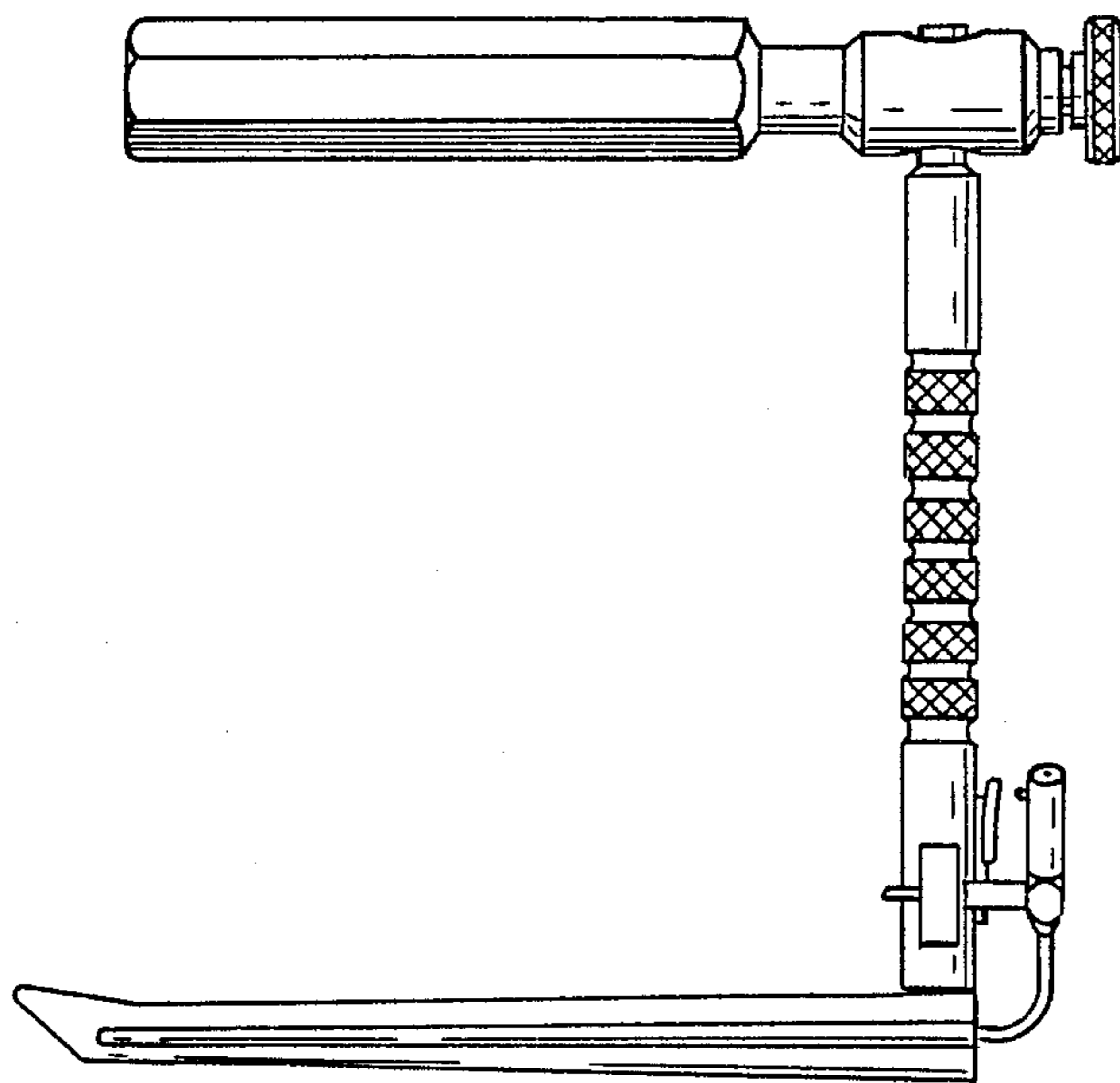


FIG. 4

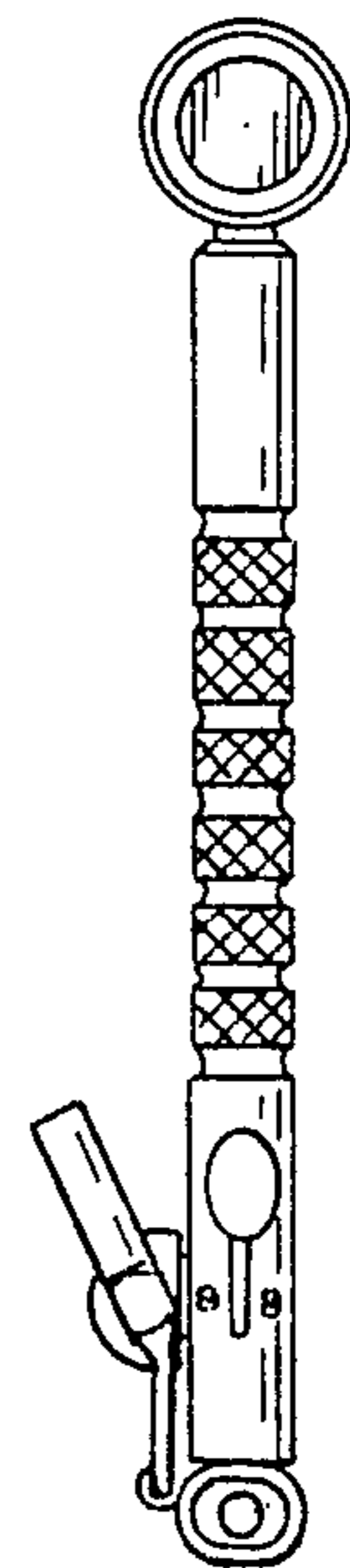


FIG. 3

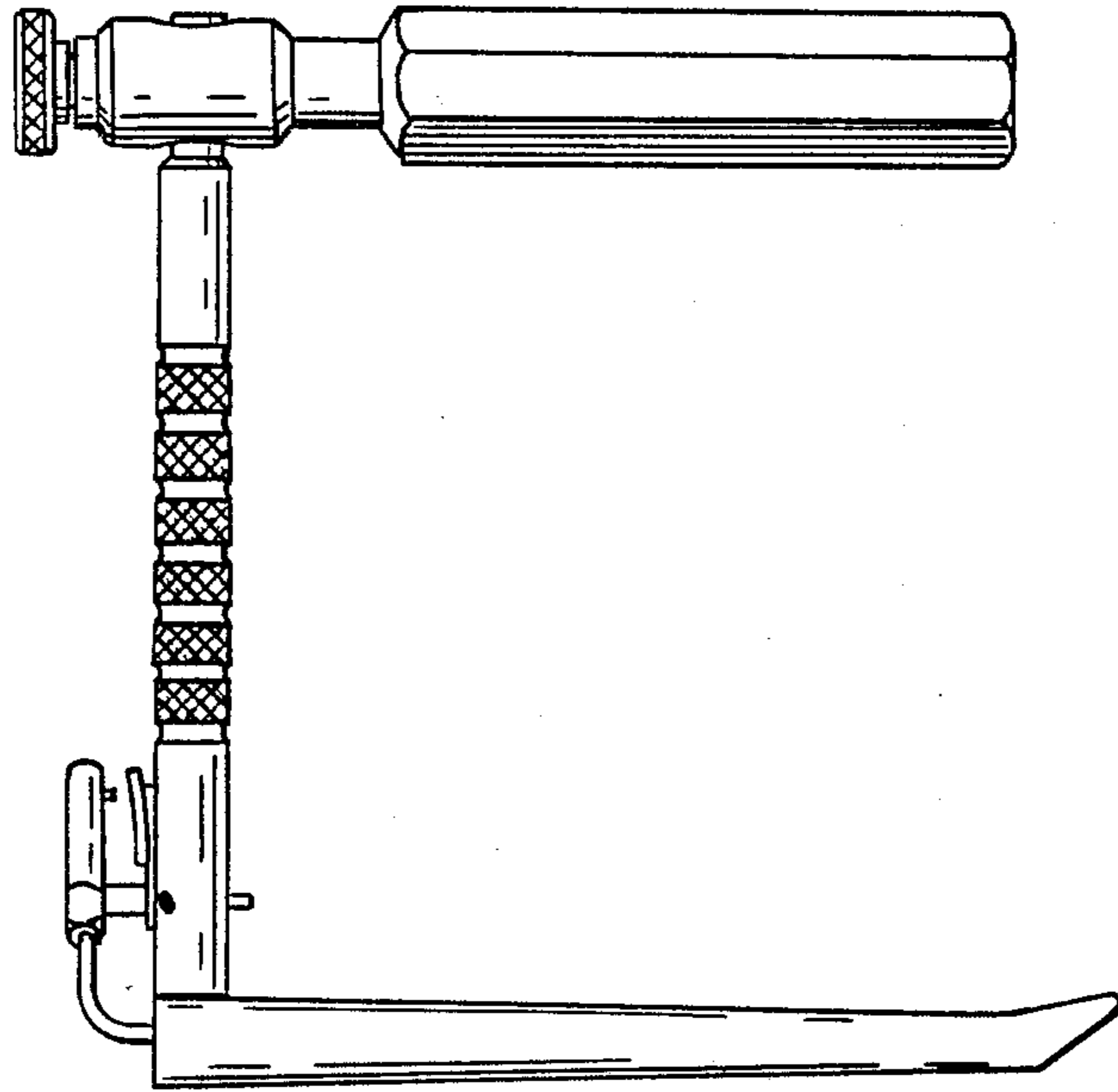


FIG. 5

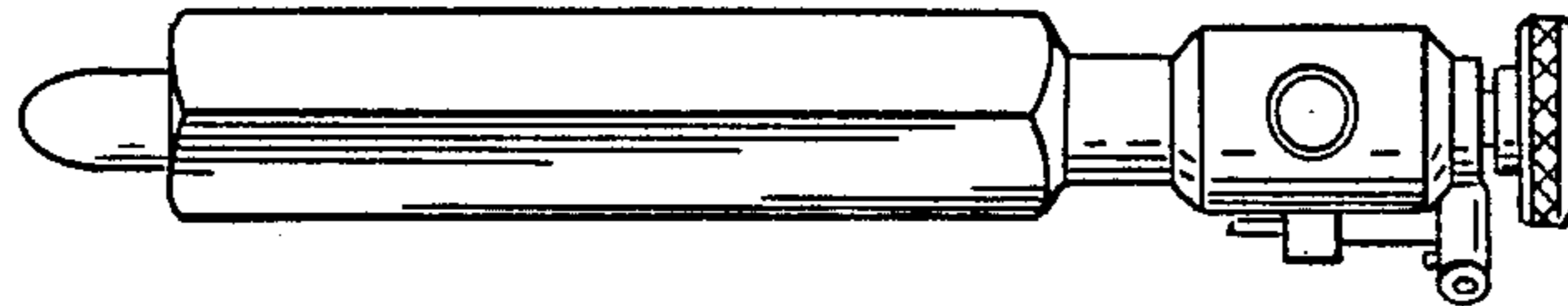
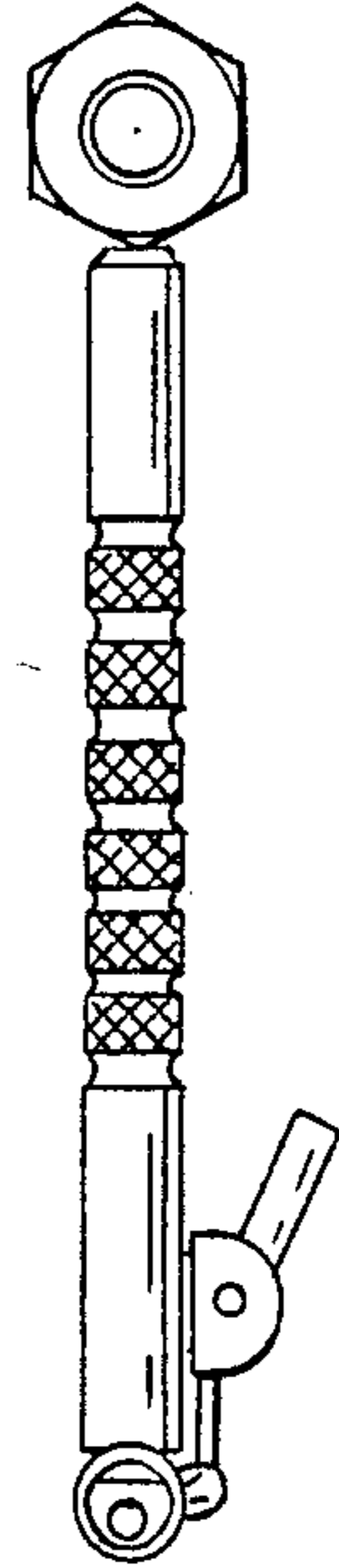


FIG. 6

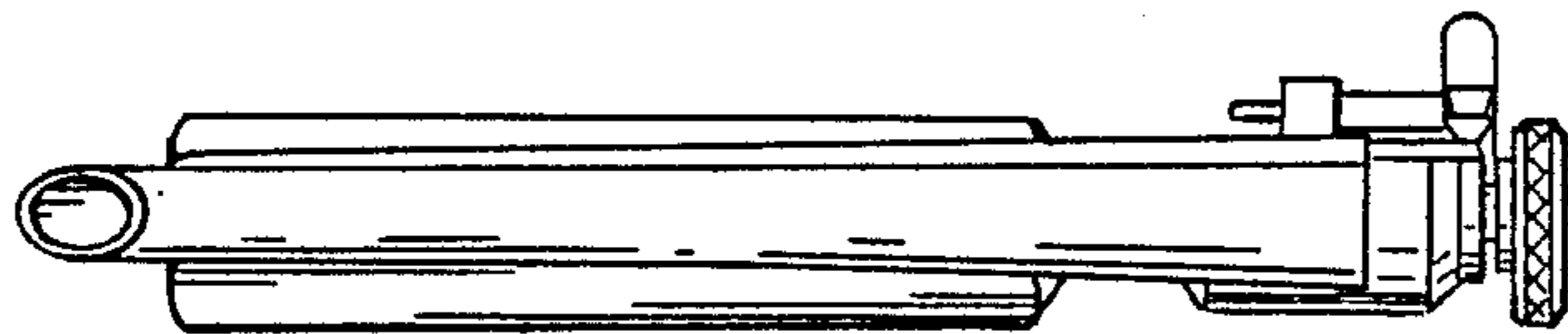


FIG. 7